

Technical Data

DIODE



maximum ratings

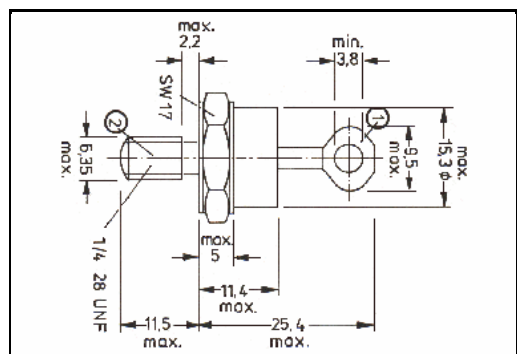
Voltage, Reverse (VR)	800.0	V	NO.	40HFR80
Voltage, Reverse Peak (VRM)	800.0	V	TYPE	SI - RECTIFIER
Current at VR = 0V (IO)		A		
Current Average Rectified (IF)	40.0	A		
Current Surge Peak (IFM)		A	CASE	DO-5_UNF
Current, Surge (IFM) at tp = 8.3 ms	500.0	A		ANODE-TO-CASE
Max. Power Dissipation (PT) at TC = 25 °C		W		
Max. Thermal Resistance (Rth J-C)	0.9	°C/W		
Max. Junction Temperature (TJ)	200.0	°C		

PERFORMANCE CHARACTERISTICS at T_c = 25°C, unless otherwise noted

NO.	SYMBOL	CONDITIONS	MIN.	MAX.	UNITS
1.	VF	IF = 63.0 A, TJ = 150.0° C (1)	-	1.15	V
2.	IR	VR = 800.0 V	-	30.0	μA
3.	IR	VR = 800.0 V, TC = 150.0° C	-	3.0	mA
4.					
5.					
6.					
7.					
8.					
9.					
10.					
11.					
12.					
13.					
14.					
15.					
16.					
17.					
18.					
19.					
20.					

Notes (1) pulse-tested tp ≤ 300 μs, duty cycle ≤ 2 %

DIMENSIONS in mm



Marking 40HFR80
 Customer GENERAL PURPOSE