



General Specifications

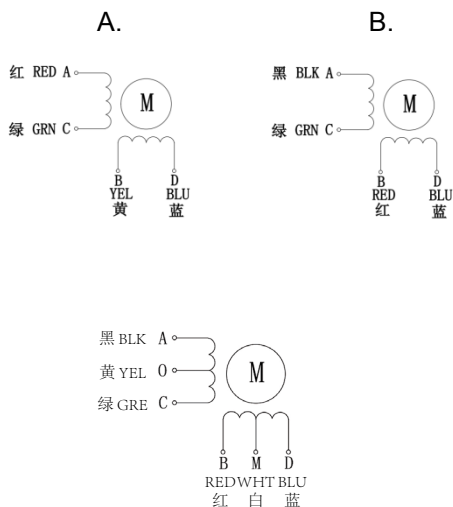
Step Accuracy	± 5%
Temperature Rise	80 °C Max
Insulation Resistance	100MΩ Min.500VC DC
Ambient Temperature	-20°C~+50°C
Dielectric Strength	500VAC 1 minute
Max Radial Force	28N (20mm from front flange)
Max Axial Force	10N

Technical Specifications

Model	Step Angle (°/Step)	Lead Wire (NO.)	Voltage (V)	Current (A/Phase)	Resistance (Ω/Phase)	Inductance (mH/Phase)	Holding Torque (g.cm)	Motor Height L (mm)	Motor Weight (Kg)
42BYGH208-52A	1.8	4	12	0.4	30	42	2500	34	0.20
42BYGH243-03		4	2.6	1	2.6	3.2	1800	34	0.20
42BYGH622-28A		4	4.8	1	4.8	6.0	2900	40	0.24
42BYGH613-68A		4	2.5	1.7	1.5	2.5	3500	40	0.24
42BYGH705-07		4	12	0.3	40	80	4000	44	0.30
42BYGH721A		6	10	0.25	40	36	2000	44	0.30
42BYGH801-36		6	12	0.4	30	22	3800	48	0.34
42BYGH872A		4	2.8	1.7	1.65	2.8	4500	48	0.34
42BYGH910-02		4	5.1	1.5	3.4	8.0	8500	60	0.49
42BYGH905-13		4	3.15	1.5	2.1	5.0	6800	60	0.49

* Products can be customized by special request.

Wiring Diagram



Mechanical Dimension

