



## General Specifications

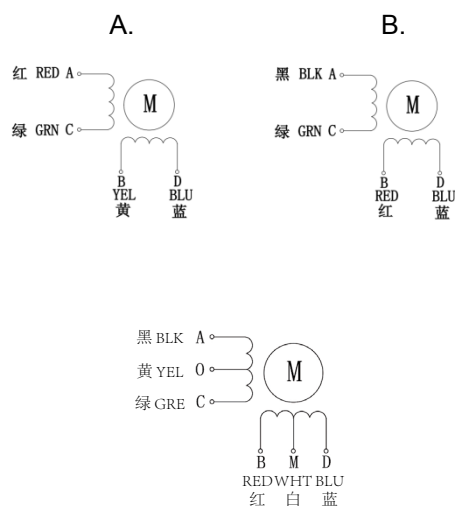
Step Accuracy	± 5%
Temperature Rise	80 °C Max
Insulation Resistance	100MΩ Min.500VC DC
Ambient Temperature	-20°C~+50°C
Dielectric Strength	500VAC 1 minute
Max Radial Force	28N (20mm from front flange)
Max Axial Force	10N

## Technical Specifications

Model	Step Angle (°/Step)	Lead Wire (NO.)	Voltage (V)	Current (A/Phase)	Resistance (Ω/Phase)	Inductance (mH/Phase)	Holding Torque (g.cm)	Motor Height L (mm)	Motor Weight (Kg)
42BYGHM203	0.9	4	10	0.5	20	40	2100	34	0.20
42BYGHM213-07A			8	1	8.0	13	2200	34	0.20
42BYGHM607-16			2.6	1.7	1.5	3.2	3200	40	0.24
42BYGHM619-08			11.2	0.4	28	60	2800	40	0.24
42BYGHM805			3.5	1	3.5	7.6	3700	48	0.34
42BYGHM810			2.4	2.4	1.0	1.8	4800	48	0.34

\* Products can be customized by special request.

## Wiring Diagram



## Mechanical Dimension

