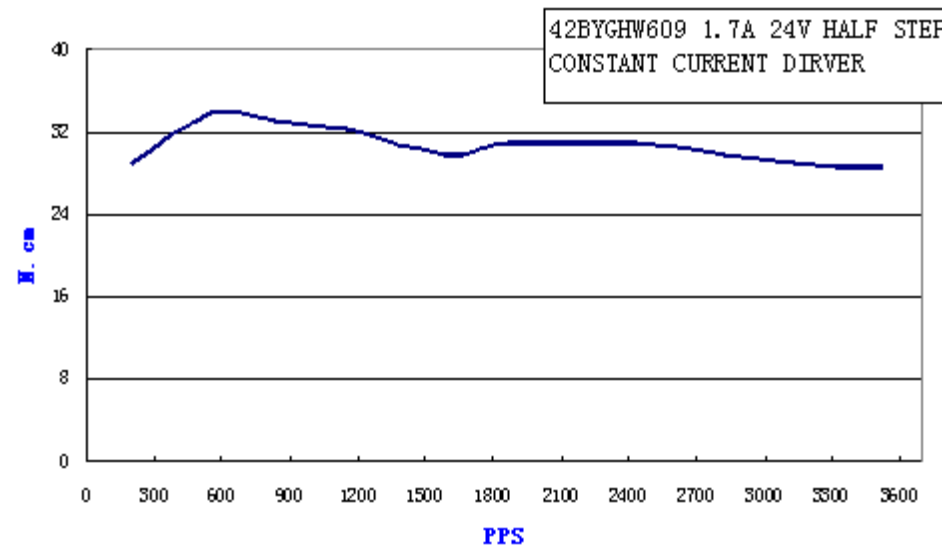
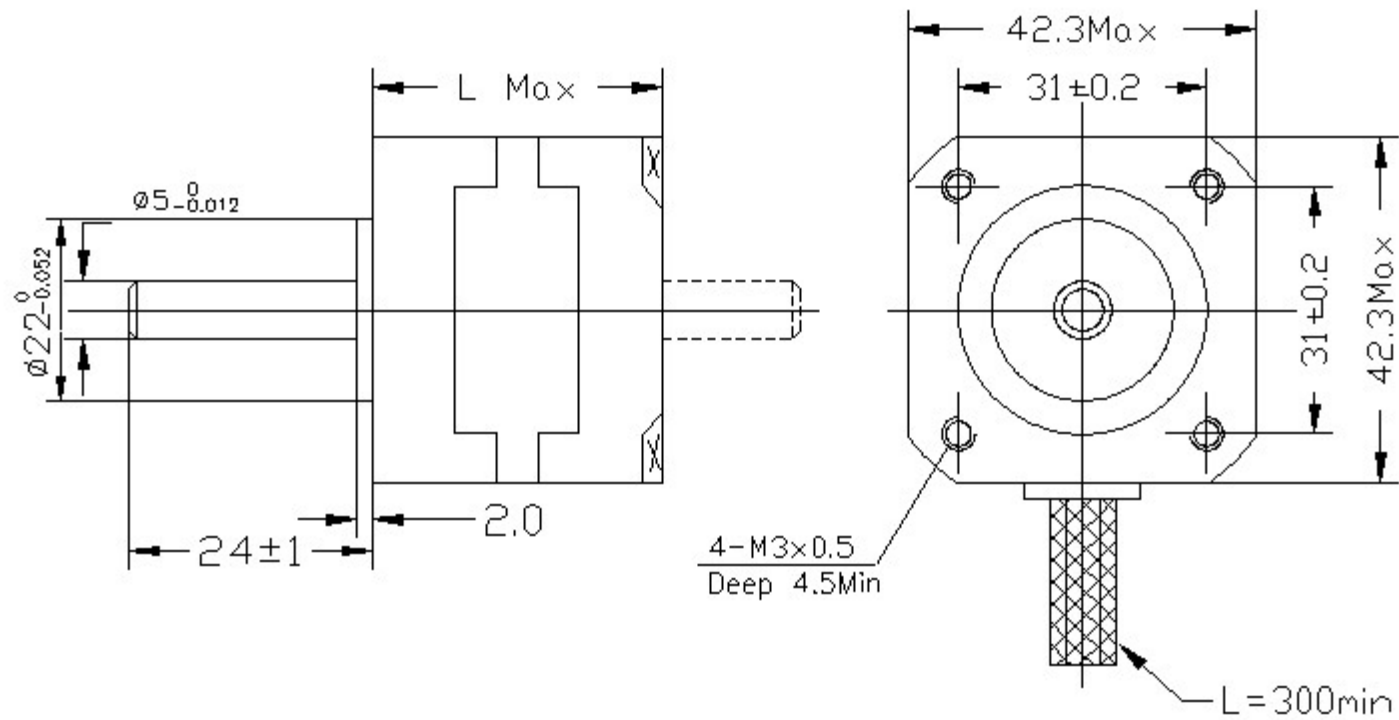


42BYGHW609 Stepper Motor Datasheet



Model	Step Angle (°)	Motor Length L(mm)	Rate Voltage (V)	Rate Current (A)	Phase Resistance (Ω)	Phase Inductance (mH)	Holding Torque (g.cm)	Lead Wire (NO.)	Rotor Inertia (g.cm ²)	Detent Torque (g.cm)	Motor Weight (kg)
42BYGHW609	1.8	40	3.4	1.7	2	3	4000	4	54	220	0.24

Mechanical Dimensions(外型图)



Wiring diagram (接线图):

