



North/Latin America
Europe/Africa
Asia/Oceania

Internal Use Only

<http://aic.lgservice.com>
<http://eic.lgservice.com>
<http://biz.lgservice.com>

LED LCD TV

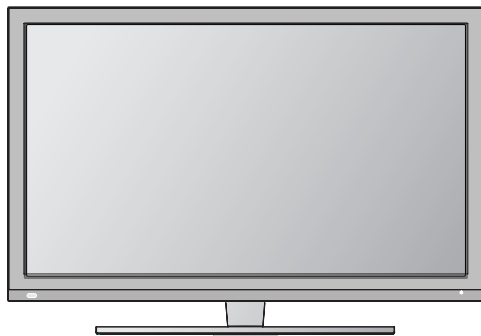
SERVICE MANUAL

CHASSIS : LB91L

MODEL : 42SL90QD 42SL90QD-AA

CAUTION

BEFORE SERVICING THE CHASSIS,
READ THE SAFETY PRECAUTIONS IN THIS MANUAL.



CONTENTS

CONTENTS	2
PRODUCT SAFETY	3
SPECIFICATION	6
ADJUSTMENT INSTRUCTION	9
BLOCK DIAGRAM.....	13
EXPLODED VIEW	14
SVC. SHEET	

SAFETY PRECAUTIONS

IMPORTANT SAFETY NOTICE

Many electrical and mechanical parts in this chassis have special safety-related characteristics. These parts are identified by \triangle in the Schematic Diagram and Exploded View.

It is essential that these special safety parts should be replaced with the same components as recommended in this manual to prevent Shock, Fire, or other Hazards.

Do not modify the original design without permission of manufacturer.

General Guidance

An **isolation Transformer should always be used** during the servicing of a receiver whose chassis is not isolated from the AC power line. Use a transformer of adequate power rating as this protects the technician from accidents resulting in personal injury from electrical shocks.

It will also protect the receiver and its components from being damaged by accidental shorts of the circuitry that may be inadvertently introduced during the service operation.

If any fuse (or Fusible Resistor) in this TV receiver is blown, replace it with the specified.

When replacing a high wattage resistor (Oxide Metal Film Resistor, over 1W), keep the resistor 10mm away from PCB.

Keep wires away from high voltage or high temperature parts.

Before returning the receiver to the customer,

always perform an **AC leakage current check** on the exposed metallic parts of the cabinet, such as antennas, terminals, etc., to be sure the set is safe to operate without damage of electrical shock.

Leakage Current Cold Check(Antenna Cold Check)

With the instrument AC plug removed from AC source, connect an electrical jumper across the two AC plug prongs. Place the AC switch in the on position, connect one lead of ohm-meter to the AC plug prongs tied together and touch other ohm-meter lead in turn to each exposed metallic parts such as antenna terminals, phone jacks, etc.

If the exposed metallic part has a return path to the chassis, the measured resistance should be between $1M\Omega$ and $5.2M\Omega$.

When the exposed metal has no return path to the chassis the reading must be infinite.

An other abnormality exists that must be corrected before the receiver is returned to the customer.

Leakage Current Hot Check (See below Figure)

Plug the AC cord directly into the AC outlet.

Do not use a line Isolation Transformer during this check.

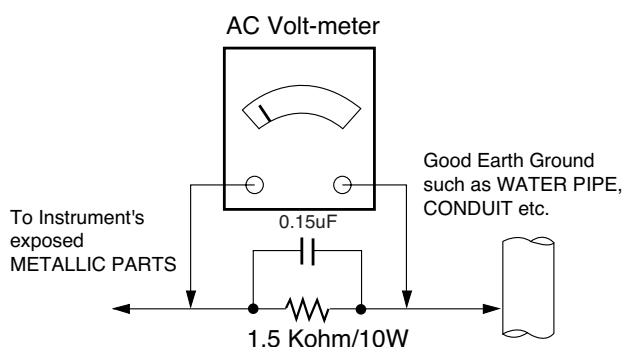
Connect 1.5K/10watt resistor in parallel with a 0.15uF capacitor between a known good earth ground (Water Pipe, Conduit, etc.) and the exposed metallic parts.

Measure the AC voltage across the resistor using AC voltmeter with 1000 ohms/volt or more sensitivity.

Reverse plug the AC cord into the AC outlet and repeat AC voltage measurements for each exposed metallic part. Any voltage measured must not exceed 0.75 volt RMS which corresponds to 0.5mA.

In case any measurement is out of the limits specified, there is possibility of shock hazard and the set must be checked and repaired before it is returned to the customer.

Leakage Current Hot Check circuit



SERVICING PRECAUTIONS

CAUTION: Before servicing receivers covered by this service manual and its supplements and addenda, read and follow the SAFETY PRECAUTIONS on page 3 of this publication.

NOTE: If unforeseen circumstances create conflict between the following servicing precautions and any of the safety precautions on page 3 of this publication, always follow the safety precautions. Remember: Safety First.

General Servicing Precautions

1. Always unplug the receiver AC power cord from the AC power source before;
 - a. Removing or reinstalling any component, circuit board module or any other receiver assembly.
 - b. Disconnecting or reconnecting any receiver electrical plug or other electrical connection.
 - c. Connecting a test substitute in parallel with an electrolytic capacitor in the receiver.
CAUTION: A wrong part substitution or incorrect polarity installation of electrolytic capacitors may result in an explosion hazard.
2. Test high voltage only by measuring it with an appropriate high voltage meter or other voltage measuring device (DVM, FETVOM, etc) equipped with a suitable high voltage probe. Do not test high voltage by "drawing an arc".
3. Do not spray chemicals on or near this receiver or any of its assemblies.
4. Unless specified otherwise in this service manual, clean electrical contacts only by applying the following mixture to the contacts with a pipe cleaner, cotton-tipped stick or comparable non-abrasive applicator; 10% (by volume) Acetone and 90% (by volume) isopropyl alcohol (90%-99% strength)
CAUTION: This is a flammable mixture.
Unless specified otherwise in this service manual, lubrication of contacts is not required.
5. Do not defeat any plug/socket B+ voltage interlocks with which receivers covered by this service manual might be equipped.
6. Do not apply AC power to this instrument and/or any of its electrical assemblies unless all solid-state device heat sinks are correctly installed.
7. Always connect the test receiver ground lead to the receiver chassis ground before connecting the test receiver positive lead.
Always remove the test receiver ground lead last.
8. Use with this receiver only the test fixtures specified in this service manual.
CAUTION: Do not connect the test fixture ground strap to any heat sink in this receiver.

Electrostatically Sensitive (ES) Devices

Some semiconductor (solid-state) devices can be damaged easily by static electricity. Such components commonly are called Electrostatically Sensitive (ES) Devices. Examples of typical ES devices are integrated circuits and some field-effect transistors and semiconductor "chip" components. The following techniques should be used to help reduce the incidence of component damage caused by static by static electricity.

1. Immediately before handling any semiconductor component or semiconductor-equipped assembly, drain off any electrostatic charge on your body by touching a known earth ground. Alternatively, obtain and wear a commercially available discharging wrist strap device, which should be removed to prevent potential shock reasons prior to applying power to the

unit under test.

2. After removing an electrical assembly equipped with ES devices, place the assembly on a conductive surface such as aluminum foil, to prevent electrostatic charge buildup or exposure of the assembly.
3. Use only a grounded-tip soldering iron to solder or unsolder ES devices.
4. Use only an anti-static type solder removal device. Some solder removal devices not classified as "anti-static" can generate electrical charges sufficient to damage ES devices.
5. Do not use freon-propelled chemicals. These can generate electrical charges sufficient to damage ES devices.
6. Do not remove a replacement ES device from its protective package until immediately before you are ready to install it. (Most replacement ES devices are packaged with leads electrically shorted together by conductive foam, aluminum foil or comparable conductive material).
7. Immediately before removing the protective material from the leads of a replacement ES device, touch the protective material to the chassis or circuit assembly into which the device will be installed.
CAUTION: Be sure no power is applied to the chassis or circuit, and observe all other safety precautions.
8. Minimize bodily motions when handling unpackaged replacement ES devices. (Otherwise harmless motion such as the brushing together of your clothes fabric or the lifting of your foot from a carpeted floor can generate static electricity sufficient to damage an ES device.)

General Soldering Guidelines

1. Use a grounded-tip, low-wattage soldering iron and appropriate tip size and shape that will maintain tip temperature within the range or 500°F to 600°F.
2. Use an appropriate gauge of RMA resin-core solder composed of 60 parts tin/40 parts lead.
3. Keep the soldering iron tip clean and well tinned.
4. Thoroughly clean the surfaces to be soldered. Use a mall wire-bristle (0.5 inch, or 1.25cm) brush with a metal handle. Do not use freon-propelled spray-on cleaners.
5. Use the following unsoldering technique
 - a. Allow the soldering iron tip to reach normal temperature. (500°F to 600°F)
 - b. Heat the component lead until the solder melts.
 - c. Quickly draw the melted solder with an anti-static, suction-type solder removal device or with solder braid.
CAUTION: Work quickly to avoid overheating the circuit board printed foil.
6. Use the following soldering technique.
 - a. Allow the soldering iron tip to reach a normal temperature (500°F to 600°F)
 - b. First, hold the soldering iron tip and solder the strand against the component lead until the solder melts.
 - c. Quickly move the soldering iron tip to the junction of the component lead and the printed circuit foil, and hold it there only until the solder flows onto and around both the component lead and the foil.
CAUTION: Work quickly to avoid overheating the circuit board printed foil.
 - d. Closely inspect the solder area and remove any excess or splashed solder with a small wire-bristle brush.

IC Remove/Replacement

Some chassis circuit boards have slotted holes (oblong) through which the IC leads are inserted and then bent flat against the circuit foil. When holes are the slotted type, the following technique should be used to remove and replace the IC. When working with boards using the familiar round hole, use the standard technique as outlined in paragraphs 5 and 6 above.

Removal

1. Desolder and straighten each IC lead in one operation by gently prying up on the lead with the soldering iron tip as the solder melts.
2. Draw away the melted solder with an anti-static suction-type solder removal device (or with solder braid) before removing the IC.

Replacement

1. Carefully insert the replacement IC in the circuit board.
2. Carefully bend each IC lead against the circuit foil pad and solder it.
3. Clean the soldered areas with a small wire-bristle brush. (It is not necessary to reapply acrylic coating to the areas).

"Small-Signal" Discrete Transistor

Removal/Replacement

1. Remove the defective transistor by clipping its leads as close as possible to the component body.
2. Bend into a "U" shape the end of each of three leads remaining on the circuit board.
3. Bend into a "U" shape the replacement transistor leads.
4. Connect the replacement transistor leads to the corresponding leads extending from the circuit board and crimp the "U" with long nose pliers to insure metal to metal contact then solder each connection.

Power Output, Transistor Device

Removal/Replacement

1. Heat and remove all solder from around the transistor leads.
2. Remove the heat sink mounting screw (if so equipped).
3. Carefully remove the transistor from the heat sink of the circuit board.
4. Insert new transistor in the circuit board.
5. Solder each transistor lead, and clip off excess lead.
6. Replace heat sink.

Diode Removal/Replacement

1. Remove defective diode by clipping its leads as close as possible to diode body.
2. Bend the two remaining leads perpendicular y to the circuit board.
3. Observing diode polarity, wrap each lead of the new diode around the corresponding lead on the circuit board.
4. Securely crimp each connection and solder it.
5. Inspect (on the circuit board copper side) the solder joints of the two "original" leads. If they are not shiny, reheat them and if necessary, apply additional solder.

Fuse and Conventional Resistor

Removal/Replacement

1. Clip each fuse or resistor lead at top of the circuit board hollow stake.
2. Securely crimp the leads of replacement component around notch at stake top.
3. Solder the connections.

CAUTION: Maintain original spacing between the replaced component and adjacent components and the circuit board to prevent excessive component temperatures.

Circuit Board Foil Repair

Excessive heat applied to the copper foil of any printed circuit board will weaken the adhesive that bonds the foil to the circuit board causing the foil to separate from or "lift-off" the board. The following guidelines and procedures should be followed whenever this condition is encountered.

At IC Connections

To repair a defective copper pattern at IC connections use the following procedure to install a jumper wire on the copper pattern side of the circuit board. (Use this technique only on IC connections).

1. Carefully remove the damaged copper pattern with a sharp knife. (Remove only as much copper as absolutely necessary).
2. Carefully scratch away the solder resist and acrylic coating (if used) from the end of the remaining copper pattern.
3. Bend a small "U" in one end of a small gauge jumper wire and carefully crimp it around the IC pin. Solder the IC connection.
4. Route the jumper wire along the path of the out-away copper pattern and let it overlap the previously scraped end of the good copper pattern. Solder the overlapped area and clip off any excess jumper wire.

At Other Connections

Use the following technique to repair the defective copper pattern at connections other than IC Pins. This technique involves the installation of a jumper wire on the component side of the circuit board.

1. Remove the defective copper pattern with a sharp knife. Remove at least 1/4 inch of copper, to ensure that a hazardous condition will not exist if the jumper wire opens.
2. Trace along the copper pattern from both sides of the pattern break and locate the nearest component that is directly connected to the affected copper pattern.
3. Connect insulated 20-gauge jumper wire from the lead of the nearest component on one side of the pattern break to the lead of the nearest component on the other side. Carefully crimp and solder the connections.
CAUTION: Be sure the insulated jumper wire is dressed so the it does not touch components or sharp edges.

SPECIFICATION

NOTE : Specifications and others are subject to change without notice for improvement.

1. Application Range

This specification sheet is applied to the LCD TV used LB91L chassis.

3. Test method

- 1) Performance : LGE TV test method followed.
- 2) Demanded other specification
 - Safety : CE, IEC specification
 - EMC : CE, IEC specification

2. Specification

Each part is tested as below without special appointment

- 1) Temperature : $25 \pm 5^{\circ}\text{C}$ ($77 \pm 9^{\circ}\text{F}$), CST : $40 \pm 5^{\circ}\text{C}$
- 2) Relative Humidity : $65 \pm 10\%$
- 3) Power Voltage : Standard input voltage(100-240V@ 50/60Hz)
 - * Standard Voltage of each products is marked by models
- 4) Specification and performance of each parts are followed each drawing and specification by part number in accordance with BOM.
- 5) The receiver must be operated for about 20 minutes prior to the adjustment.

4. Module Specification

No.	Item	Specification	Remark
1.	Display Screen Device	42 wide Color Display Module	LCD
2.	Aspect Ratio	16:9	
3.	LCD Module	42" TFT LCD FHD, 200Hz	
4.	Operating Environment	Temp.: 0 ~ 50°C	
		Humidity : 10 ~ 90%	
5.	Storage Environment	Temp. : -20 ~ 60 deg	
6.	Input Voltage	AC 100-240V~, 50/60Hz	
7.	Power Consumption	Power on (White)	LCD(Module)+Backlight(Lamp)
		Typ :154, Max :168	
8.	Module Size	973.2 (H)x 566.2 (V)x 11.9(B)/25.5 mm(D)	
9.	Pixel Pitch	0.4845 (H)x 0.4845 (V)	
10.	Back Light	LED	
11.	Color Depth	1.06B Colors (10bit)	
12.	Coating	3H	

5. MODEL General Specification

No	Item	Specification		Remarks	
1	Market	Australia/ New Zealand/ Singapore			
2	Broadcasting system	Digital	DVB-T	VHF 06-12 , UHF 27-69	Australia
				UHF 21-69	New Zealand, Singapore
		Analog	1) PAL-B/B 2) PAL-BG 3) PAL-I 4) PAL-DK	VHF/UHF 0-75 , CATV 2-44	Australia
				VHF/UHF 1-69 , CATV 01-47	New Zealand Singapore
				VHF/UHF 1-69 , CATV 01-47	
3	Receiving system	Analog : Upper Heterodyne Digital : COFDM,QAM			
4	Video Input RCA(2EA)	PAL,NTSC		2 System :PAL,NTSC	
5	Component Input (2EA)	Y/Cb/Cr, Y/Pb/Pr			
6	RGB Input	RGB-PC		Analog(D-SUB 15PIN)	
7	HDMI Input (4EA)	HDMI1-DTV/DVI		PC(HDMI version 1.3)/DTV format,Support HDCP	
		HDMI2-DTV		DTV format,Support HDCP	
		HDMI3-DTV		DTV format,Support HDCP	
		HDMI4-DTV		DTV format,Support HDCP	
8	Audio Input (4EA)	RGB/DVI Audio, Component 1/2, AV		RGB/DVI Audio :Stereo Phone Jack Others :RCA Jack	
9	SDPIF out (1EA)	Optical Audio out			
10	USB (1EA)	USB2.0		JPEG, MP3, DivX and SVC (download)	

6. Component Video Input (Y, P_B, P_R)

No.	Specification			Remark
	Resolution	H-freq(kHz)	V-freq(Hz)	
1.	720x480	15.73	60.00	SDTV,DVD 480i
2.	720x480	15.63	59.94	SDTV,DVD 480i
3.	720x480	31.47	59.94	480p
4.	720x480	31.50	60.00	480p
5.	720x576	15.625	50.00	SDTV,DVD 625 Line
6.	720x576	31.25	50.00	HDTV 576p
7.	1280x720	45.00	50.00	HDTV 720p
8.	1280x720	44.96	59.94	HDTV 720p
9.	1280x720	45.00	60.00	HDTV 720p
10.	1920x1080	31.25	50.00	HDTV 1080i
11.	1920x1080	33.75	60.00	HDTV 1080i
12.	1920x1080	33.72	59.94	HDTV 1080i
13.	1920x1080	56.250	50	HDTV 1080p
14.	1920x1080	67.43/67.5	59.94/60	HDTV 1080p

7. RGB input (PC)

No.	Specification					Remark
	Resolution	H-freq(kHz)	V-freq(Hz)	Pixel clock(MHz)	Proposed	
1.	720*400	31.468	70.08			For only DOS mode
2.	640*480	31.469	59.94			Input 848*480 60Hz, 852*480 60Hz -> 640*480 60Hz Display
3.	800*600	37.879	60.31			
4.	1024*768	48.363	60.00			
5.	1280*768	47.78	59.87			
6.	1360*768	47.72	59.8			
7.	1280*1024	63.595	60.0			
8.	1920*1080	66.587	59.93			
9.	1366*768	47.13	59.65			

8. HDMI input (PC/DTV)

No.	Resolution	H-freq(kHz)	V-freq(Hz)	Pixel clock(MHz)	Remark
	DTV				
1.	720*480	31.469 /31.5	59.94 /60	27.00/27.03	SDTV 480P
2.	720*576	31.25	50	54	SDTV 576P
3.	1280*720	37.500	50	74.25	HDTV 720P
4.	1280*720	44.96 /45.5	9.94 /60	74.17/74.25	HDTV 720P
5.	1920*1080	33.72 /33.75	59.94 /60	74.17/74.25	HDTV 1080I
6.	1920*1080	28.125	50.00	74.25	HDTV 1080I
7.	1920*1080	26.97 /27	23.97 /24	74.17/74.25	HDTV 1080P
8.	1920*1080	33.716 /33.75	29.976 /30.00	74.25	HDTV 1080P
9.	1920*1080	56.250	50	148.5	HDTV 1080P
10.	1920*1080	67.43 /67.5	59.94 /60	148.35/148.50	HDTV 1080P
	PC				
1.	720*400	31.468	70.08		For only DOS mode
2.	640*480	31.469	59.94		Input 848*640 60Hz, 852*480 60Hz -> 640*480 Display
3.	800*600	37.879	60.31		
4.	1024*768	48.363	60.00		
5.	1280*768	47.78	59.87		
6.	1360*768	47.72	59.8		
7.	1280*1024	63.595	60.00		
8.	1920*1080	66.587	59.93		
9.	1366*768	47.13	59.65		

ADJUSTMENT INSTRUCTION

1. Application

This spec. sheet is applied all of the LCD TV with LB91L chassis.

2. Designation

- (1) The adjustment is according to the order which is designated and which must be followed, according to the plan which can be changed only on agreeing.
- (2) Power adjustment : Free Voltage.
- (3) Magnetic Field Condition: Nil.
- (4) Input signal Unit: Product Specification Standard.
- (5) Reserve after operation: Above 5 Minutes (Heat Run)
Temperature : at 25 °C±5 °C
Relative humidity : 65 ±10%
Input voltage : 220V, 60Hz
- (6) Adjustment equipments : Color Analyzer (CA-210 or CA-110), Pattern Generator (MSPG-925L or Equivalent), DDC Adjustment Jig equipment, SVC remote controller.
- (7) Push The "IN STOP KEY" - For memory initialization.

Case1 : Software version up

1. After downloading S/W by USB , TV set will reboot automatically
2. Push "In-stop" key
3. Push "Power on" key
4. Function inspection
5. After function inspection, Push "In-stop" key.

Case2 : Function check at the assembly line

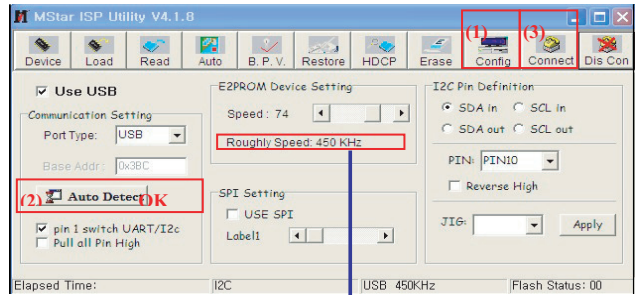
1. When TV set is entering on the assembly line, Push "In-stop" key at first.
2. Push "Power on" key for turning it on.
-> If you push "Power on" key, TV set will recover channel information by itself.
3. After function inspection, Push "In-stop" key.

3. Main PCB check process

* APC - After Manual-Insert, executing APC

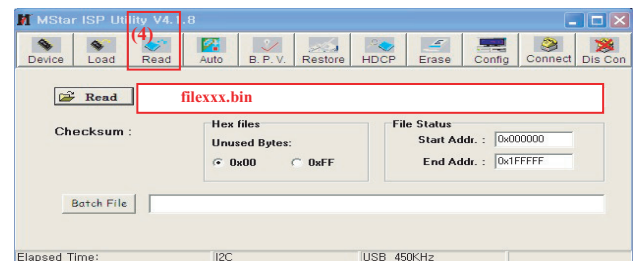
3-1. Boot file Download

- 1) Execute ISP program "Mstar ISP Utility" and then click "Config" tab.
- 2) Set as below, and then click "Auto Detect" and check "OK" message.
If "Error" is displayed, Check connection between computer, jig, and set.
- 3) Click "Read" tab, and then load download file (XXXX.bin) by clicking "Read".

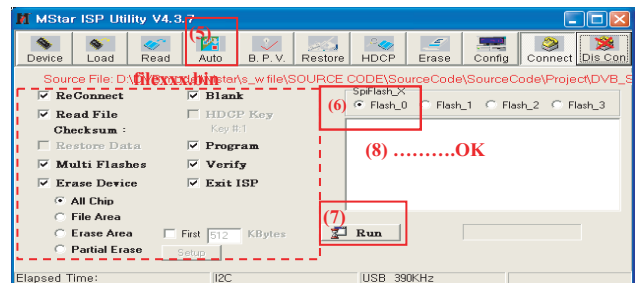


Please Check the Speed :
To use speed between
from 200KHz to 400KHz

- 4) Click "Connect" tab. If "Can't" is displayed, Check connection between computer, jig, and set.

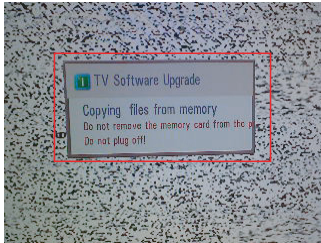


- 5) Click "Auto" tab and set as below
- 6) Click "Run".
- 7) After downloading, check "OK" message.

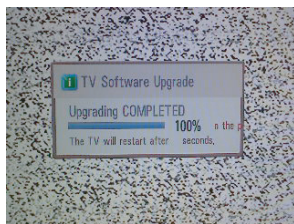
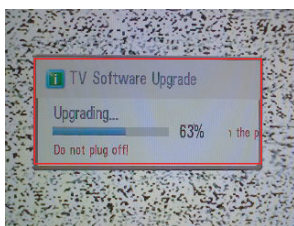


3-2. USB DOWNLOAD(*.epk file download)

- 1) Put the USB Stick to the USB socket
- 2) Automatically detecting update file in USB Stick
 - If your downloaded program version in USB Stick is Low, it didn't work. But your downloaded version is High, USB data is automatically detecting
- 3) Show the message "Copying files from memory"



- 4) Updating is starting.



- 5) Updating Completed, The TV will restart automatically.
- 6) If your TV is turned on, check your updated version and Tool option. (explain the Tool option, next stage)

* If downloading version is more high than your TV have, TV can lost all channel data. In this case, you have to channel recover. if all channel data is cleared, you didn't have a DTV/ATV test on production line.

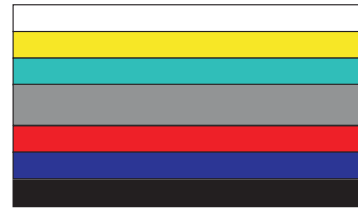
- * After downloading, have to adjust TOOL OPTION again.
- 1) Push "IN-START" key in service remote controller.
 - 2) Select "Tool Option 1" and Push "OK" button.
 - 3) Punch in the number. (Each model has their number.)

	Australia	New Zealand	Singapore	Indonesia
Tool Option 1	34499	34499	34499	34499
Tool Option 2	3140	3140	3140	3140
Tool Option 3	56230	56230	56230	56230
Tool Option 4	4384	4384	4384	4384
Country Group	AU	AU	SG	ID

- 4) Completed selecting Tool option.

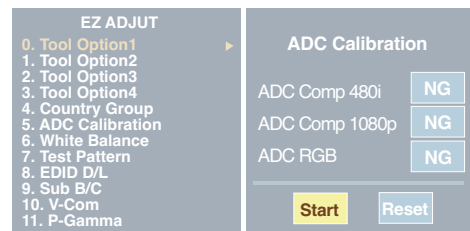
3-3. ADC Process

- Input signal : Component
- Signal equipment displays.



Adjustment pattern

- Component 480I
MODEL: 209 in Pattern Generator(480i Mode)
PATTERN : 65 in Pattern Generator(MSPG-925 Series)
- Input Signal :RGB(You don't need to connect RGB cable Because We use TV internal pattern)
- After enter Service Mode by pushing "ADJ" key,
- Enter Internal ADC mode by pushing "▶" key at "5. ADC Calibration"



* Caution : Using 'power on' button of the Adjustment R/C, power on TV.

* ADC Calibration Protocol (RS232)

NO	Item	CMD1	CMD2	Data0	
Enter Adjust Mode	Adjust 'Mode In'	A	A	0 0	When transfer the 'Mode In', Carry the command.
ADC adjust	ADC Adjust	A	D	1 0	Automatically adjustment (The use of a internal pattern)

- Adjust Sequence
 - aa 00 00 [Enter Adjust Mode]
 - xb 00 40 [Component1 Input (480i)]
 - ad 00 10 [Adjust 480i Comp1]
 - xb 00 60 [RGB Input (1024*768)]
 - ad 00 10 [Adjust 1024*768 RGB]
 - aa 00 90 End Adjust mode
- * Required equipment : Adjustment R/C.

3-4. Function Check

- Check Input and Signal items. (cf. work instructions)
 - 1) TV
 - 2) AV (CVBS)
 - 3) COMPONENT (480i)
 - 4) RGB (PC : 1024 x 768 @ 60hz)
 - 5) HDMI
 - 6) PC Audio In
- * Display and Sound check is executed by Remote control.
- * Caution : Not to push the INSTOP key after completion if the function inspection.

4. Total Assembly line process

4-1. Adjustment Preparation

- W/B Equipment condition
CA210 : CH 9, Test signal : Inner pattern (85IRE)
- Above 5 minutes H/run in the inner pattern. (Power on" key of adjust remote control)

	Minute	Cool	Medium	Warm
1	0~4	276/289	293/308	318/338
2	5~9	276/288	293/307	319/337
3	10~14	275/286	292/305	318/335
4	15~24	274/284	291/303	317/333
5	25~39	273/282	290/301	316/331
6	40~49	272/280	289/298	315/329
7	50~79	270/277	287/295	314/326
8	80~	269/273	285/293	312/324

- Connecting picture of the measuring instrument (On Automatic control)

Inside PATTERN is used when W/B is controlled. Connect to auto controller or push Adjustment R/C POWER-ON -> Enter the mode of White-Balance, the pattern will come out.

* Auto-control interface and directions

- Adjust in the place where the influx of light like floodlight around is blocked. (illumination is less than 10ux).
- Adhere closely the Color Analyzer (CA210) to the module less than 10cm distance, keep it with the surface of the Module and Color Analyzer's Probe vertically.(80~100°).
- Aging time
 - After aging start, keep the power on (no suspension of power supply) and heat-run over 15 minutes.
 - Using 'no signal' or 'full white pattern' or the others, check the back light on.

* Auto adjustment Map(RS-232C)

- RS-232C COMMAND
[CMD ID DATA]
Wb 00 00 White Balance Start
Wb 00 ff White Balance End

	RS-232C COMMAND [CMD ID DATA]			MIN	CENTER (DEFAULT)			MAX
	Cool	Mid	Warm		Cool	Mid	Warm	
R Gain	jd	Ja	jd	00	172	192	192	255
G Gain	jh	Jb	je	00	172	192	192	255
B Gain	ji	Jc	jf	00	192	192	172	255
R Cut					64	64	64	128
G Cut					64	64	64	128
B Cut					64	64	64	128

** Caution **

Color Temperature : COOL, Medium, Warm.
One of R Gain/G Gain/ B Gain should be kept on 0xC0, and adjust other two lower than C0.
(when R/G/B Gain are all C0, it is the FULL Dynamic Range of Module)

* Manual W/B process using adjusts Remote control.

- After enter Service Mode by pushing "ADJ" key,
- Enter White Balance by pushing "▶" key at "3. White Balance".



- After done all adjustments, Press "In-start" button and compare Tool option and Area option value with its BOM, if it is correctly same then unplug the AC cable.

If it is not same, then correct it same with BOM and unplug AC cable.

For correct it to the model's module from factory JIG model.

- Push the "IN STOP KEY" after completing the function inspection.

4-2. DDC EDID Write (RGB 128Byte)

- Connect D-sub Signal Cable to D-Sub Jack.
- Write EDID DATA to EEPROM (24C02) by using DDC2B protocol.
- Check whether written EDID data is correct or not.

* For SVC main Ass'y, EDID have to be downloaded to Insert Process in advance.

4-3. DDC EDID Write (HDMI 256Byte)

- Connect HDMI Signal Cable to HDMI Jack.
- Write EDID DATA to EEPROM(24C02) by using DDC2B protocol.
- Check whether written EDID data is correct or not.

* For SVC main Ass'y, EDID have to be downloaded to Insert Process in advance.

4-4. EDID DATA

- All Data : HEXA Value
- Changeable Data :
 - *: Serial No : Controlled / Data:01
 - ** : Month : Controlled / Data:00
 - ***: Year : Controlled
 - ****: Check sum

- Auto Download

- After enter Service Mode by pushing “ADJ” key,
- Enter EDID D/L mode.
- Enter “START” by pushing “OK” key.



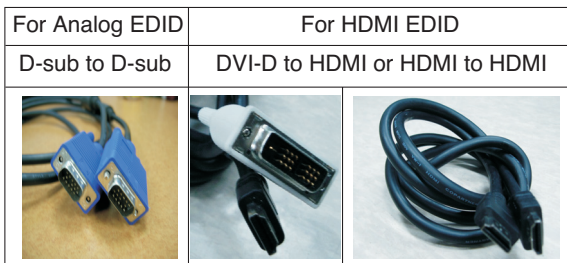
* Edid data and Model option download (RS232)

NO	Item	CMD1	CMD2	Data0	
Enter Download Mode	Adjust 'Mode In'	A	A	0 0	When transfer the 'Mode In', Carry the command.
EDID data Model option	Download	A	E	00 10	Automatically adjustment (The use of a internal pattern)

- Manual Download

* Caution

- Use the proper signal cable for EDID Download
 - Analog EDID : Pin3 exists
 - Digital EDID : Pin3 exists
- Never connect HDMI & D-sub Cable at the same time.
- Use the proper cables below for EDID Writing.
- Download HDMI1, HDMI2 separately because HDMI1 is different from HDMI2.



Item	Condition	Data(Hex)
Manufacturer ID	GSM	1E6D
Version	Digital : 1	01
Revision	Digital : 3	03

1) ANALOG DATA 128 Byte (2Bi)

	0	1	2	3	4	5	6	7	8	9	A	B	C	D	E	F
00	00	FF	FF	FF	FF	FF	FF	00	1E	6D	(a)	01	01	01	01	01
10	(b)	01	03	68	73	41	78	0A	CF	74	A3	57	4C	B0	23	
20	09	48	4C	A1	08	00	81	80	61	40	45	40	31	40	01	01
30	01	01	01	01	01	01	02	3A	80	18	71	38	2D	40	58	2C
40	45	00	7E	8A	42	00	00	1E	01	1D	00	72	51	D0	1E	20
50	6E	28	55	00	7E	8A	42	00	00	1E	00	00	00	FD	00	3A
60	3E	1E	53	10	00	0A	20	20	20	20	20	20	(c)			
70															00	(d)

2) DIGITAL DATA(HDMI-1/2) 256Byte

	0	1	2	3	4	5	6	7	8	9	A	B	C	D	E	F
00	00	FF	FF	FF	FF	FF	FF	00	1E	6D	(e)	01	01	01	01	01
10	(b)	01	03	80	73	41	78	0A	CF	74	A3	57	4C	B0	23	
20	09	48	4C	A1	08	00	81	80	61	40	45	40	31	40	01	01
30	01	01	01	01	01	01	02	3A	80	18	71	38	2D	40	58	2C
40	45	00	7E	8A	42	00	00	1E	01	1D	00	72	51	D0	1E	20
50	6E	28	55	00	7E	8A	42	00	00	1E	00	00	00	FD	00	3A
60	3E	1E	53	10	00	0A	20	20	20	20	20	20	(c)			
70															01	(d)
80	02	03	26	F1	4E	10	1F	84	13	05	14	03	02	12	20	21
90	22	15	01	26	15	07	50	09	57	07	(e)					
A0	(e)	E3	05	03	01	01	1D	80	18	71	1C	16	20	58	2C	
B0	25	00	7E	8A	42	00	00	9E	01	1D	00	80	51	D0	0C	20
C0	40	80	35	00	7E	8A	42	00	00	1E	02	3A	80	18	71	38
D0	2D	40	58	2C	45	00	7E	8A	42	00	00	1E	66	21	50	B0
E0	51	00	1B	30	40	70	36	00	7E	8A	42	00	00	1E	00	00
F0	00	00	00	00	00	00	00	00	00	00	00	00	00	00	00	(d)

- Detail EDID Options are below

MODEL NAME	HEX	EDID Table	DDC Function
FHD Model	0001	01 00	Analog/Digital

Month, Year: S/W Released day :

ex) Monthly : '09' -> '09'

Year : '2006' -> '10'

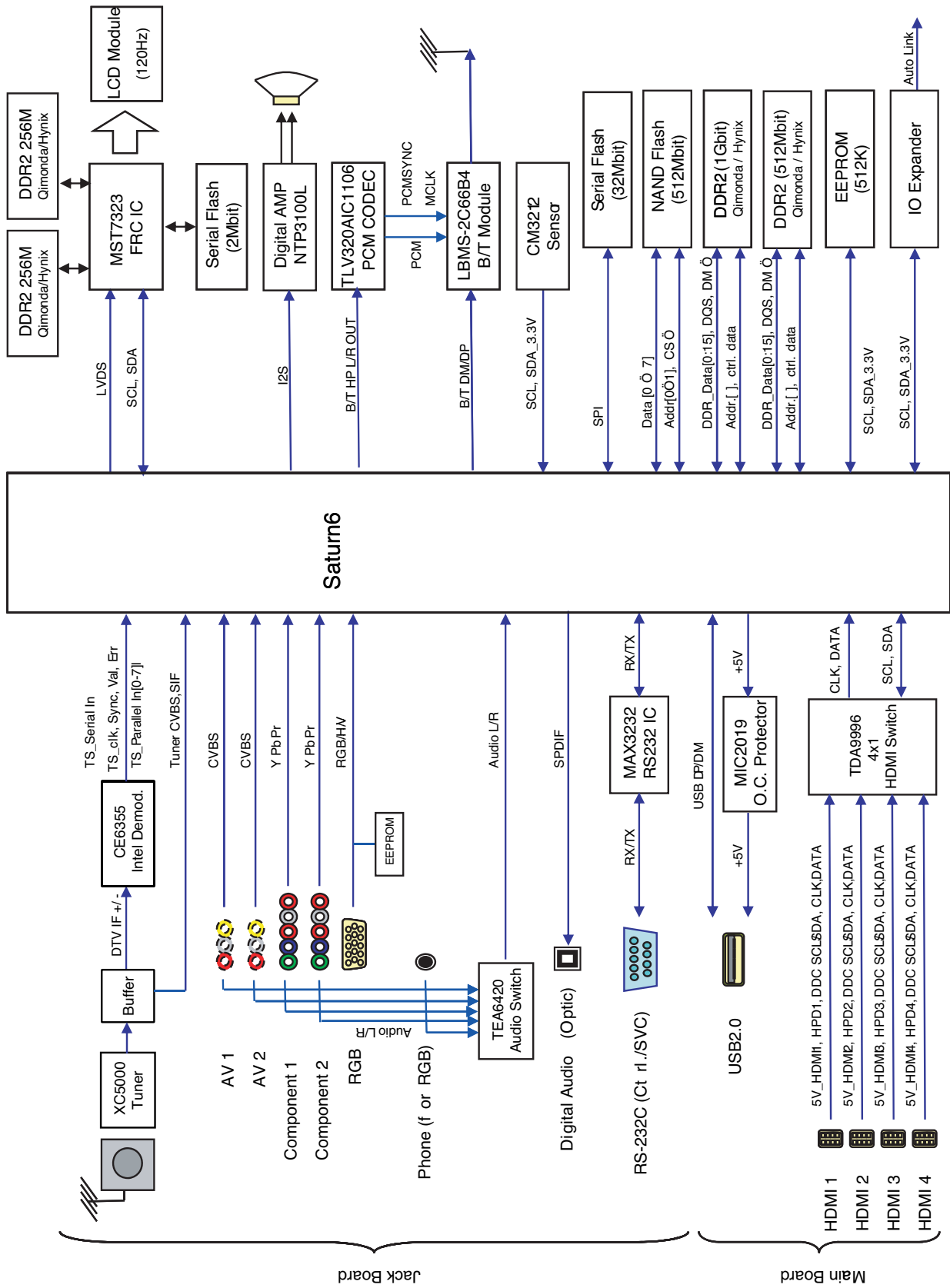
Model Name(Hex):

MODEL	MODEL NAME(HEX)
All	00 00 00 FC 00 4C 47 20 54 56 0A 20 20 20 20 20 20 (LG TV)

Checksum: Changeable by total EDID data.

Vendor Specific

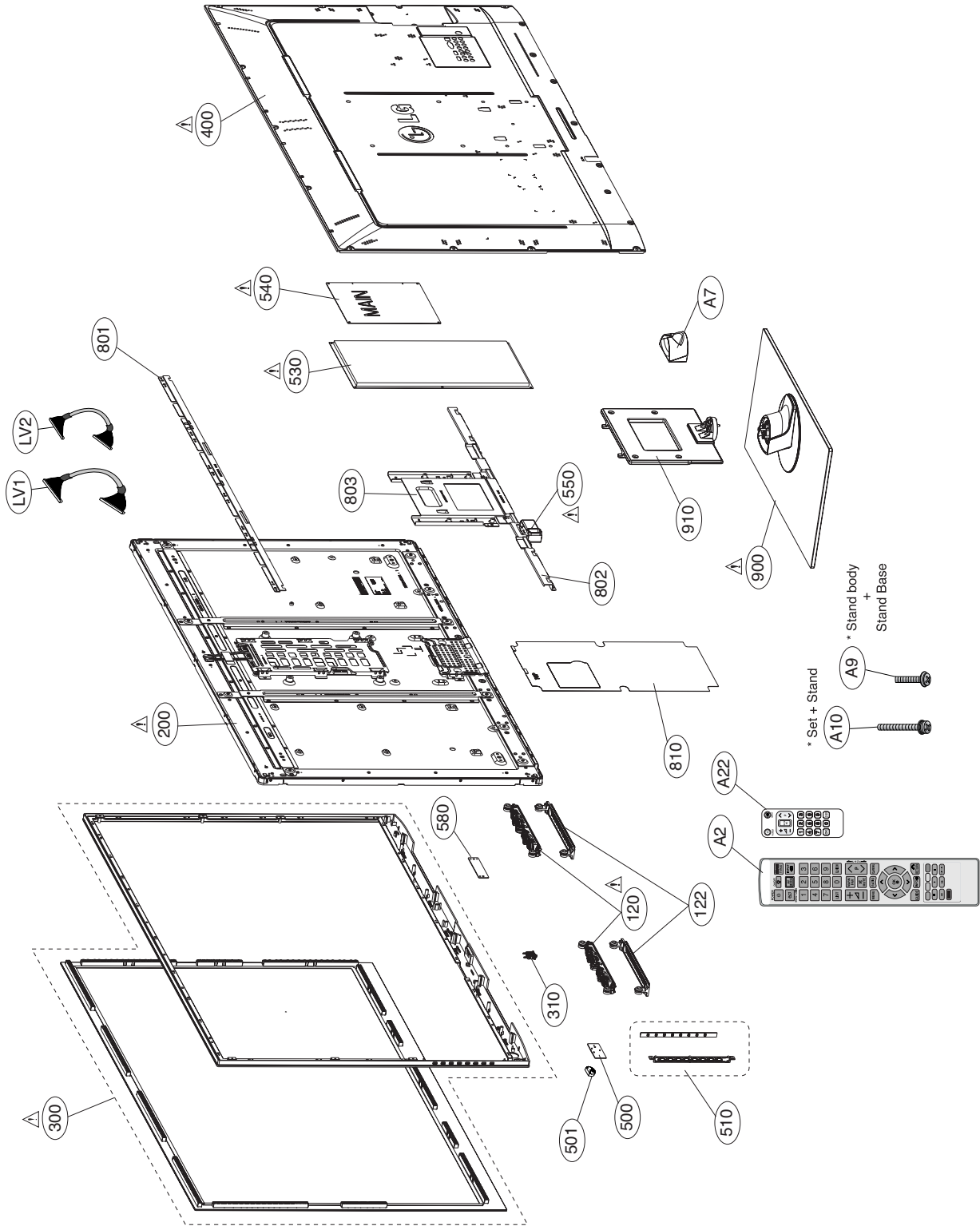
BLOCK DIAGRAM



EXPLODED VIEW

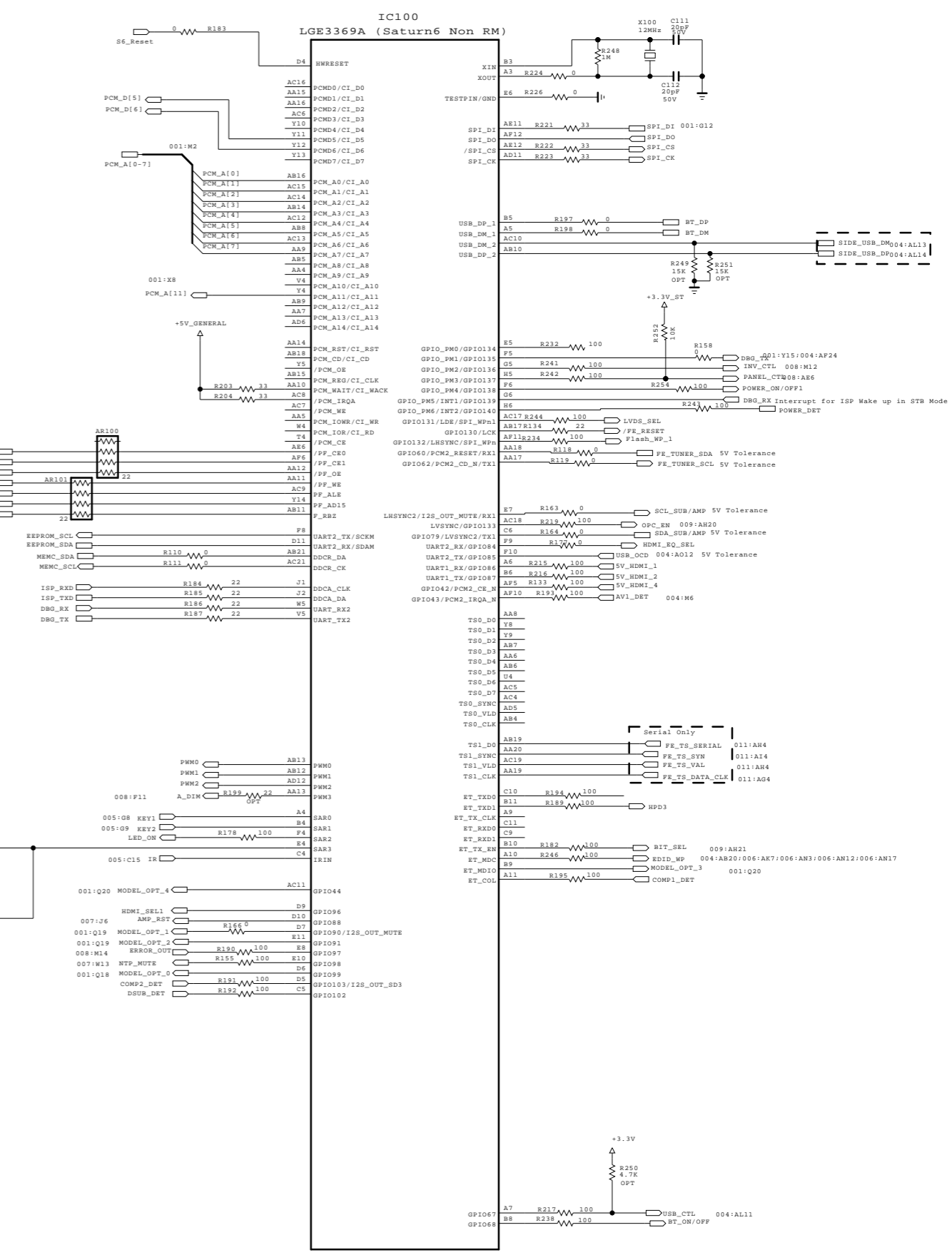
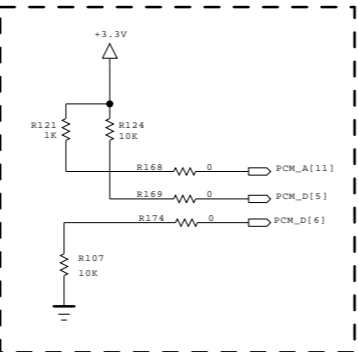
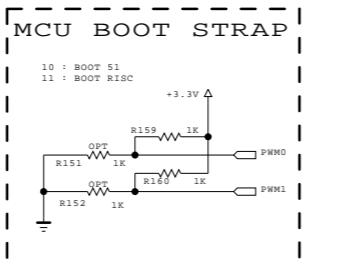
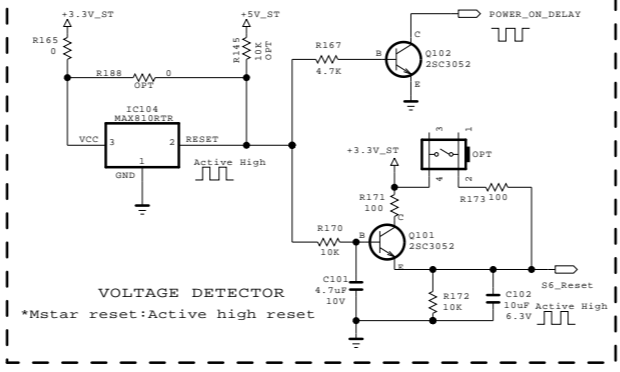
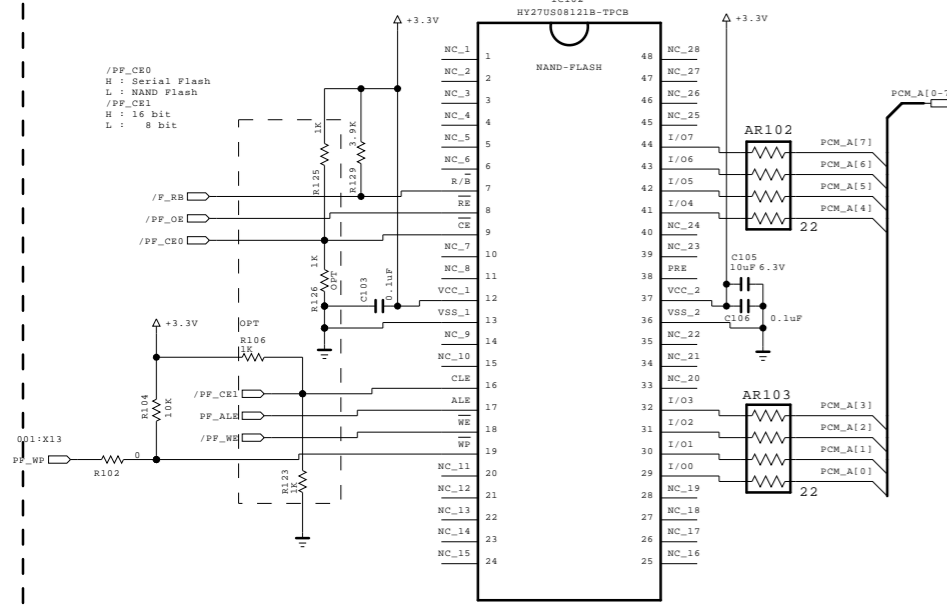
IMPORTANT SAFETY NOTICE

Many electrical and mechanical parts in this chassis have special safety-related characteristics. These parts are identified by Δ in the Schematic Diagram and EXPLODED VIEW. It is essential that these special safety parts should be replaced with the same components as recommended in this manual to prevent X-RADIATION, Shock, Fire, or other Hazards. Do not modify the original design without permission of manufacturer.

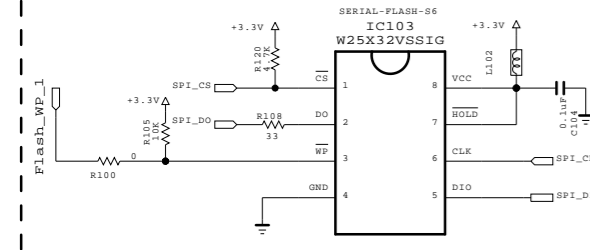


* Set + Stand
 A10
 * Stand body + Stand Base
 A9

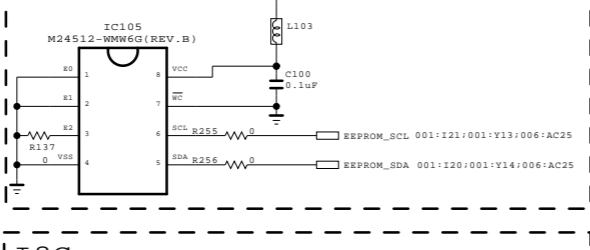
NAND FLASH MEMORY



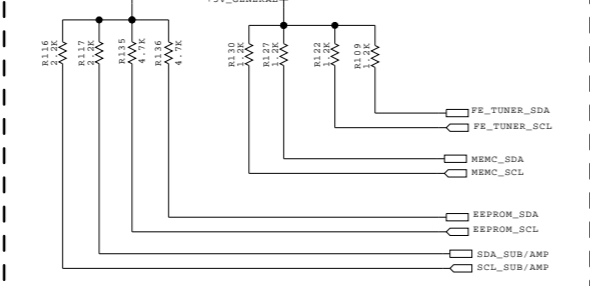
Serial FLASH MEMORY for BOOT



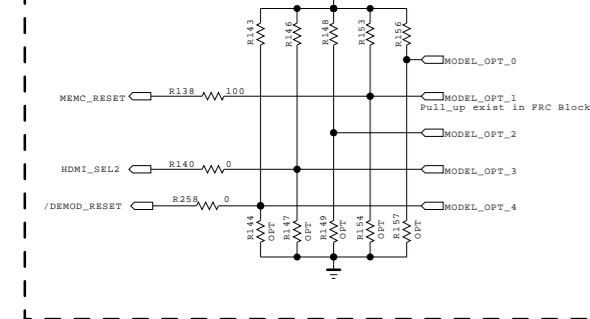
EEPROM



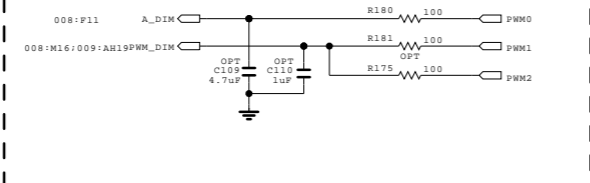
	H	H	L	H
OPT_0	LCD	FRC O	Blinking LED	FHD
OPT_1	PDP	FRC X	Moving LED	HD



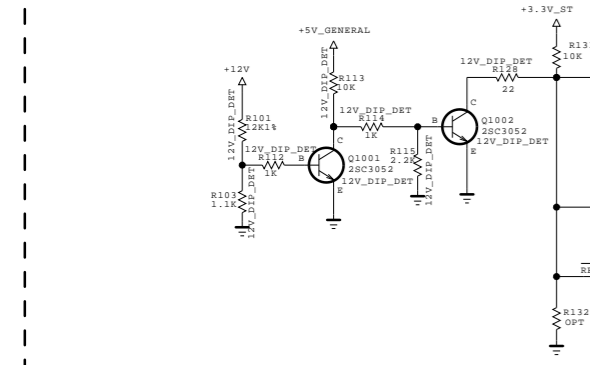
MODEL OPTION



DIMMING



POWER DETECT

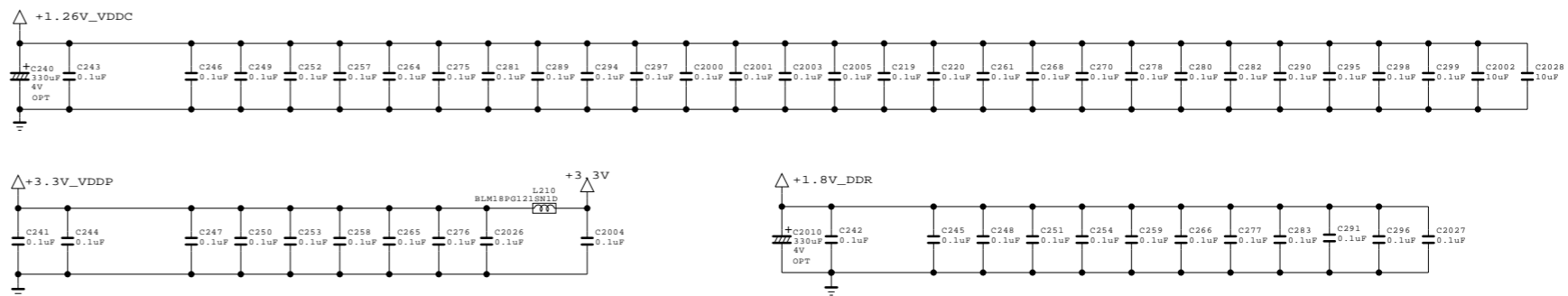


THE SYMBOL MARK OF THIS SCHEMATIC DIAGRAM INCORPORATES SPECIAL FEATURES IMPORTANT FOR PROTECTION FROM X-RADIATION. FILRE AND ELECTRICAL SHOCK HAZARDS, WHEN SERVICING IF IS ESSENTIAL THAT ONLY MANUFACTURES SPECIFIED PARTS BE USED FOR THE CRITICAL COMPONENTS IN THE SYMBOL MARK OF THE SCHEMATIC.

SECRET
LGElectronics

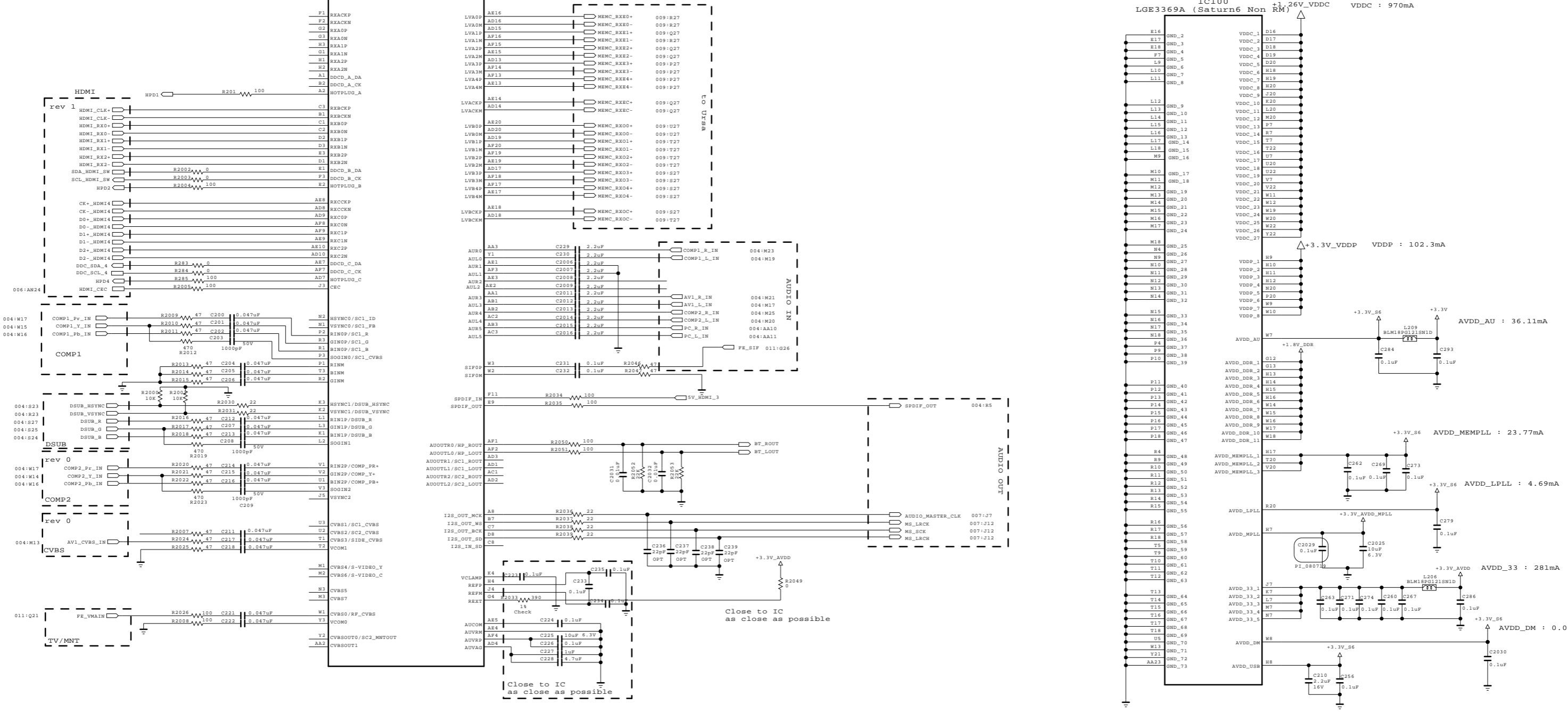


MODEL BLOCK	組FA61110501(6) [SL80]	DATE SHEET	2009.05.28
	MAIN_1		1 / 11



IC100
LGE3369A (Saturn6 Non RM)

IC100
LGE3369A (Saturn6 Non RM) VDDC : 970mA

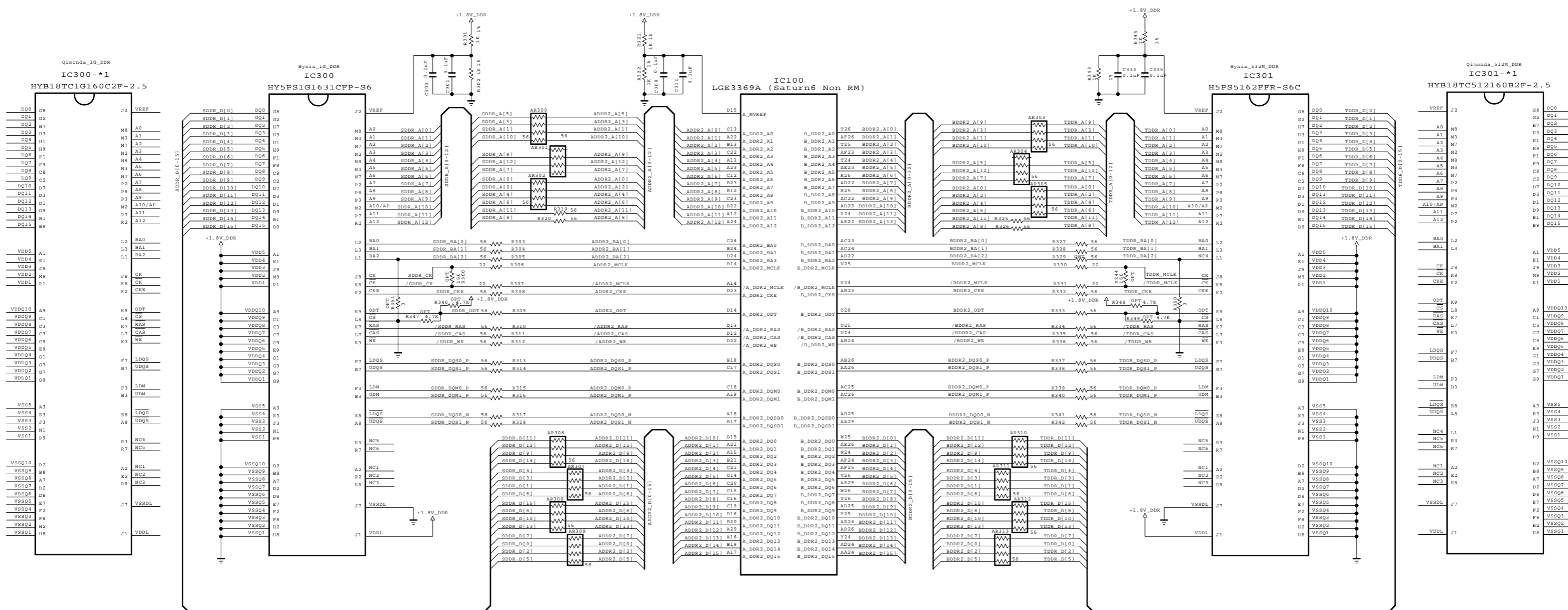
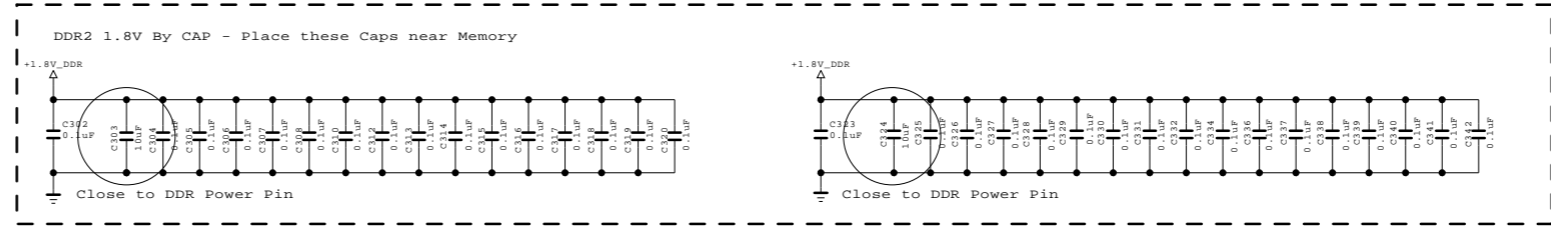


THE Δ SYMBOL MARK OF THIS SCHEMATIC DIAGRAM INCORPORATES SPECIAL FEATURES IMPORTANT FOR PROTECTION FROM X-RADIATION. FILRE AND ELECTRICAL SHOCK HAZARDS, WHEN SERVICING IF IS ESSENTIAL THAT ONLY MANUFACTURES SPECIFIED PARTS BE USED FOR THE CRITICAL COMPONENTS IN THE Δ SYMBOL MARK OF THE SCHEMATIC.

SECRET
LGElectronics



MODEL	EAX61110501(6)[SL80]	DATE	2009.05.28
BLOCK	MAIN_2	SHEET	2 / 11



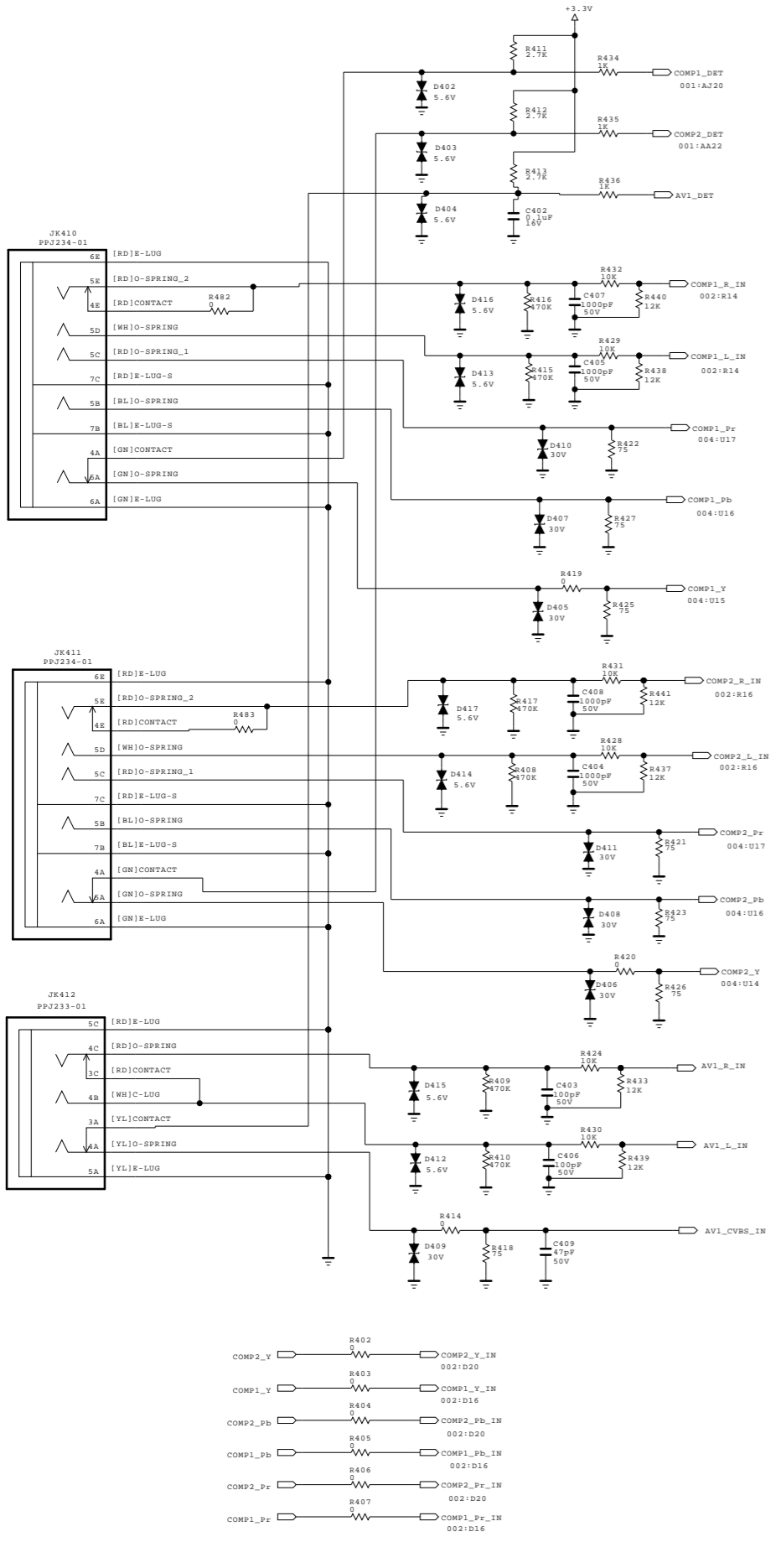
THE Δ SYMBOL MARK OF THIS SCHEMATIC DIAGRAM INCORPORATES SPECIAL FEATURES IMPORTANT FOR PROTECTION FROM X-RADIATION. FILRE AND ELECTRICAL SHOCK HAZARDS, WHEN SERVICING IF IS ESSENTIAL THAT ONLY MANUFACTURES SPECIFIED PARTS BE USED FOR THE CRITICAL COMPONENTS IN THE Δ SYMBOL MARK OF THE SCHEMATIC.

SECRET
LGElectronics



MODEL	EAX61110501(6)[SL80]	DATE	2009.05.28
BLOCK	DDR2	SHEET	3 / 11

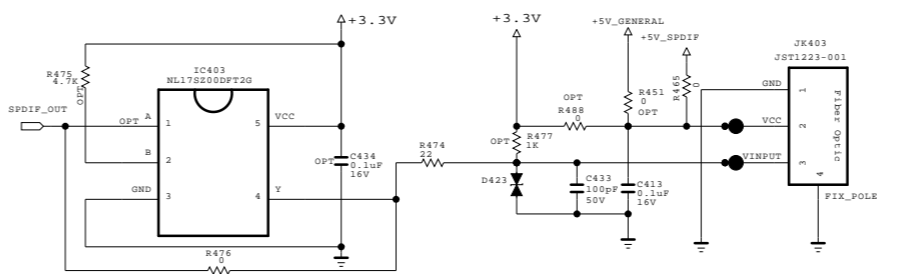
COMPONENT



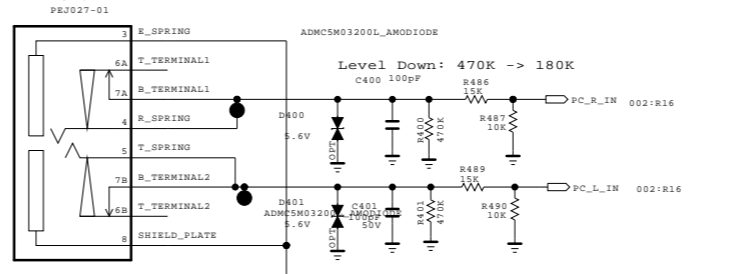
THE Δ SYMBOL MARK OF THIS SCHEMATIC DIAGRAM INCORPORATES SPECIAL FEATURES IMPORTANT FOR PROTECTION FROM X-RADIATION. FILRE AND ELECTRICAL SHOCK HAZARDS, WHEN SERVICING IF IS ESSENTIAL THAT ONLY MANUFACTURES SPECIFIED PARTS BE USED FOR THE CRITICAL COMPONENTS IN THE Δ SYMBOL MARK OF THE SCHEMATIC.

SECRET
LGElectronics

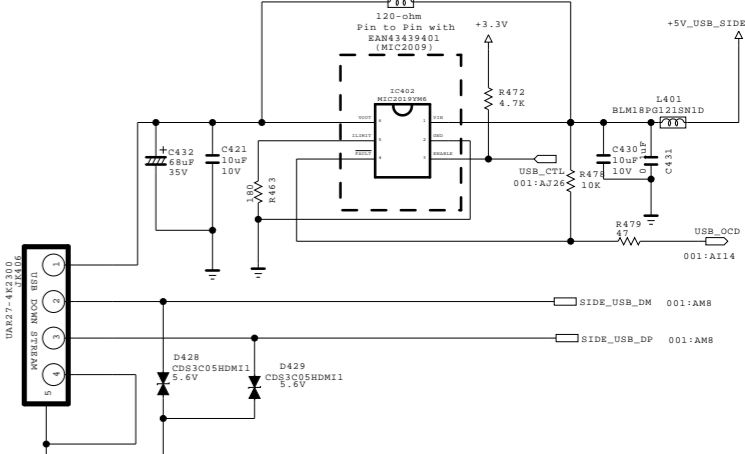
SPDIF OPTIC JACK



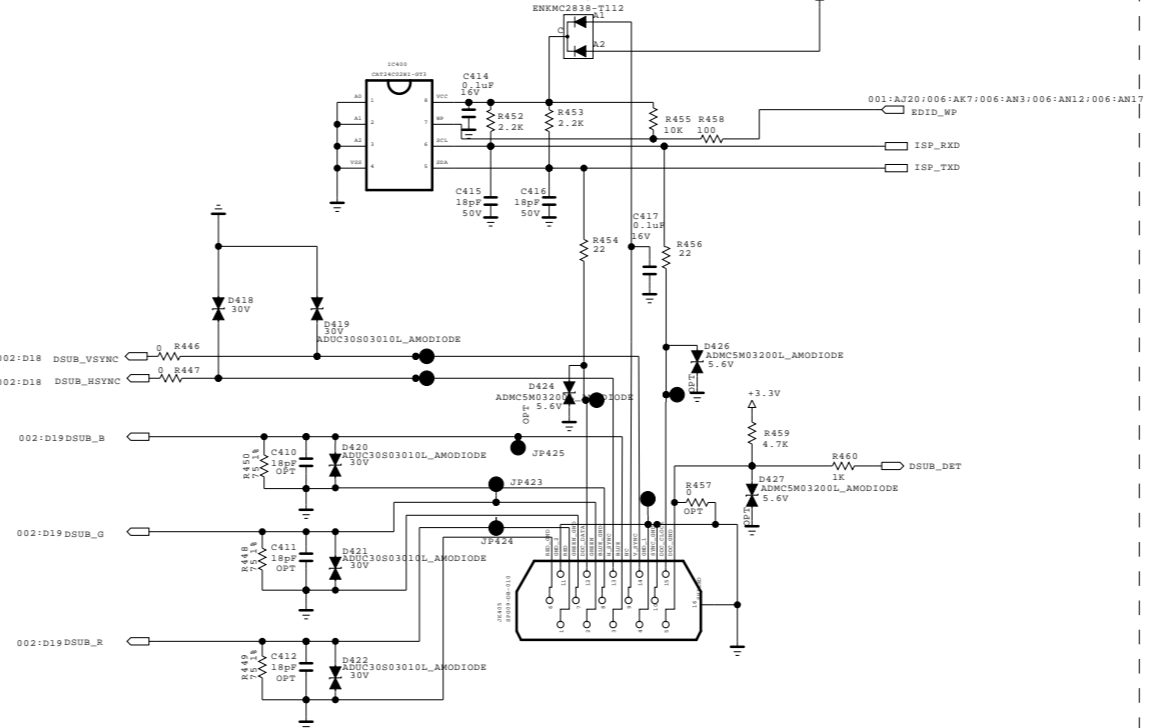
PC AUDIO



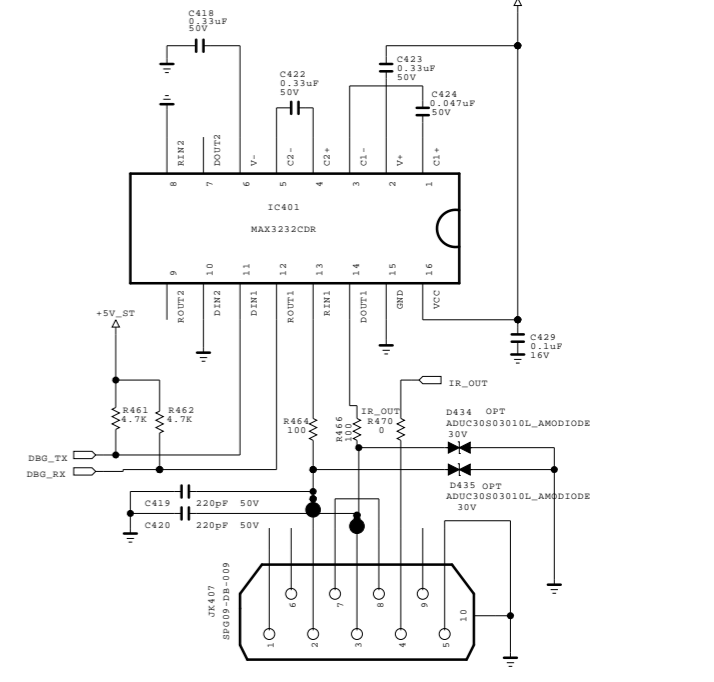
Side USB



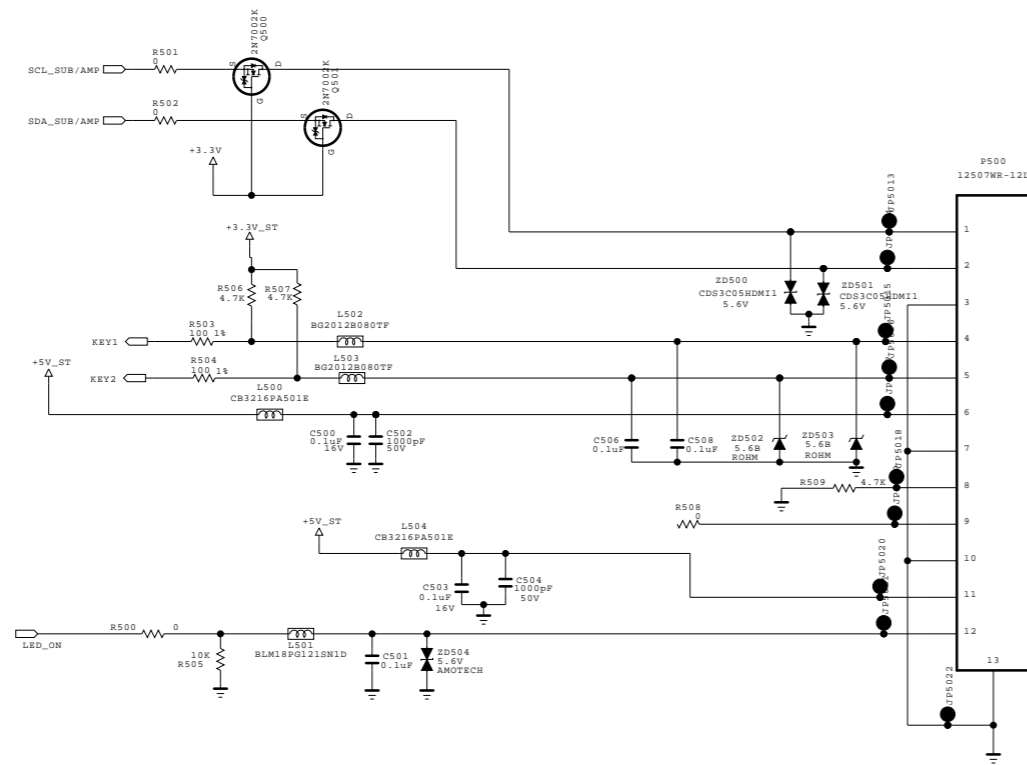
[PC]



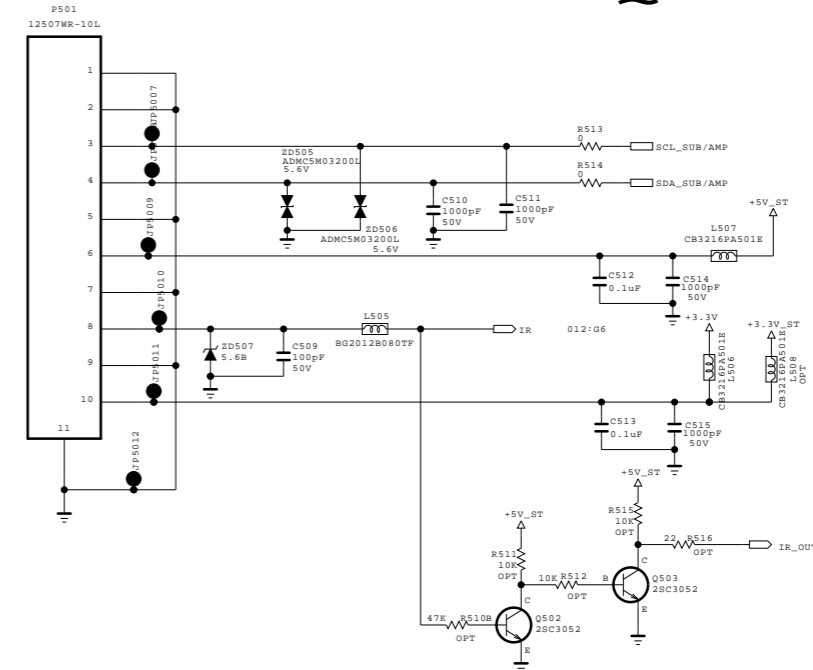
RS232C



CONTROL & BREATHING LED



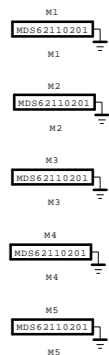
IR & EYE-Q



里里掠侶

SMD GASKET

42" / 47"

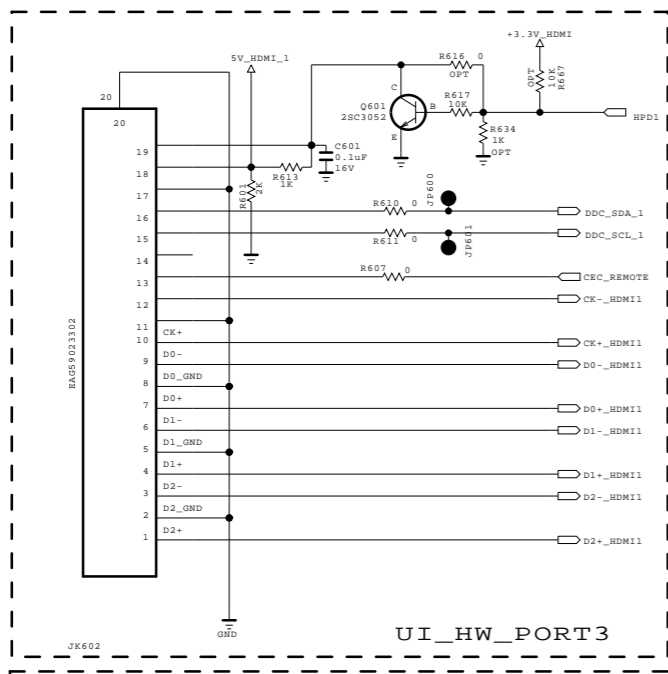


THE SYMBOL MARK OF THIS SCHEMATIC DIAGRAM INCORPORATES SPECIAL FEATURES IMPORTANT FOR PROTECTION FROM X-RADIATION. FILRE AND ELECTRICAL SHOCK HAZARDS, WHEN SERVICING IF IS ESSENTIAL THAT ONLY MANUFACTURES SPECIFIED PARTS BE USED FOR THE CRITICAL COMPONENTS IN THE SYMBOL MARK OF THE SCHEMATIC.

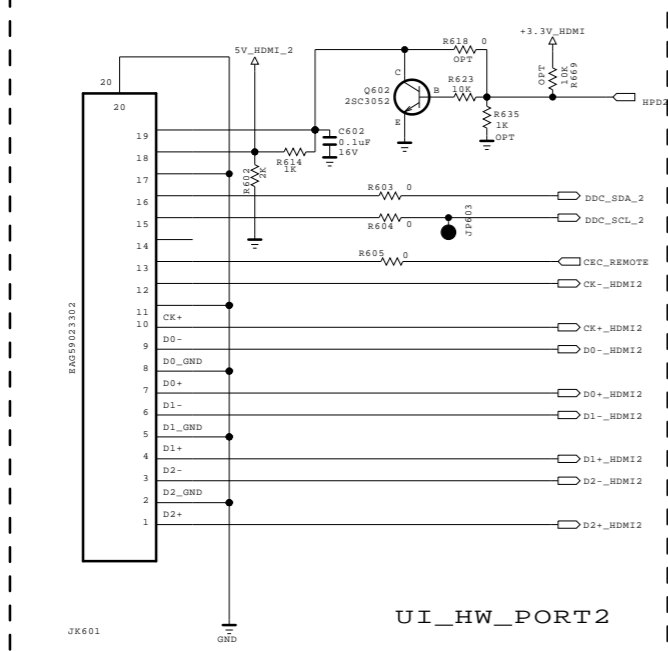
SECRET
LGElectronics



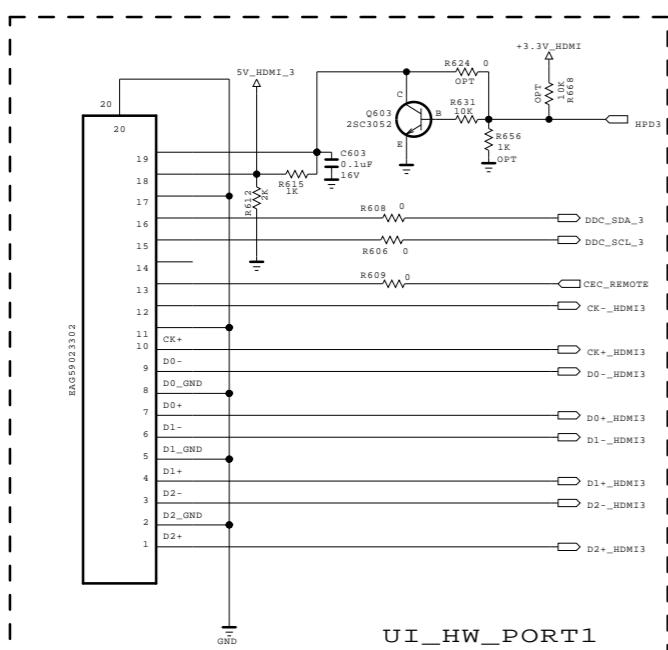
MODEL	EAX61110501(6) [SL80]	DATE	2009.05.28
BLOCK	IR	SHEET	5 / 11



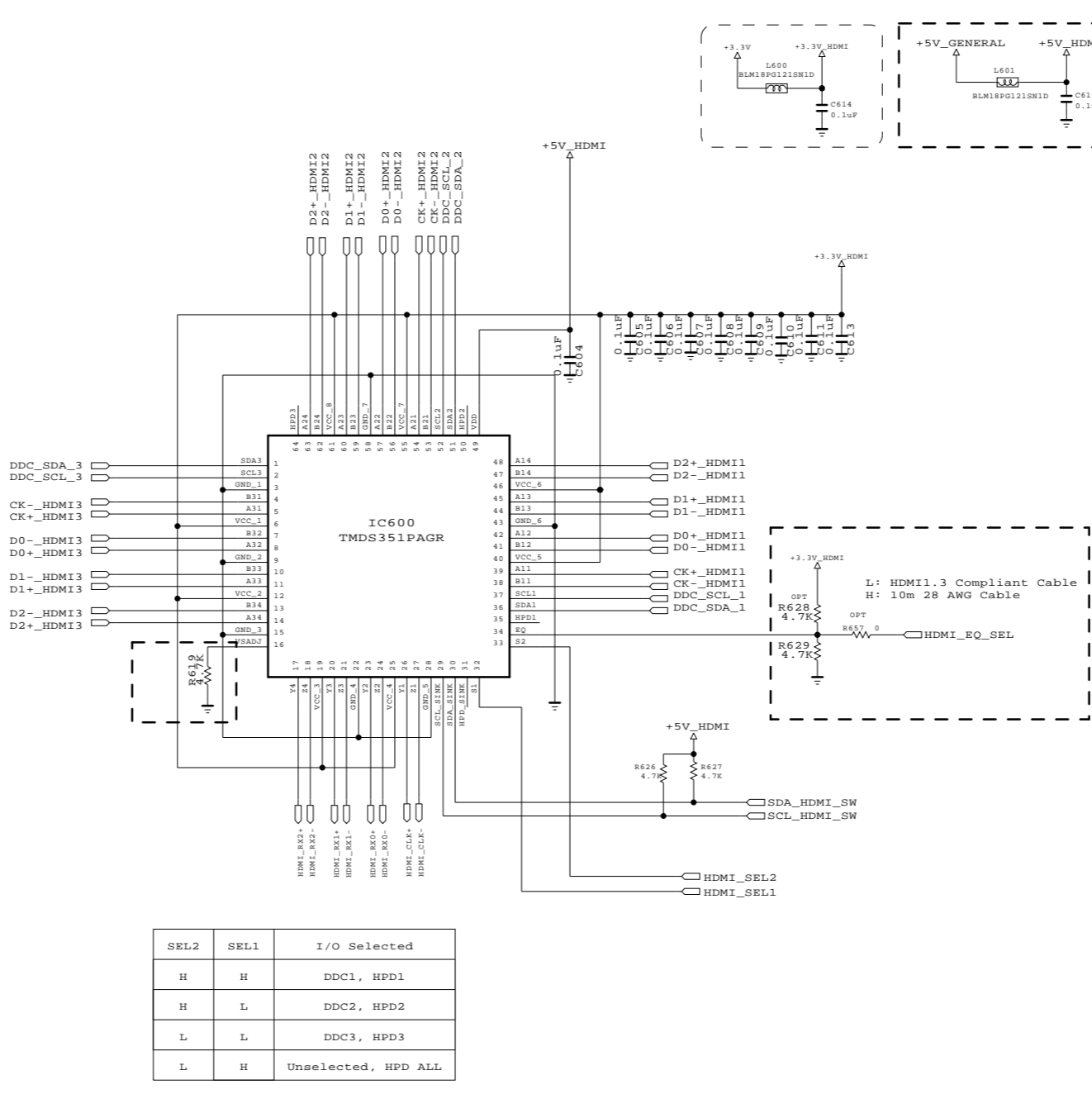
UI_HW_PORT3



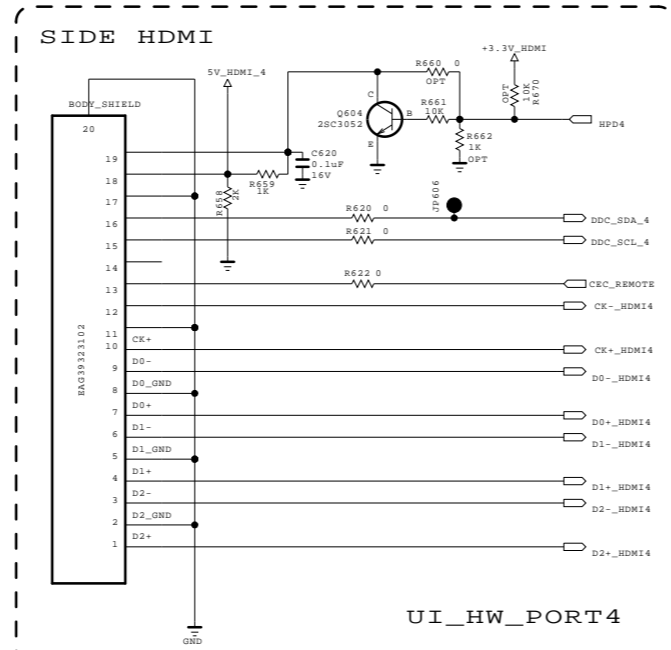
UI_HW_PORT2



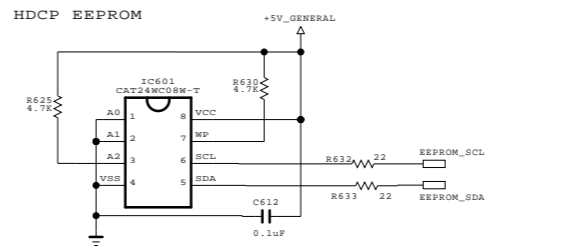
UI_HW_PORT1



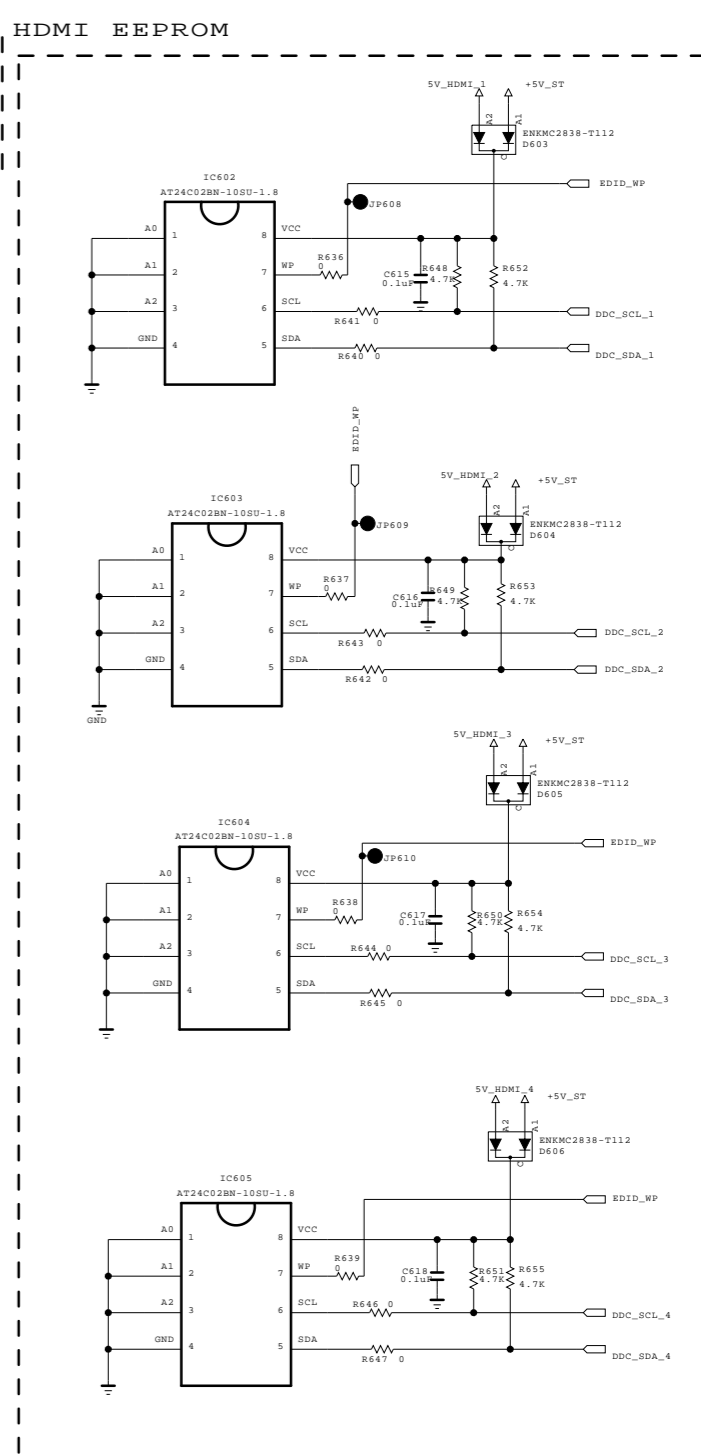
SEL2	SEL1	I/O Selected
H	H	DDC1, HPD1
H	L	DDC2, HPD2
L	L	DDC3, HPD3
L	H	Unselected, HPD ALL



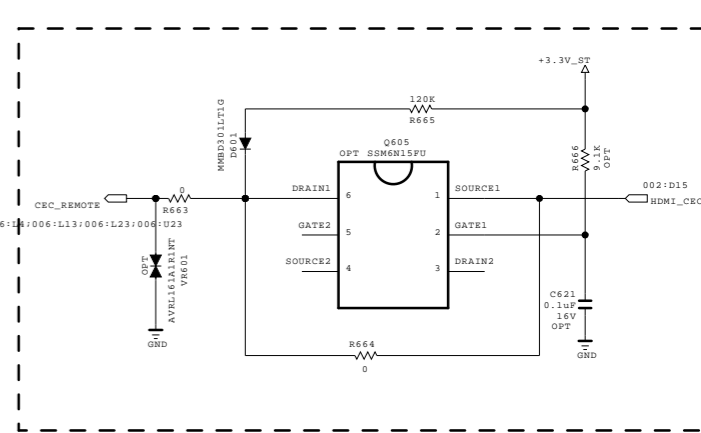
UI_HW_PORT4



HDCP EEPROM



HDMI EEPROM

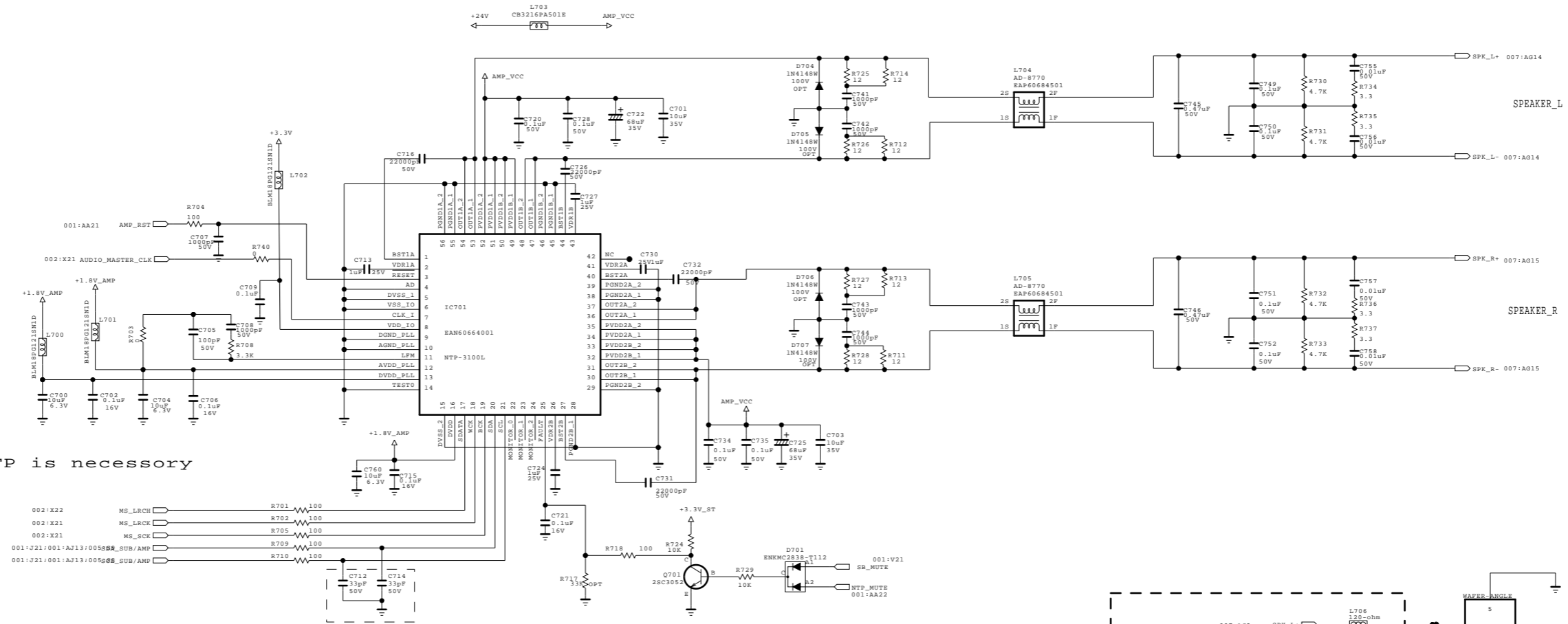


THE SYMBOL MARK OF THIS SCHEMATIC DIAGRAM INCORPORATES SPECIAL FEATURES IMPORTANT FOR PROTECTION FROM X-RADIATION. FILRE AND ELECTRICAL SHOCK HAZARDS, WHEN SERVICING IF IS ESSENTIAL THAT ONLY MANUFACTURES SPECIFIED PARTS BE USED FOR THE CRITICAL COMPONENTS IN THE SYMBOL MARK OF THE SCHEMATIC.

SECRET
LGElectronics

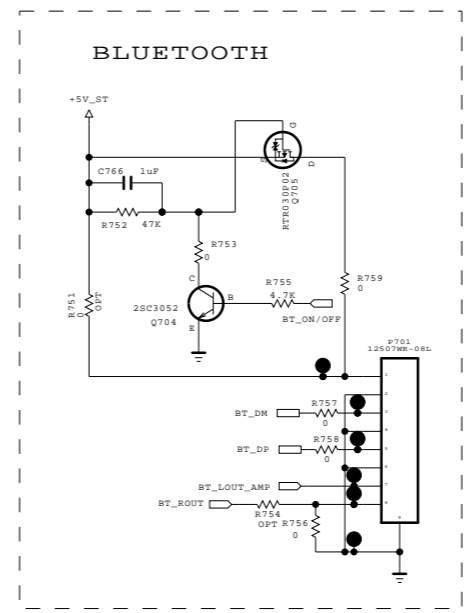
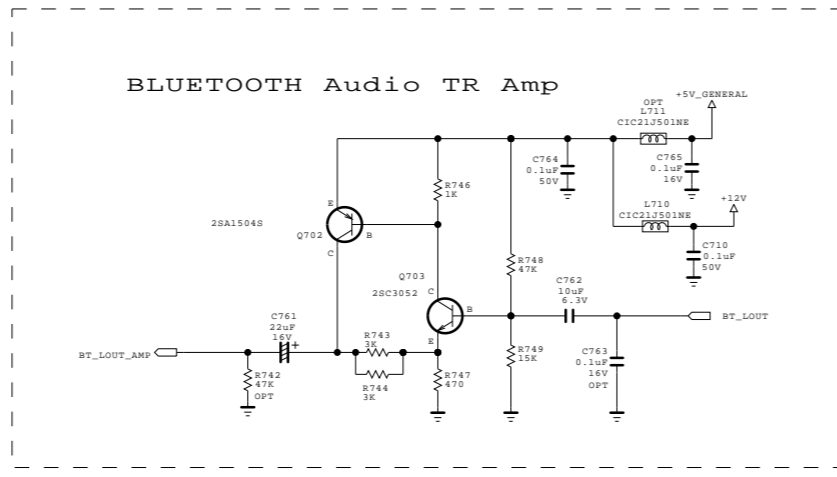
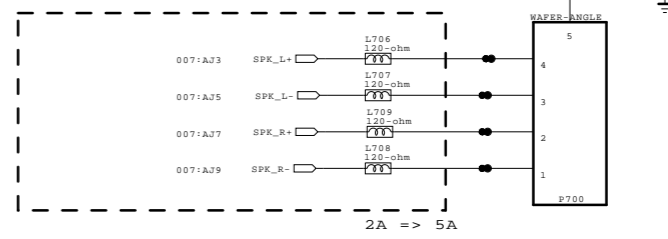


MODEL	EAX61110501(6)[SL80]	DATE	2009.05.28
BLOCK	HDMI	SHEET	6 / 11



MCLK SDATA WCK BCK TP is necessary

Monitor0_1_2 TP is necessary



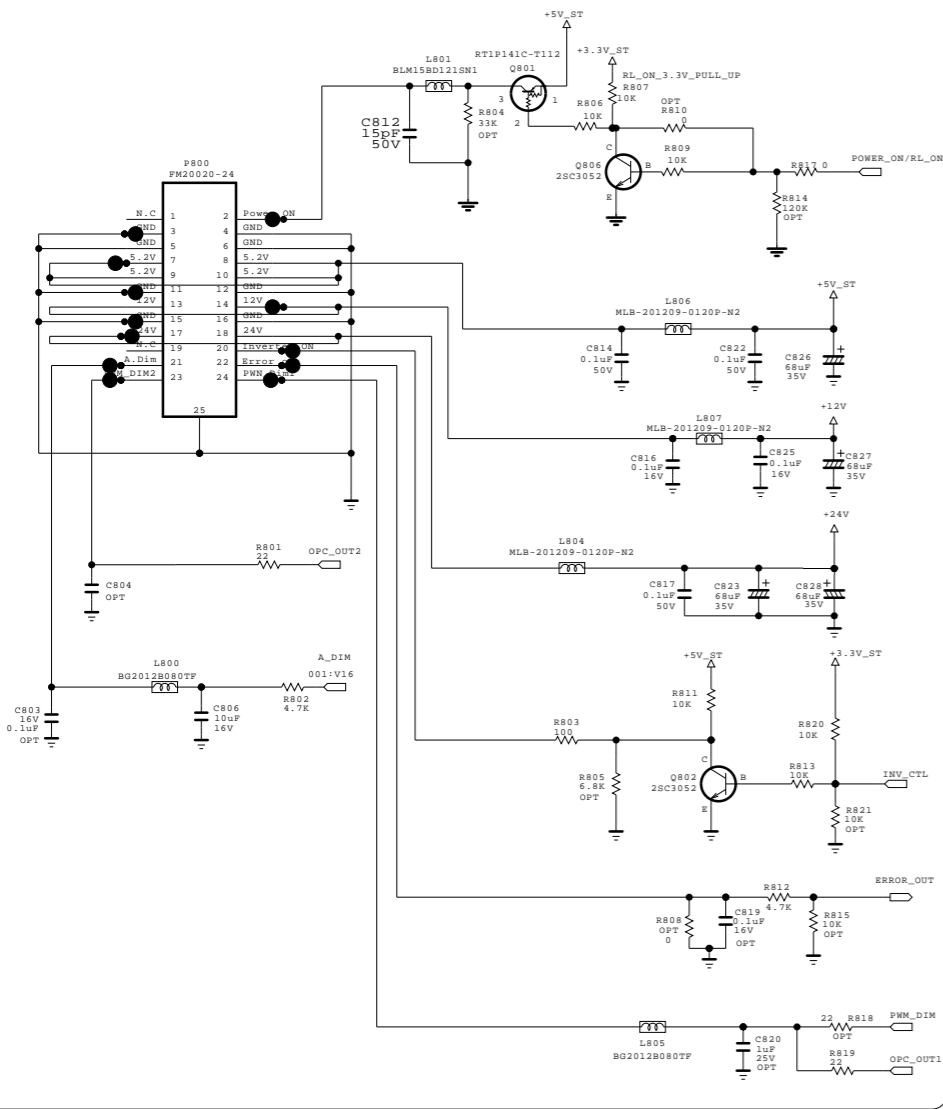
THE SYMBOL MARK OF THIS SCHEMATIC DIAGRAM INCORPORATES SPECIAL FEATURES IMPORTANT FOR PROTECTION FROM X-RADIATION. FILRE AND ELECTRICAL SHOCK HAZARDS, WHEN SERVICING IF IS ESSENTIAL THAT ONLY MANUFACTURES SPECIFIED PARTS BE USED FOR THE CRITICAL COMPONENTS IN THE SYMBOL MARK OF THE SCHEMATIC.

SECRET
LGElectronics

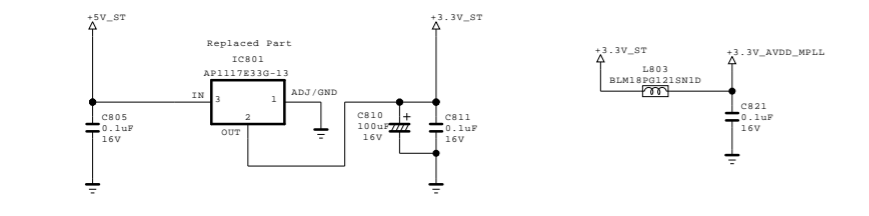


MODEL	EAX61110501(6) [SL80]	DATE	2009.05.28
BLOCK	AMP	SHEET	7 / 11

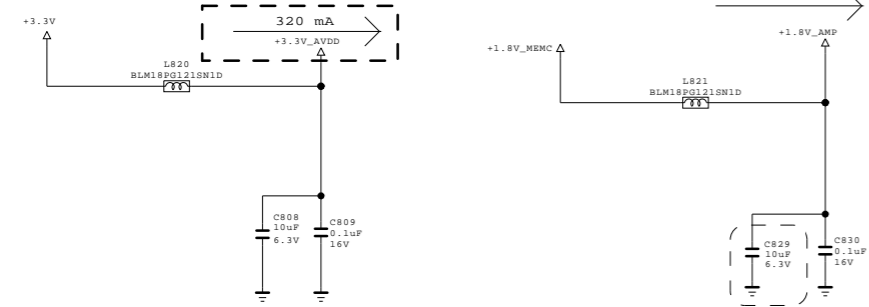
FROM LIPS & POWER B/D



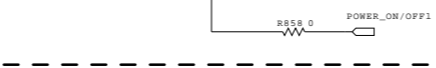
Stand-by +3.3V



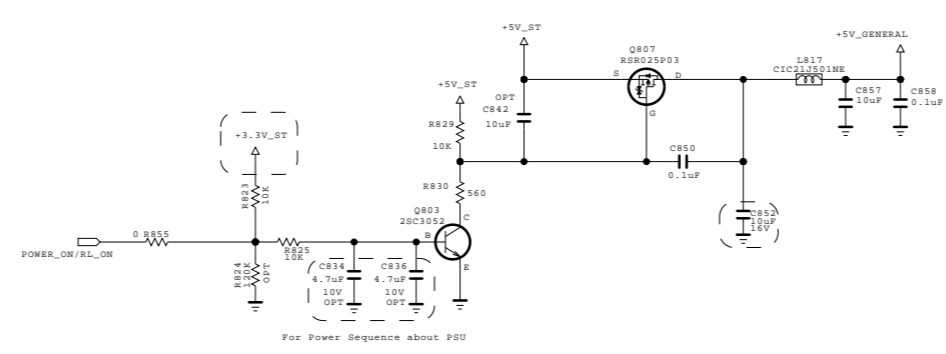
+3.3V_AVDD



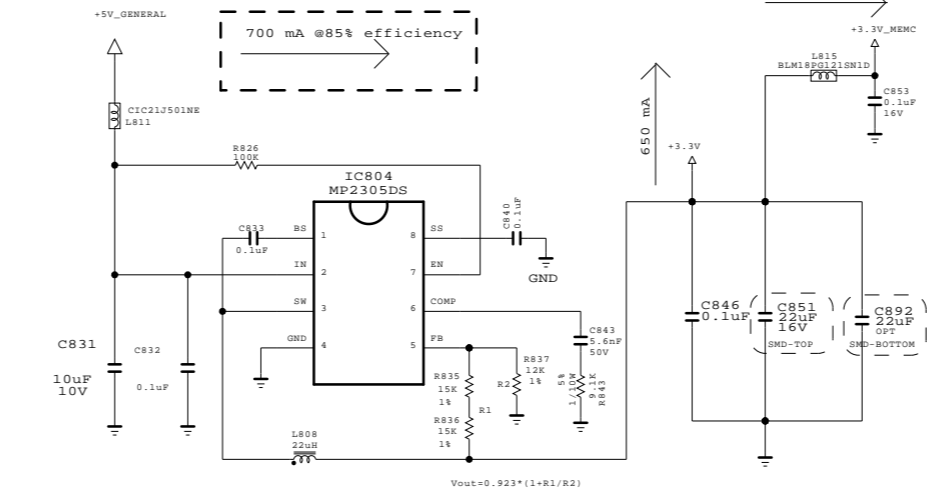
POWER_ON/RL_ON



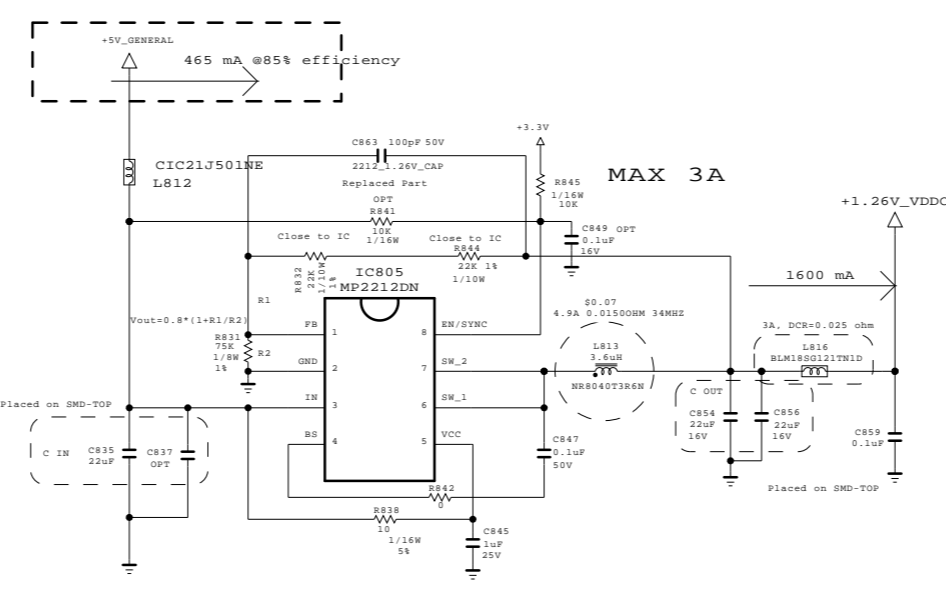
+5V_GENERAL



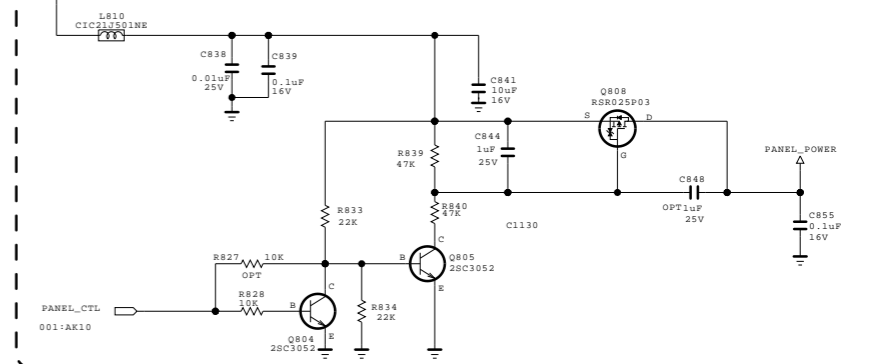
+3.3V



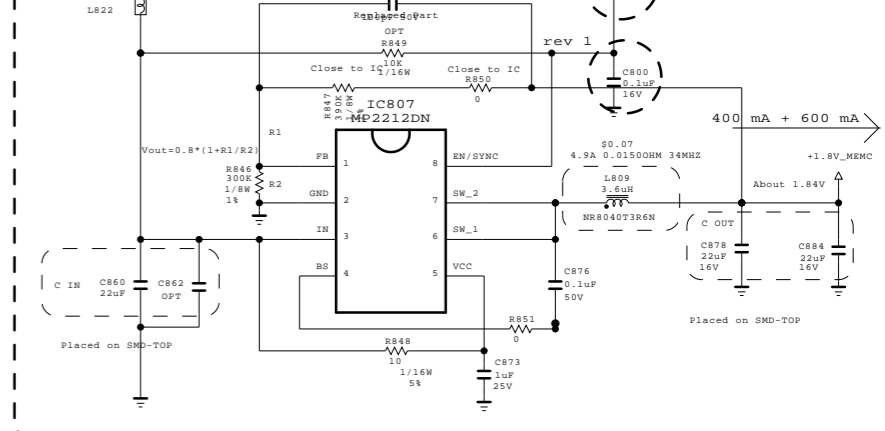
S6 1.26V Core



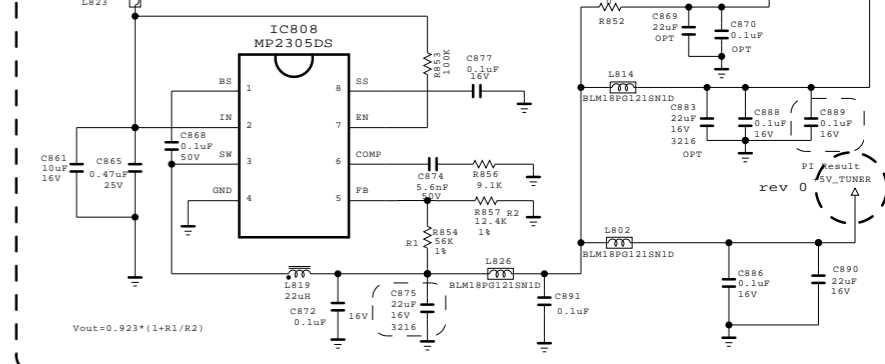
PANEL_POWER



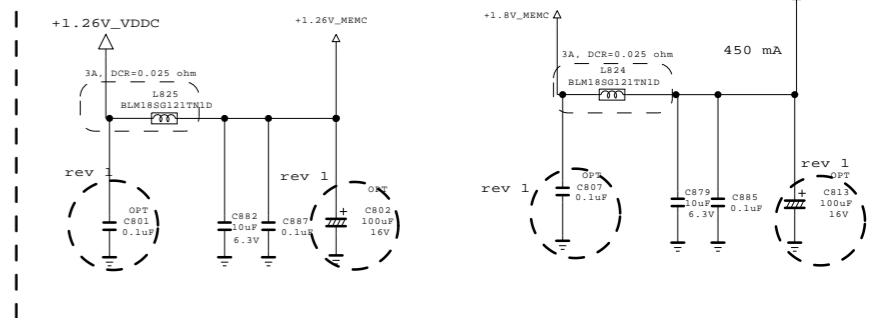
+1.8V_MEMC for DDR



USB & TUNER +5V



MEMC +1.26V Core

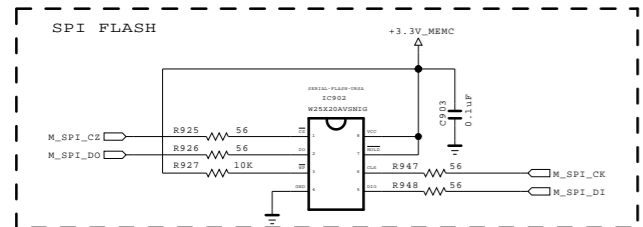


THE Δ SYMBOL MARK OF THIS SCHEMATIC DIAGRAM INCORPORATES SPECIAL FEATURES IMPORTANT FOR PROTECTION FROM X-RADIATION. FILRE AND ELECTRICAL SHOCK HAZARDS, WHEN SERVICING IF IS ESSENTIAL THAT ONLY MANUFACTURES SPECIFIED PARTS BE USED FOR THE CRITICAL COMPONENTS IN THE Δ SYMBOL MARK OF THE SCHEMATIC.

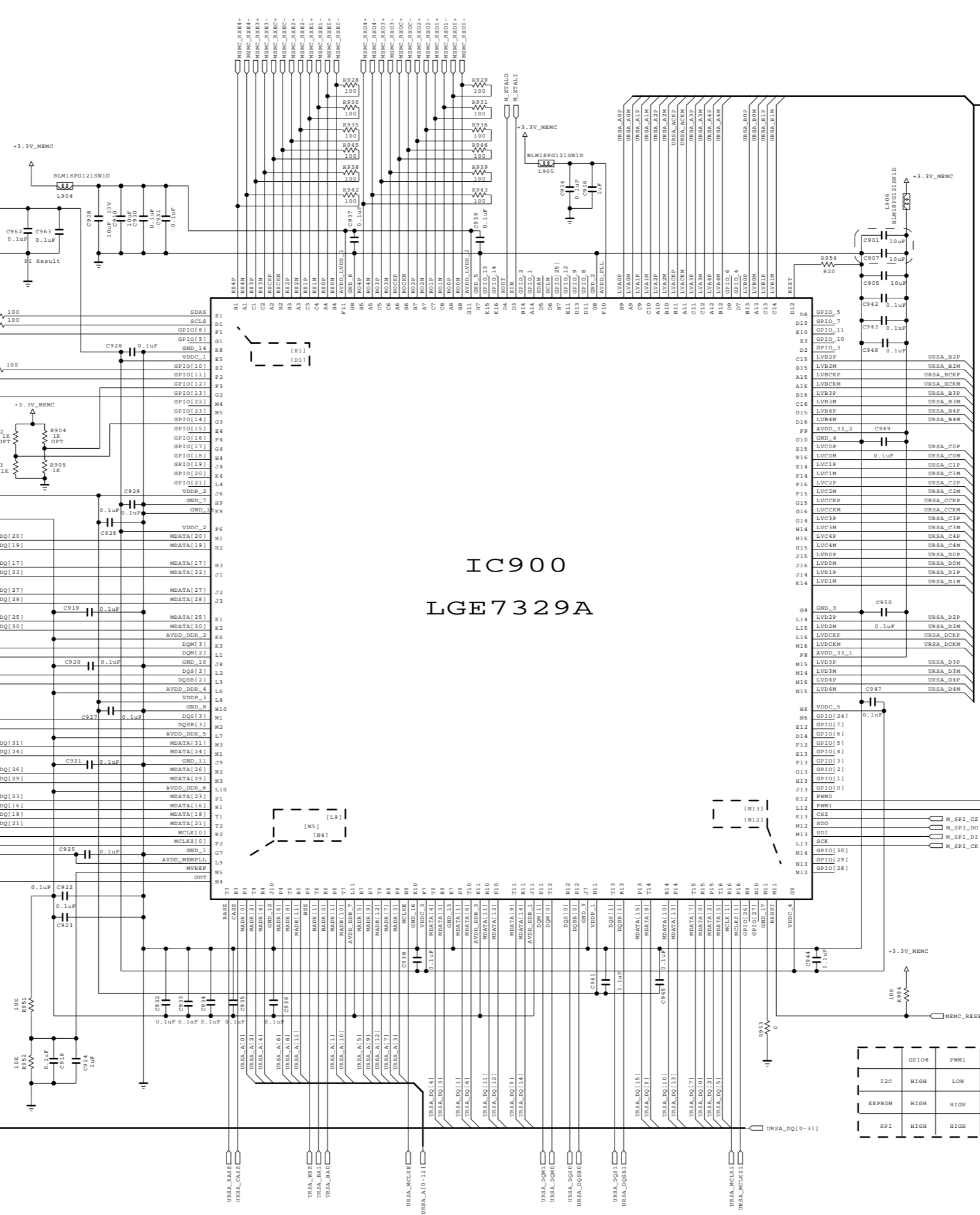
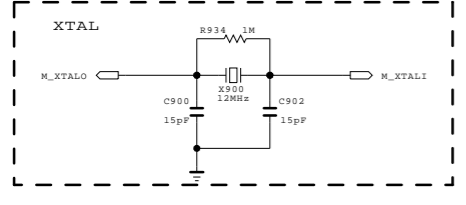
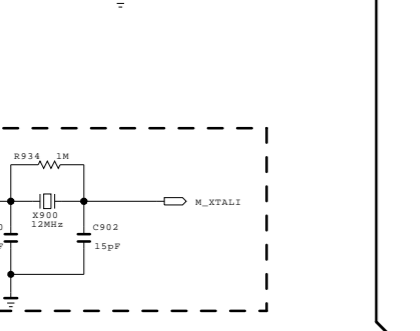
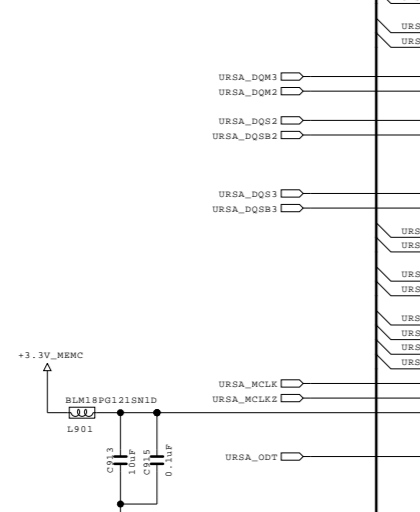
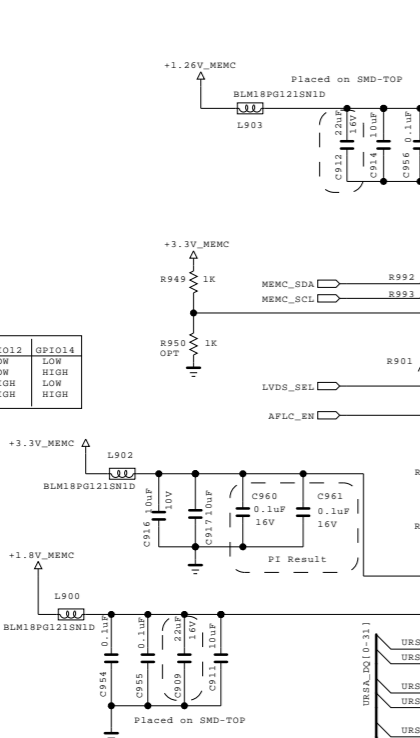
SECRET
LGElectronics



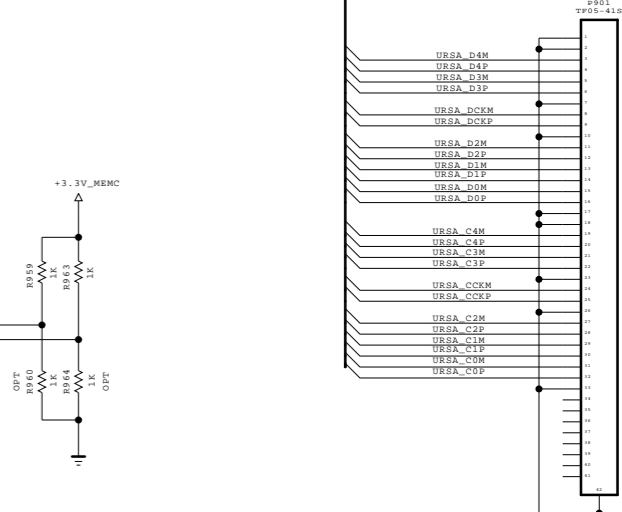
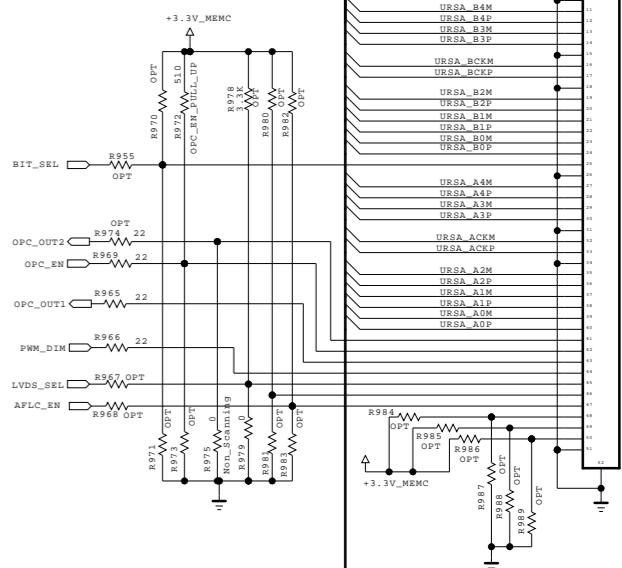
MODEL	EAX61110501(6) [SL80]	DATE	2009.05.28
BLOCK	POWER	SHEET	8 / 11



	GPIO12	GPIO14
Non M-S LVDS	LOW	HIGH
M-S 42" Mini LVDS	LOW	HIGH
M-S 47" Mini LVDS	HIGH	LOW
M-S 37" Mini LVDS	HIGH	HIGH



IC900
LGE7329A



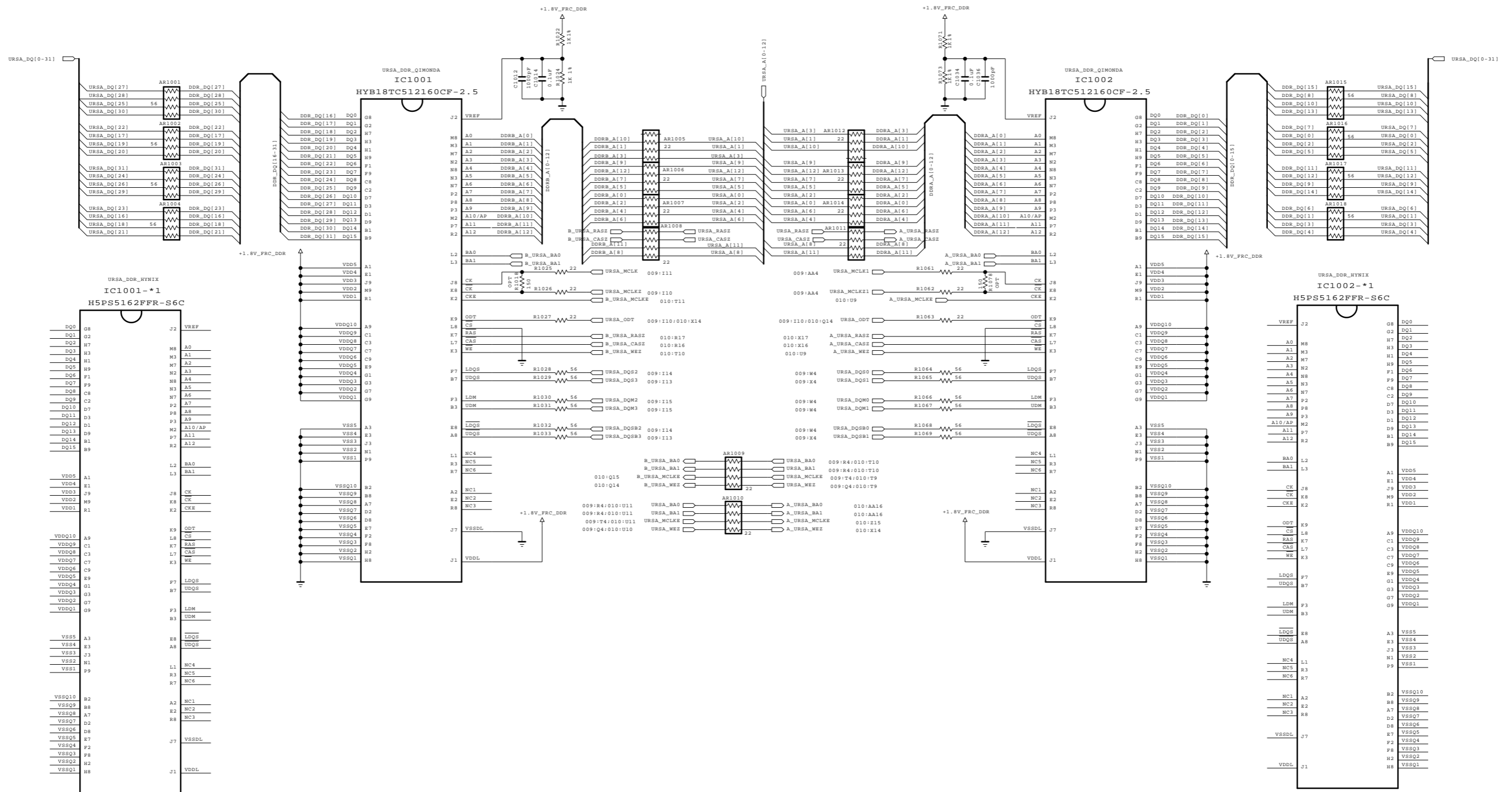
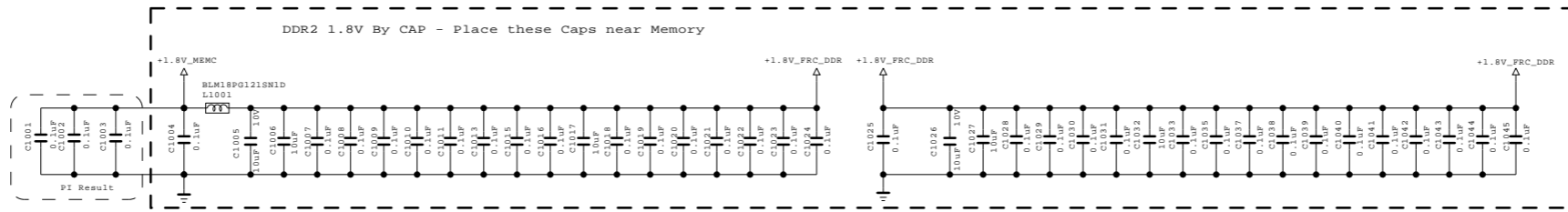
I2C	HIGH	LOW	HIGH
EEPROM	HIGH	HIGH	LOW
SPI	HIGH	HIGH	HIGH

THE Δ SYMBOL MARK OF THIS SCHEMATIC DIAGRAM INCORPORATES SPECIAL FEATURES IMPORTANT FOR PROTECTION FROM X-RADIATION. FILTRE AND ELECTRICAL SHOCK HAZARDS, WHEN SERVICING IS ESSENTIAL THAT ONLY MANUFACTURERS SPECIFIED PARTS BE USED FOR THE CRITICAL COMPONENTS IN THE Δ SYMBOL MARK OF THE SCHEMATIC.

SECRET
LGElectronics



MODEL	EAX61110501(6)[SL80]	DATE	2009.05.28
BLOCK	MST7323S(FRC) MAIN	SHEET	9 / 11

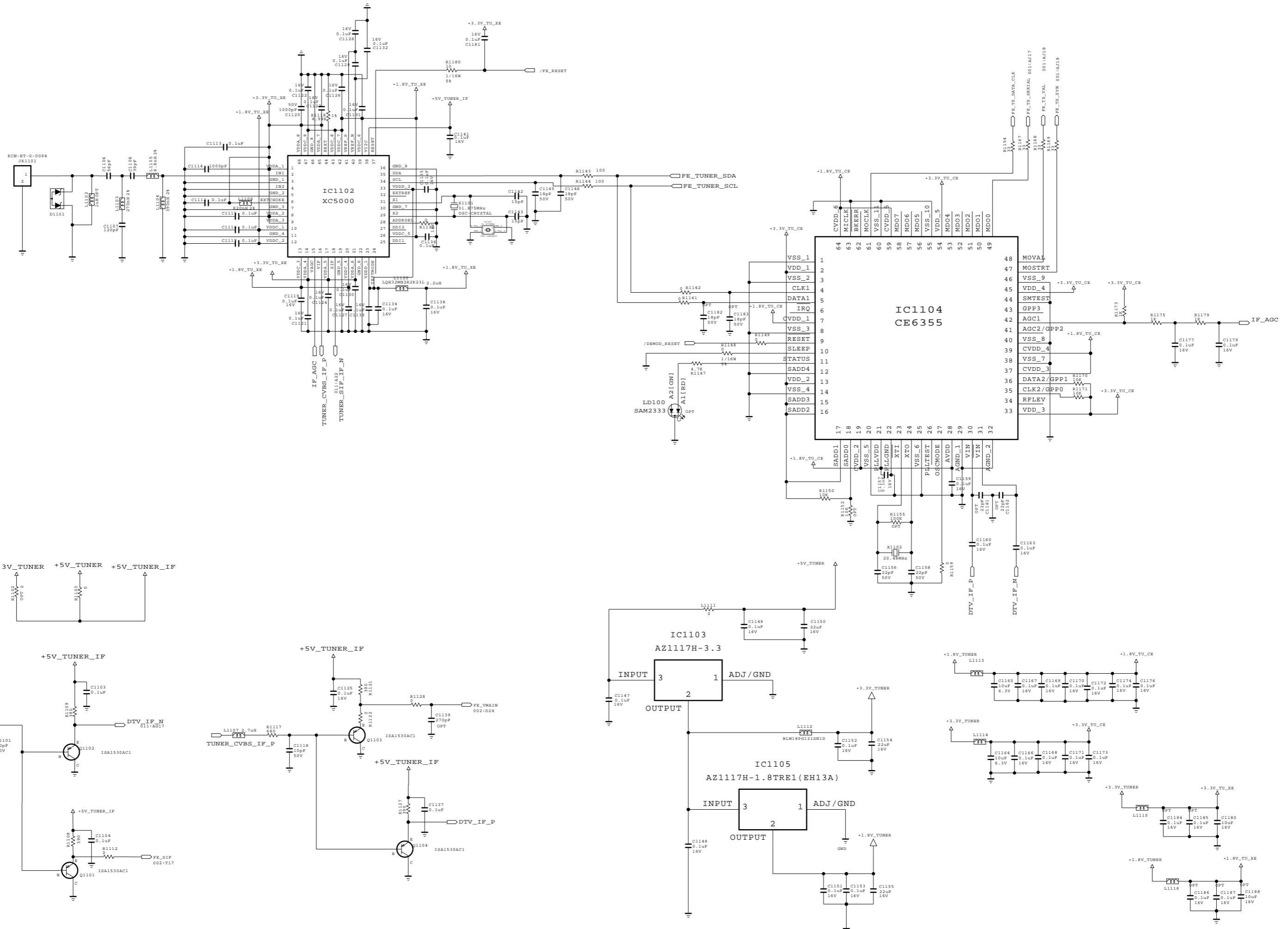


THE Δ SYMBOL MARK OF THIS SCHEMATIC DIAGRAM INCORPORATES SPECIAL FEATURES IMPORTANT FOR PROTECTION FROM X-RADIATION. FILRE AND ELECTRICAL SHOCK HAZARDS, WHEN SERVICING IF IS ESSENTIAL THAT ONLY MANUFACTURES SPECIFIED PARTS BE USED FOR THE CRITICAL COMPONENTS IN THE Δ SYMBOL MARK OF THE SCHEMATIC.

SECRET
LGElectronics



MODEL BLOCK	EAX61110501(6)SL80	DATE SHEET	2009.05.28
	MST7323S DDR2		10/11



THE Δ SYMBOL MARK OF THIS SCHEMATIC DIAGRAM INCORPORATES SPECIAL FEATURES IMPORTANT FOR PROTECTION FROM X-RADIATION. FILTRE AND ELECTRICAL SHOCK HAZARDS, WHEN SERVICING IF IS ESSENTIAL THAT ONLY MANUFACTURES SPECIFIED PARTS BE USED FOR THE CRITICAL COMPONENTS IN THE Δ SYMBOL MARK OF THE SCHEMATIC.

SECRET
LGElectronics



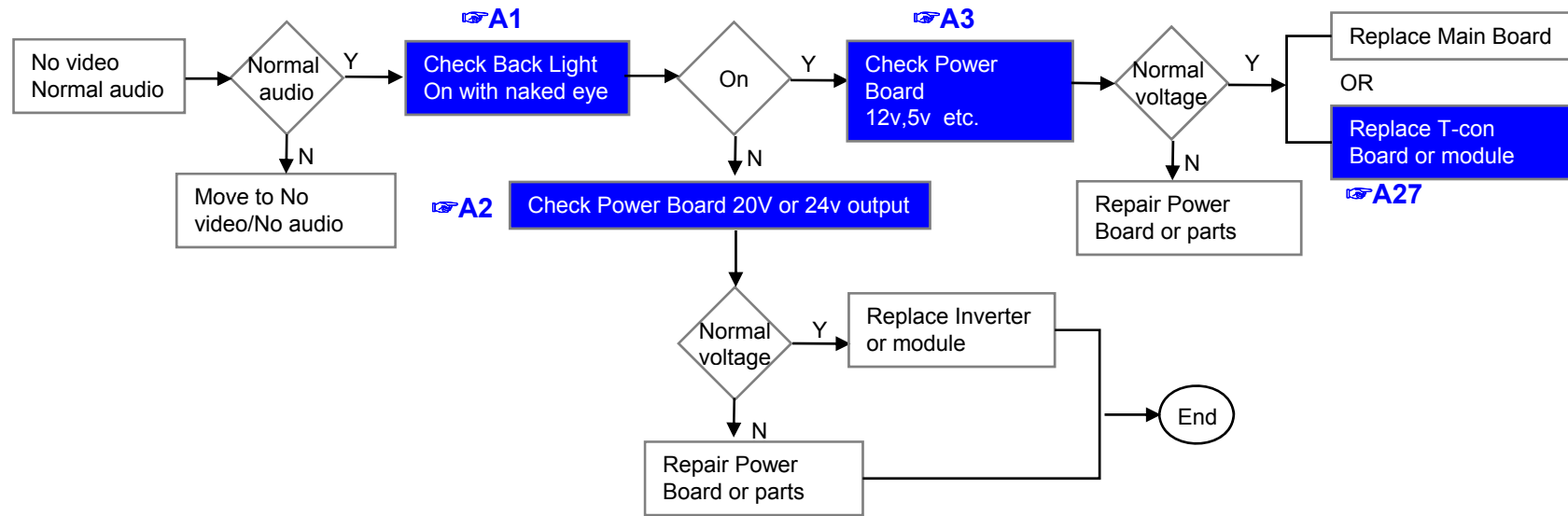
MODEL	EAX61110501(6)[SL80]	DATE	2009.05.28
BLOCK	TUNER	SHEET	11 / 11



Standard Repair Process

LCD TV	Error symptom	A. Video error	Established date	2008. 3 .26	
		No video/ Normal audio	Revised date		1/13

**First of all, Check whether all of cables between board is inserted properly or not.
(Main B/D ↔ Power B/D, LVDS Cable, Speaker Cable, IR B/D Cable,,)**

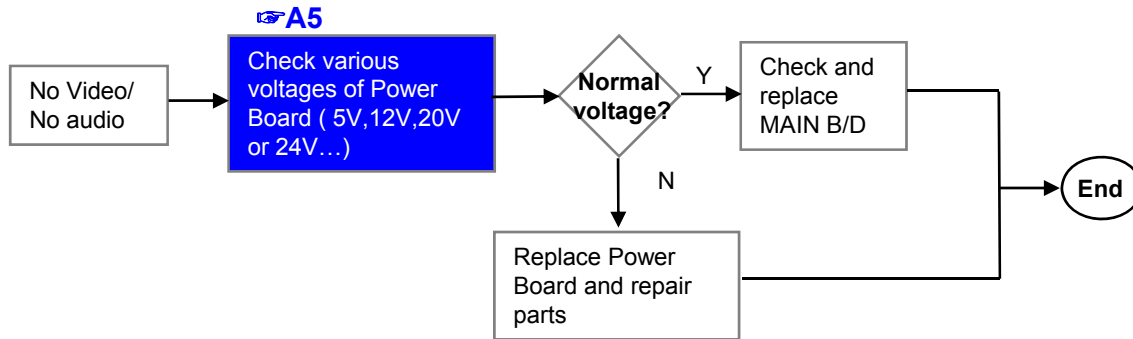


※Precaution A7 & A4



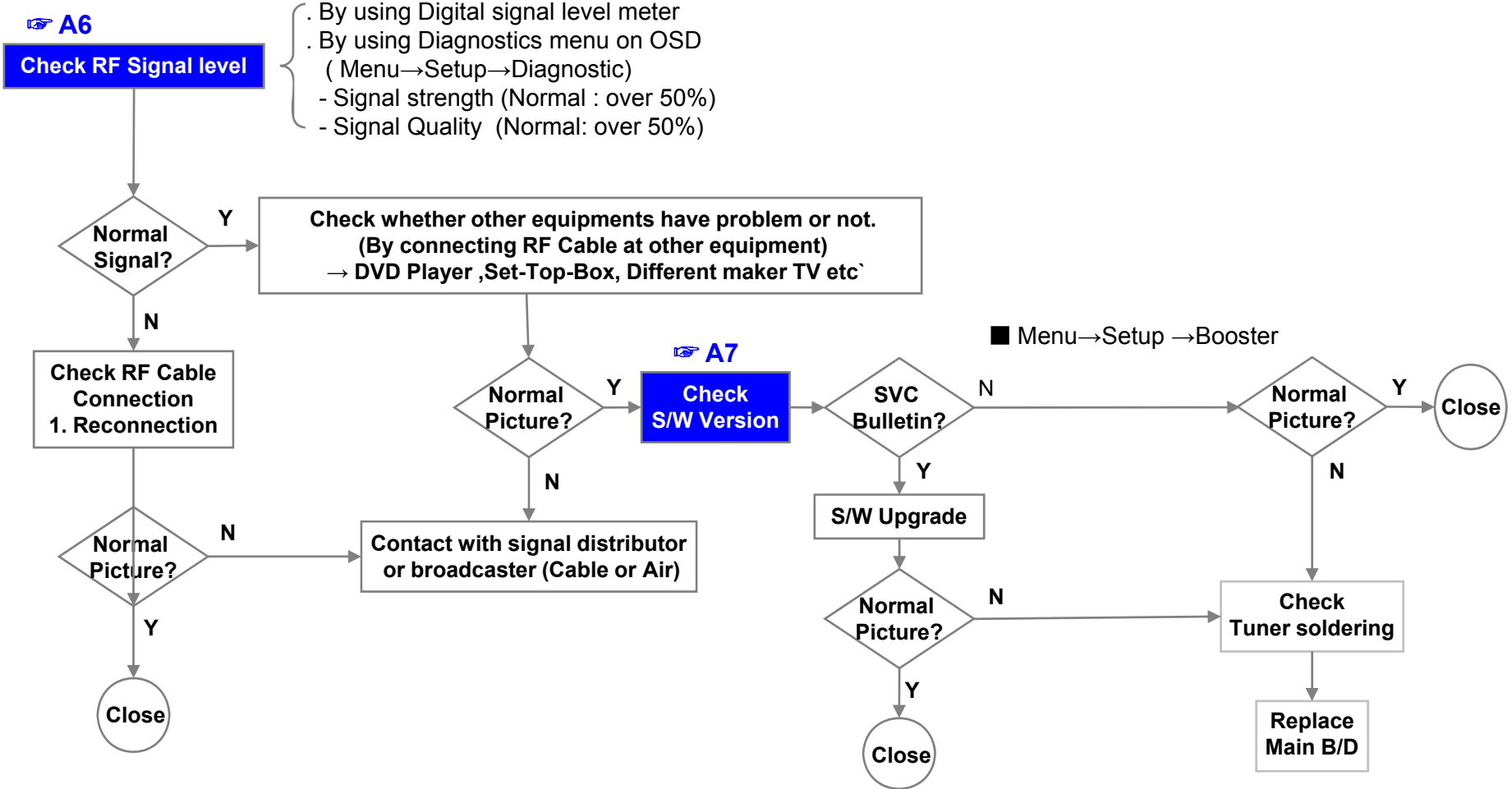
Standard Repair Process

LCD TV	Error symptom	A. Video error	Established date	2008. 3 .26	
		No video/ No audio	Revised date		2/13



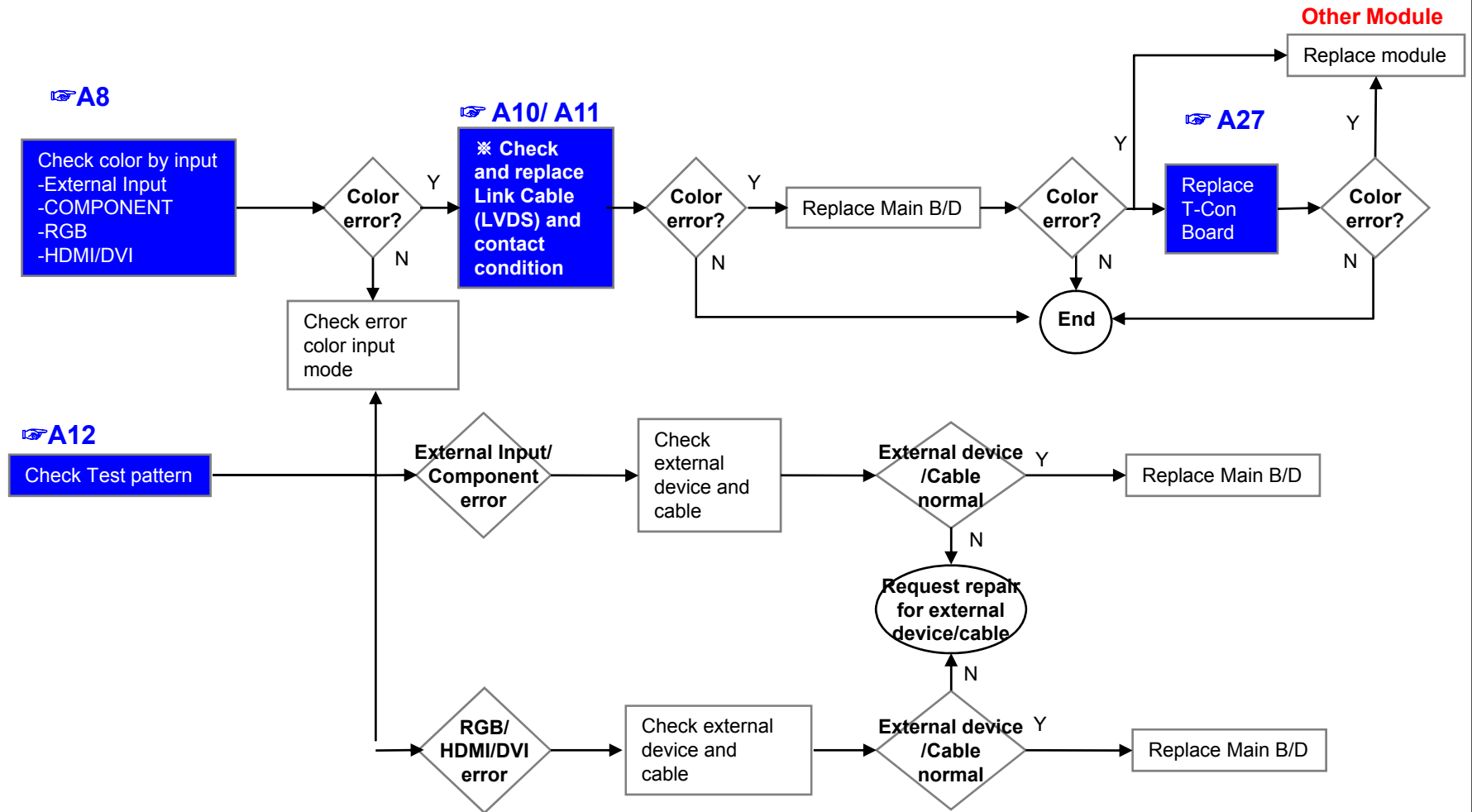
Standard Repair Process

LCD TV	Error symptom	A. Picture Problem	Established date	2008. 3 .26	
		Picture broken/ Freezing	Revised date		3/13



Standard Repair Process

LCD TV	Error symptom	A. Video error	Established date	2008. 3 .26	
		Color error	Revised date		4/13

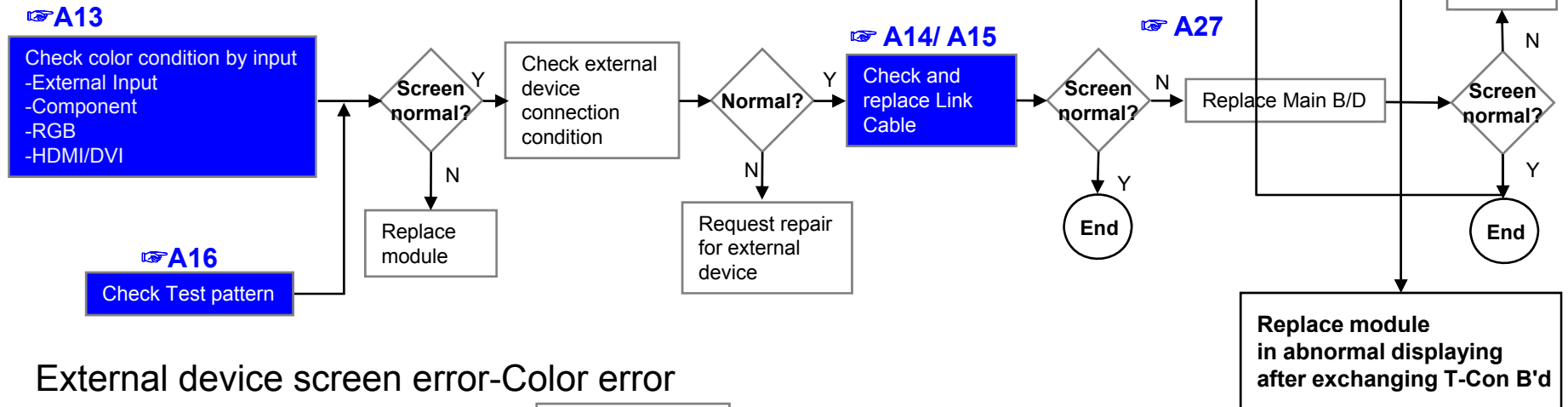


Standard Repair Process

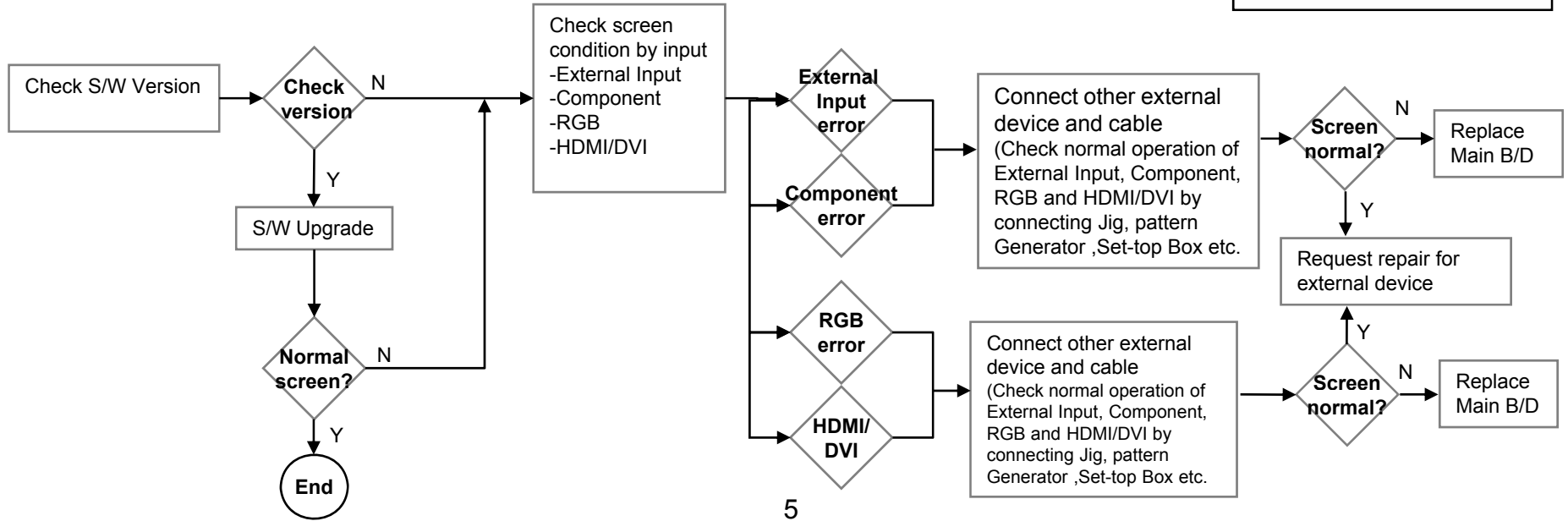
LCD TV	Error symptom	A. Video error	Established date	2008. 3 .26	
		Vertical / Horizontal bar, residual image, light spot, external device color error	Revised date		5/13

Vertical/Horizontal bar, residual image, light spot

Other Module

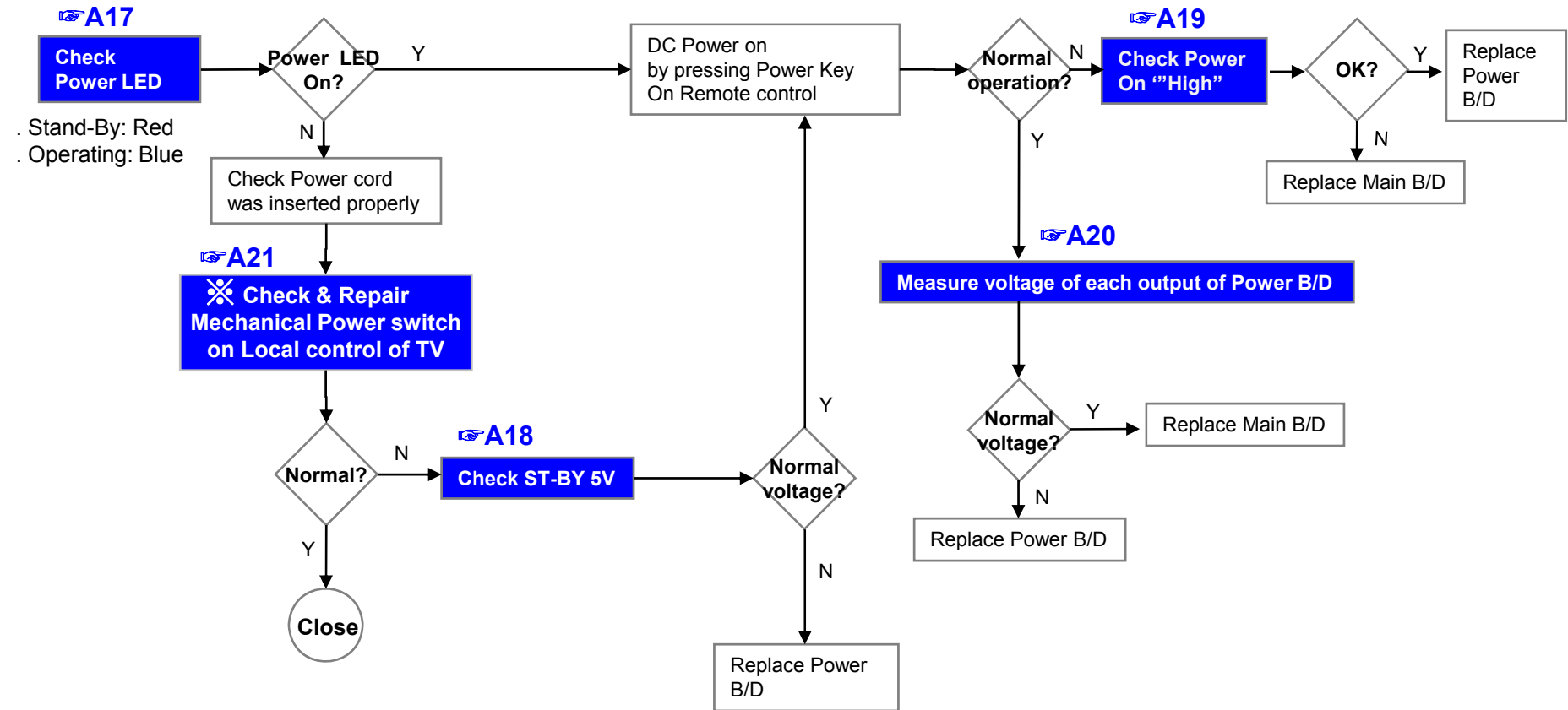


External device screen error-Color error



Standard Repair Process

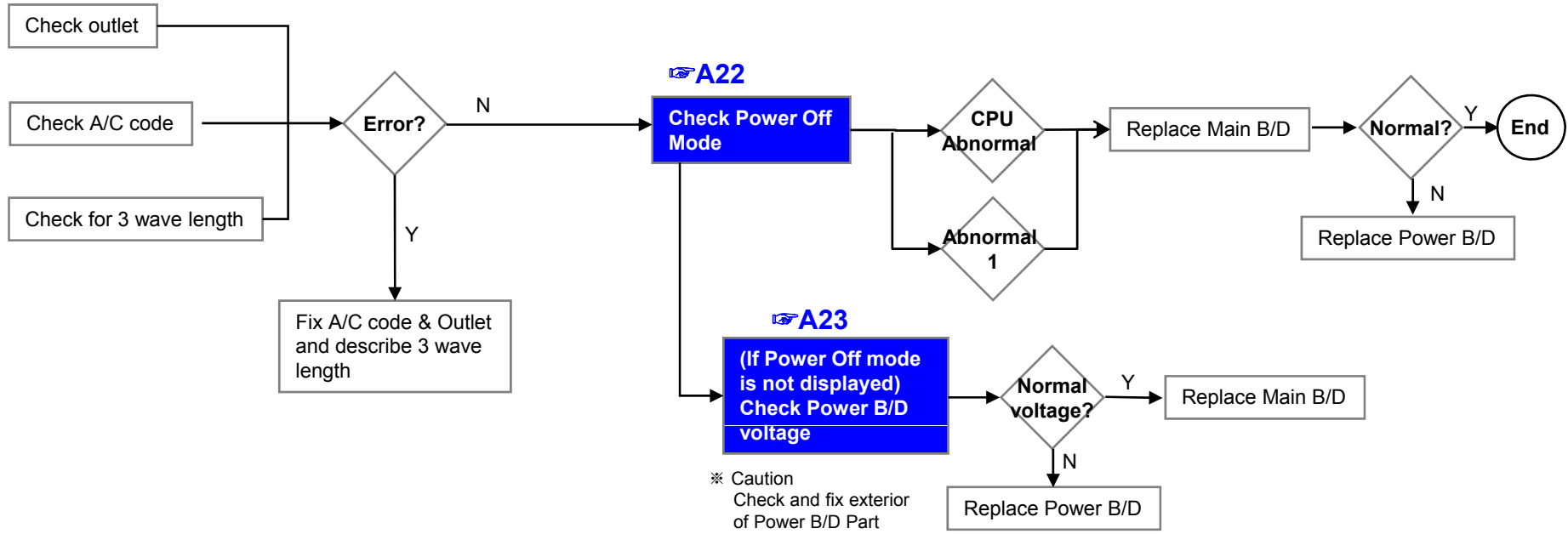
LCD TV	Error symptom	B. Power error	Established date	2008. 3 .26	
		No power	Revised date		6/13



※ '09 years new model apply **mechanical power switch** to reduce power consumption in stand-by status.
 If mechanical power switch off
 → Doesn't turn on by remote control
 → Doesn't appear LED light
 Please refer to the A21 Page

Standard Repair Process

LCD TV	Error symptom	B. Power error	Established date	2008. 3 .26	
		Off when on, off while viewing, power auto on/off	Revised date		7/13

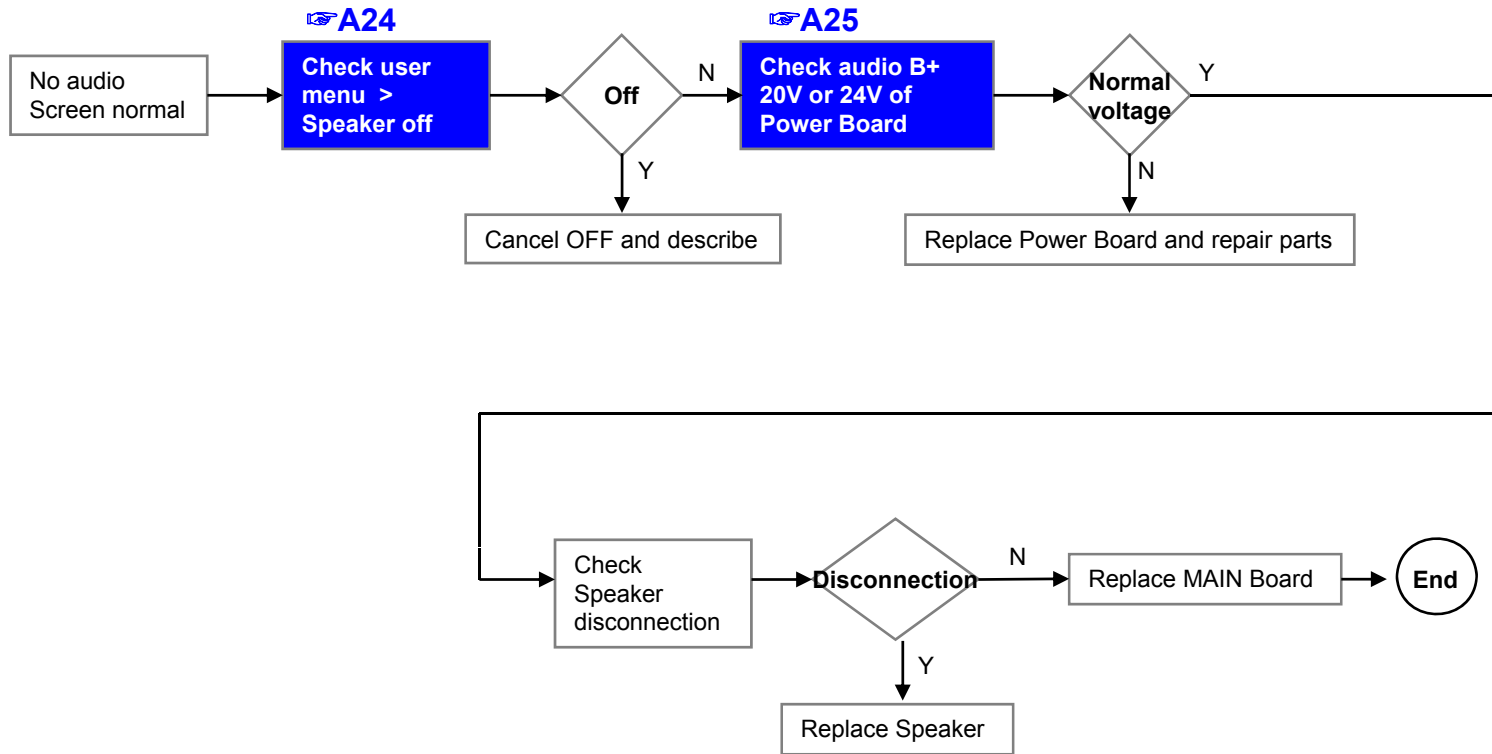


* Please refer to the all cases which can be displayed on power off mode.

Status	Power off List	Explanation
Normal	"POWEROFF_REMOTEKEY"	Power off by REMOTE CONTROL
	"POWEROFF_OFFTIMER"	Power off by OFF TIMER
	"POWEROFF_SLEEPTIMER"	Power off by SLEEP TIMER
	"POWEROFF_INSTOP"	Power off by INSTOP KEY
	"POWEROFF_AUTOOFF"	Power off by AUTO OFF
	"POWEROFF_ONTIMER"	Power off by ON TIMER
	"POWEROFF_RS232C"	Power off by RS232C
	"POWEROFF_RESREC"	Power off by Reserved Record
	"POWEROFF_RECEND"	Power off by End of Recording
	"POWEROFF_SWDOWN"	Power off by S/W Download
Abnormal	"POWEROFF_UNKNOWN"	Power off by unknown status except listed case
	"POWEROFF_ABNORMAL1"	Power off by abnormal status except CPU trouble
	"POWEROFF_CPUABNORMAL"	Power off by CPU Abnormal

Standard Repair Process

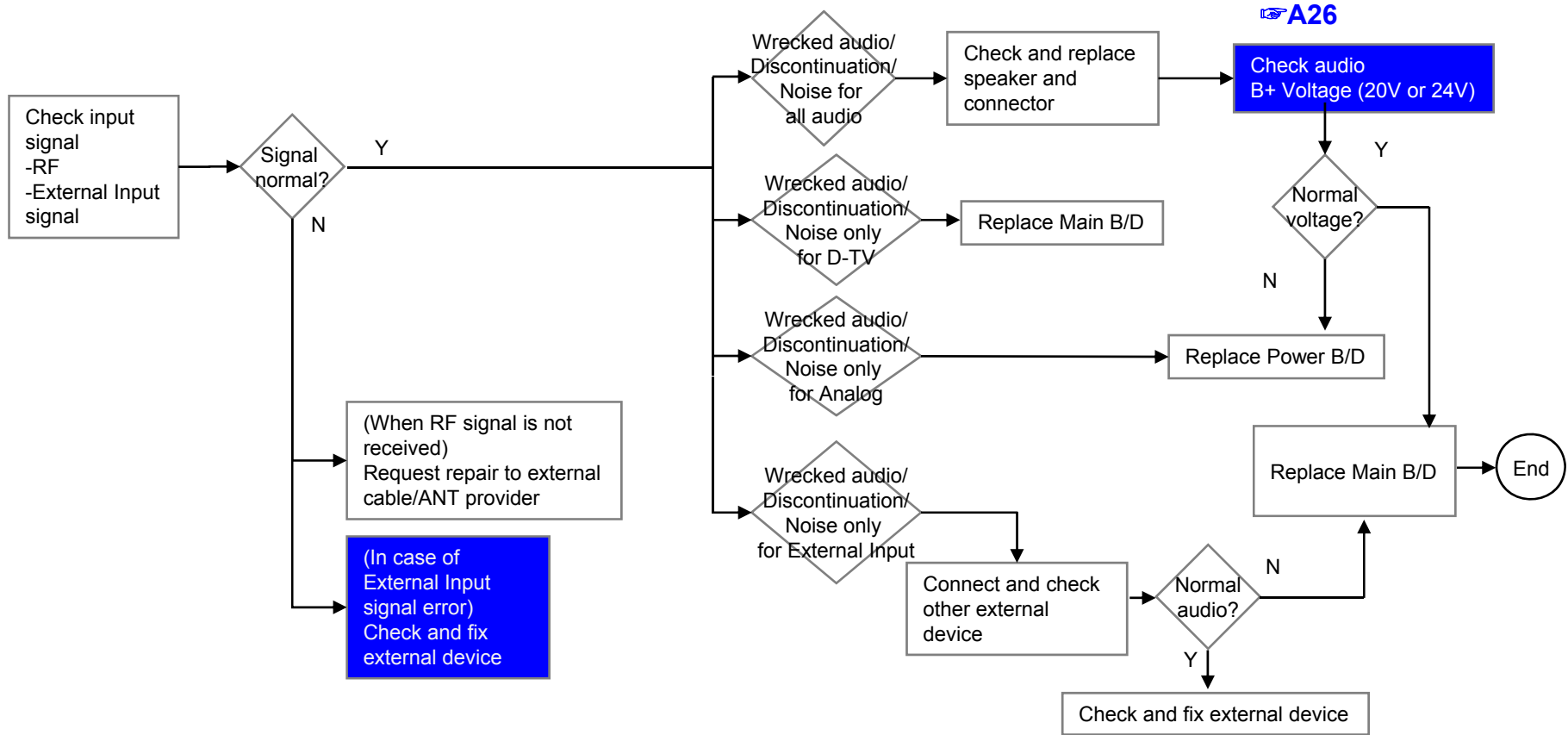
LCD TV	Error symptom	C. Audio error	Established date	2008. 3 .26	
		No audio/ Normal video	Revised date		8/13



Standard Repair Process

LCD TV	Error symptom	C. Audio error	Established date	2008. 3 .26	
		Wrecked audio/ discontinuation/noise	Revised date		9/13

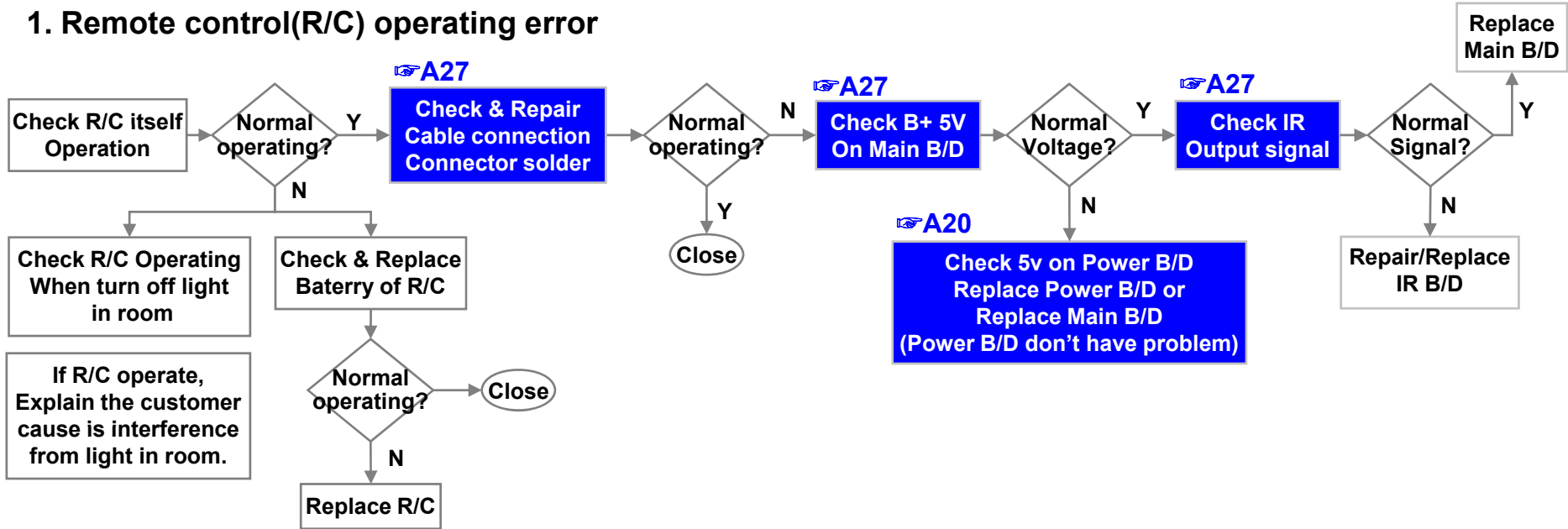
→ Wrecked audio/discontinuation/noise is same after “Check input signal” compared to No audio



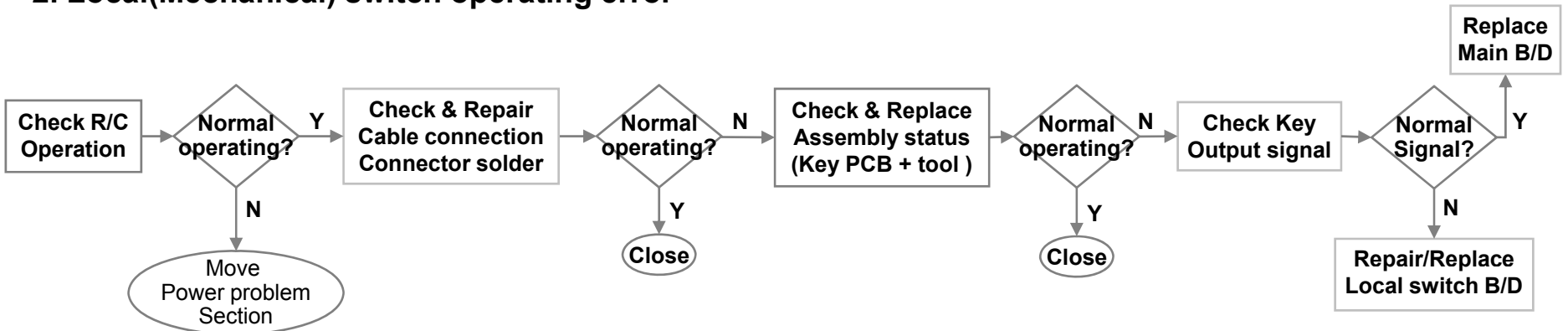
Standard Repair Process

LCD TV	Error symptom	D. General Function Problem	Established date	2008. 3 .26	
		Remote control & Local switch checking	Revised date		10/13

1. Remote control(R/C) operating error

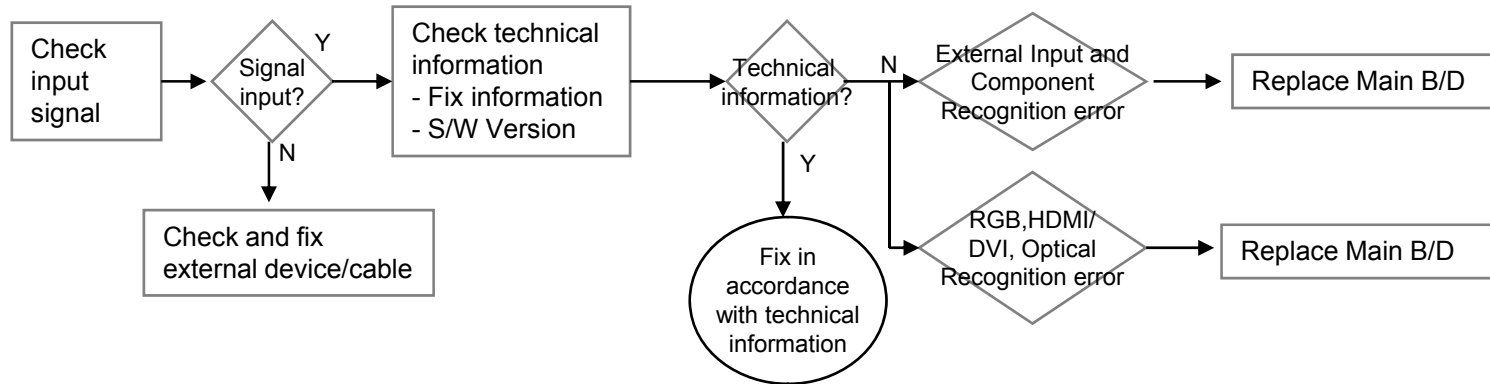


2. Local(Mechanical) switch operating error



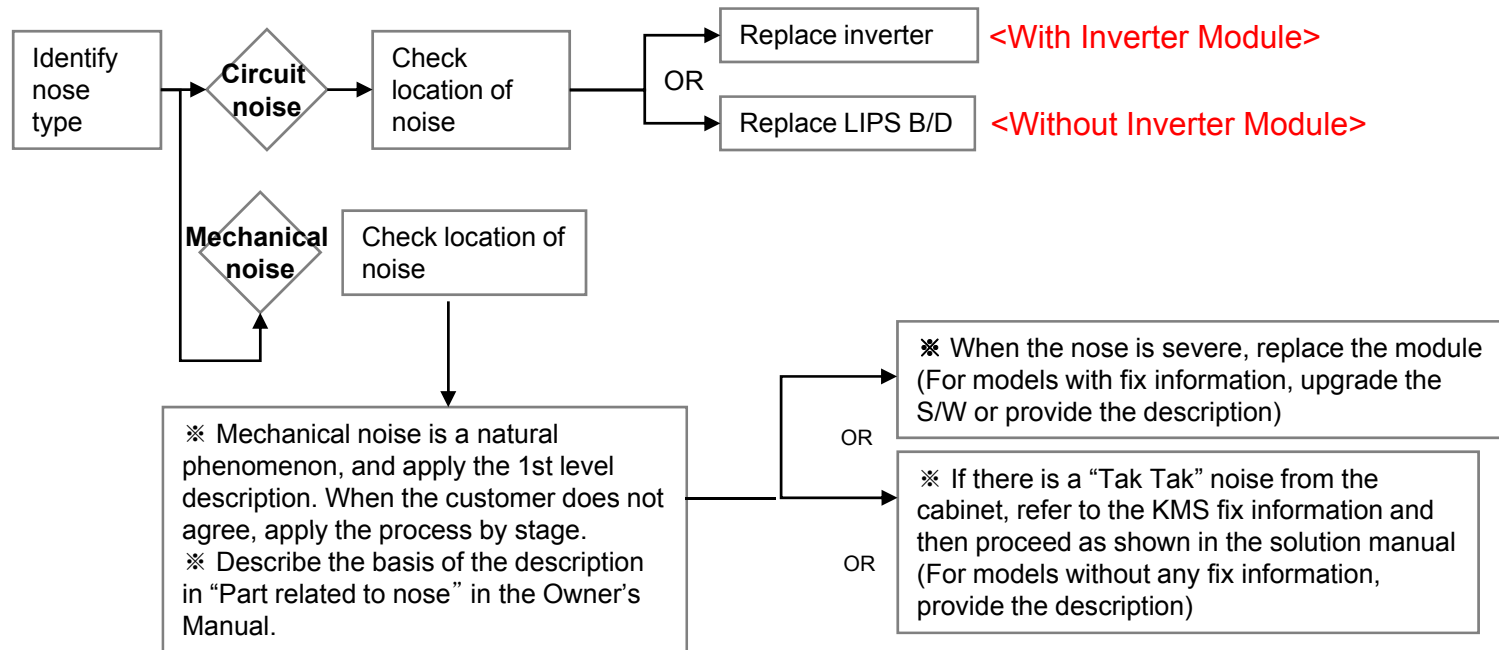
Standard Repair Process

LCD TV	Error symptom	D. Function error	Established date	2008. 3 .26	
		External device recognition error	Revised date		11/13



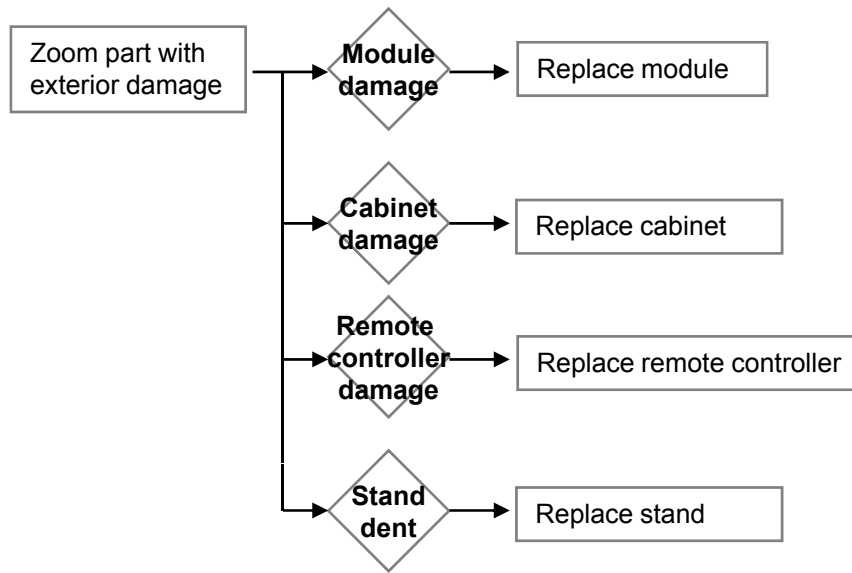
Standard Repair Process

LCD TV	Error symptom	E. Noise	Established date	2008. 3 .26	
		Circuit noise, mechanical noise	Revised date		12/13



Standard Repair Process

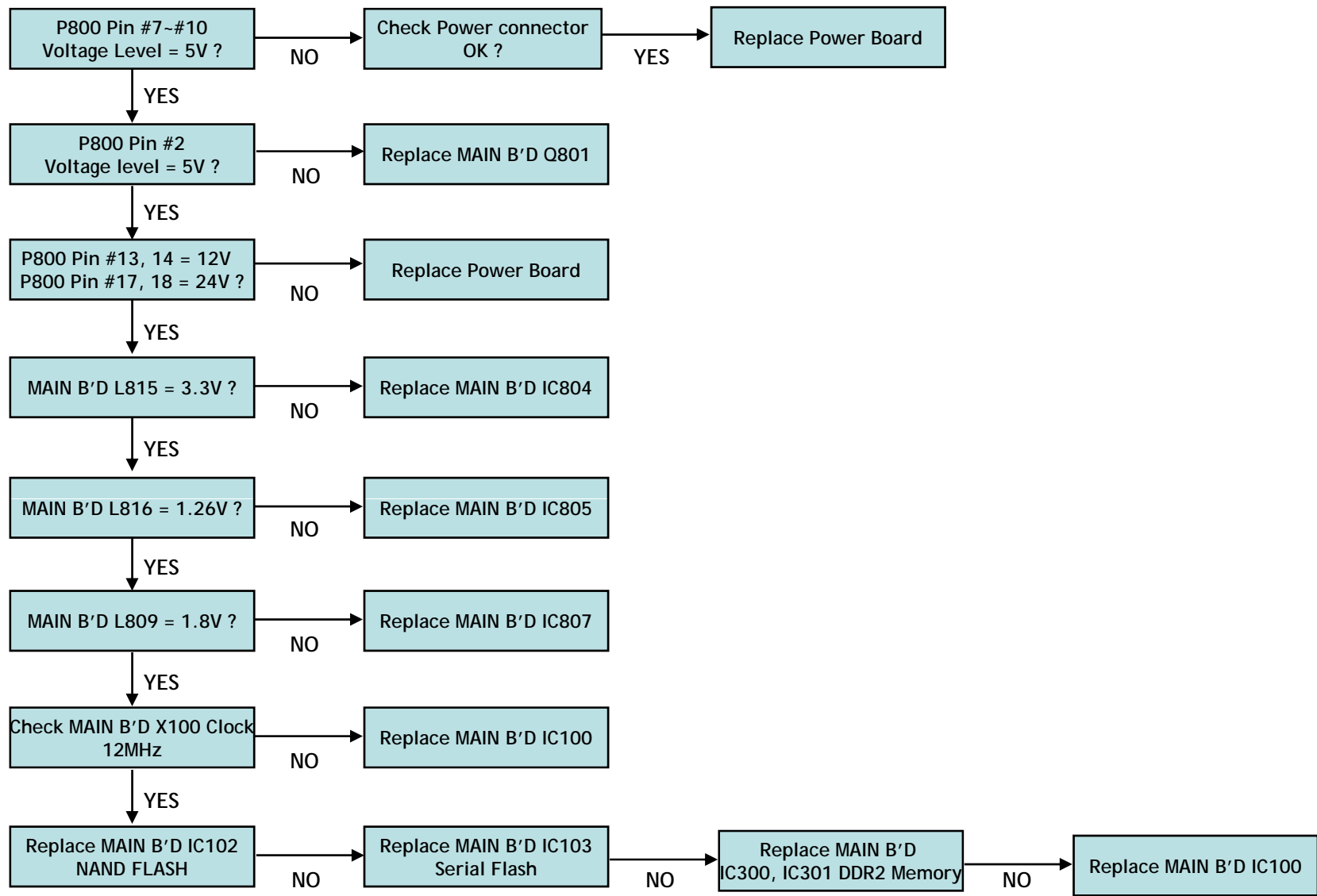
LCD TV	Error symptom	F. Exterior defect	Established date	2008. 3 .26	
		Exterior defect	Revised date		13/13



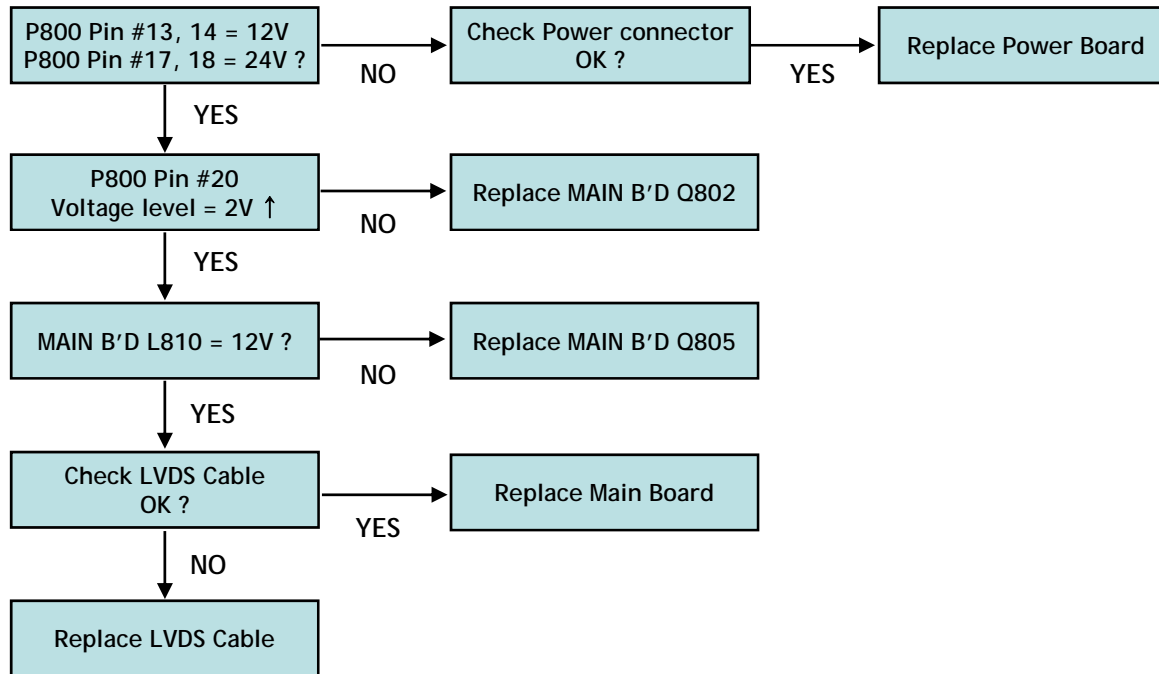
LCD TV Repair Process Index
- Trouble shooting by input block (Component level check)

No.	Symptom (L)	Input Block	Page	Remark
1	Power Problem	Power-up Boot fail	1~2	
2	Video Problem	No OSD	3~4	
3		Digital TV	5	
4		Analog TV	6	
5		AV (Scart / CVBS/ S-Video)	7~12	
6		Component	13	
7		RGB(D-SUB)	14~15	
8		HDMI	16~17	
9		Audio Problem	All Input	18
10	Digital TV		19	
11	Analog TV		20	
12	AV / Component / RGB, HDMI-PC/ HDMI-DTV		21~26	
13	AV Audio out / No Audio (Headphone & SPDIF)		27~30	
14	USB / Remocon Problem	USB no connect / Remocon	31~33	
15	Intelligent Sensor	Intelligent Sensor	34	

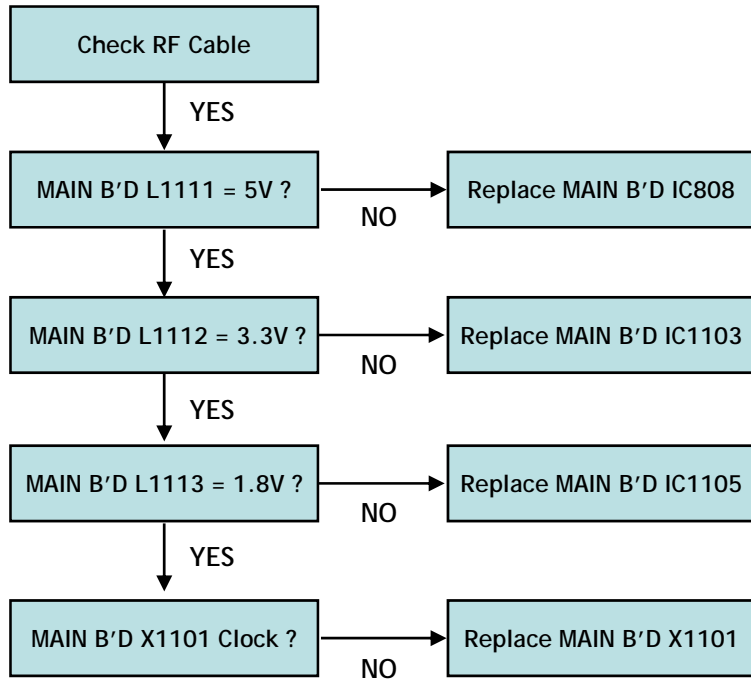
LCD TV	Symptom	Power-Up Boot Fail	Making	2009. 2 . 1	
			Revision		1/25



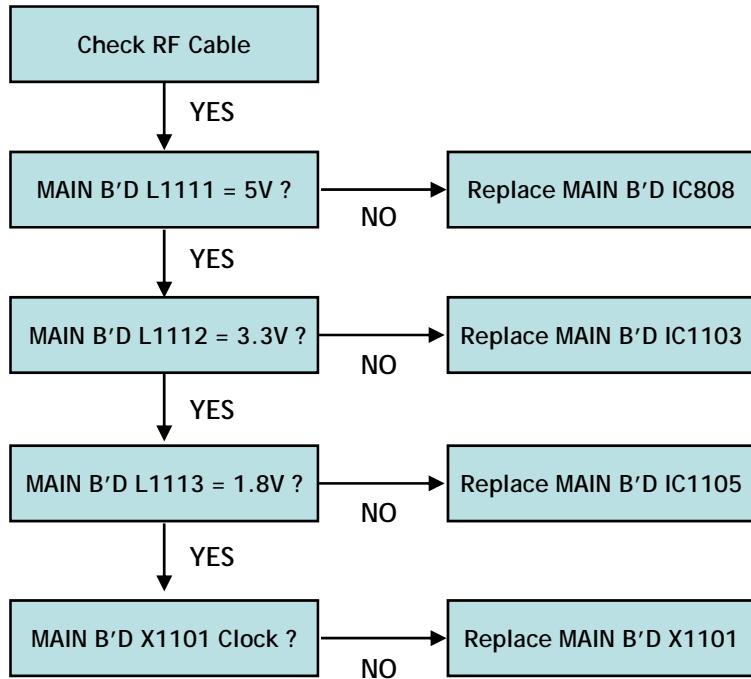
LCD TV	Symptom	No OSD	Making	2009. 2 . 1	
			Revision		2/25



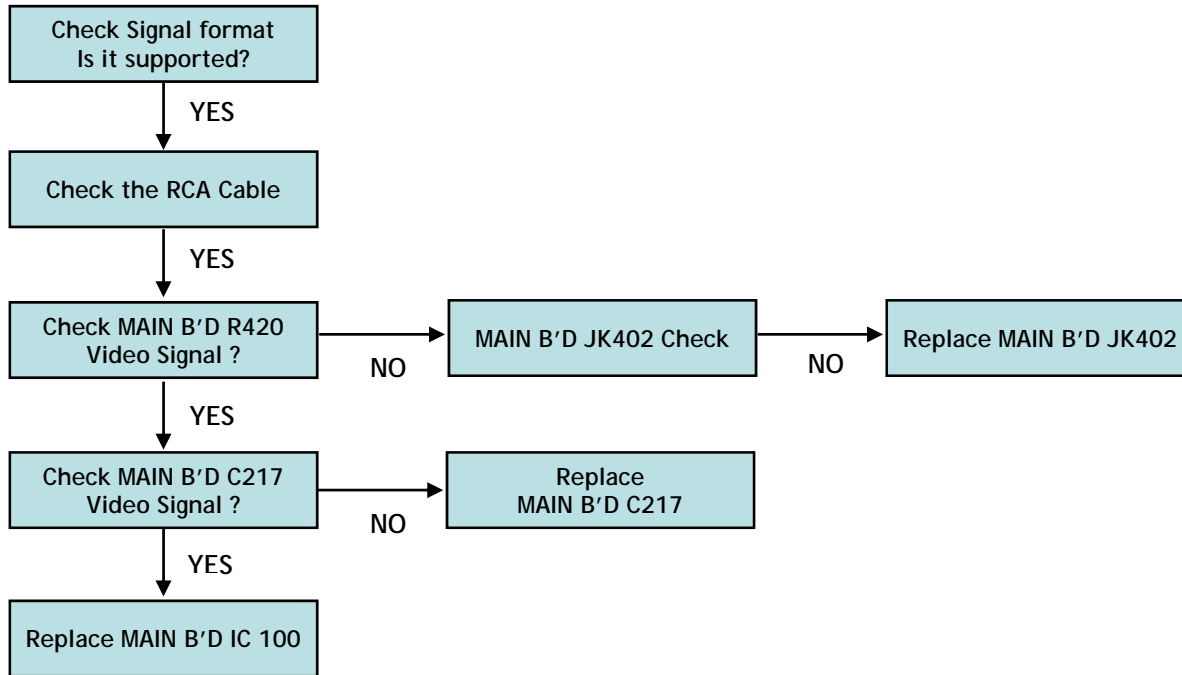
LCD TV	Symptom	Digital TV Video Problem	Making	2009. 2 . 1	
			Revision		3/25



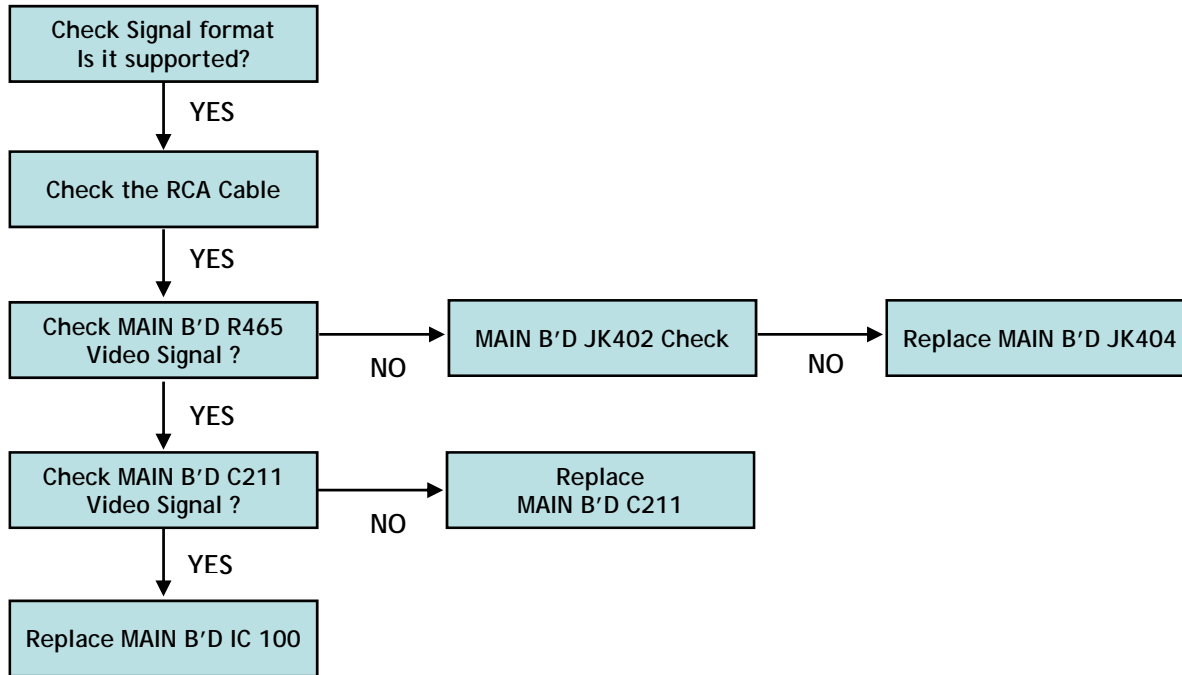
LCD TV	Symptom	Analog TV Video Problem	Making	2009. 2 . 1	
			Revision		4/25



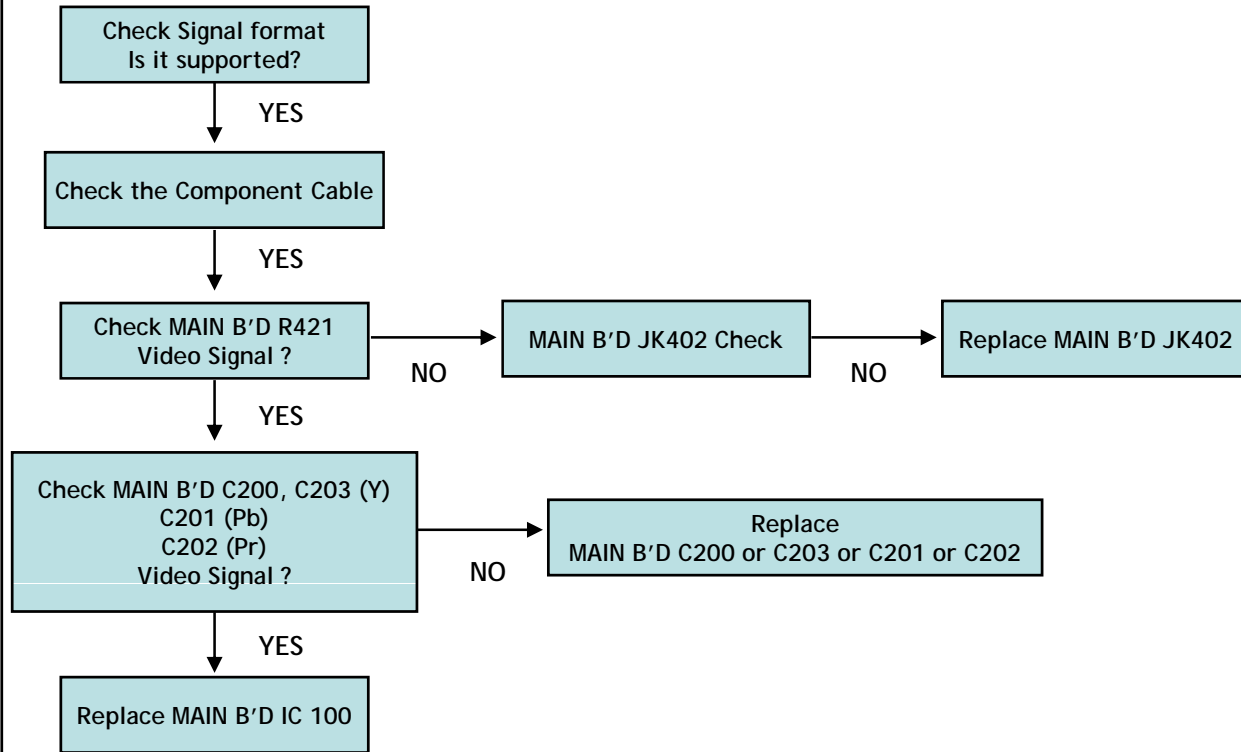
LCD TV	Symptom	AV1 (CVBS) No Video Problem	Making	2009. 2 . 1	
			Revision		5/25



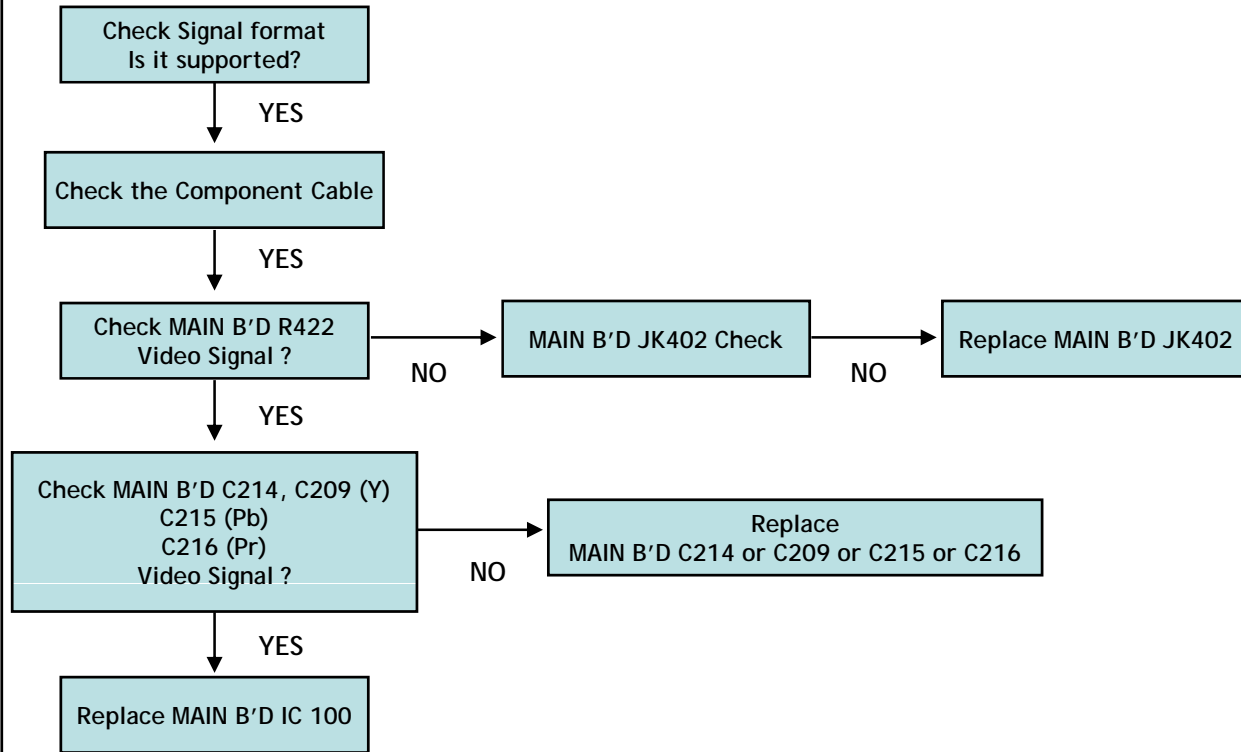
LCD TV	Symptom	AV2 (CVBS) No Video Problem	Making	2009. 2 . 1	
			Revision		6/25



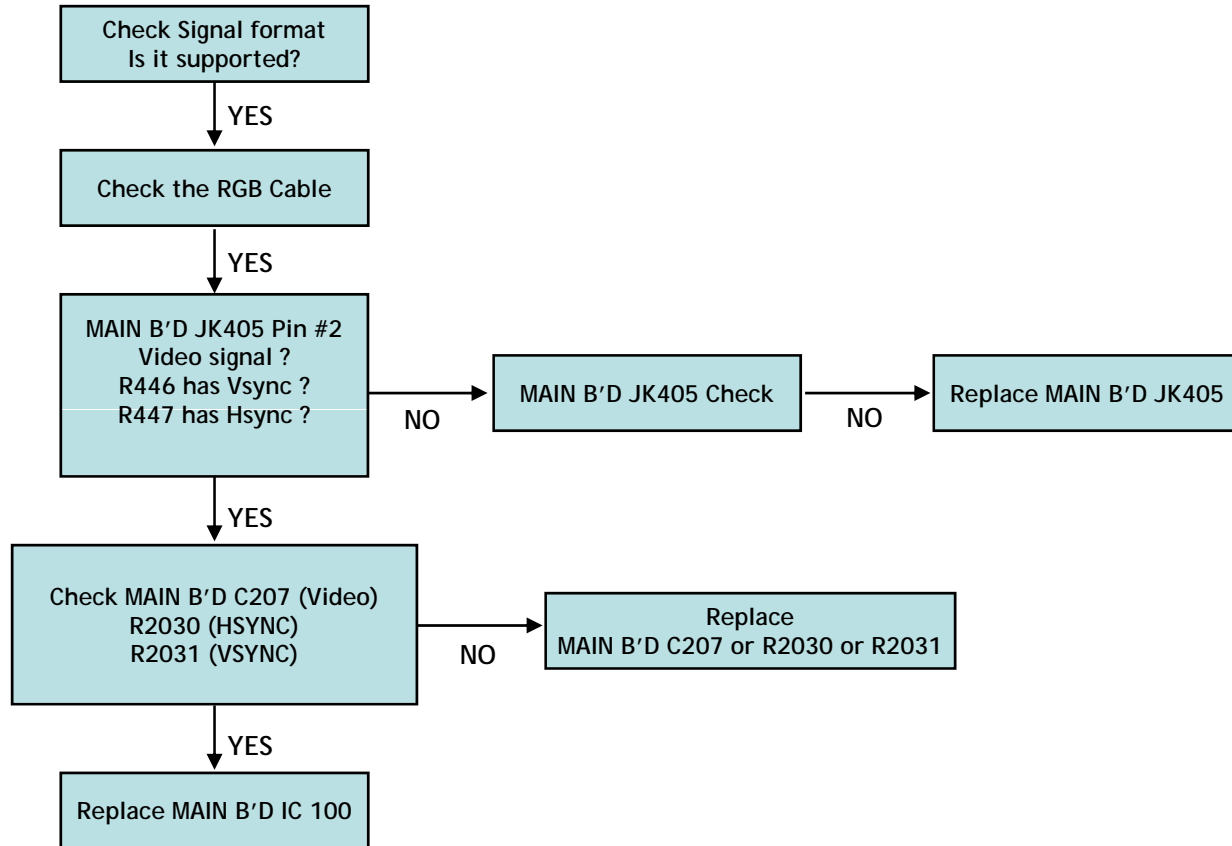
LCD TV	Symptom	Component1 No Video/ No Color Problem	Making	2009. 2 . 1	
			Revision		7/25



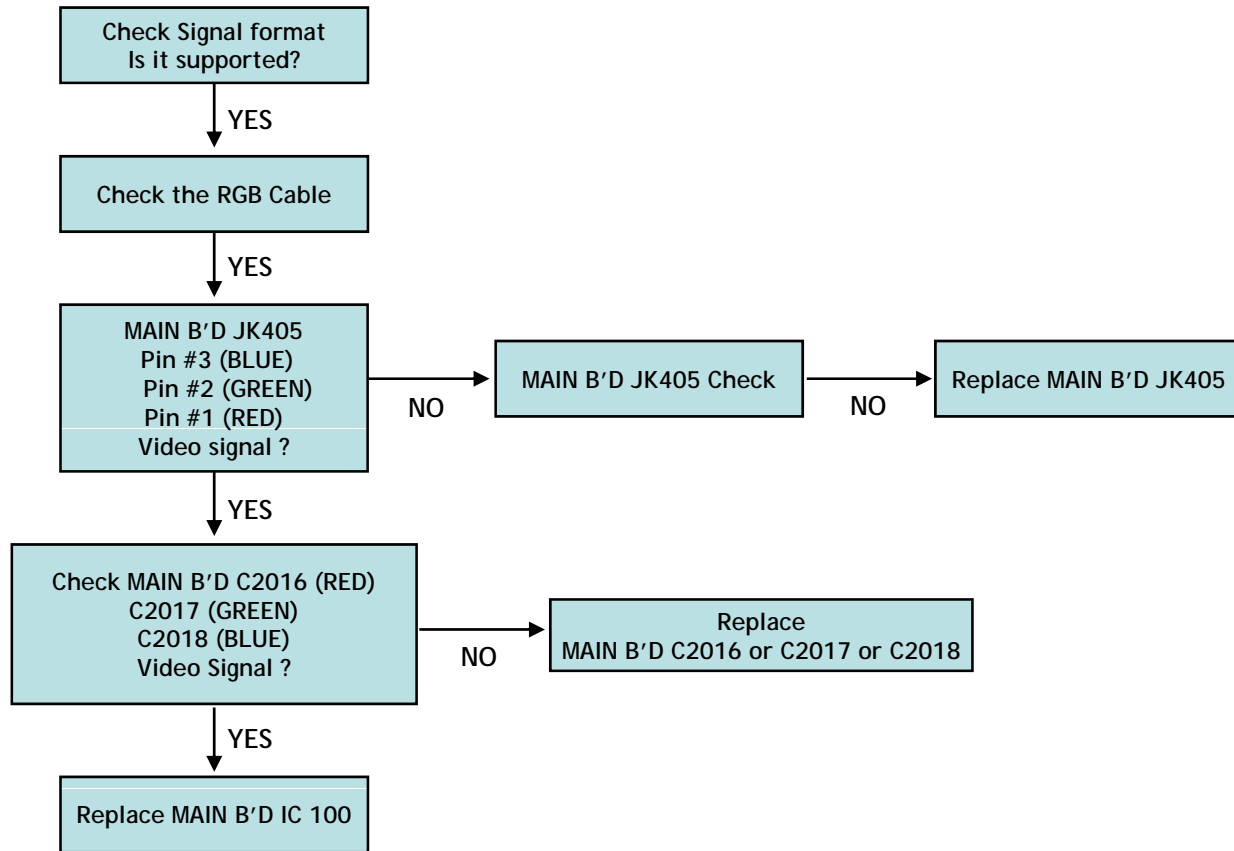
LCD TV	Symptom	Component2 No Video/ No Color Problem	Making	2009. 2 . 1	
			Revision		8/25



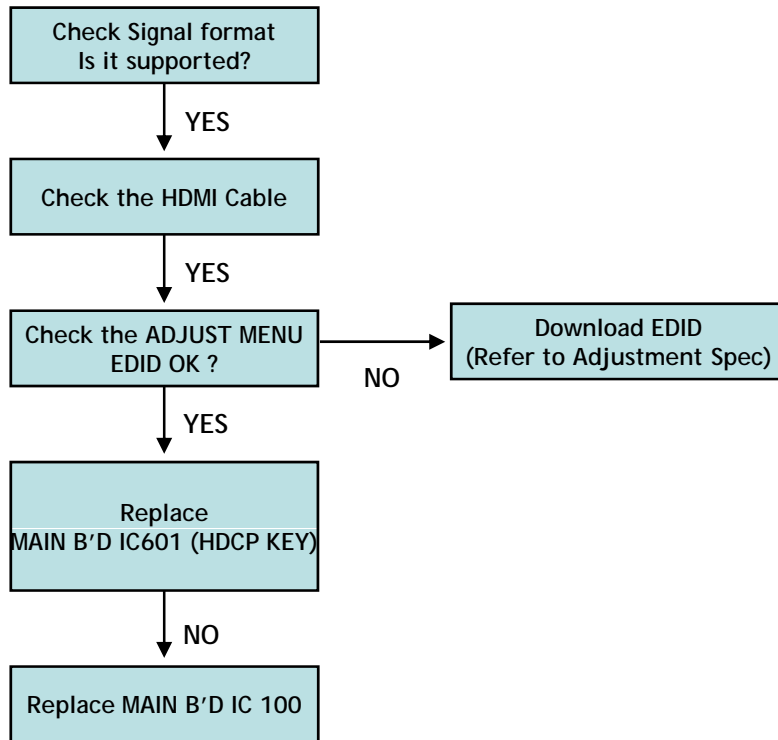
LCD TV	Symptom	RGB No Video Problem	Making	2009. 2 . 1	
			Revision		9/25



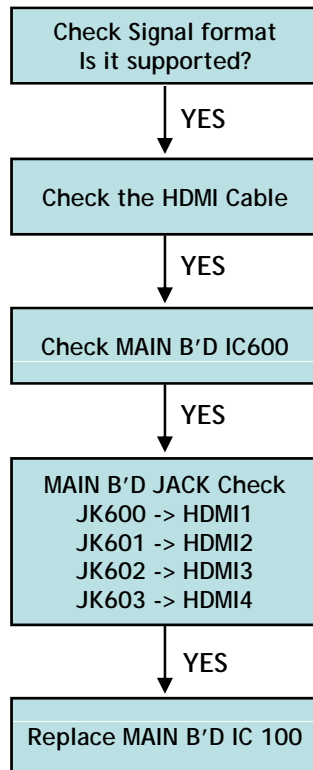
LCD TV	Symptom	RGB No Color Problem	Making	2009. 2 . 1	
			Revision		10/25



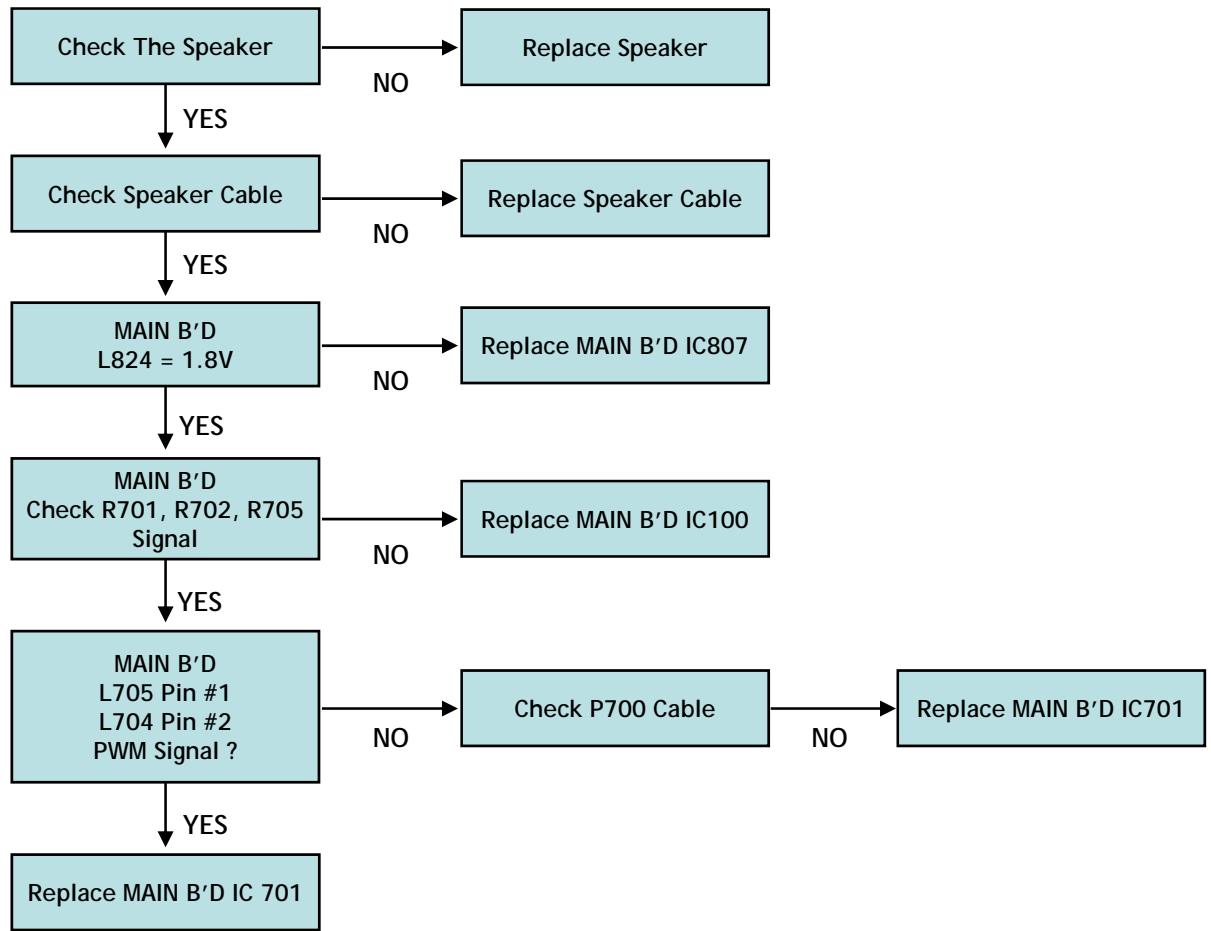
LCD TV	Symptom	HDMI 1~4 All No Video Problem	Making	2009. 2 . 1	
			Revision		11/25



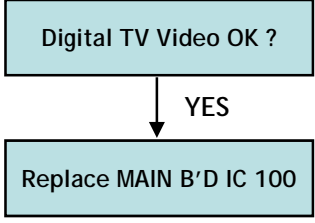
LCD TV	Symptom	HDMI1 or 2 or 3 or 4 No Video Problem	Making	2009. 2 . 1	
			Revision		12/25



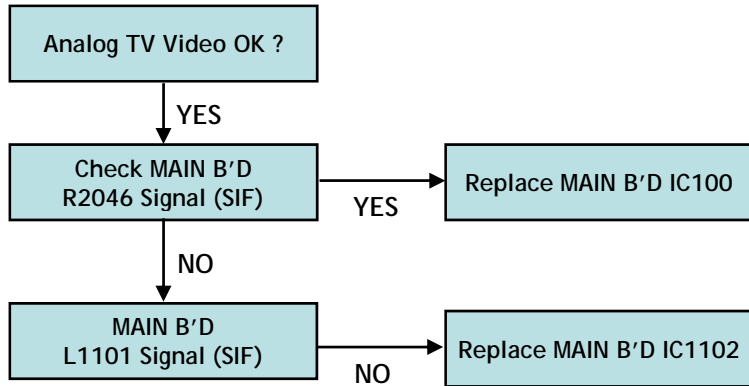
LCD TV	Symptom	All Source no Audio Problem	Making	2009. 2 . 1	
			Revision		13/25



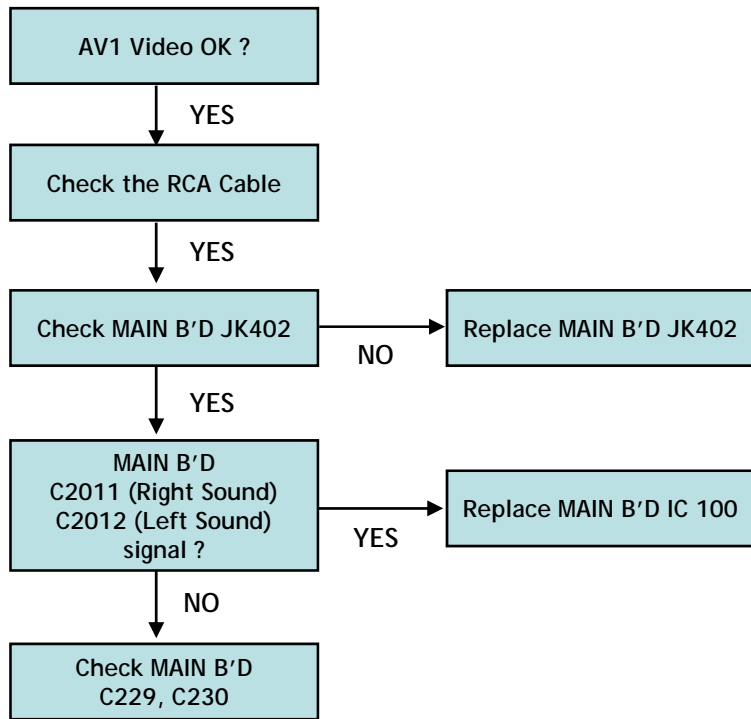
LCD TV	Symptom	Digital TV No Audio Problem	Making	2009. 2 . 1	
			Revision		14/25



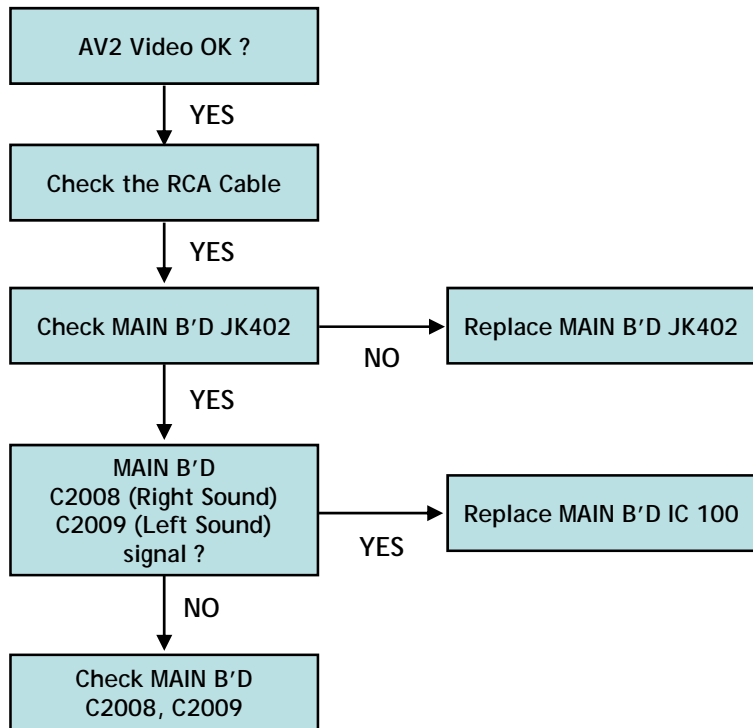
LCD TV	Symptom	Analog TV No Audio Problem	Making	2009. 2 . 1	
			Revision		15/25



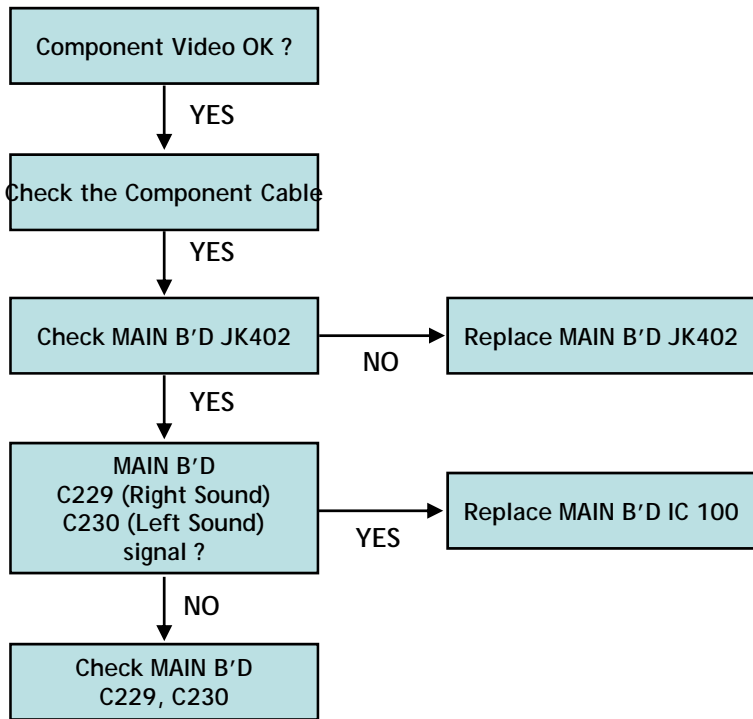
LCD TV	Symptom	AV1 No Audio Problem	Making	2009. 2 . 1	
			Revision		16/25



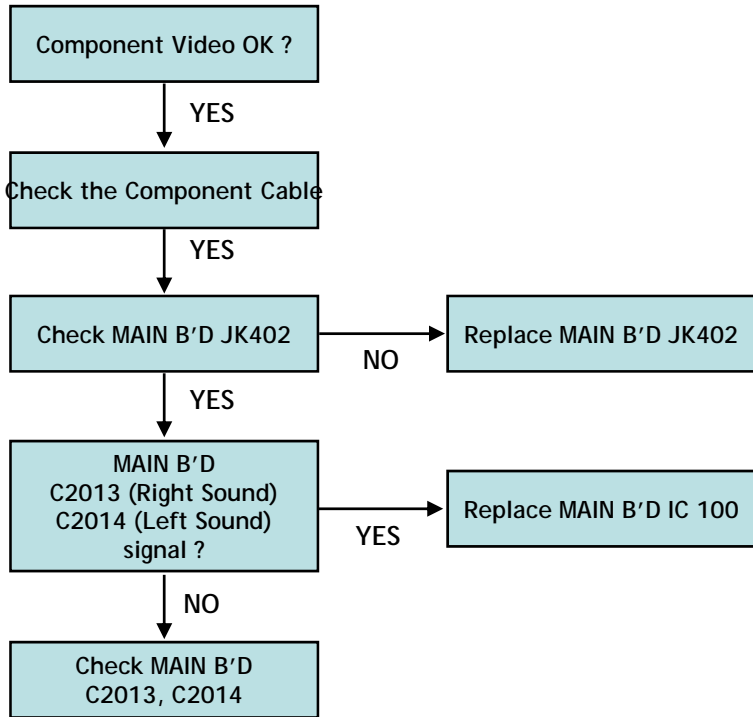
LCD TV	Symptom	AV2 No Audio Problem	Making	2009. 2 . 1	
			Revision		17/25



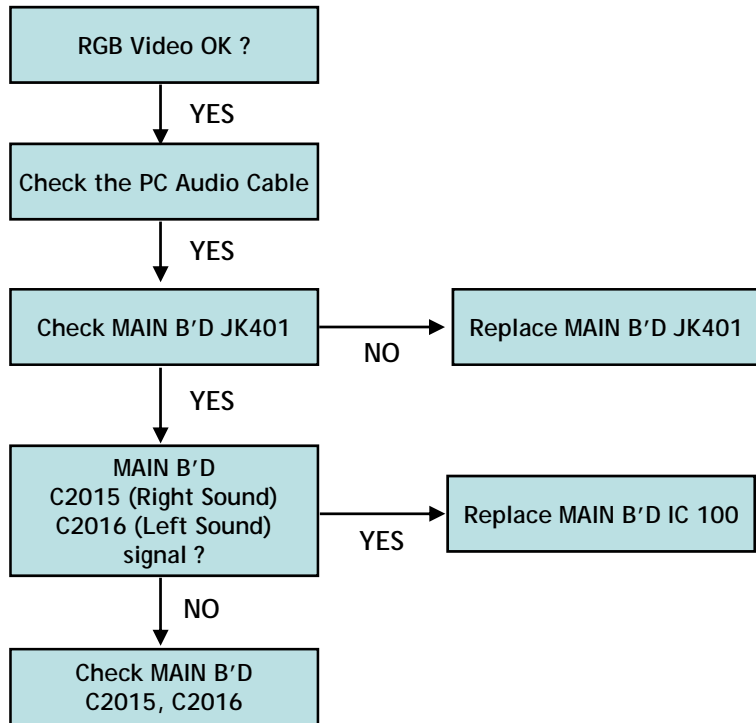
LCD TV	Symptom	Component1 No Audio Problem	Making	2009. 2 . 1	
			Revision		18/25



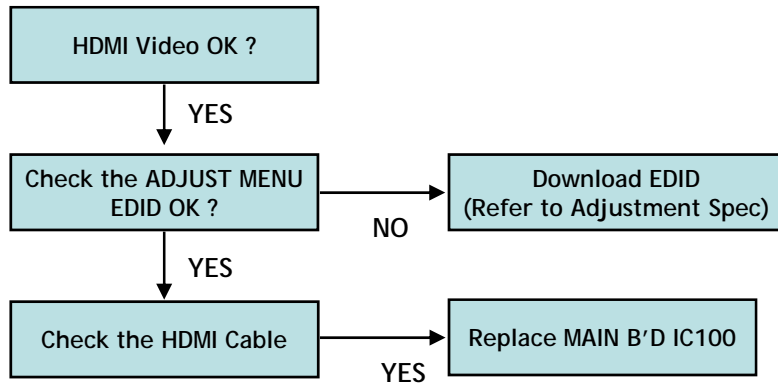
LCD TV	Symptom	Component2 No Audio Problem	Making	2009. 2 . 1	
			Revision		19/25



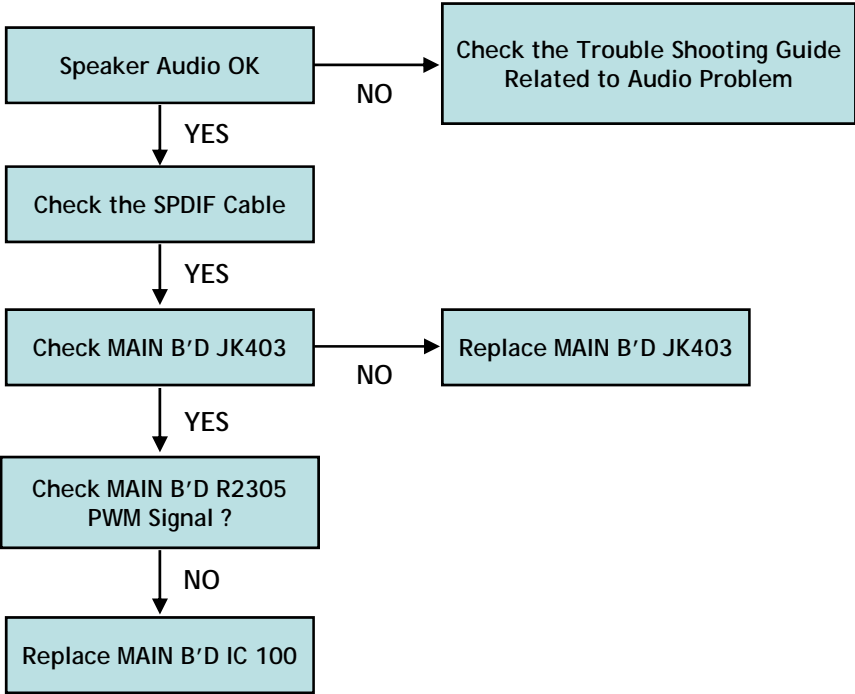
LCD TV	Symptom	RGB, HDMI-PC No Audio Problem	Making	2009. 2 . 1	
			Revision		20/25



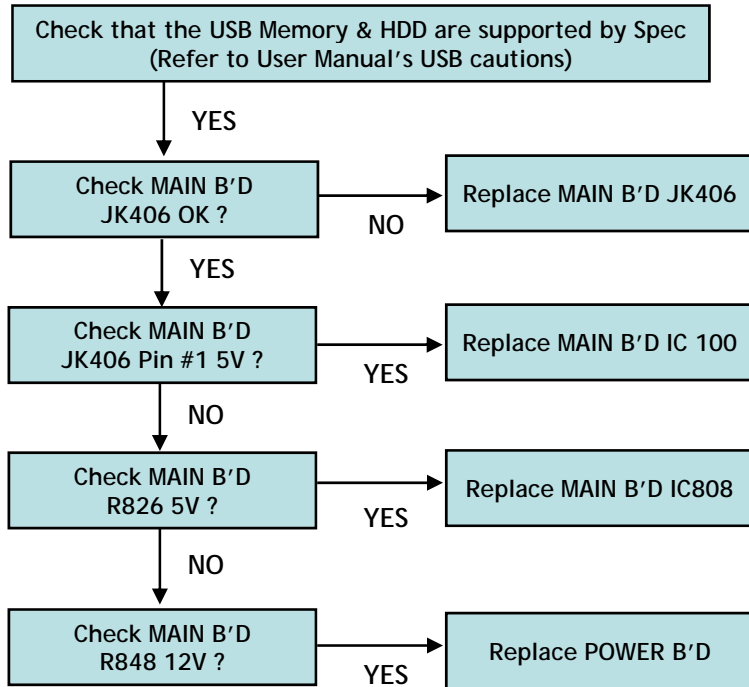
LCD TV	Symptom	HDMI-DTV No Audio Problem	Making	2009. 2 . 1	
			Revision		21/25



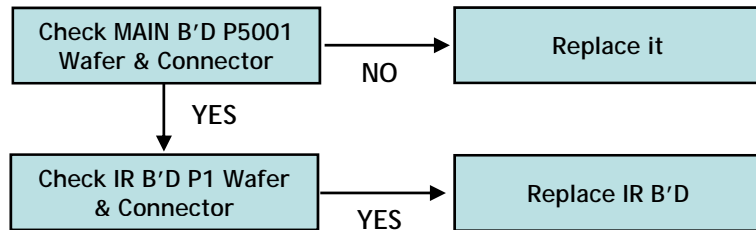
LCD TV	Symptom	SPDIF No Audio Problem	Making	2009. 2 . 1	
			Revision		22/25



LCD TV	Symptom	USB No Connect Problem	Making	2009. 2 . 1	
			Revision		23/25



LCD TV	Symptom	Remote Control Problem	Making	2009. 2 . 1	
			Revision		24/25



LCD TV	Symptom	Intelligent Sensor Problem	Making	2009. 2 . 1	
			Revision		25/25

