

TOSHIBA

FILE NO. 040-200324

SERVICE MANUAL

COLOUR TELEVISION

SR9PJ Chassis

43CSR6UR

SCHEMATIC DIAGRAM

MODEL : 43CSR6UR

WARNING: BEFORE SERVICING THIS CHASSIS, READ THE "X-RAY RADIATION PRECAUTION", "SAFETY PRECAUTION" AND "PRODUCT SAFETY NOTICE" ON THE MANUAL FOR THIS MODEL.

CAUTION: The international hazard symbols " \triangle " in the schematic diagram and the parts list designate components which have special characteristics important for safety and should be replaced only with types identical to those in the original circuit or specified in the parts list. The mounting position of replacements is to be identical with originals. Before replacing any of these components, read carefully the PRODUCT SAFETY NOTICE on the MANUAL for this model. Do not degrade the safety of the receiver through improper servicing.

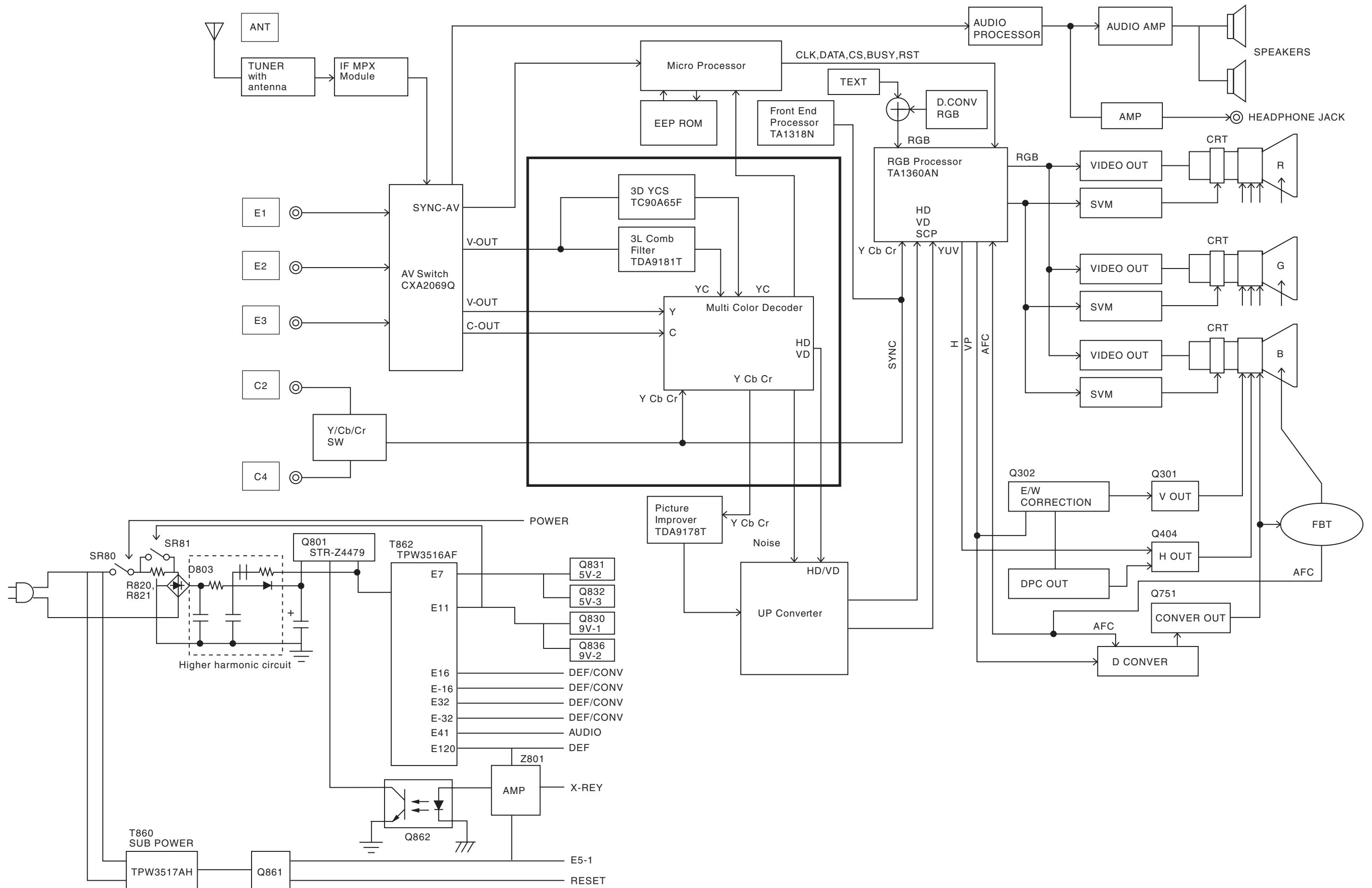
NOTE:

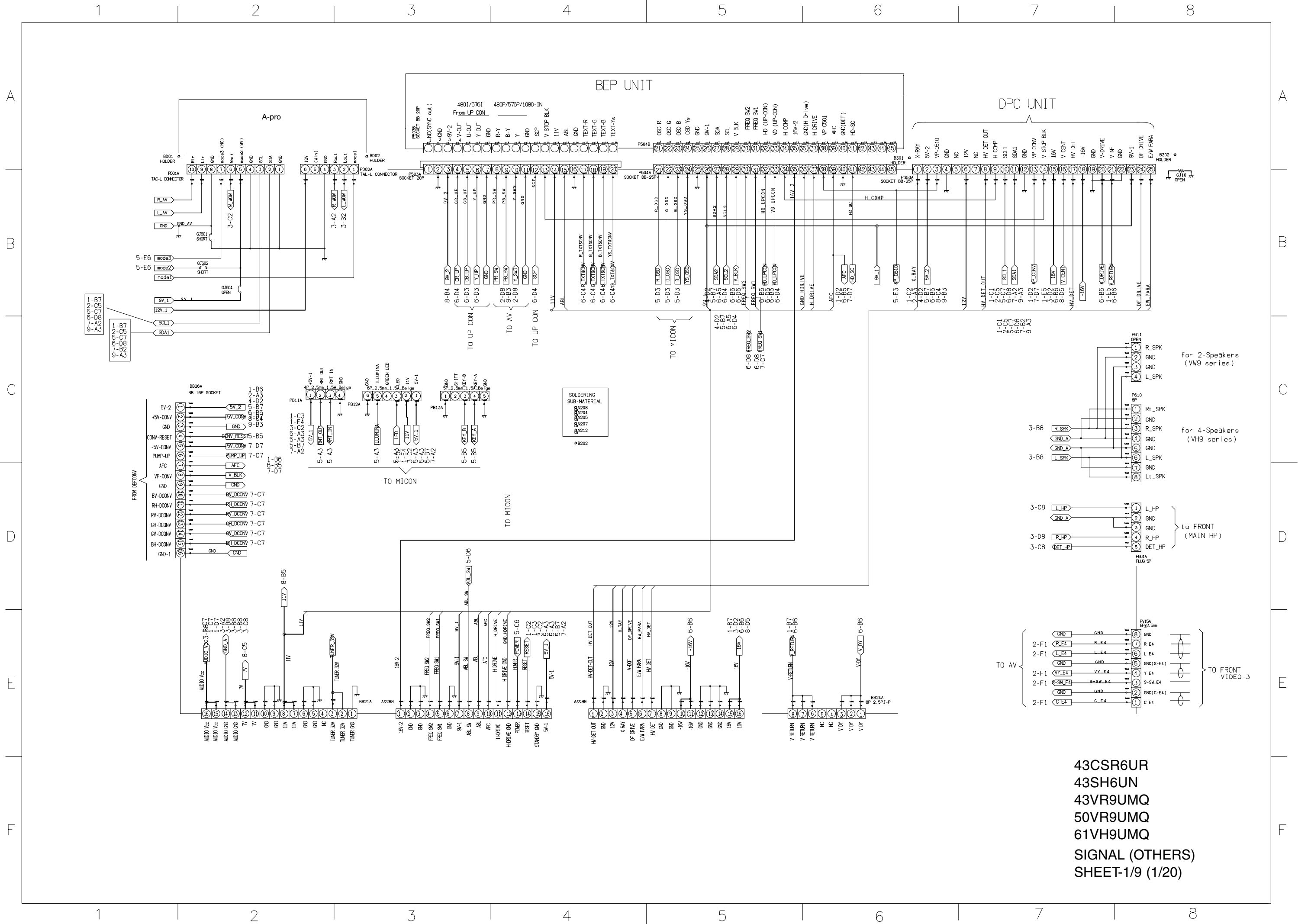
1. RESISTOR Resistance is shown in ohm [K = 1.000, M = 1.000.000]. All resistors are 1/6W and 5% tolerance carbon resistor, unless otherwise noted as the following marks.
 1/2R = Metal or Metal oxide of 1/2 watt 1/2S = Carbon composition of 1/2 watt
 1RF = Fuse resistor of 1 watt 10W = Cement of 10 watt
 K = $\pm 10\%$ G = $\pm 2\%$ F = $\pm 1\%$
2. CAPACITOR Unless otherwise noted in schematic, all capacitor values less than 1 are expressed in μF , and the values more than 1 in pF.
 All capacitors are ceramic 50V, unless otherwise noted as the following marks.
 $\text{---}^+||\text{---}$ Electrolytic capacitor $\text{---}^\oplus||\text{---}$ Mylar capacitor
3. The parts indicated with " \triangle " have special characteristics, and should be replaced with identical parts only.
4. Voltages read with DIGITAL MULTI-METER from point indicated to chassing ground, using a color bar signal with all controls at normal, line voltage 220 volts.
5. Waveforms are taken receiving color bar signal with enough sensitivity.
6. Voltage reading shown are nominal values and may vary $\pm 20\%$ except H.V.

■ SCHEMATIC DIAGRAM STRUCTURE:

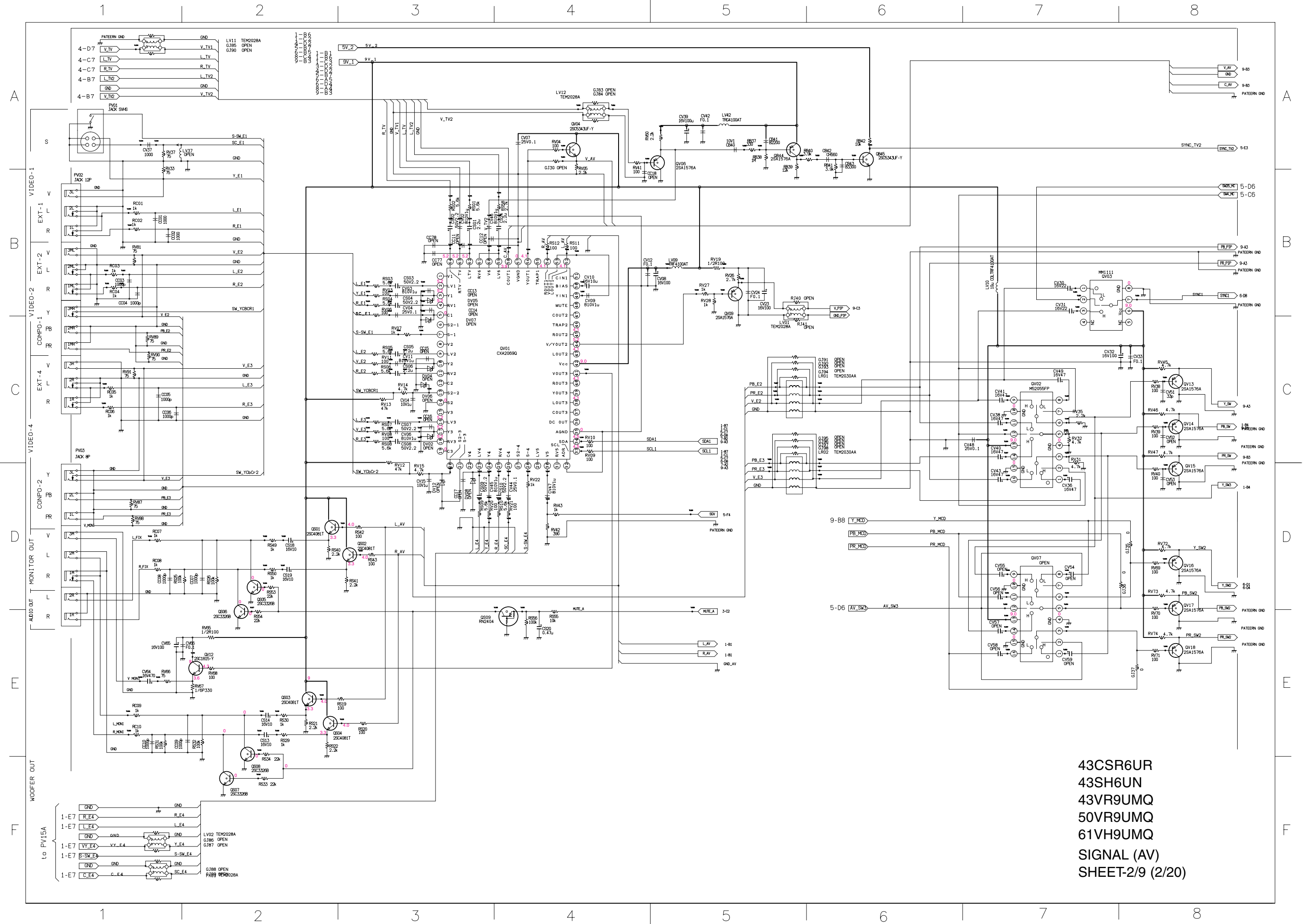
SIGNAL Circuit	OTHERS	[SHEET - 1/9]	1/20
	AV	[SHEET - 2/9]	2/20
	SOUND	[SHEET - 3/9]	3/20
	IF	[SHEET - 4/9]	4/20
	MICON	[SHEET - 5/9]	5/20
	FEP/V-OUT OTHER	[SHEET - 6/9]	6/20
	D-CONV	[SHEET - 7/9]	7/20
	REGU-OUT	[SHEET - 8/9]	8/20
	3D-YCS/OTHER	[SHEET - 9/9]	9/20
POWER Circuit			10/20
DEF/CONV. Circuit	(1/3)	[SHEET - 1/3]	11/20
	(2/3)	[SHEET - 2/3]	12/20
	(3/3)	[SHEET - 3/3]	13/20
CRT-D (for HD)/SVM Circuit	(1/2)	[SHEET - 1/2]	14/20
	(2/2)	[SHEET - 2/2]	15/20
BEP (for HD)			16/20
DPC			17/20
Apro			18/20
TEXT			19/20
FRONT			20/20

CIRCUIT BLOCK DIAGRAM (43CSR6UR)





43CSR6UR
 43SH6UN
 43VR9UMQ
 50VR9UMQ
 61VH9UMQ
 SIGNAL (OTHERS)
 SHEET-1/9 (1/20)



- 43CSR6UR
- 43SH6UN
- 43VR9UMQ
- 50VR9UMQ
- 61VH9UMQ
- SIGNAL (AV)
- SHEET-2/9 (2/20)

1

2

3

4

5

6

7

8

A

B

C

D

E

F

A

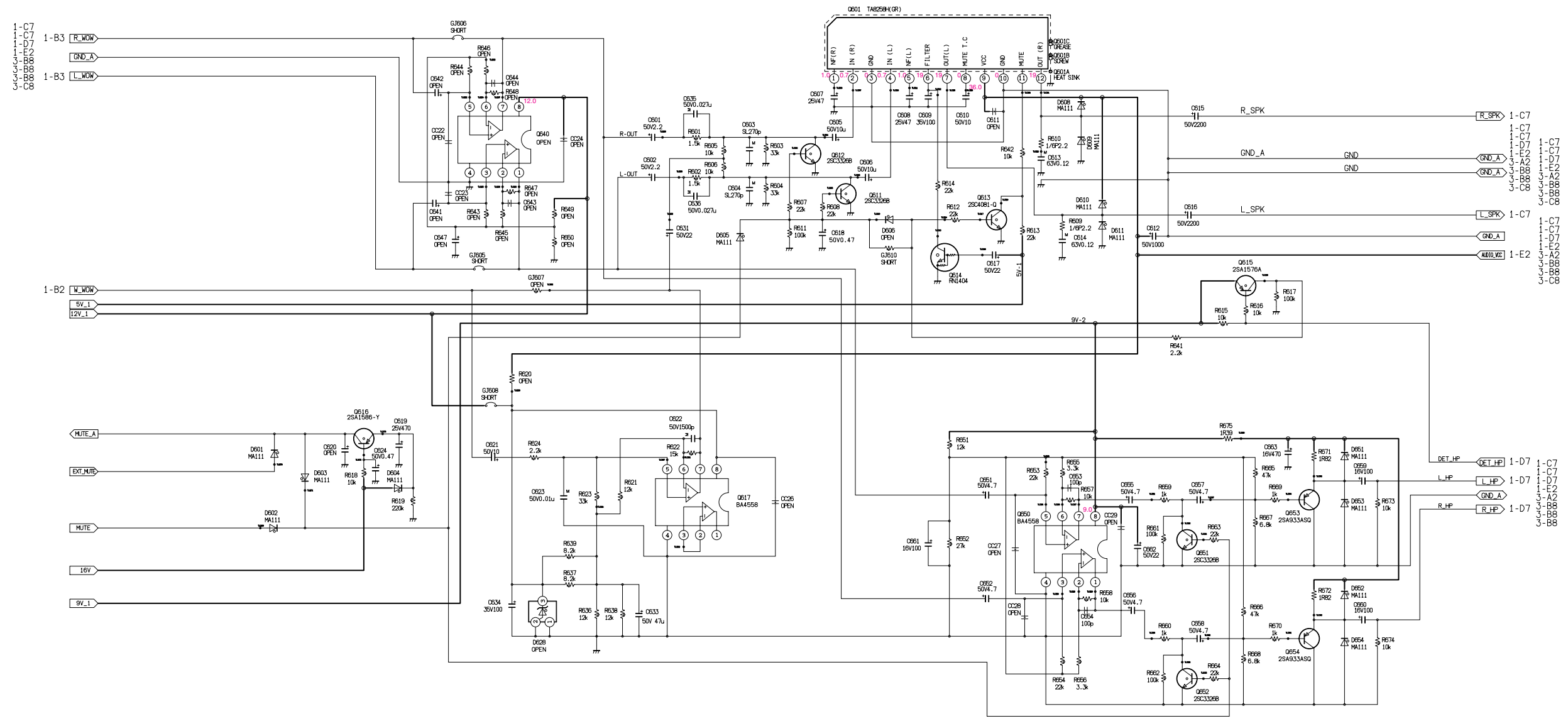
B

C

D

E

F



43CSR6UR
 43SH6UN
 43VR9UMQ
 50VR9UMQ
 61VH9UMQ
 SIGNAL (SOUND)
 SHEET-3/9 (3/20)

1

2

3

4

5

6

7

8

A

B

C

D

E

F

A

B

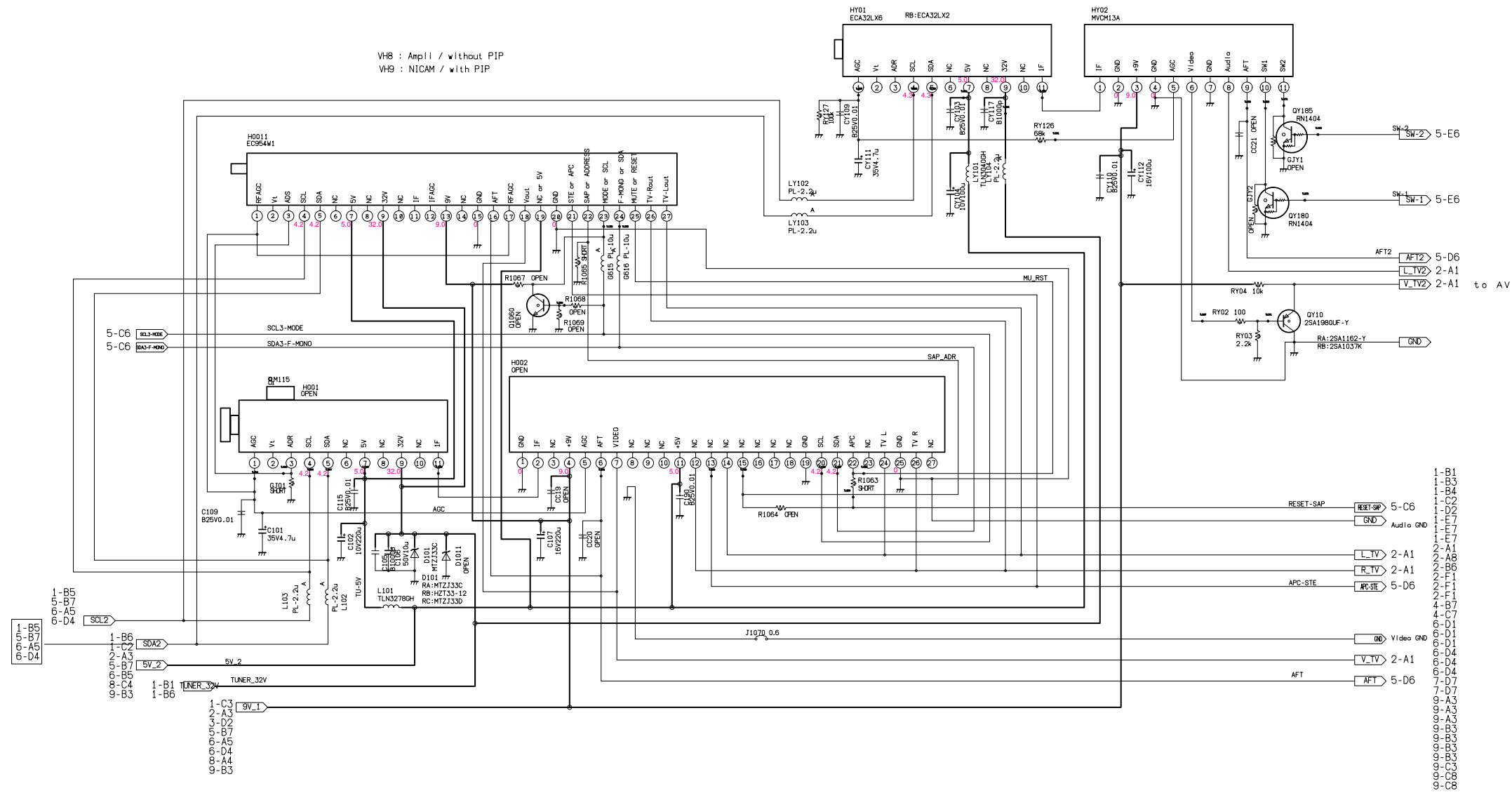
C

D

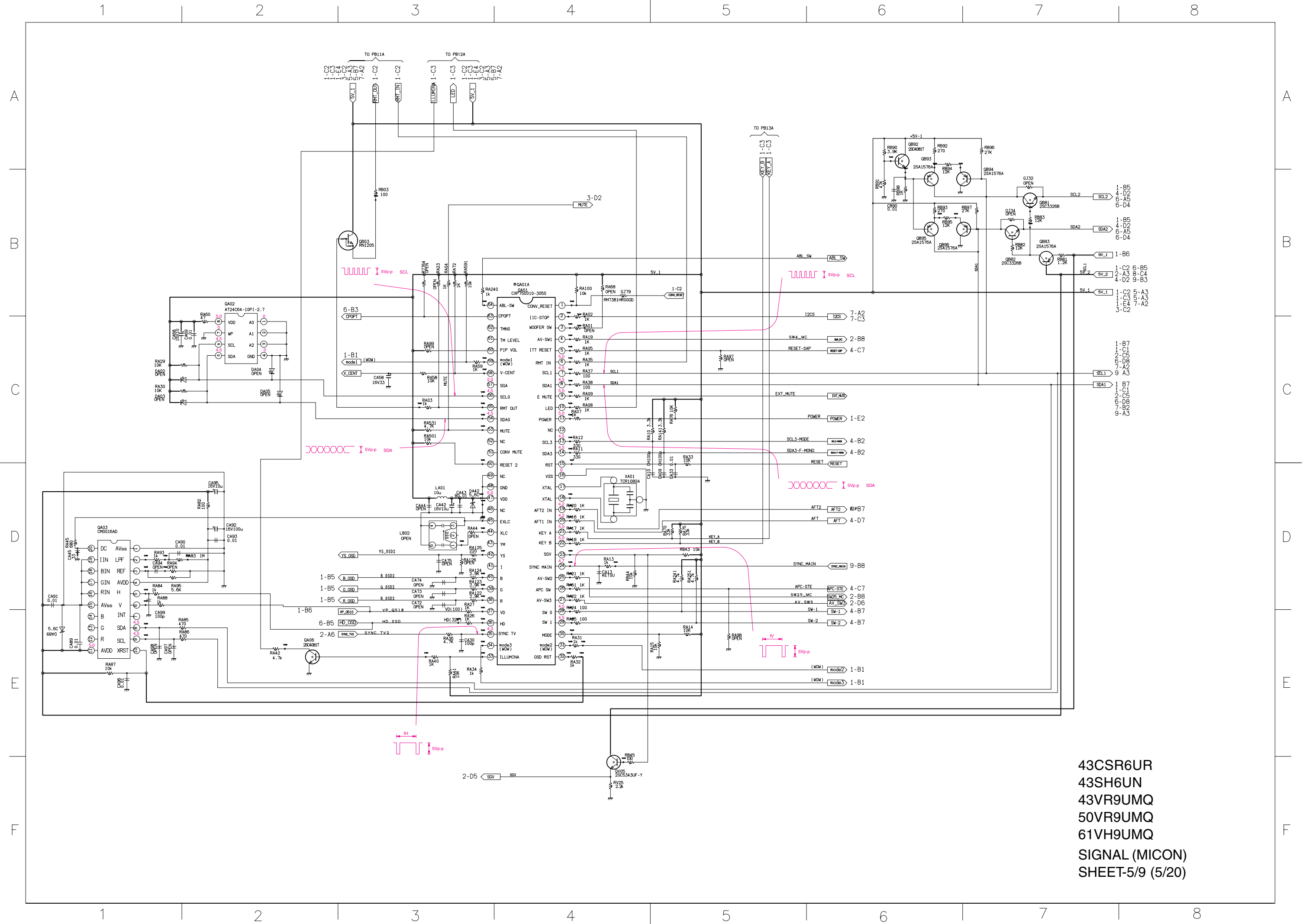
E

F

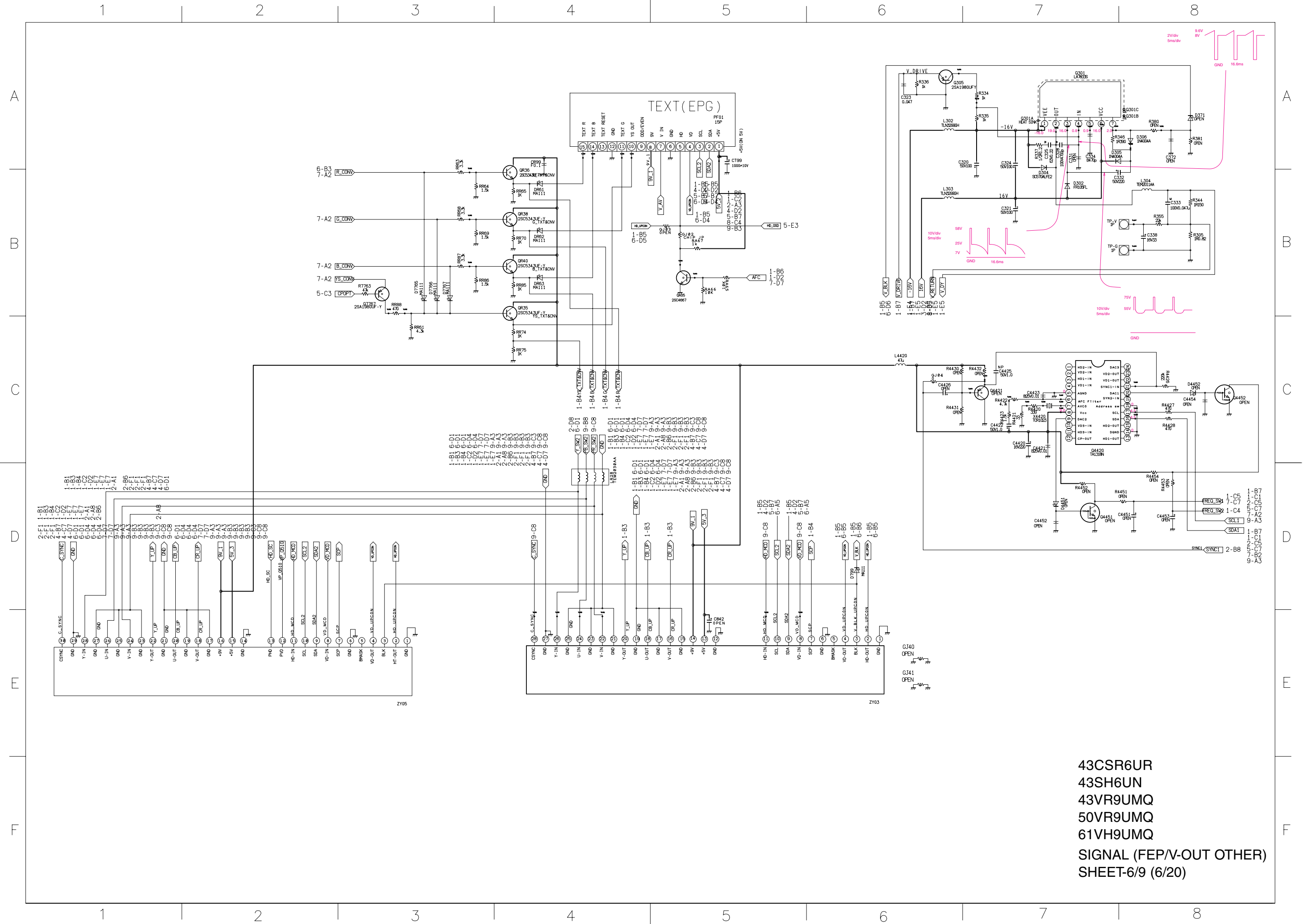
VH8 : Ampli / without PIP
VH9 : NICAM / with PIP



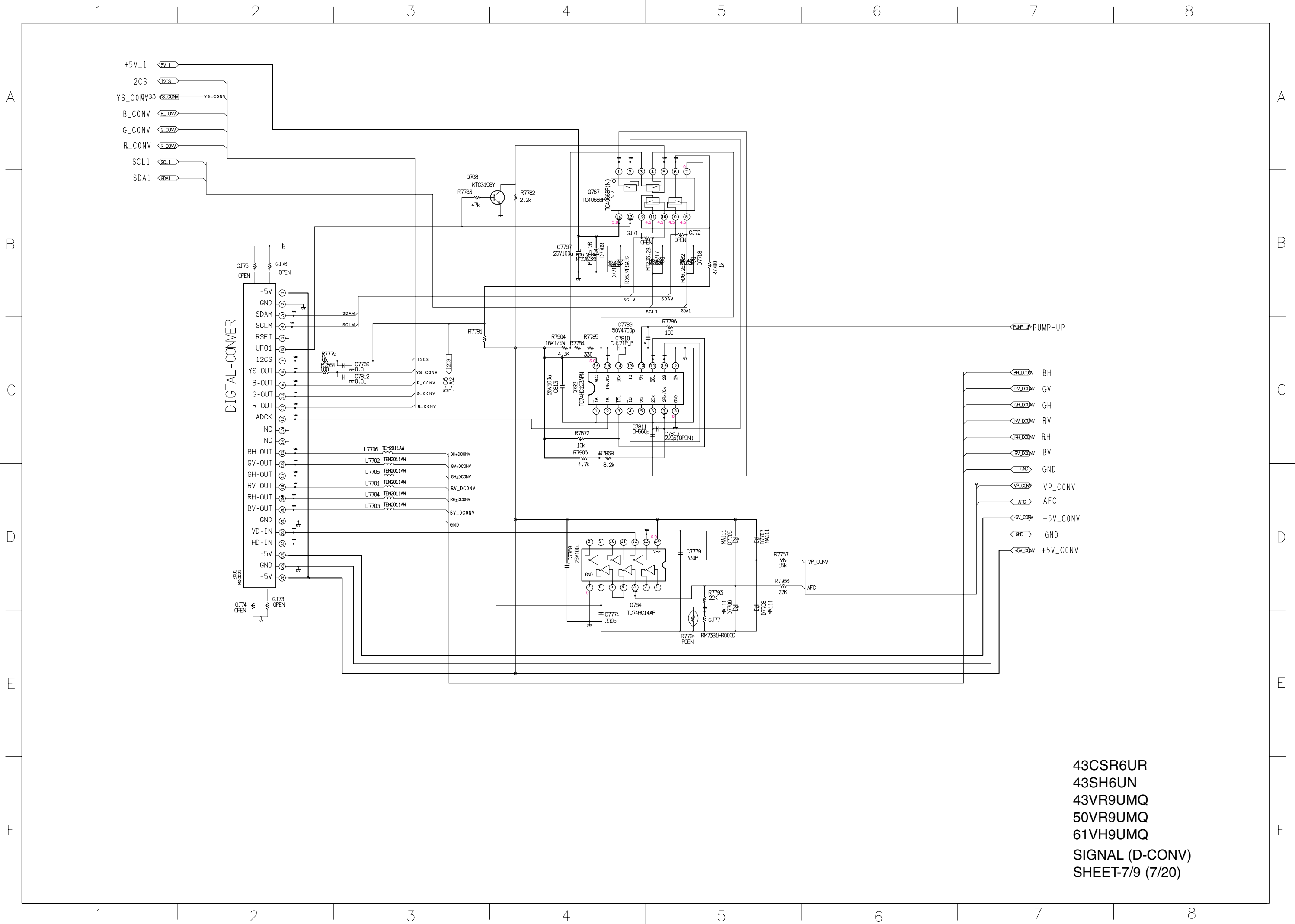
43CSR6UR
 43SH6UN
 43VR9UMQ
 50VR9UMQ
 61VH9UMQ
 SIGNAL (IF)
 SHEET-4/9 (4/20)



43CSR6UR
 43SH6UN
 43VR9UMQ
 50VR9UMQ
 61VH9UMQ
 SIGNAL (MICON)
 SHEET-5/9 (5/20)



43CSR6UR
 43SH6UN
 43VR9UMQ
 50VR9UMQ
 61VH9UMQ
 SIGNAL (FEP/V-OUT OTHER)
 SHEET-6/9 (6/20)



43CSR6UR
 43SH6UN
 43VR9UMQ
 50VR9UMQ
 61VH9UMQ
 SIGNAL (D-CONV)
 SHEET-7/9 (7/20)

1

2

3

4

5

6

7

8

A

B

C

D

E

F

A

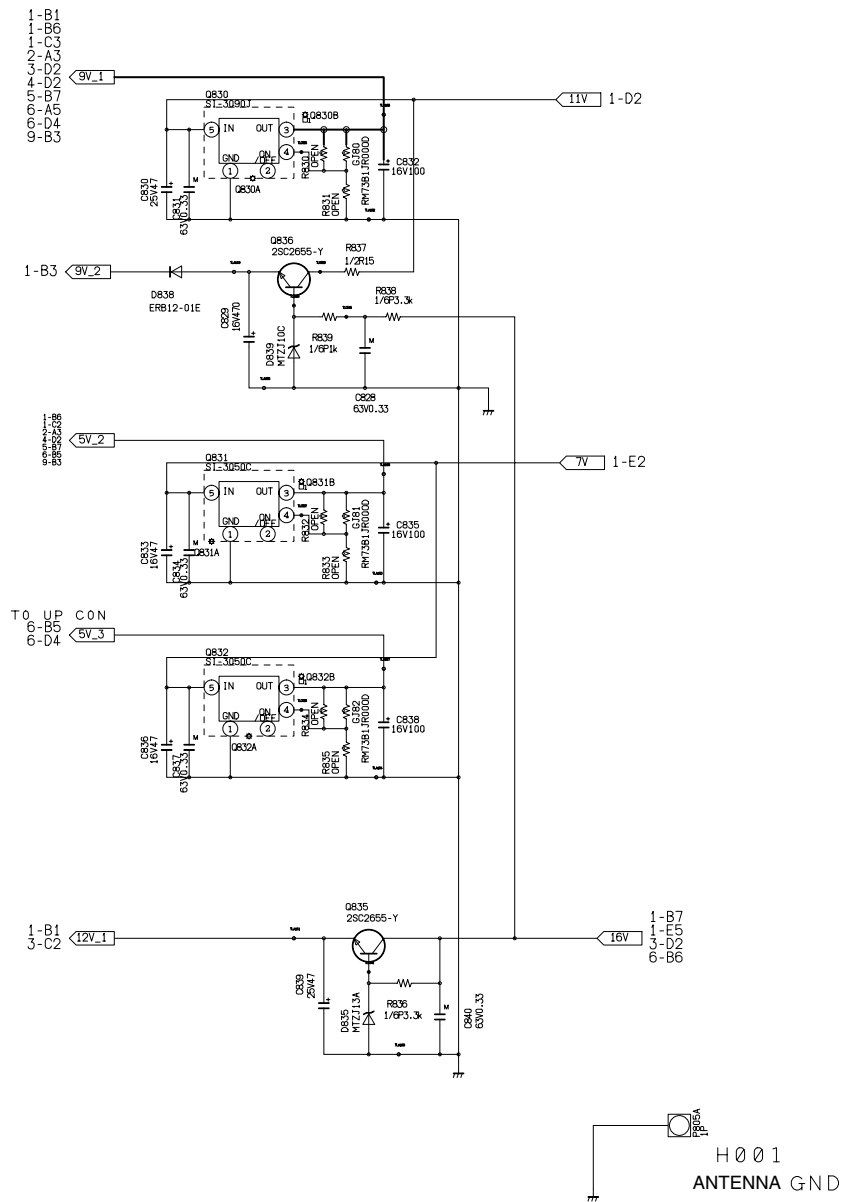
B

C

D

E

F



43CSR6UR
 43SH6UN
 43VR9UMQ
 50VR9UMQ
 61VH9UMQ
 SIGNAL (REGU-OUT)
 SHEET-8/9 (8/20)

1

2

3

4

5

6

7

8

A

B

C

D

E

F

A

B

C

D

E

F

LIVE AREA

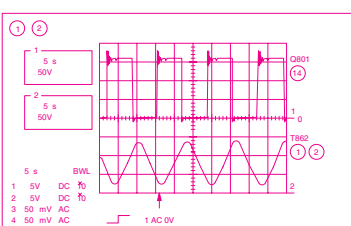
ASIA MODEL

LIVE AREA

LIVE AREA

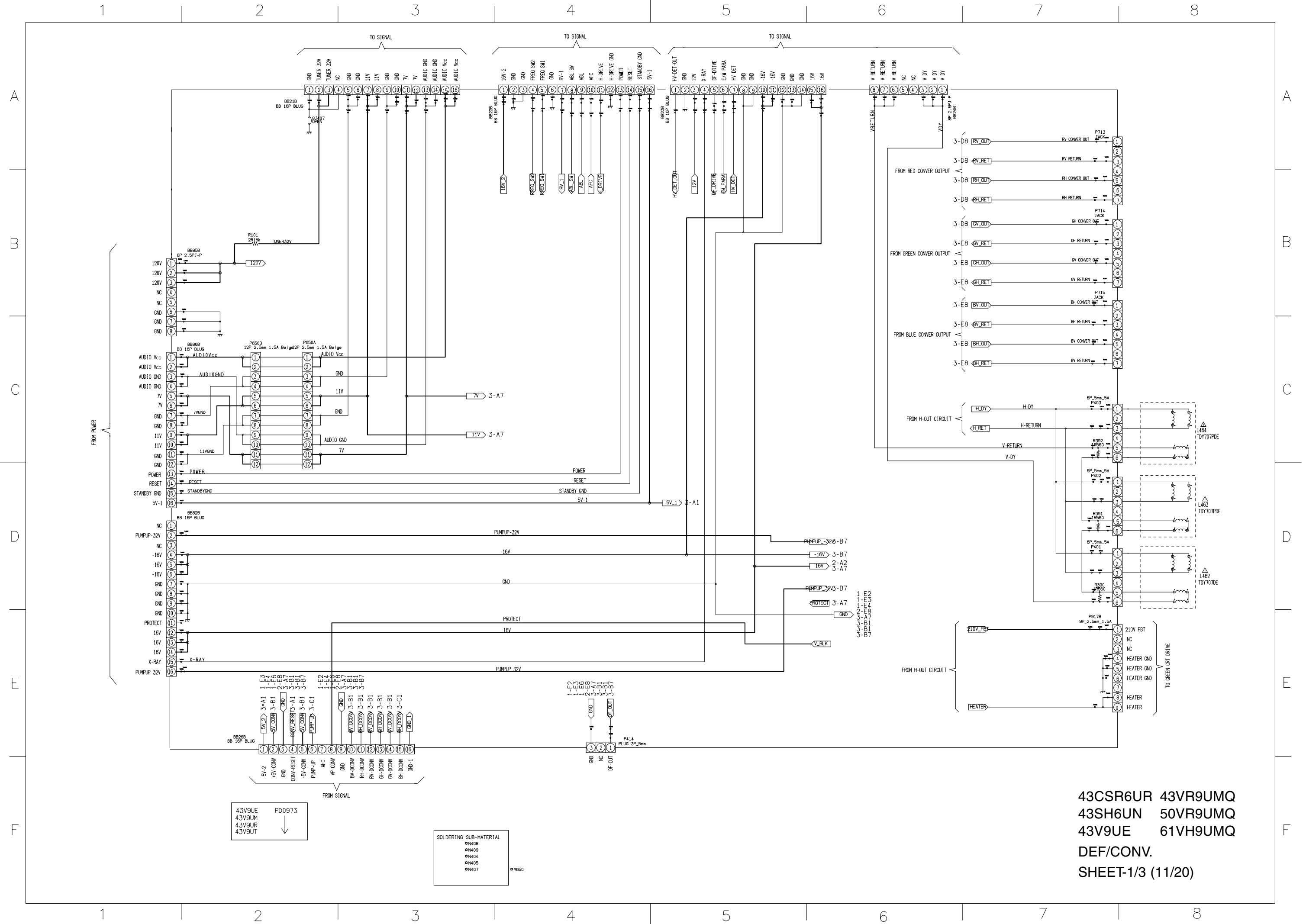
- 43VH9UA
- 43VH9UE
- 50VH9UA
- 50VH9UE
- 61VH9UE
- 61VH9UT
- 61VH9UM
- 57VH9UA
- 57VH9UE
- 46VH9UA
- 46VH9UE
- 57VH9UT
- 46VH9UT
- 57VH9UM
- 46VH9UM
- 43V9UE
- 43V9UM
- 43V9UT
- 50V9UE
- 50V9UM
- 50V9UT

- SOLDERING SUB-MATERIAL
- NB18
- NB14
- NB15
- NB17
- WIRE CLIP
- B801
- B813
- HATOME
- PH89
- PH90



43CSR6UR 43VR9UMQ
 43SH6UN 50VR9UMQ
 43VH9UA 61VH9UMQ
 POWER (10/20)

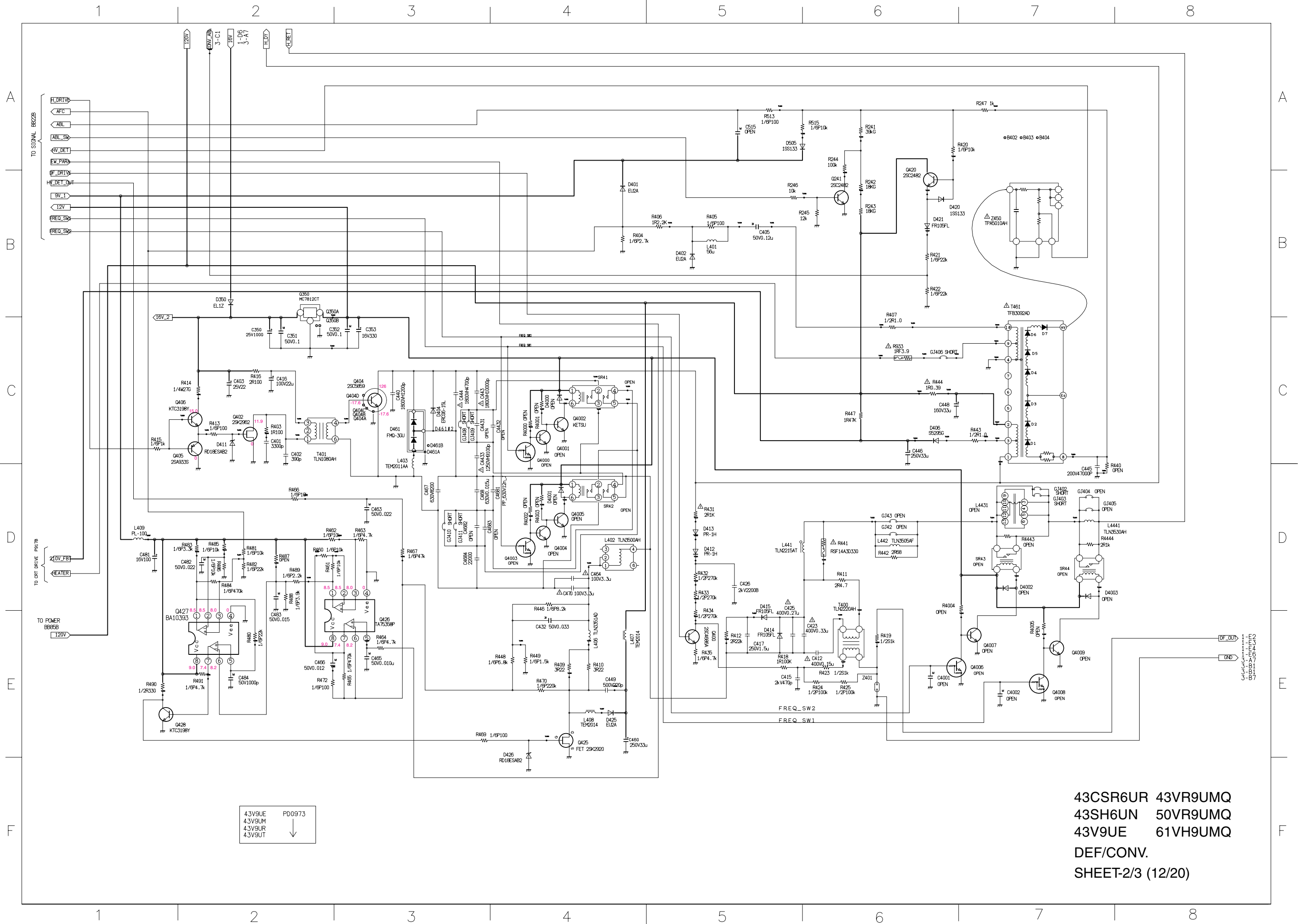
- +11V
- GND(+12V)
- NC
- +122V
- +120V
- +122V
- NC
- NC
- GND
- GND
- +32V
- X-RAY
- +16V
- +16V
- +16V
- PROTECT
- GND
- GND
- GND
- GND
- 16V
- 16V
- NC
- 32V
- NC
- SOCKET
- +5V-1
- RESET
- POWER
- GND
- GND
- +11V
- +11V
- GND
- +7V
- +7V
- ALDD GND
- ALDD GND
- ALDD Vcc
- ALDD Vcc
- SOCKET
- B818
- B819



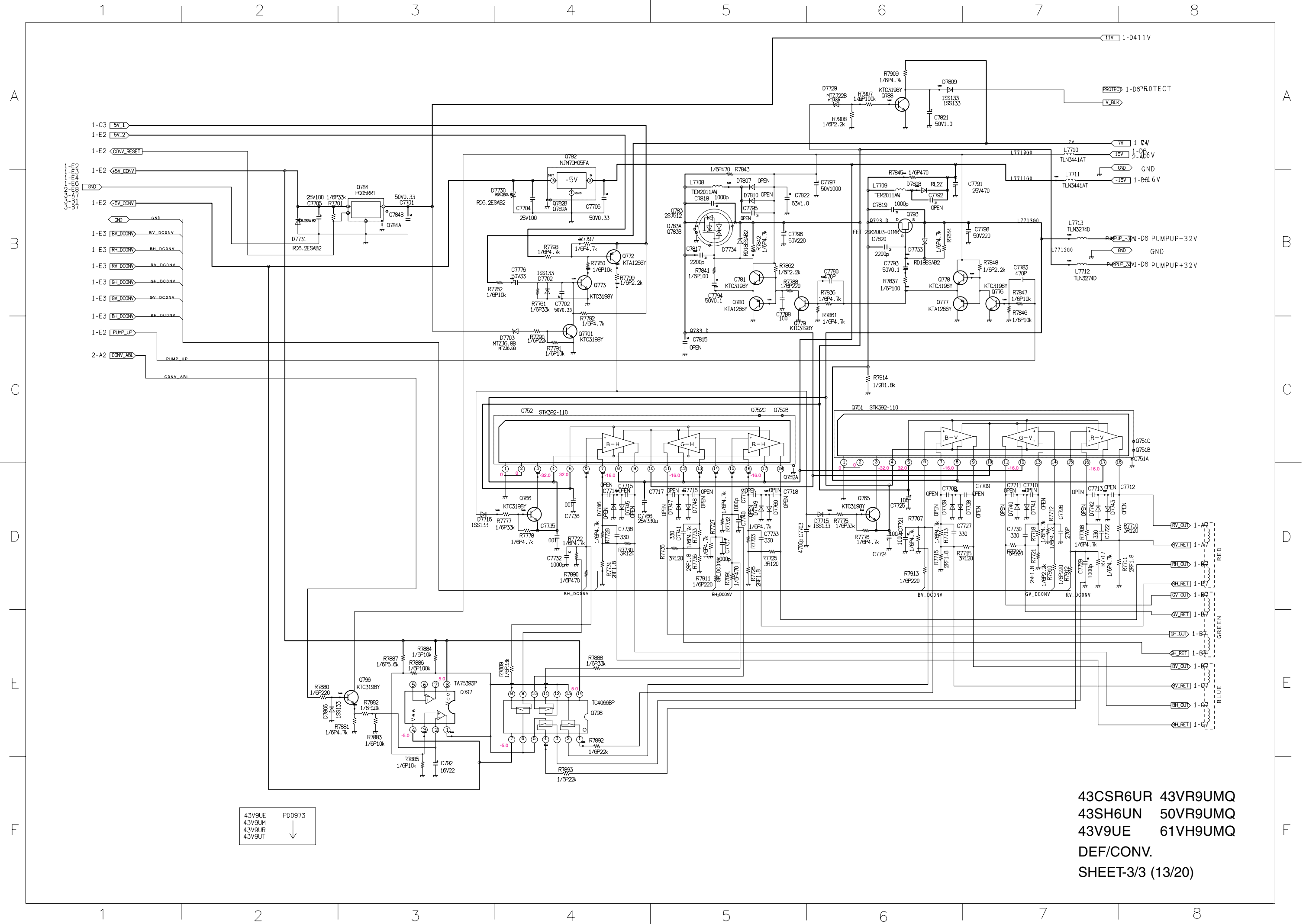
43V9UE PD0973
 43V9UM
 43V9UR
 43V9UT

SOLDERING SUB-MATERIAL
 ○N408
 ○N409
 ○N404
 ○N405
 ○N407
 ○M650

43CSR6UR 43VR9UMQ
 43SH6UN 50VR9UMQ
 43V9UE 61VH9UMQ
 DEF/CONV.
 SHEET-1/3 (11/20)



43CSR6UR 43VR9UMQ
 43SH6UN 50VR9UMQ
 43V9UE 61VH9UMQ
 DEF/CONV.
 SHEET-2/3 (12/20)



43V9UE PD0973
 43V9UM
 43V9UR
 43V9UT

43CSR6UR 43VR9UMQ
 43SH6UN 50VR9UMQ
 43V9UE 61VH9UMQ
 DEF/CONV.
 SHEET-3/3 (13/20)

A

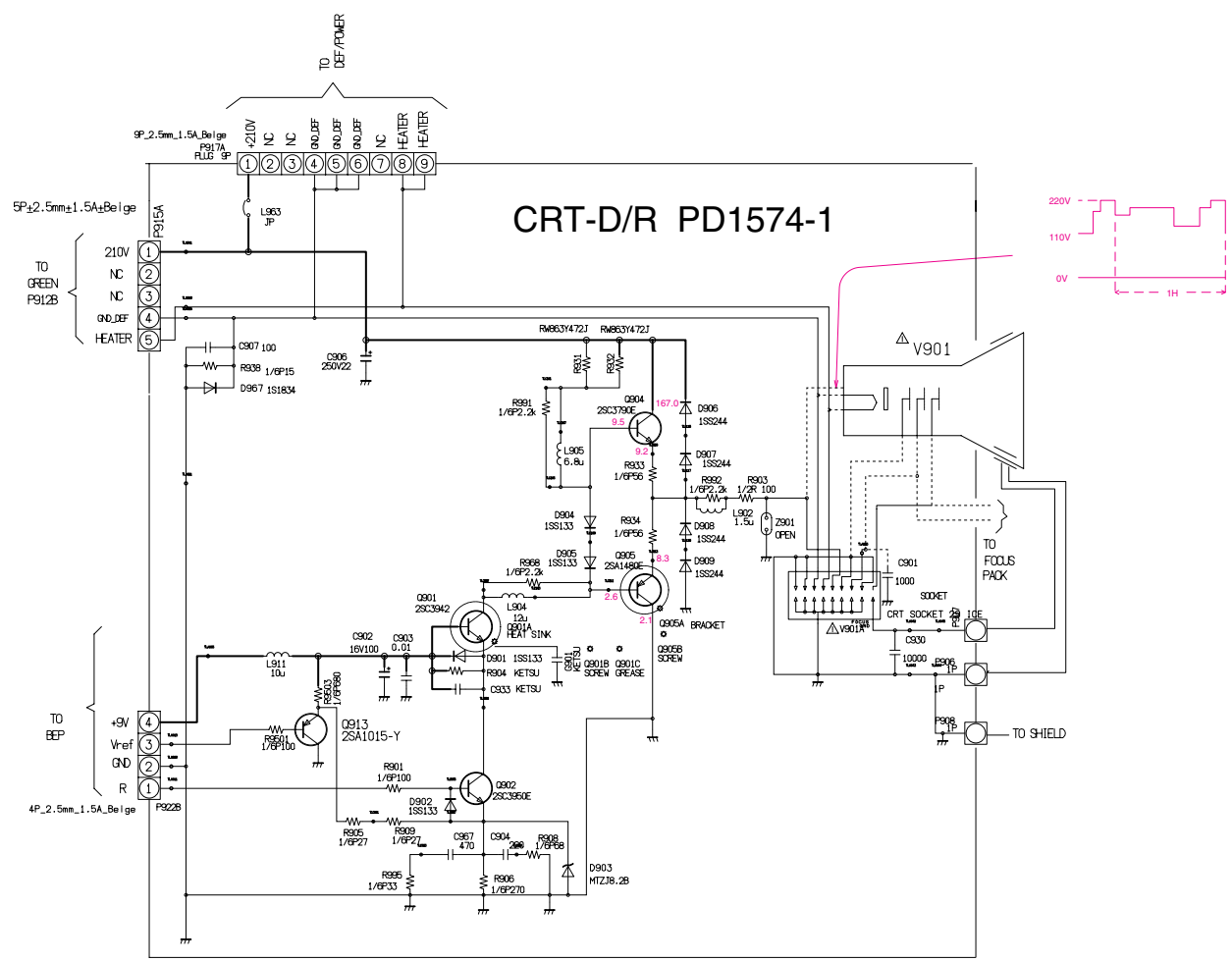
B

C

D

E

F



A

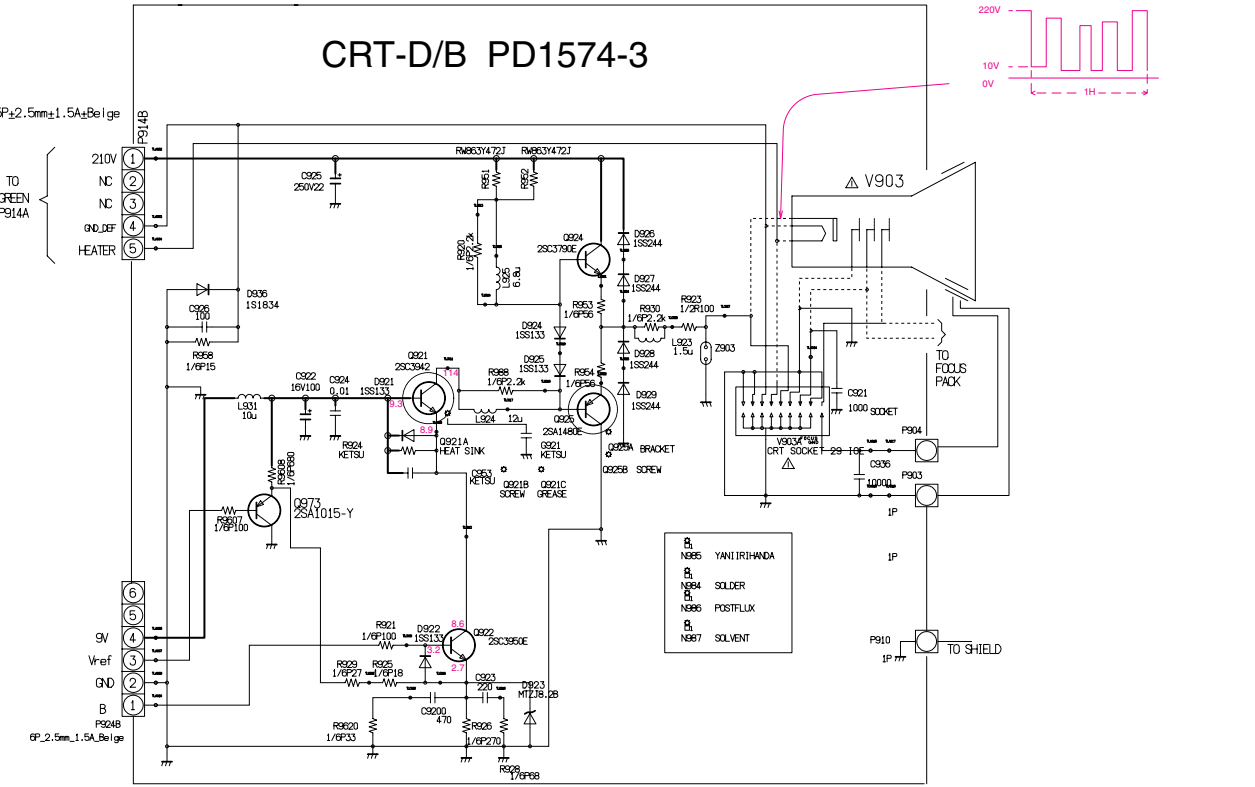
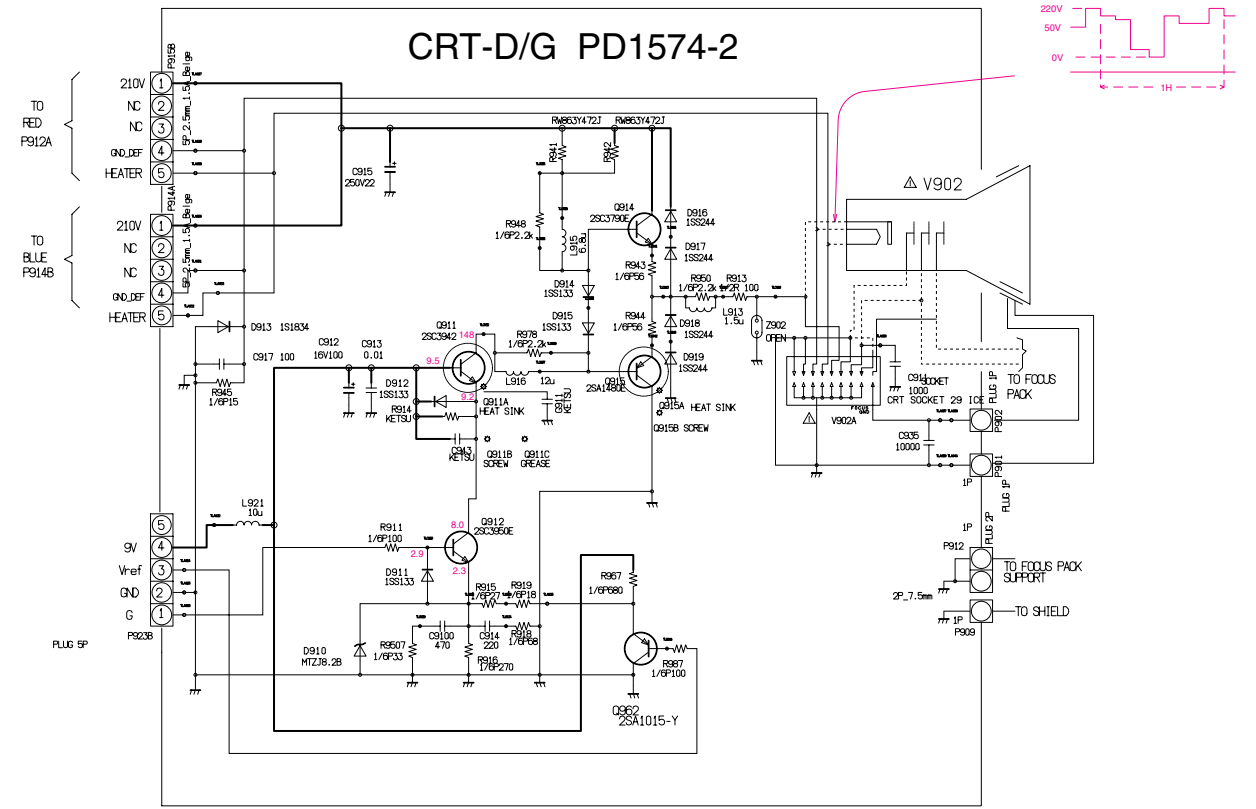
B

C

D

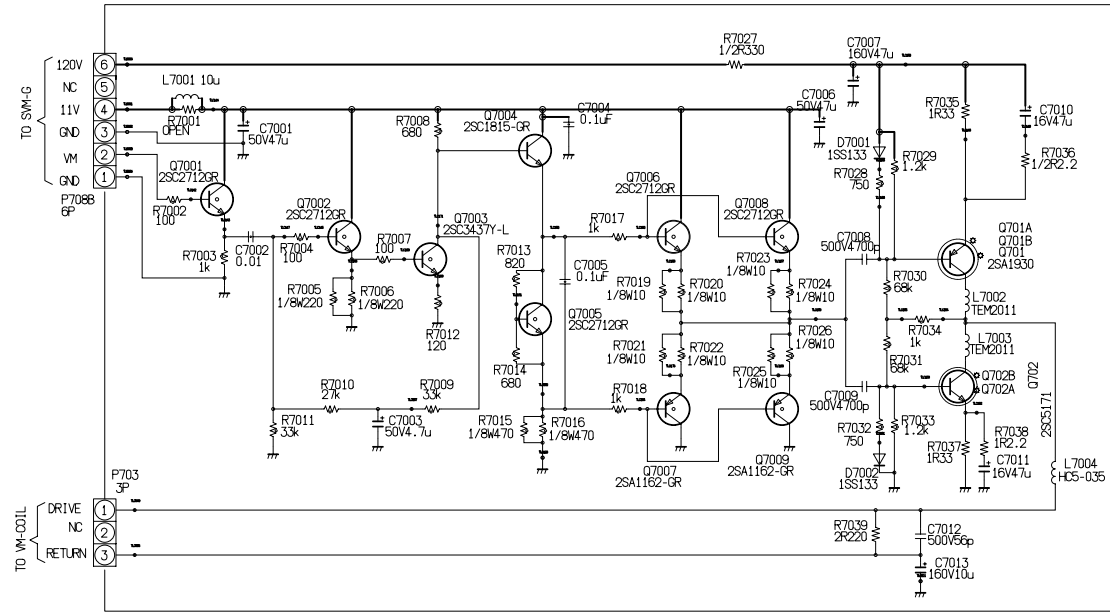
E

F

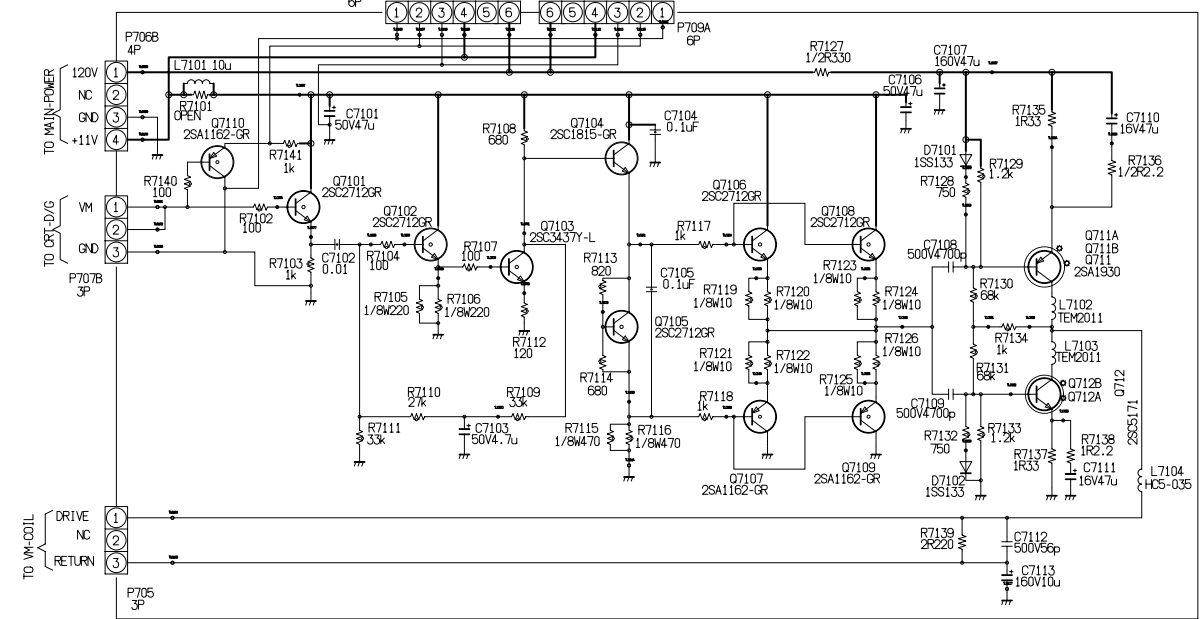


- 43CSR6UR
- 43SH6UN
- 43VR9UMQ
- 50VR9UMQ
- CRT-D (for HD)/SVM
- SHEET-1/2 (14/20)

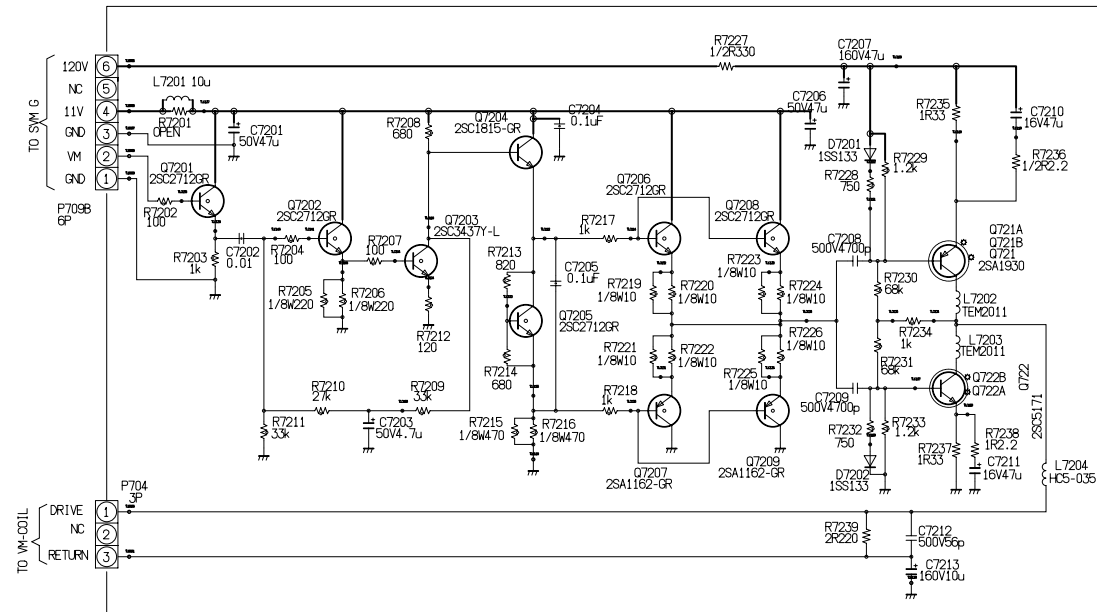
**U901E
SVM R
PD1574-5**



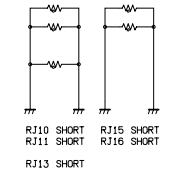
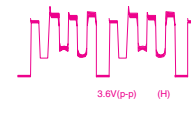
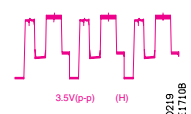
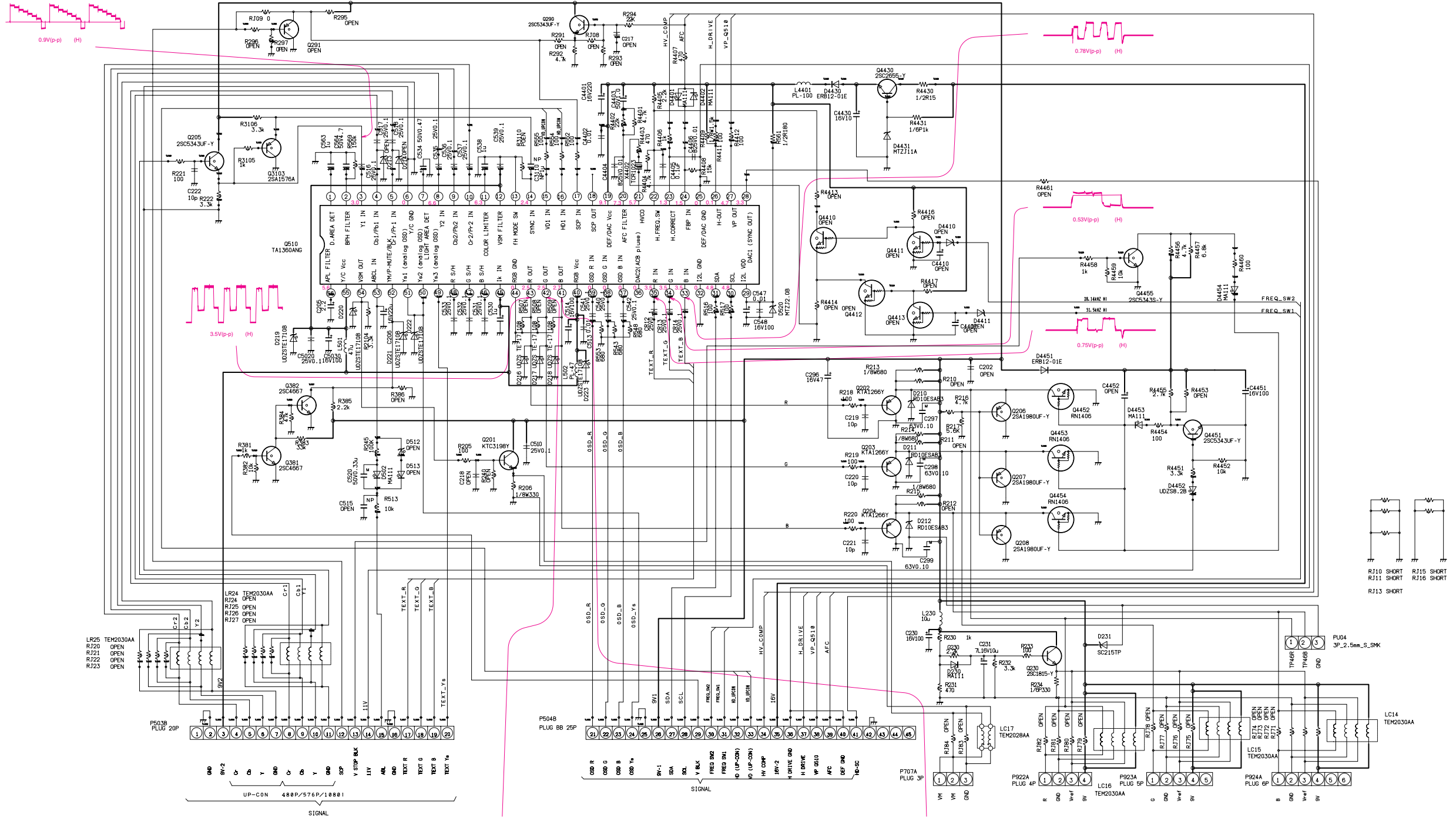
**U901D
SVM G
PD1574-4**



**U901F
SVM B
PD1574-6**



43CSR6UR
43SH6UN
43VR9UMQ
50VR9UMQ
CRT-D (for HD)/SVM
SHEET-2/2 (15/20)

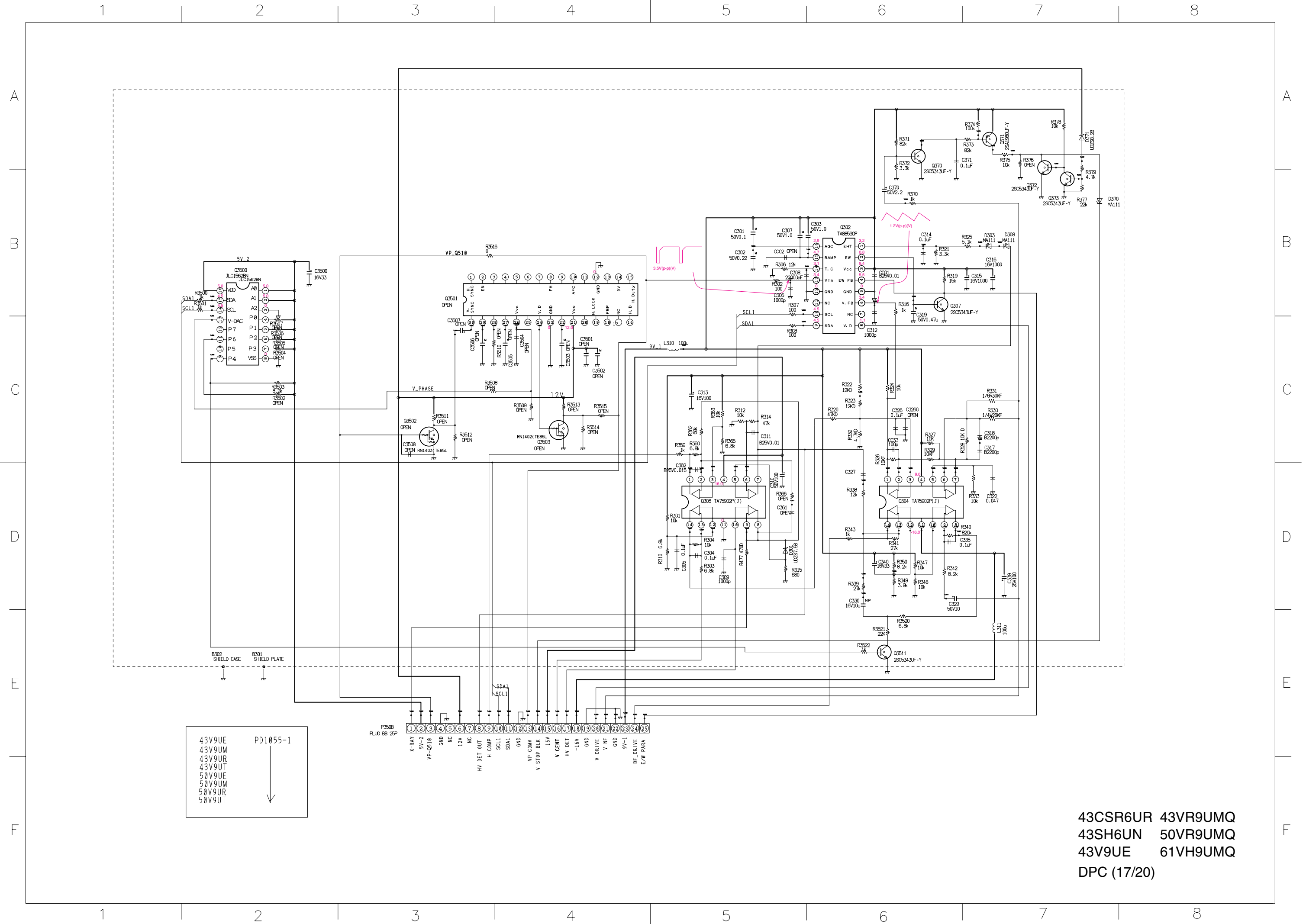


SOLDERING SUB-MATERIAL

- N508
- N509
- N504
- N505
- N507
- N511

43V9UE PD1055-2
43V9UM
43V9UR
43V9UT
50V9UE
50V9UM
50V9UR
50V9UT

43CSR6UR 43VR9UMQ
43SH6UN 50VR9UMQ
43V9UE 61VH9UMQ
BEP (for HD) (16/20)



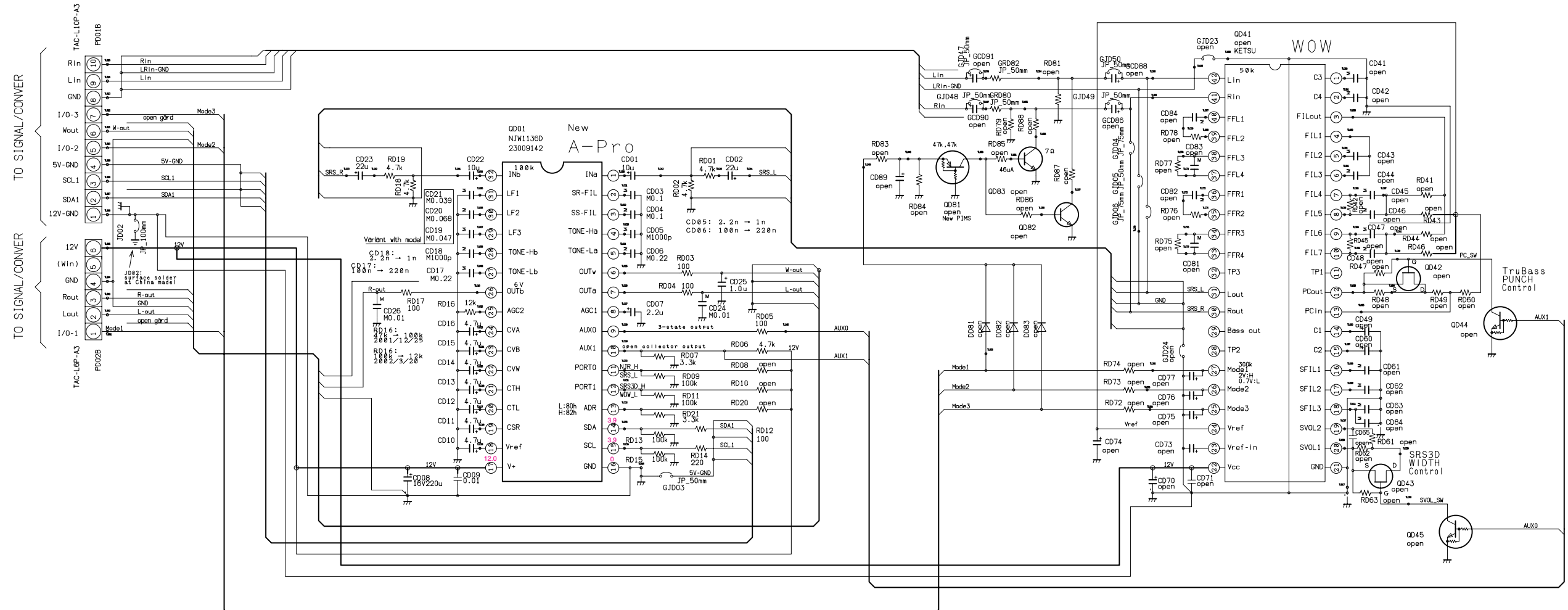
43V9UE	PD1055-1
43V9UM	
43V9UR	
43V9UT	
50V9UE	
50V9UM	
50V9UR	
50V9UT	

P3508	1	2	3	4	5	6	7	8	9	10	11	12	13	14	15	16	17	18	19	20	21	22	23	24	25
PLUG 88 25P	X-RAY	5V-2	VP-Q510	GND	12V	NC	NC	HV DET OUT	H COMP	SCL1	SDA1	GND	VP COMV	V STOP BLK	16V	V CENT	HV DET	-16V	GND	V DRIVE	V NF	GND	9V-1	DF-DRIVE	E/W PARA

- 43CSR6UR 43VR9UMQ
- 43SH6UN 50VR9UMQ
- 43V9UE 61VH9UMQ
- DPC (17/20)

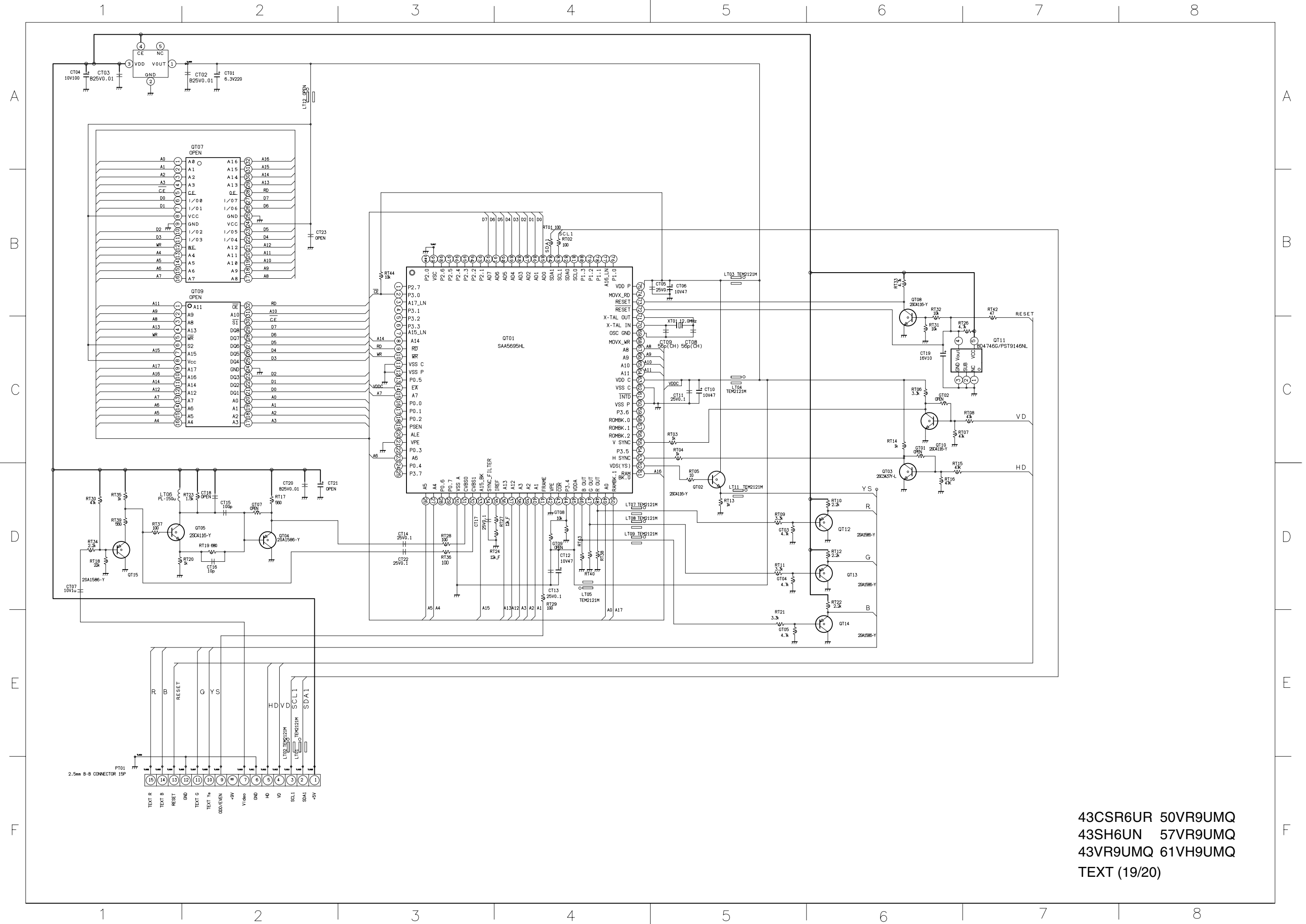
WOW	H	H	H
FOCUS	H	L	L
3D-STEREO	L	L	H
TruBass	L	H	L
BYPASS	L	L	L
	Mode1	Mode2	Mode3

Asia_PJ_TSP_W0W_4x3	PD1041	23788313	43VH9UA
US_LCoS_TVE_57HLX82_W0W	PD0859A	23787926A	57HLX82
Asia_PJ_DLTW_W0W_16x9	PD0797D	23787768	57VW9UC
US_PJ_TNP_W0W_16x9_SBS_12Φ	PD0645D	23787989	42HDX82
US_PJ_TNP_W0W_16x9_SBS_16Φ	PD0645B	23787523	50HDX82
US_DView_TNP_W0W_16x9_CYC	PD0645C	23787895	34HDX82
US_DView_TNP_W0W_4x3_CYC	PD0645A	23787466	36HFX72
Asia_PJ_TSP_W0W_16x9	PD0961	23788112	57VW9UA
Asia_PJ_DLTW_W0W_43	PD0797D	23787768	43VH9UC
Asia_DView_DLTW_W0W	PD0797A	23787830	29VH9UC
Asia_DView_TVE_W0W	PD0785A	23787818	29VH9UH
Asia_DView_DLTW_A-Pro	PD0797B	23787937	29VH8UC
	unit	SN	model



JP001 23183004 75mm CE_J0075_03	JP002 23183004 150mm CE_J0150_03	JP003 23183004 75mm CE_J0075_03	JP004 23183004 150mm CE_J0150_03	JP005 23183004 75mm CE_J0075_03
JP006 23183004 150mm CE_J0150_03	JP008 23183004 75mm CE_J0075_03	JP009 23183004 50mm CE_J0050_03	JP011 23183004 75mm CE_J0075_03	JP012 23183004 50mm CE_J0050_03
JP013 23183004 75mm CE_J0075_03	JP014 23183004 100mm CE_J0100_03	JP046 23183004 200mm CE_J0200_03		
ND02 23964030 SOLVENTIPA		ND03 23961113 UNTIOXIDE		
ND05 23961098 YANI IRIHANDA				

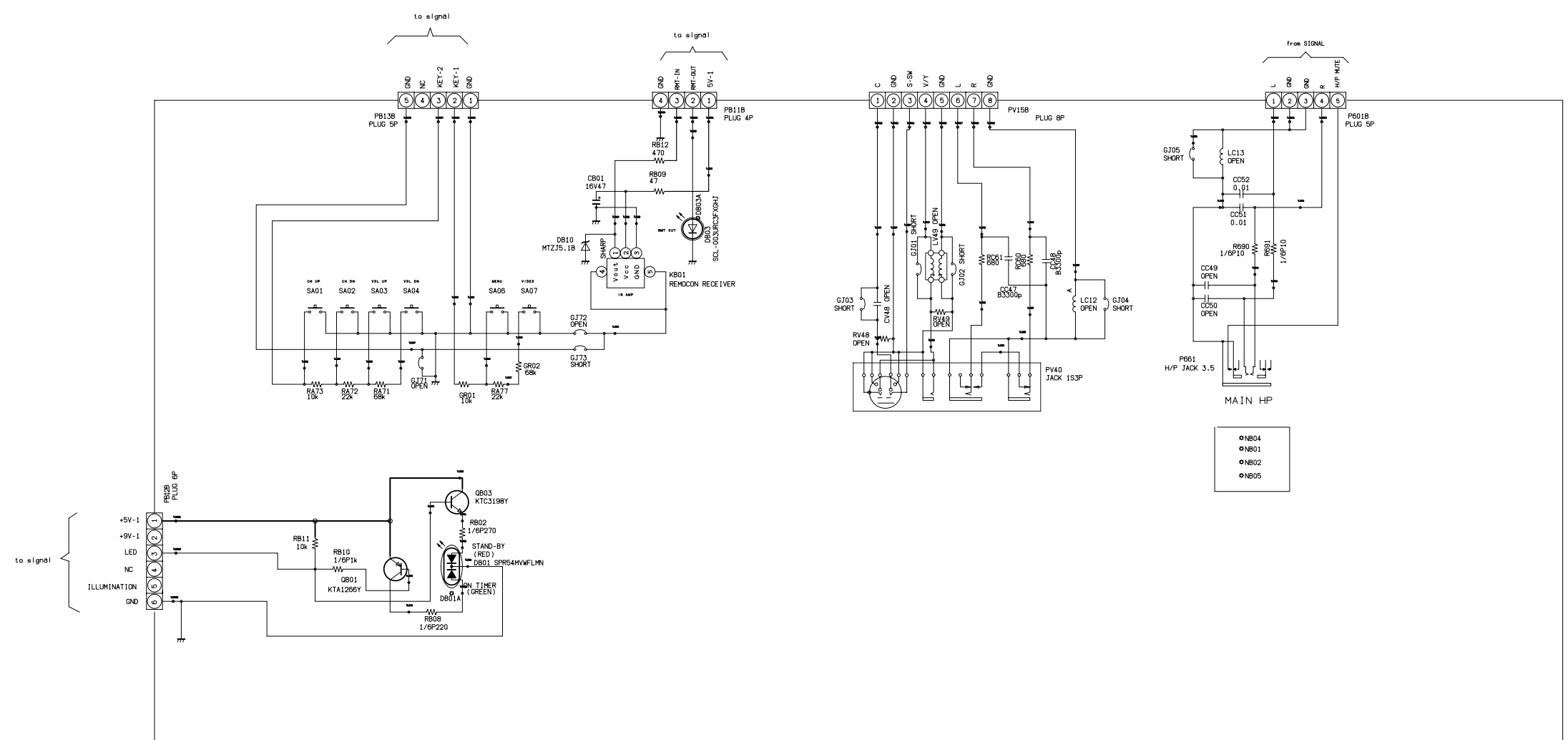
43CSR6UR 43VR9UMQ
 43SH6UN 50VR9UMQ
 43VH9UC 61VH9UMQ
 A-Pro. (18/20)



43CSR6UR 50VR9UMQ
 43SH6UN 57VR9UMQ
 43VR9UMQ 61VH9UMQ
 TEXT (19/20)

A
B
C
D
E
F

1 2 3 4 5 6 7 8



43CSR6UR 43S6DE
43S6C 43S6SN
43S6DA 43SK6C
FRONT (20/20)

1 2 3 4 5 6 7 8

A
B
C
D
E
F

TOSHIBA CORPORATION
1-1, SHIBAURA 1-CHOME, MINATO-KU, TOKYO 105-8001, JAPAN