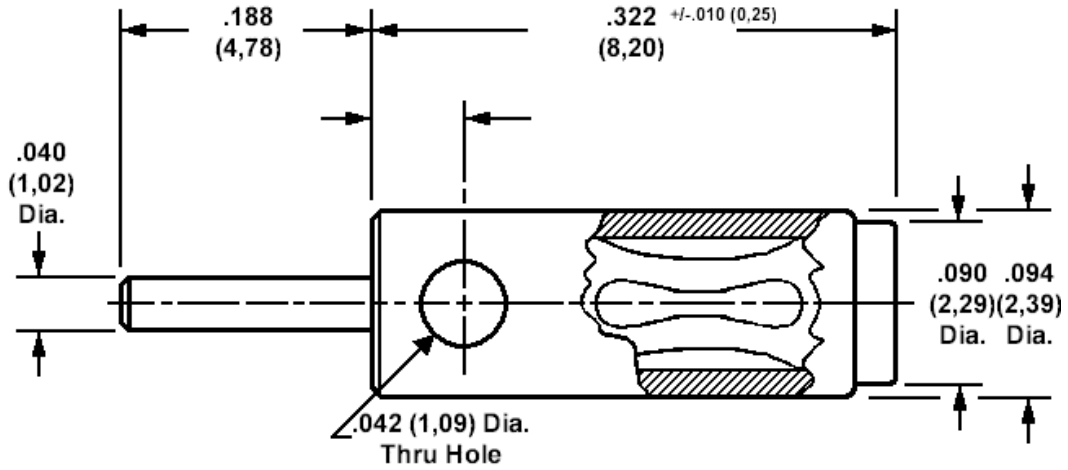


450-3302, Socket for patch lead ends, stackable, .040 (1,02) pin and socket



How to order code
450-3302-01-03-00

Component	Material	Finish(-03)
Body	Brass	Gold over Nickel
Spring	Beryllium copper	Gold over Nickel

Recommended hook up wire size is 22 AWG (7 strands of 30AWG) copper wire PTFE insulated, $.053$ (1,37) over insulation. (not supplied)