

DATA SHEET

GAS DISCHARGE TUBE – 4532 SERIES

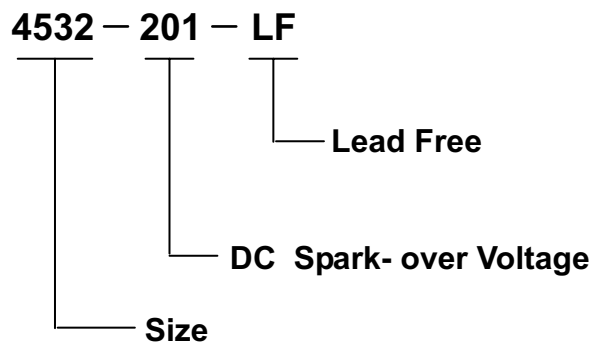
FEATURES

- ◇ High insulation resistance.
- ◇ Low capacitance ($\leq 0.5\text{pF}$).
- ◇ Accord with IEC61000-4-5 standard. Max Surge current capacity 2000A 8/20 μs .
- ◇ Accord with ITU-TK.21 standard 4KV 10/700 μs
- ◇ Surface Mounted Gas Arrester
- ◇ Micro-Gap Design
- ◇ Size 4532(1812)
- ◇ Storage and operational temperature: $-40^{\circ}\text{C} \sim +85^{\circ}\text{C}$
- ◇ Meets MSL level 1, per J -STD-020

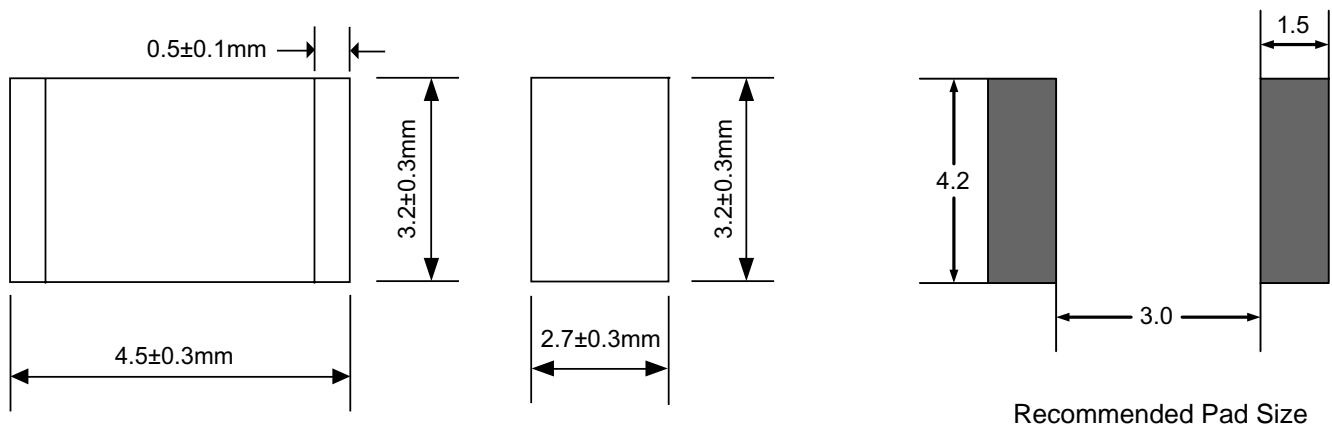
APPLICATION

- ◇ Repeaters, Modems.
- ◇ Telephone Interface, Line cards.
- ◇ Data communication equipment.
- ◇ Line test equipment.

PART NUMBER CODE



DIMENSIONS



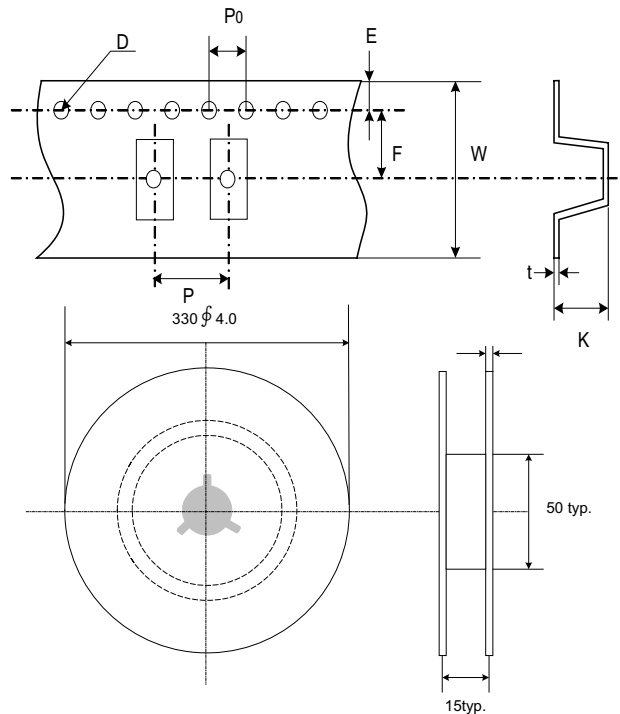
ELECTRICAL CHARACTERISTIC

Part Number	DC Spark-over Voltage	Impulse Life Test	Minimum Insulation Resistance		Maximum Capacitance (1MHz 1V) (pF)	Nominal Impulse Discharge Current 8/20μs (A)	Impulse Discharge Voltage 10/700μs 4kV ±5 Times	Device Marking Code	
	(V)		8/20μs 100A	Test Voltage					(GΩ)
			(Times)	DC(V)					
4532-091-LF	90±30%	300	50	1	0.5	2000	090		
4532-121-LF	120±30%	300	50	1	0.5	2000	120		
4532-151-LF	150±30%	300	50	1	0.5	2000	150		
4532-201-LF	200±30%	300	100	1	0.5	2000	200		
4532-231-LF	230±30%	300	100	1	0.5	2000	230		
4532-301-LF	300±30%	300	100	1	0.5	2000	300		
4532-351-LF	350±30%	300	100	1	0.5	2000	350		
4532-401-LF	400±30%	300	100	1	0.5	2000	400		
4532-421-LF	420±30%	300	100	1	0.5	2000	420		
4532-471-LF	470±30%	300	100	1	0.5	2000	470		
4532-501-LF	500±30%	300	100	1	0.5	2000	500		
4532-601-LF	600±30%	300	100	1	0.5	2000	600		

• **Chip GDT Taping**

unit :mm

Item	Spec.
P	8.0±0.1
P0	4.0±0.1
W	12.0±0.3
F	5.45±0.1
E	1.75±0.1
D	Φ1.55±0.05
K	3.5±0.2
t	0.3±0.1



Quantity: 2500 pcs per reel (13")