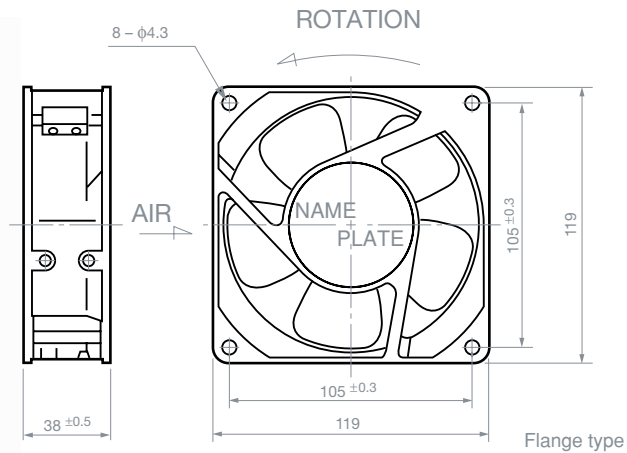


4715MS SERIES AC AXIAL FAN



Specification Data:

- **Dimensions/Type:** 119mm □ x 38mm Axial Fan
- **Motor Protection:** B10 ~ B30 Impedance
B4A ~ B5A Thermal
- **Motor Type:** Shaded Pole Induction Motor
- **Temperature Range:**
B10~B4A -40°C ~ +70°C (Operating)
B5A -40°C ~ +60°C (Operating)
All Classes -40°C ~ +70°C (Storage)
- **Material:** Casing: Aluminium (Painted)
Impeller: Polycarbonate (Glass Filled)
- **Terminal:** Faston 110 equivalent
- **Lead Wire:** UL3266, CSA CL1252, AWG22
- **Weight:** 550g
- **Rotation Direction:** Counterclockwise
- **Airflow Direction:** Out Over Support Struts

Model	Product No.	Rated Voltage (V)	Frequency (Hz)	Starting Voltage (V)	Current (A)	Input Power (W)	Speed (RPM)	Max. Airflow (m³/min)	Max. Static Pressure (Pa)	Noise (dBA)
4715MS-12T-B10-	X00	115	50	75	0.090	6.0	1350	1.30	15.6	27.0
		115	60	75	0.080	5.5	1450	1.40	16.6	28.0
4715MS-12T-B20-	X00	115	50	75	0.100	7.0	2100	2.00	35.2	32.0
		115	60	75	0.100	7.0	1950	1.90	24.5	30.0
4715MS-12T-B30-	X00	115	50	75	0.160	11.0	2400	2.30	49.9	34.0
		115	60	75	0.140	10.0	2600	2.50	49.9	37.0
4715MS-12T-B4A-	X00	115	50	75	0.220	15.0	2450	2.40	50.9	35.0
		115	60	75	0.190	13.0	2750	2.70	64.6	39.0
4715MS-12T-B5A-	X00	115	50	65	0.250	15.5	2600	2.50	64.6	37.0
		115	60	65	0.210	14.5	2900	2.90	76.4	41.0
4715MS-23T-B10-	X00	230	50	175	0.050	6.5	1350	1.30	14.7	27.0
		230	60	175	0.045	6.0	1450	1.40	14.7	28.0
4715MS-23T-B20-	X00	230	50	175	0.060	7.5	2100	2.00	35.2	32.0
		230	60	175	0.060	7.5	1900	1.90	21.5	30.0
4715MS-23T-B30-	X00	230	50	175	0.100	12.0	2400	2.30	49.0	34.0
		230	60	175	0.080	11.0	2600	2.50	51.9	37.0
4715MS-23T-B4A-	X00	230	50	175	0.120	15.0	2450	2.40	53.9	35.0
		230	60	175	0.100	13.0	2750	2.70	63.7	39.0
4715MS-23T-B5A-	X00	230	50	175	0.120	15.0	2600	2.50	63.7	37.0
		230	60	175	0.100	14.0	2900	2.90	70.5	41.0

