

REVERSE VOLTAGE - 50 to 1000Volts  
 FORWARD CURRENT - 4.0 Amperes

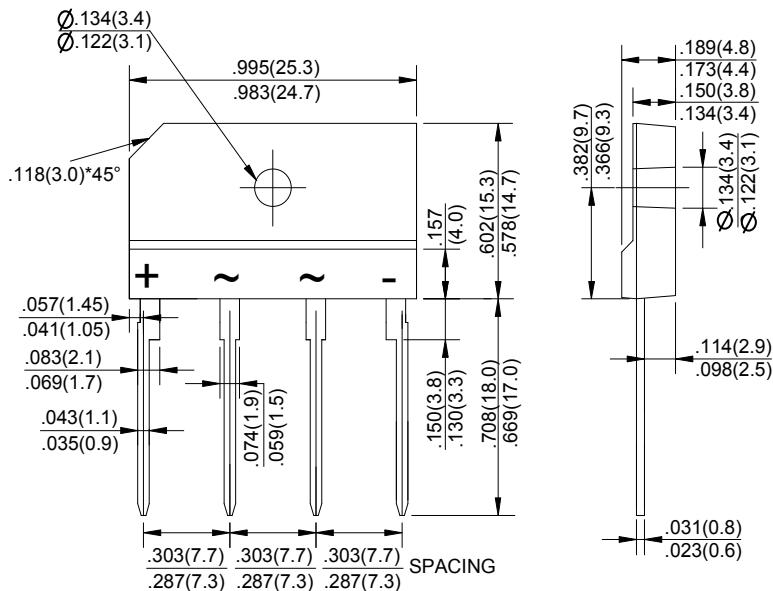
# 4GBJ4005 thru 4GBJ410

## GLASS PASSIVATED BRIDGE RECTIFIERS

### 4GBJ

#### FEATURES

- Surge overload rating -135 amperes peak
- Ideal for printed circuit board
- Reliable low cost construction utilizing molded plastic technique
- The plastic material has UL flammability classification 94V-0
- Mounting position:Any



Dimensions in inches and (millimeters)

### MAXIMUM RATINGS AND ELECTRICAL CHARACTERISTICS

Rating at 25°C ambient temperature unless otherwise specified.

Single phase, half wave ,60Hz, resistive or inductive load.

For capacitive load, derate current by 20%

CHARACTERISTICS	SYMBOL	4GBJ 4005	4GBJ 401	4GBJ 402	4GBJ 404	4GBJ 406	4GBJ 408	4GBJ 410	UNIT	
Maximum Recurrent Peak Reverse Voltage	$V_{RRM}$	50	100	200	400	600	800	1000	V	
Maximum RMS Voltage	$V_{RMS}$	35	70	140	280	420	560	700	V	
Maximum DC Blocking Voltage	$V_{DC}$	50	100	200	400	600	800	1000	V	
Maximum Average Forward (with heatsink Note 2) Rectified Current @ $T_c=100^\circ C$ (without heatsink)	$I_{(AV)}$					4.0				A
Peak Forward Surge Current 8.3ms Single Half Sine-Wave Super Imposed on Rated Load (JEDEC Method)	$I_{FSM}$					135				A
Maximum Forward Voltage at 2.0A DC	$V_F$					1.0				V
Maximum Forward Voltage at 4.0A DC	$V_F$					1.1				V
Maximum DC Reverse Current @ $T_J=25^\circ C$ at Rated DC Blocking Voltage @ $T_J=125^\circ C$	$I_R$					10.0				$\mu A$
$I^2t$ Rating for Fusing ( $t < 8.3ms$ )	$I^2t$					75.63				$A^2s$
Typical Junction Capacitance Per Element (Note1)	$C_J$					45				pF
Typical Thermal Resistance	$R_{\theta JC}$					2.2				$^\circ C/W$
Operating Temperature Range	$T_J$					-55 to +150				$^\circ C$
Storage Temperature Range	$T_{STG}$					-55 to +150				$^\circ C$

NOTES: 1.Measured at 1.0MHz and applied reverse voltage of 4.0V DC.

2.Device mounted on 50mm\*50mm\*1.6mm Cu plate heatsink.

3.The typical data above is for reference only

## RATING AND CHARACTERISTIC CURVES 4GBJ4005 thru 4GBJ410

FIG.1-FORWARD CURRENT DERATING CURVE

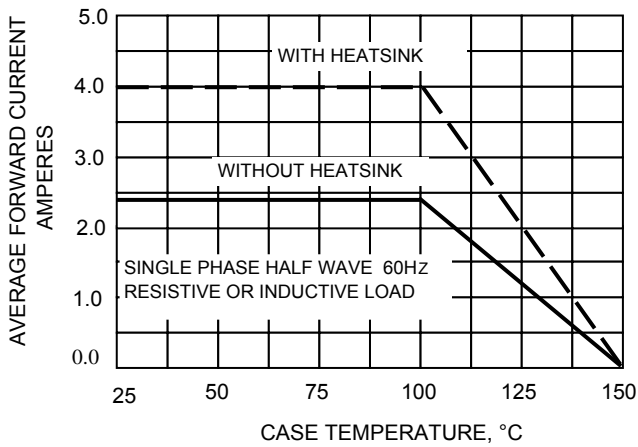


FIG.2-MAXIMUM NON-REPETITIVE SURGE CURRENT

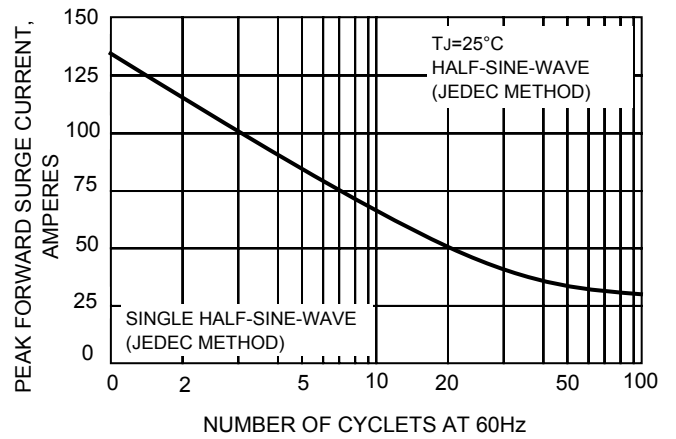


FIG.3-TYPICAL FORWARD CHARACTERISTICS

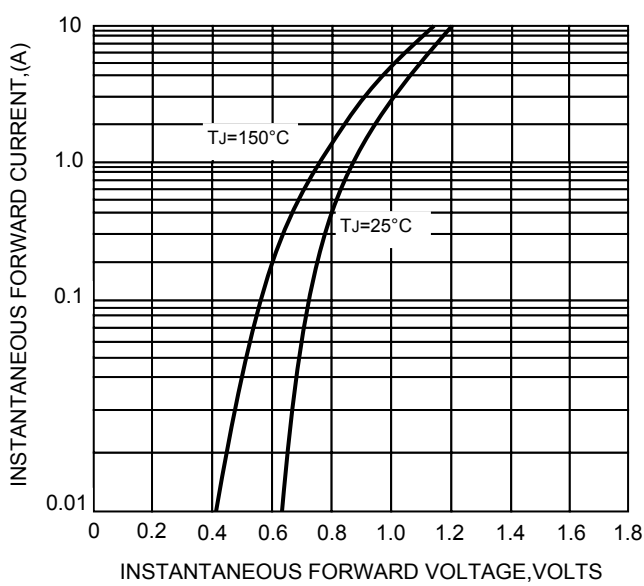


FIG.4-TYPICAL REVERSE CHARACTERISTICS

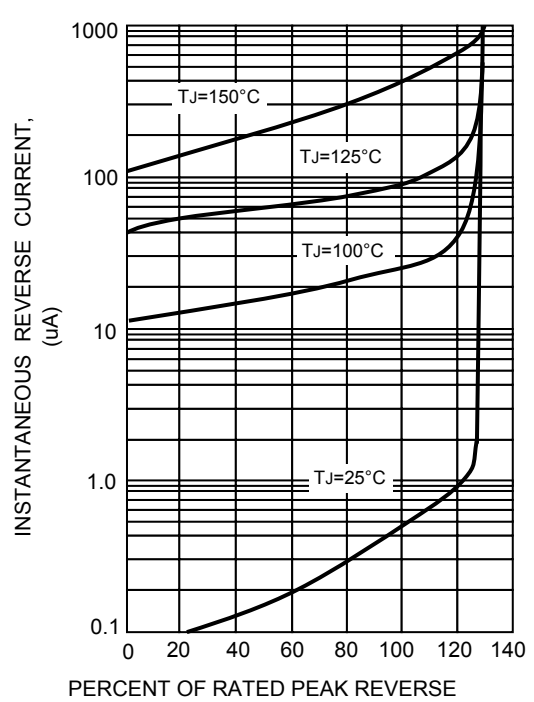


FIG.5-TYPICAL JUNCTION CAPACITANCE

