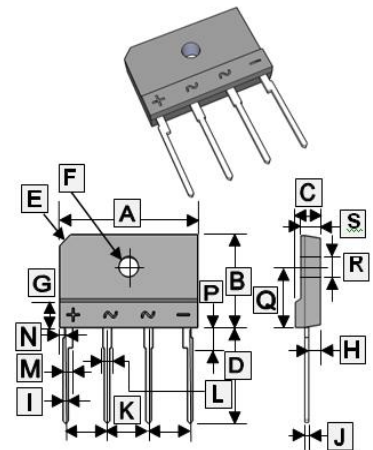


RoHS Compliant Product
A suffix of "-C" specifies halogen & lead-free

FEATURES

- Rating to 1000V PRV
- Ideal for printed circuit board
- Low forward voltage drop, high current capability
- Reliable low cost construction utilizing molded plastic technique results in inexpensive product
- The plastic material has Underwriters Laboratory flammability classification 94V-0

4GBJ



REF.	Millimeter		REF.	Millimeter	
	Min.	Max.		Min.	Max.
A	24.7	25.3	J	0.6	0.8
B	14.7	15.3	K	7.3	7.7
C	4.4	4.8	L	1.5	1.9
D	17.0	18.0	M	1.7	2.1
E	3.0 x 45°		N	1.05	1.45
F	3.1	3.4	P	3.3	3.8
G	4.0		Q	9.3	9.7
H	2.5	2.9	R	3.1	3.4
I	0.9	1.1	S	3.4	3.8

MAXIMUM RATINGS AND ELECTRICAL CHARACTERISTICS

(Rating 25°C ambient temperature unless otherwise specified. Single phase half wave, 60Hz, resistive or inductive load.
For capacitive load, de-rate current by 20%.)

Parameter	Symbol	Part Number							Unit
		4GBJ 6005	4GBJ 601	4GBJ 602	4GBJ 604	4GBJ 606	4GBJ 608	4GBJ 610	
Maximum Recurrent Peak Reverse Voltage	V_{RRM}	50	100	200	400	600	800	1000	V
Maximum RMS Bridge Input Voltage	V_{RMS}	35	70	140	280	420	560	700	V
Maximum DC Blocking Voltage	V_{DC}	50	100	200	400	600	800	1000	V
Maximum Average Forward (with heat sink) ²	$I_{(AV)}$	6							A
Rectified Current @ $T_C=100^\circ\text{C}$ (without heat sink)		2.8							
Peak Forward Surge Current 8.3 ms Single Half Sine-Wave Super Imposed on Rated Load (JEDEC Method)	I_{FSM}	150							A
Maximum Forward Voltage @ 3A DC	V_F	1.1							V
Maximum DC Reverse Current at Rated DC Blocking Voltage	$T_J=25^\circ\text{C}$	10							μA
	$T_J=125^\circ\text{C}$	500							
I^2t Rating for Fusing ($t<8.3\text{ms}$)	I^2t	120							A^2s
Typical Junction Capacitance Per Element ¹	C_J	55							pF
Typical Thermal Resistance	$R_{\theta JC}$	1.8							$^\circ\text{C}/\text{W}$
Operating and Storage temperature range	T_J, T_{STG}	-55~150							$^\circ\text{C}$

Notes :

1. Measured at 1.0MHz and applied reverse voltage of 4.0V DC.
2. Device mounted on 75mm*75mm*1.6mm Cu plate heat sink.

RATINGS AND CHARACTERISTIC CURVES

FIG.1-FORWARD CURRENT DERATING CURVE

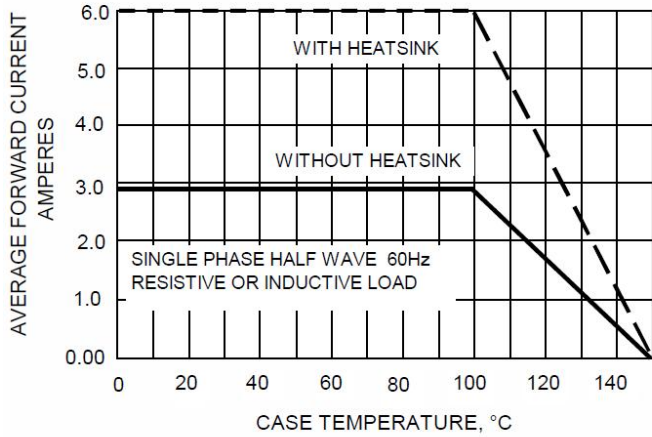


FIG.2-MAXIMUM NON-REPETITIVE SURGE CURRENT

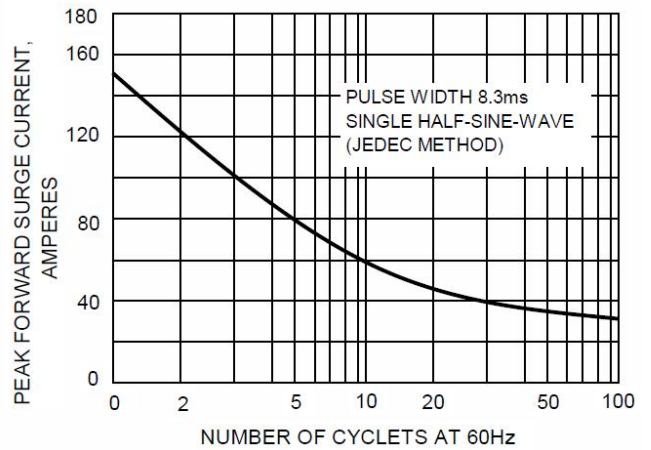


FIG.3-TYPICAL JUNCTION CAPACITANCE

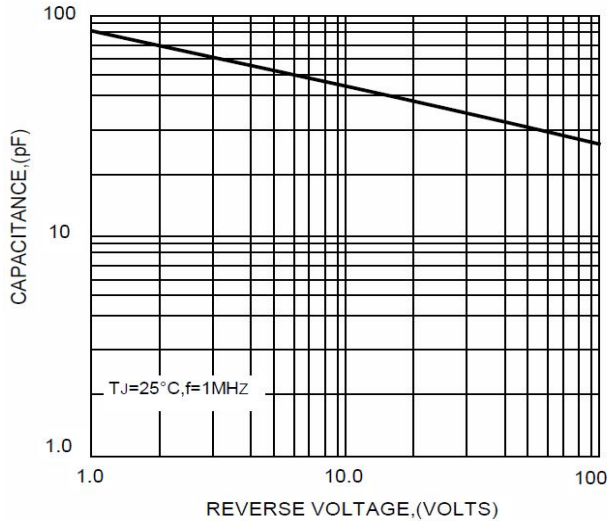


FIG.4-TYPICAL FORWARD CHARACTERISTICS

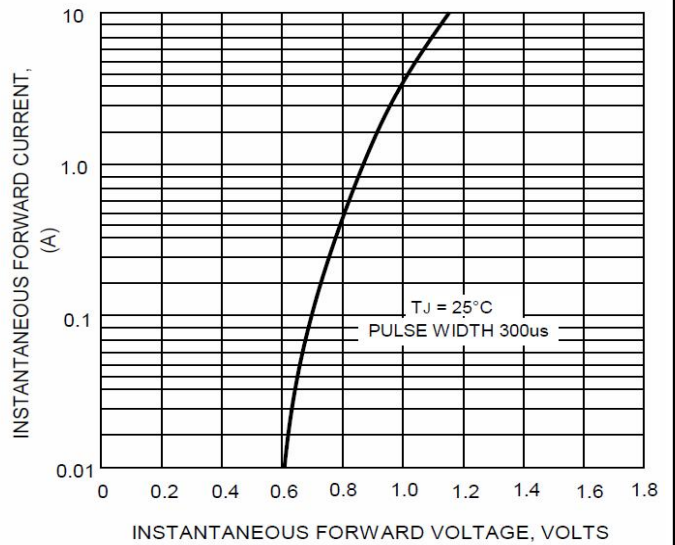


FIG.5-TYPICAL REVERSE CHARACTERISTICS

