



# 4N60-Q

Power MOSFET

## 4A, 600V N-CHANNEL POWER MOSFET

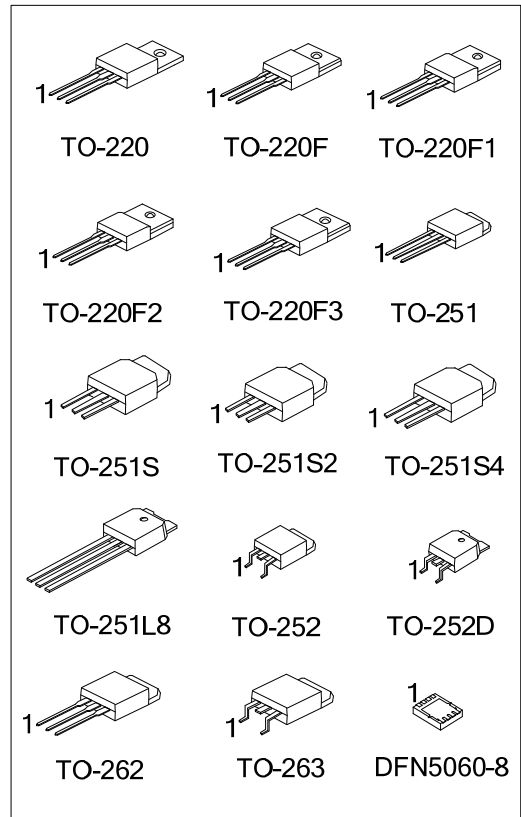
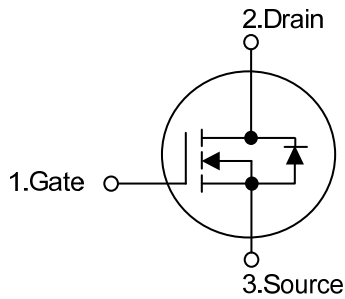
### DESCRIPTION

The UTC **4N60-Q** is a high voltage power MOSFET and is designed to have better characteristics, such as fast switching time, low gate charge, low on-state resistance and have a high rugged avalanche characteristics. This power MOSFET is usually used at high speed switching applications in power supplies, PWM motor controls, high efficient DC to DC converters and bridge circuits.

### FEATURES

- \*  $R_{DS(ON)} < 2.5\Omega @ V_{GS} = 10V, I_D = 2.2A$
- \* Fast Switching Capability
- \* Avalanche Energy Specified
- \* Improved dv/dt Capability, high RuggednessA

### SYMBOL



## ORDERING INFORMATION

Ordering Number		Package	Pin Assignment								Packing
Lead Free	Halogen Free		1	2	3	4	5	6	7	8	
4N60L-TA3-T	4N60G-TA3-T	TO-220	G	D	S	-	-	-	-	-	Tube
4N60L-TF1-T	4N60G-TF1-T	TO-220F1	G	D	S	-	-	-	-	-	Tube
4N60L-TF2-T	4N60G-TF2-T	TO-220F2	G	D	S	-	-	-	-	-	Tube
4N60L-TF3-T	4N60G-TF3-T	TO-220F	G	D	S	-	-	-	-	-	Tube
4N60L-TF3T-T	4N60G-TF3T-T	TO-220F3	G	D	S	-	-	-	-	-	Tube
4N60L-TM3-T	4N60G-TM3-T	TO-251	G	D	S	-	-	-	-	-	Tube
4N60L-TMA8-T	4N60G-TMA8-T	TO-251L8	G	D	S	-	-	-	-	-	Tube
4N60L-TMS-T	4N60G-TMS-T	TO-251S	G	D	S	-	-	-	-	-	Tube
4N60L-TMS2-T	4N60G-TMS2-T	TO-251S2	G	D	S	-	-	-	-	-	Tube
4N60L-TMS4-T	4N60G-TMS4-T	TO-251S4	G	D	S	-	-	-	-	-	Tube
4N60L-TN3-R	4N60G-TN3-R	TO-252	G	D	S	-	-	-	-	-	Tape Reel
4N60L-TND-R	4N60G-TND-R	TO-252D	G	D	S	-	-	-	-	-	Tape Reel
4N60L-T2Q-T	4N60G-T2Q-T	TO-262	G	D	S	-	-	-	-	-	Tube
4N60L-TQ2-R	4N60G-TQ2-R	TO-263	G	D	S	-	-	-	-	-	Tape Reel
4N60L-TQ2-T	4N60G-TQ2-T	TO-263	G	D	S	-	-	-	-	-	Tube
4N60G-K08-5060-R	4N60G-K08-5060-R	DFN5060-8	S	S	S	G	D	D	D	D	Tape Reel

Note: Pin Assignment: G: Gate D: Drain S: Source

<p>4N60G-TA3-T</p> <ul style="list-style-type: none"> <li>(1) Packing Type</li> <li>(2) Package Type</li> <li>(3) Green Package</li> </ul>	<p>(1) T: Tube, R: Tape Reel                  (2) TA3: TO-220, TF1: TO-220F1, TF2: TO-220F2, TF3: TO-220F, TF3T: TO-220F3, TM3: TO-251, TMS: TO-251S, TN3: TO-252, TND: TO-252D, TMS2: TO-251S2, TMS4: TO-251S4, T2Q: TO-262, TQ2: TO-263, K08-3030: DFN5060-8                  (3) G: Halogen Free and Lead Free, L: Lead Free</p>
--	---

## MARKING

PACKAGE	MARKING														
<table border="1"> <tr><td>TO-220</td><td>TO-251S</td></tr> <tr><td>TO-220F</td><td>TO-251S2</td></tr> <tr><td>TO-220F1</td><td>TO-251S4</td></tr> <tr><td>TO-220F2</td><td>TO-252</td></tr> <tr><td>TO-220F3</td><td>TO-252D</td></tr> <tr><td>TO-251</td><td>TO-262</td></tr> <tr><td>TO-251L8</td><td>TO-263</td></tr> </table>	TO-220	TO-251S	TO-220F	TO-251S2	TO-220F1	TO-251S4	TO-220F2	TO-252	TO-220F3	TO-252D	TO-251	TO-262	TO-251L8	TO-263	<p>UTC 4N60</p> <p>Lot Code ← [ ] → Date Code</p> <p>L: Lead Free G: Halogen Free</p> <p>1</p>
TO-220	TO-251S														
TO-220F	TO-251S2														
TO-220F1	TO-251S4														
TO-220F2	TO-252														
TO-220F3	TO-252D														
TO-251	TO-262														
TO-251L8	TO-263														
DFN5060-8	<p>UTC 4N60</p> <p>Lot Code ← [ ] → Date Code</p>														

■ ABSOLUTE MAXIMUM RATINGS ( $T_C = 25^\circ\text{C}$ , unless otherwise specified)

PARAMETER		SYMBOL	RATINGS	UNIT
Drain-Source Voltage		$V_{DSS}$	600	V
Gate-Source Voltage		$V_{GSS}$	$\pm 30$	V
Avalanche Current (Note 2)		$I_{AR}$	4.4	A
Drain Current	Continuous	$I_D$	4.0	A
	Pulsed (Note 2)	$I_{DM}$	16	A
Avalanche Energy	Single Pulsed (Note 3)	$E_{AS}$	60	mJ
	Repetitive (Note 2)	$E_{AR}$	10.6	mJ
Peak Diode Recovery dv/dt (Note 4)		dv/dt	4.5	V/ns
Power Dissipation	TO-220/TO-262/TO-263	$P_D$	106	W
	TO-220F/TO-220F1		36	
	TO-220F3		38	
	TO-220F2		50	
	TO-251/ TO-251L8 TO-251S/TO-251S2 TO-251S4 TO-252/TO-252D		50	
	DFN5060-8		30	
Junction Temperature		$T_J$	+150	$^\circ\text{C}$
Operating Temperature		$T_{OPR}$	-55 ~ +150	$^\circ\text{C}$
Storage Temperature		$T_{STG}$	-55 ~ +150	$^\circ\text{C}$

Notes: 1. Absolute maximum ratings are those values beyond which the device could be permanently damaged.

Absolute maximum ratings are stress ratings only and functional device operation is not implied.

2. Repetitive Rating : Pulse width limited by maximum junction temperature

3.  $L = 30\text{mH}$ ,  $I_{AS} = 2\text{A}$ ,  $V_{DD} = 50\text{V}$ ,  $R_G = 25\ \Omega$ , Starting  $T_J = 25^\circ\text{C}$

4.  $I_{SD} \leq 4.4\text{A}$ ,  $di/dt \leq 200\text{A}/\mu\text{s}$ ,  $V_{DD} \leq BV_{DSS}$ , Starting  $T_J = 25^\circ\text{C}$

■ THERMAL DATA

PARAMETER	PACKAGE	SYMBOL	RATINGS	UNIT
Junction to Ambient	TO-220/TO-262/TO-263 TO-220F/TO-220F1 TO-220F2/TO-220F3	$\theta_{JA}$	62.5	$^\circ\text{C}/\text{W}$
	TO-251/ TO-251L8 TO-251S/TO-251S2 TO-251S4 TO-252/TO-252D		110	
	DFN5060-8		75	
Junction to Case	TO-220/TO-262/TO-263	$\theta_{JC}$	1.18	$^\circ\text{C}/\text{W}$
	TO-220F/TO-220F1		3.47	
	TO-220F3		3.28	
	TO-220F2		2.5	
	TO-251/ TO-251L8 TO-251S/TO-251S2 TO-251S4 TO-252/TO-252D		2.5	
	DFN5060-8		4.17	

■ ELECTRICAL CHARACTERISTICS (T<sub>C</sub>=25°C, unless otherwise specified)

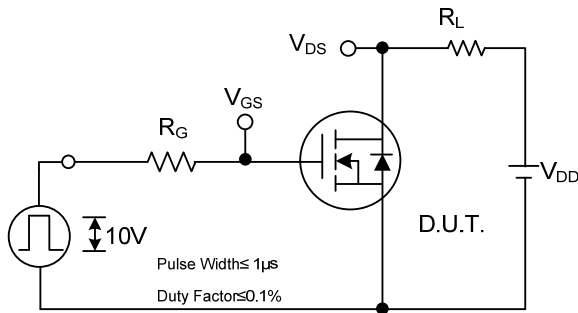
PARAMETER	SYMBOL	TEST CONDITIONS	MIN	TYP	MAX	UNIT
<b>OFF CHARACTERISTICS</b>						
Drain-Source Breakdown Voltage	BV <sub>DSS</sub>	V <sub>GS</sub> = 0V, I <sub>D</sub> = 250μA	600			V
Drain-Source Leakage Current	I <sub>DSS</sub>	V <sub>DS</sub> = 600V, V <sub>GS</sub> = 0V			10	μA
Gate-Source Leakage Current	Forward	I <sub>GSS</sub>			100	nA
	Reverse				-100	nA
Breakdown Voltage Temperature Coefficient	ΔBV <sub>DSS</sub> /ΔT <sub>J</sub>	I <sub>D</sub> =250μA, Referenced to 25°C		0.6		V/°C
<b>ON CHARACTERISTICS</b>						
Gate Threshold Voltage	V <sub>GS(TH)</sub>	V <sub>DS</sub> = V <sub>GS</sub> , I <sub>D</sub> = 250μA	2.0		4.0	V
Static Drain-Source On-State Resistance	R <sub>DS(ON)</sub>	V <sub>GS</sub> = 10 V, I <sub>D</sub> = 2.2A		2.2	2.5	Ω
<b>DYNAMIC CHARACTERISTICS</b>						
Input Capacitance	C <sub>ISS</sub>	V <sub>DS</sub> = 25V, V <sub>GS</sub> = 0V, f = 1MHz		520	600	pF
Output Capacitance	C <sub>OSS</sub>			52	70	pF
Reverse Transfer Capacitance	C <sub>RSS</sub>			11	15	pF
<b>SWITCHING CHARACTERISTICS</b>						
Total Gate Charge (Note 1)	Q <sub>G</sub>	V <sub>DS</sub> = 200V, I <sub>D</sub> = 1.3A, I <sub>G</sub> = 100μA, V <sub>GS</sub> = 10V (Note 1, 2)		18.2		nC
Gate-Source Charge	Q <sub>GS</sub>			5.2		nC
Gate-Drain Charge	Q <sub>GD</sub>			4.3		nC
Turn-On Delay Time (Note 1)	t <sub>D(ON)</sub>	V <sub>DD</sub> = 200V, I <sub>D</sub> = 2.0A, R <sub>G</sub> = 25Ω (Note 1, 2)		12	80	ns
Turn-On Rise Time	t <sub>R</sub>			18	70	ns
Turn-Off Delay Time	t <sub>D(OFF)</sub>			32	120	ns
Turn-Off Fall Time	t <sub>F</sub>			22	70	ns
<b>SOURCE- DRAIN DIODE RATINGS AND CHARACTERISTICS</b>						
Maximum Continuous Drain-Source Diode Forward Current	I <sub>S</sub>				4.4	A
Maximum Pulsed Drain-Source Diode Forward Current	I <sub>SM</sub>				17.6	A
Drain-Source Diode Forward Voltage (Note 1)	V <sub>SD</sub>	V <sub>GS</sub> = 0V, I <sub>S</sub> = 4.4A			1.4	V
Reverse Recovery Time (Note 1)	t <sub>rr</sub>	V <sub>GS</sub> = 0 V, I <sub>S</sub> = 4.4A, dI <sub>F</sub> /dt = 100 A/μs (Note 1)		250		ns
Reverse Recovery Charge	Q <sub>rr</sub>				1.5	

Notes: 1. Pulse Test: Pulse width ≤ 300μs, Duty cycle ≤ 2%

2. Essentially independent of operating temperature



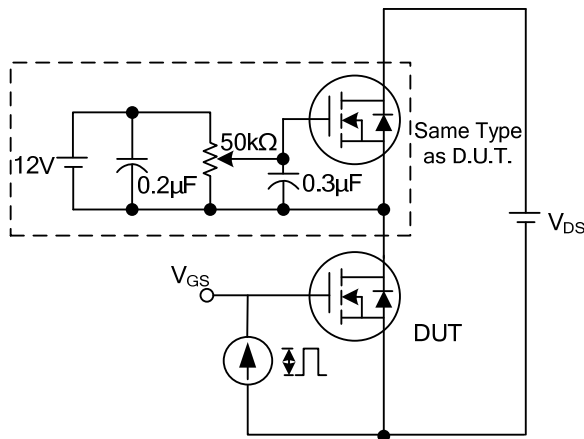
## TEST CIRCUITS AND WAVEFORMS (Cont.)



**Switching Test Circuit**



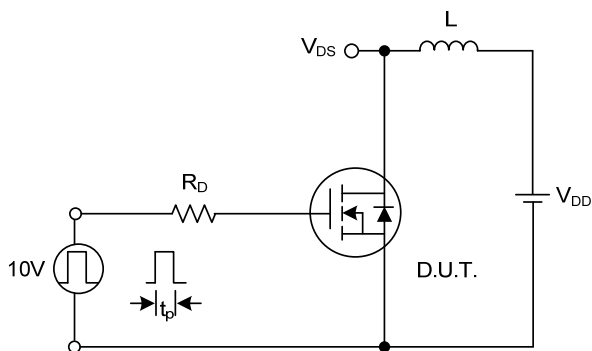
**Switching Waveforms**



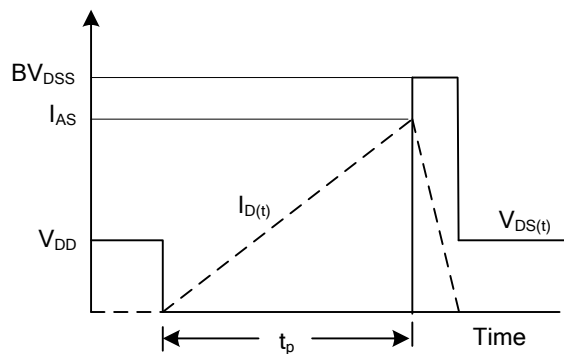
**Gate Charge Test Circuit**



**Gate Charge Waveform**

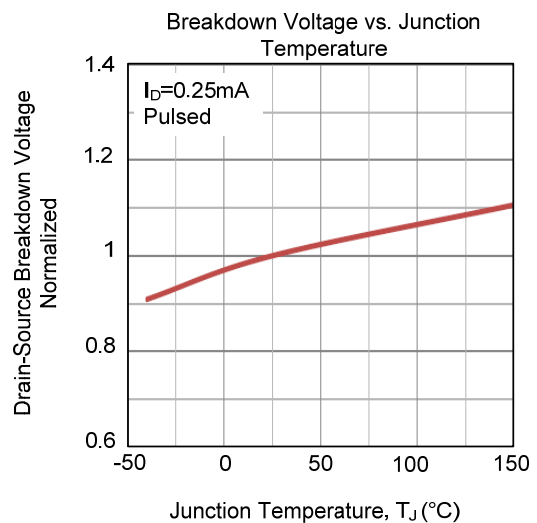
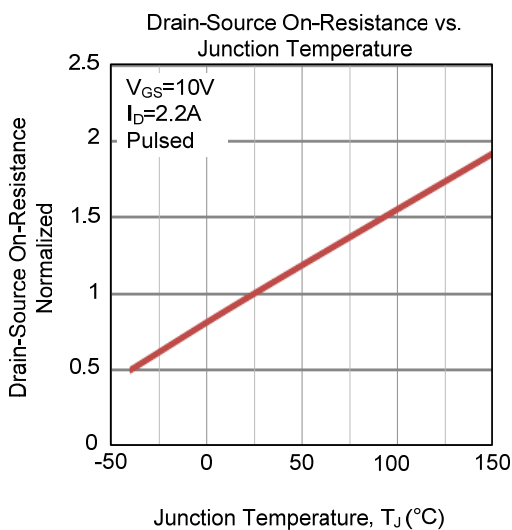
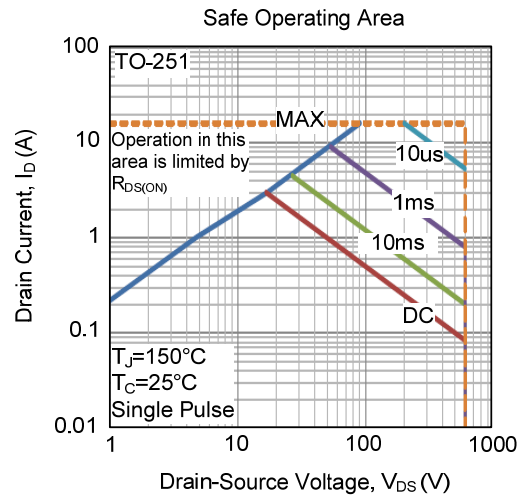
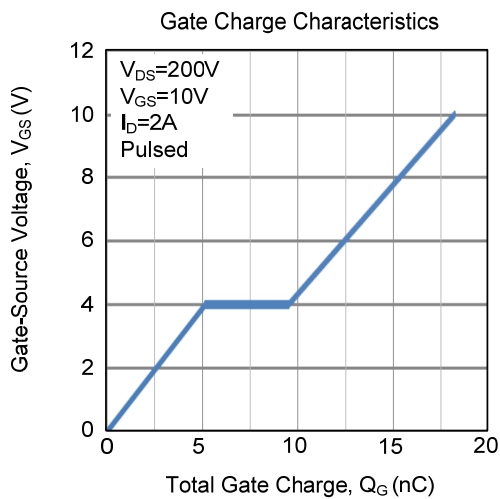
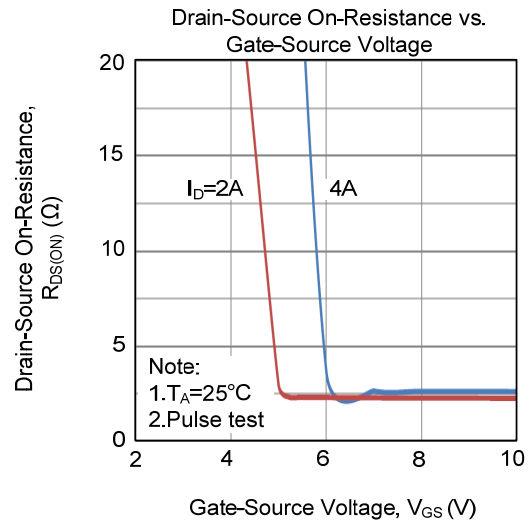
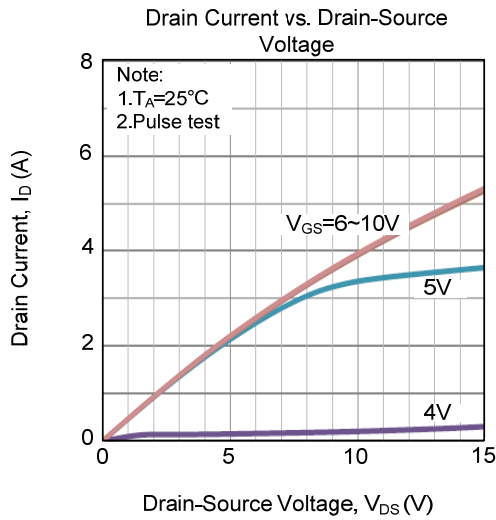


**Unclamped Inductive Switching Test Circuit**

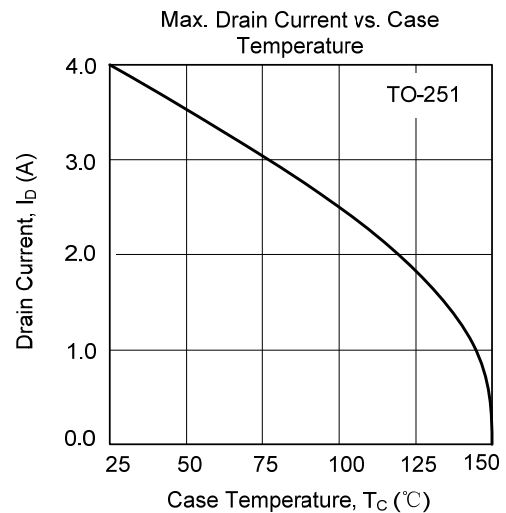
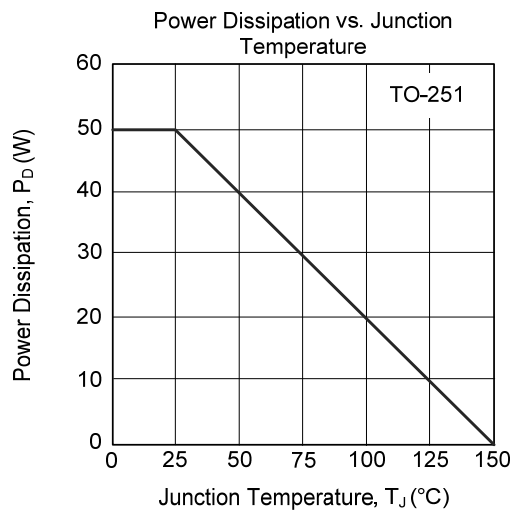
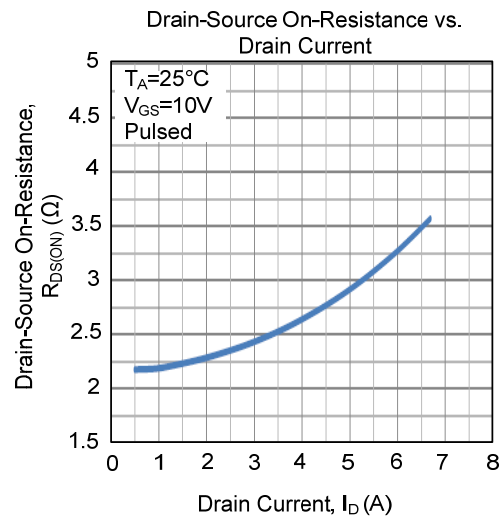
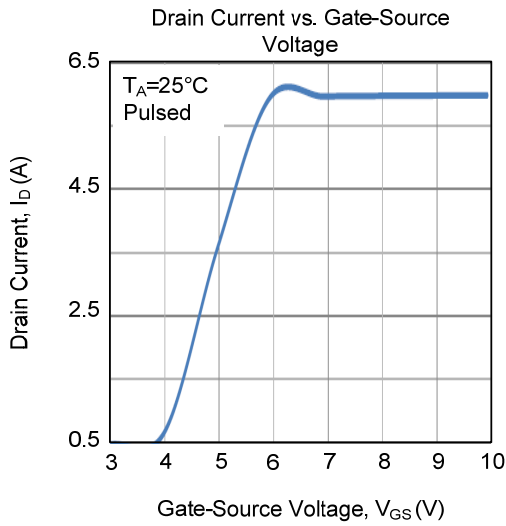
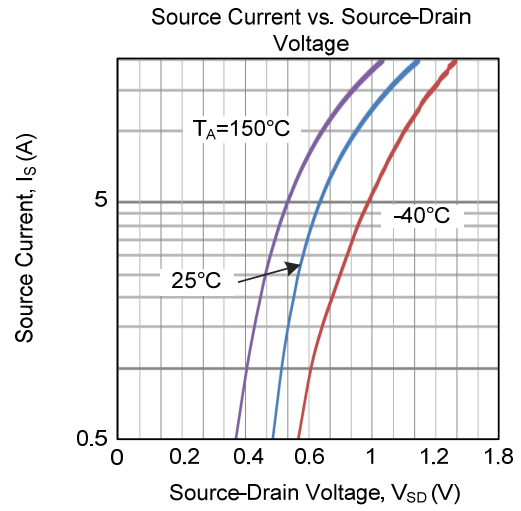
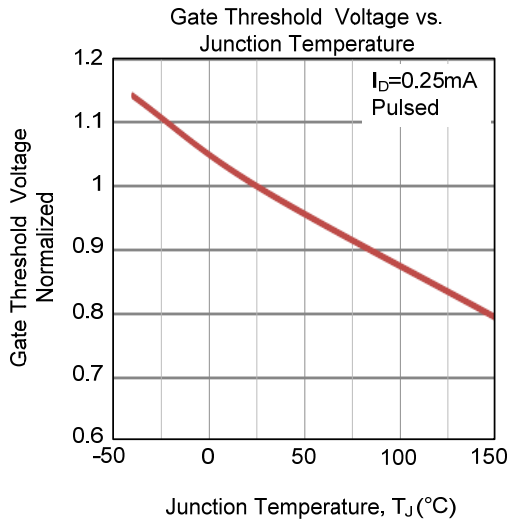


**Unclamped Inductive Switching Waveforms**

## TYPICAL CHARACTERISTICS



■ TYPICAL CHARACTERISTICS (Cont.)





UTC assumes no responsibility for equipment failures that result from using products at values that exceed, even momentarily, rated values (such as maximum ratings, operating condition ranges, or other parameters) listed in products specifications of any and all UTC products described or contained herein. UTC products are not designed for use in life support appliances, devices or systems where malfunction of these products can be reasonably expected to result in personal injury. Reproduction in whole or in part is prohibited without the prior written consent of the copyright owner. UTC reserves the right to make changes to information published in this document, including without limitation specifications and product descriptions, at any time and without notice. This document supersedes and replaces all information supplied prior to the publication hereof.