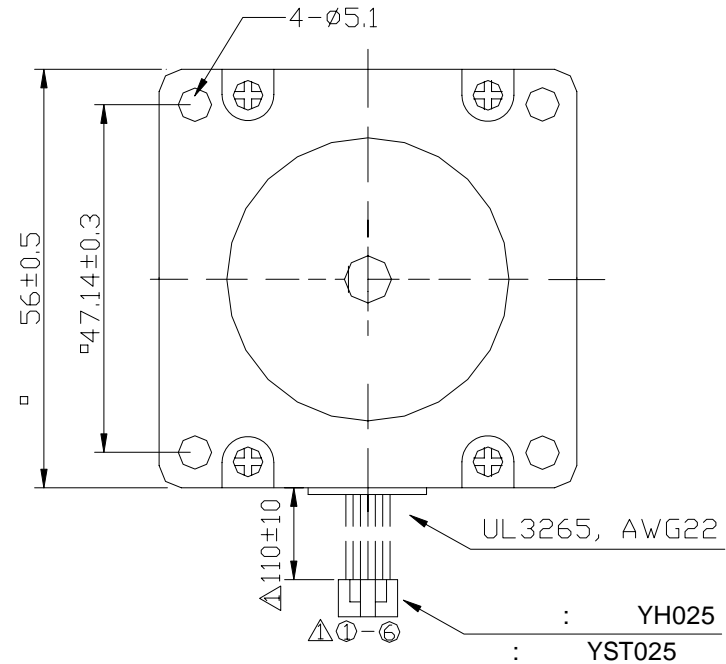
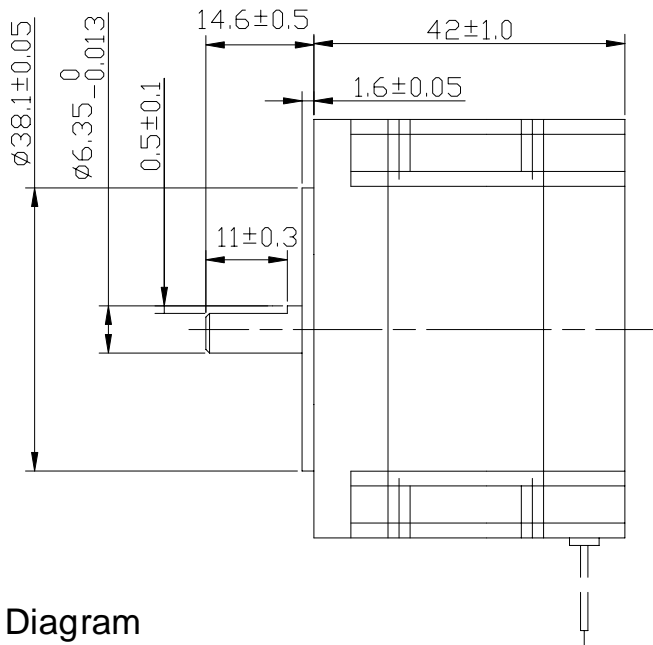


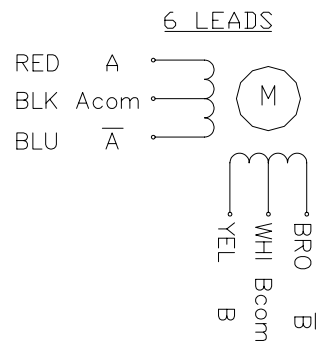
● Specification for 4S56Q- 05042SA Series

Model No.	Current /Phase	Resistance /Phase	Inductance /Phase	Holding Torque	Detent Torque	Rotor Inertia	Step Angle	Weight
Single shaft	A		mH	Kgcm	Kgcm	gcm <sup>2</sup>	°	g
4S56Q-05042SA	1	5	6.9	4.5	0.15	90	1.8	450

● Dimension



● Wiring Diagram



COMPANY			
DESIGNER		APPROVED BY	
SCALE	1:1	DATE	2009.11.03

