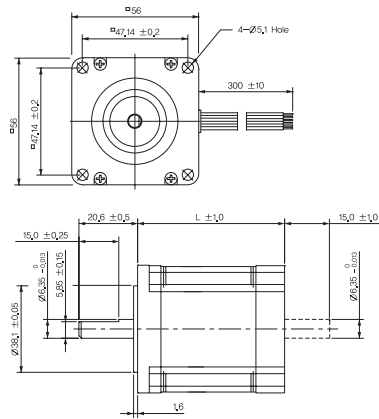
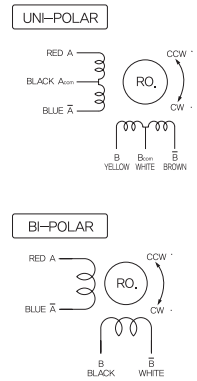


Dimension Specification



Wiring Diagram



SPECIFICATIONS

Model No. (Drive Sequence)	Step Angle (Deg.)	Rated Voltage (V/Phase)	Rated Current (A/Phase)	Winding Resistance (Ω /Phase)	Inductance (mH/Phase)	Holding Torque (N.m) (kgf · cm)	Rotor Inertia (g · cm ²)	Motor Length (L=mm)
4S56Q-12042S (UNI-POLAR)	1.8	12.0	0.4	30.0	32.0	0.39 (4.0)	90	42
4S56Q-05042S (UNI-POLAR)	1.8	5.0	1.0	5.0	6.9	0.39 (4.0)	90	42
4S56Q-02542S (UNI-POLAR)	1.8	2.5	2.0	1.3	1.5	0.39 (4.0)	90	42
4S56Q-01342S (UNI-POLAR)	1.8	1.3	3.0	0.45	0.5	0.39 (4.0)	90	42
4S56Q-12050S (UNI-POLAR)	1.8	12.0	0.6	20.0	42.0	0.69 (7.0)	190	50
4S56Q-02550S (UNI-POLAR)	1.8	2.5	2.0	1.25	2.5	0.69 (7.0)	190	50
4S56Q-12054S (UNI-POLAR)	1.8	12.0	0.6	20.0	38.0	0.79 (8.0)	230	54
4S56Q-08254S (UNI-POLAR)	1.8	8.2	1.0	8.2	14.0	0.79 (8.0)	230	54
4S56Q-03554S (UNI-POLAR)	1.8	3.5	2.0	1.8	2.6	0.79 (8.0)	230	54
4S56Q-02154S (UNI-POLAR)	1.8	2.1	3.0	0.7	1.3	0.79 (8.0)	230	54
4S56Q-05064S (UNI-POLAR)	1.8	5.0	1.4	3.6	5.3	0.89 (9.5)	260	64
4S56Q-08576S (UNI-POLAR)	1.8	8.5	1.0	8.5	18.0	1.32 (13.5)	370	76
4S56Q-04576S (UNI-POLAR)	1.8	4.5	2.0	2.3	4.3	1.32 (13.5)	370	76
4S56Q-03076S (UNI-POLAR)	1.8	3.0	3.0	1.0	1.7	1.32 (13.5)	370	76

OTHER SPECIFICATIONS AVAILABLE UPON REQUEST