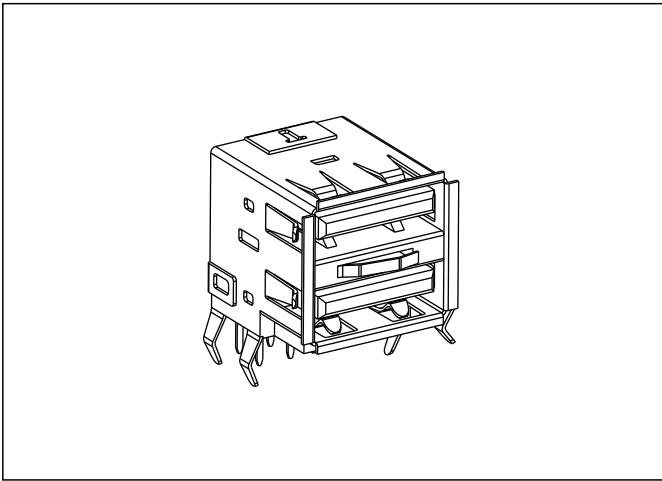


USB A Type R/A 8 Ways Dual Port

5075AR Series

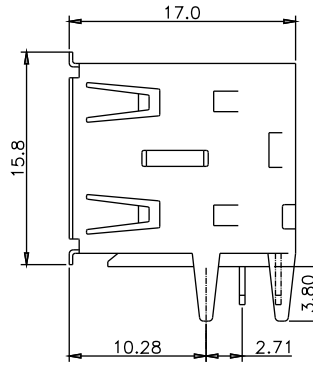
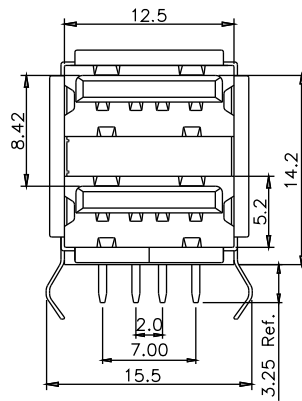
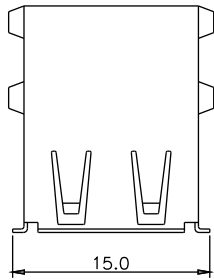


■ Specifications

- Current rating: 1.0AAC/DC
- Voltage rating: 30V AC/DC
- Contact resistance: 20m ohm. max.
- Insulation resistance: 1000M ohm. Min.
- Withstanding voltage: 750V AC for one minute
- Operating temperature range: -40°C to +105°C

■ Material and Finish

- Insulator: High Temp. Plastic(UL94V-0)
- Contact: Copper Alloy
- Plating: Selective Gold Plated



■ Ordering Information

5075AR-08B-XX

① ② ③

① USB A Type R/A	② No. Of Contacts	③ WH:White(Standard) BK:Black
------------------	-------------------	----------------------------------

■ Recommended PCB Layout

