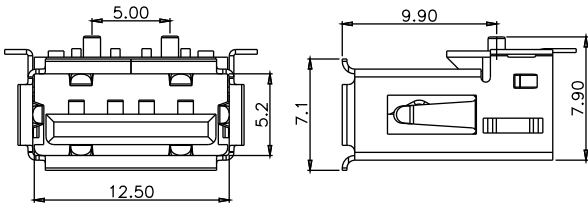
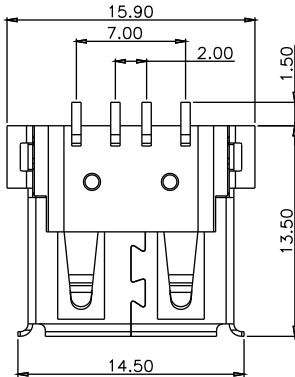


■ **Specifications**

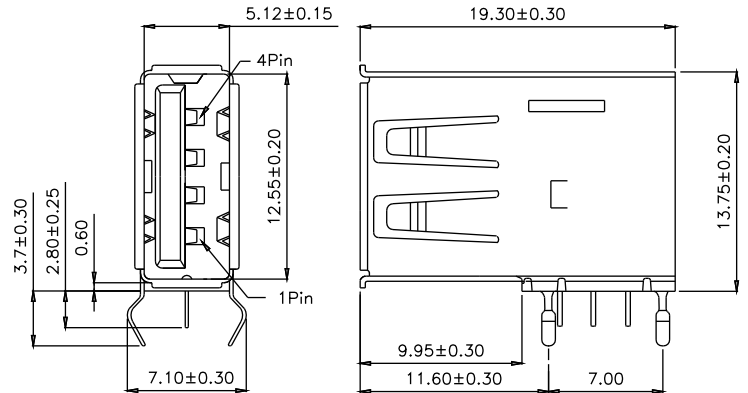
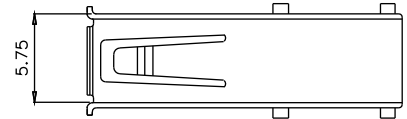
- Current rating:1.0AAC/DC
- Voltage rating:30V AC/DC
- Contact resistance:20m ohm. max.
- Insulation resistance:1000M ohm. Min.
- Withstanding voltage:750V AC for one minute
- Operating temperature range:-40°C to +105°C

■ **Material and Finish**

- Insulator:High Temp. Plastic(UL94V-0)
- Contact:Copper Alloy
- Plating:Selective Gold Plated



P/N:5075AR-04-SM-XX



P/N:5075AUR-04-XX

■ **Ordering Information**

5075AR-04-SM-XX

- ① ② ③ ④

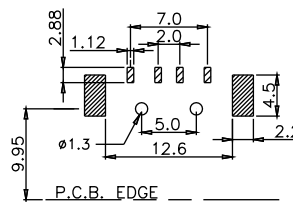
① AR:USB A Type R/A	② No. Of Contacts	④ WH:White(Standard) BK:Black
	③ SMD Type	

5075AUR-04-XX

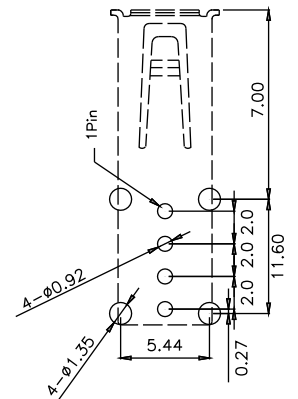
- ① ② ③

① AUR:USB A Type UP R/A	② No. Of Contacts	③ WH:White(Standard) BK:Black
----------------------------	-------------------	----------------------------------

■ **Recommended PCB Layout**



P/N:5075AR-04-SM-XX



P/N:5075AUR-04-XX

Unit:mm