

MICROSTRIP/STRIPLINE PIN DIODE SWITCH

DESCRIPTION:

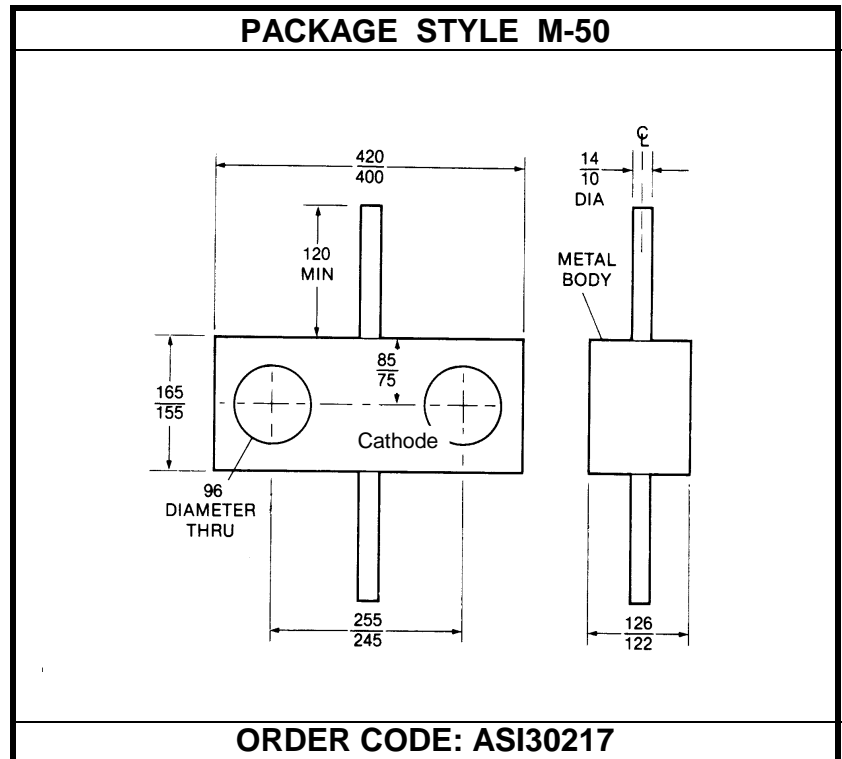
The **ASI 5082-3170** is a Silicon PIN Diode Module Designed for Reflective Attenuator and Switching Applications from 1 to 18 GHz.

FEATURES INCLUDE:

- Direct Replacement for **HP 5082-3170**
- Isolation = 20 dB min. at 10 GHz
- Hermetic Package

MAXIMUM RATINGS

I_F	250 mA
V_R	150 V
P_{DISS}	1.75 W @ $T_C = 25^\circ\text{C}$
T_J	-65°C to $+150^\circ\text{C}$
T_{STG}	-65°C to $+150^\circ\text{C}$
θ_{JC}	72 $^\circ\text{C/W}$



CHARACTERISTICS $T_C = 25^\circ\text{C}$

SYMBOL	TEST CONDITIONS			MINIMUM	TYPICAL	MAXIMUM	UNITS
V_{BR}	$I_R = 10 \mu\text{A}$			150			V
V_F	$I_F = 100 \text{ mA}$					1.0	V
τ	$I_F = 50 \text{ mA}$	$I_R = 250 \text{ mA}$			400		μS
I_L	$I_F = 0 \text{ mA}$	$P_{IN} = 0 \text{ dBm}$	$f = 10 \text{ GHz}$			0.5	dB
I_L	$I_F = 100 \text{ mA}$	$P_{IN} = 0 \text{ dBm}$	$f = 10 \text{ GHz}$	20			dB
V_{SWR}	$I_F = 0 \text{ mA}$	$P_{IN} = 0 \text{ dBm}$	$f = 10 \text{ GHz}$			1.5:1	---