

FEATURES AND SPECIFICATIONS

Features and Benefits

- Stacking height: 2.0mm
- Sizes 40 to 80 circuits
- High temperature housing
- Durable blade on beam contact interface
- Anti-flux design

Reference Information

Packaging: Embossed tape
 Mates With: 53729
 Designed In: Millimeters

Electrical

Voltage: 50V
 Current: 0.5A
 Contact Resistance: 30mΩ max.
 Dielectric Withstanding Voltage: 500V AC
 Insulation Resistance: 500 MΩ min.

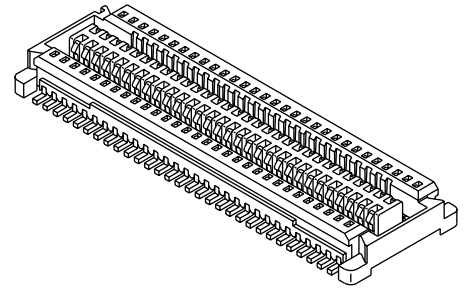
Physical

Housing: White glass-filled LCP, UL 94V-0
 Contact: Phosphor Bronze
 Vacuum Pick-Up Tape: Polyimide
 Plating: Gold over nickel
 Temperature: -40 to +105°C

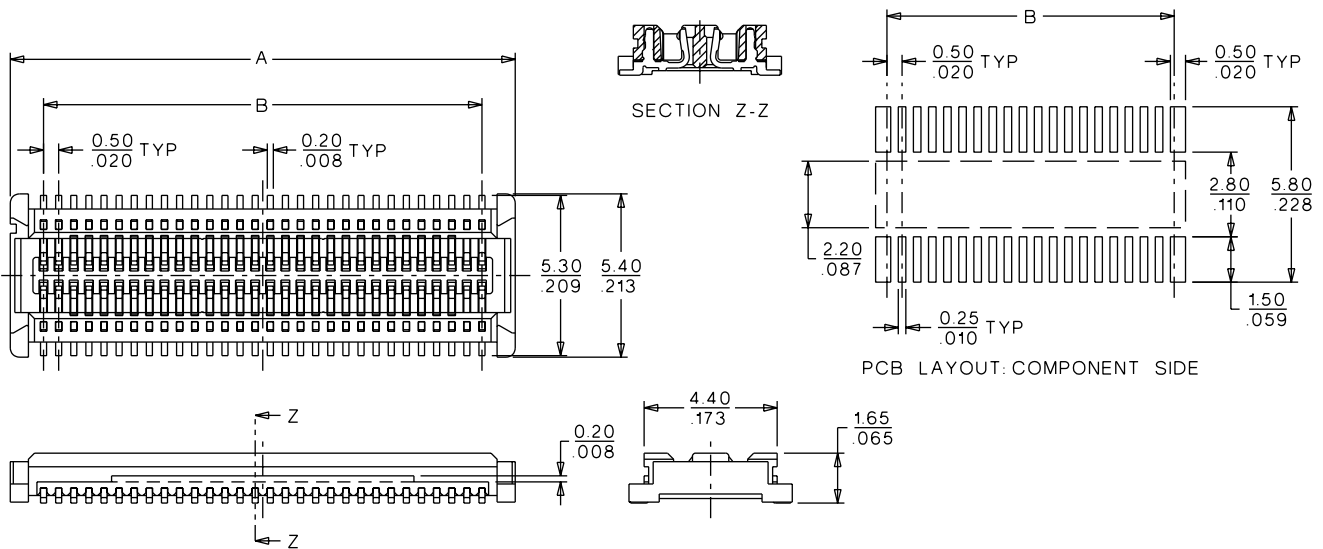
molex® 0.50mm (.020") Pitch Board-to-Board Receptacle

52974

SMT, Dual Row Vertical Stacking



Micro Connectors



ORDERING INFORMATION AND DIMENSIONS

Circuits	Order No.		Dimension		Carrier Tape Width
	With Vacuum Pick-Up Tape	Without Vacuum Pick-Up Tape	A	B	
40	52974-0404	52974-0408	11.70 (.460)	9.50 (.374)	24.00 (.945)
50	52974-0504	52974-0508	14.20 (.559)	12.00 (.472)	24.00 (.945)
60	52974-0604	52974-0608	16.70 (.657)	14.50 (.570)	24.00 (.945)
80	52974-0804	52974-0808	21.70 (.854)	19.50 (.767)	32.00 (1.260)

Note: Contact Inside Sales for embossed tape specifications

Note: Use only one connector per daughterboard in order to insure proper mating alignment