

This document was generated on 04/13/2010

PLEASE CHECK WWW.MOLEX.COM FOR LATEST PART INFORMATION

Part Number: [0039533647](#)
Status: **Active**
Description: 2.54mm (.100") Pitch QF-50™, Right Angle, Dual Row with Eject Levers, Shrouded Header, 64 Circuits

Documents:

[3D Model](#) [RoHS Certificate of Compliance \(PDF\)](#)
[Drawing \(PDF\)](#)

General

Product Family	Ribbon Cable / Wire Trap Connectors
Series	5340
Comments	Lever Spring Pins
Component Type	PCB Header
Glow-Wire Compliant	No
Product Name	QF-50™

Physical

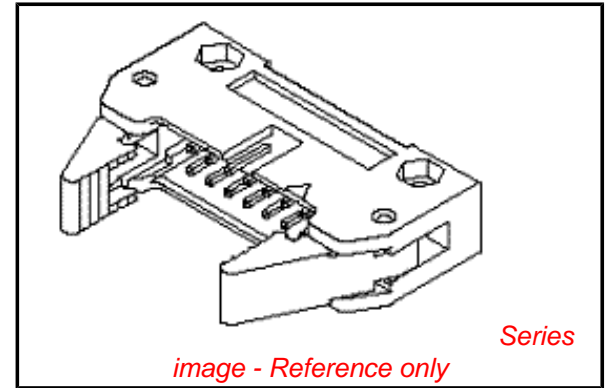
Circuits (Loaded)	64
Color - Resin	Black
Entry Angle	90° Angle
Lock to Mating Part	Yes
Material - Metal	Brass
Material - Plating Mating	Gold
Material - Plating Termination	Tin
Number of Rows	2
PCB Locator	Yes
PCB Retention	None
PCB Thickness Recommended (in)	0.062 In
PCB Thickness Recommended (mm)	1.60 mm
Packaging Type	Tray
Pitch - Mating Interface (in)	0.100 In
Pitch - Mating Interface (mm)	2.54 mm
Plating min: Mating (µin)	0.004
Plating min: Mating (µm)	0.10
Plating min: Termination (µin)	0.040
Plating min: Termination (µm)	1.00
Polarized to Mating Part	No
Polarized to PCB	No
Shrouded	Yes
Stackable	No
Surface Mount Compatible (SMC)	No
Temperature Range - Operating	-40°C to +105°C
Wire Insulation Diameter	N/A
Wire Size AWG	N/A
Wire/Cable Type	Ribbon Cable

Electrical

Current - Maximum per Contact	1A
Voltage - Maximum	250V

Material Info

Old Part Number	5340-64BGS17F
-----------------	---------------



EU RoHS

**ELV and RoHS
Compliant**
**REACH SVHC
Not Reviewed**
**Halogen-Free
Status**

China RoHS



**Need more information on product
environmental compliance?**

Email productcompliance@molex.com
 For a multiple part number RoHS Certificate of Compliance, [click here](#)

Please visit the [Contact Us](#) section for any non-product compliance questions.

Search Parts in this Series

[5340Series](#)

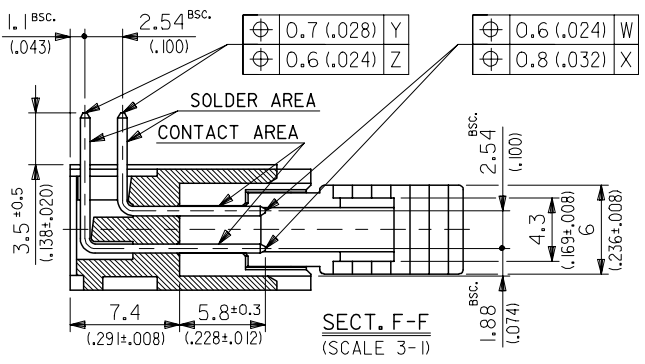
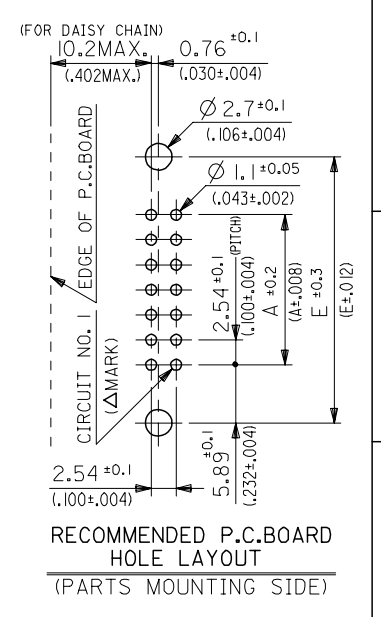
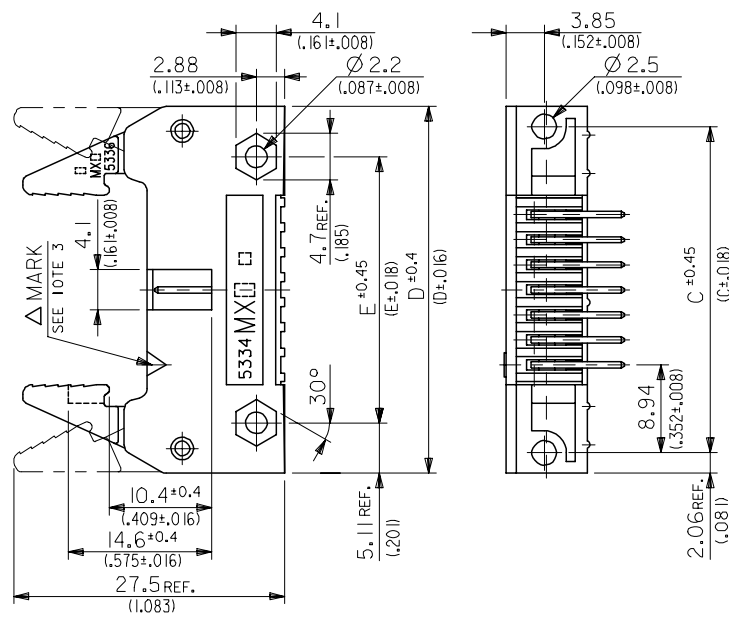
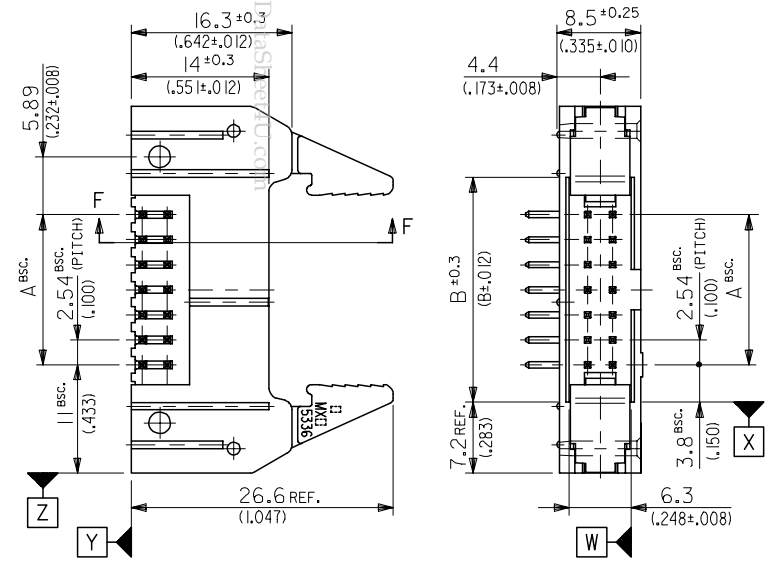
Mates With

[5320](#)

PLEASE CHECK WWW.MOLEX.COM FOR LATEST PART INFORMATION

WWW.D919216610.COM

WWW.D919216610.COM



- NOTES**
- MATERIAL: HEADER & EJECT LEVER : G.F. 15% PBTP (UL94V-0), COLOR---BLACK
 PINS : BRASS, SIZE--- $\square 0.635(0.25 \text{ SQ.})$
 SPRING PIN : STEEL
 - MATES WITH MOLEX CONNECTOR SERIES OF 5320.
 - LEGEND: $5340 - N B *$
 BASE NUMBER : 5340
 CIRCUIT SIZE : N
 WITH EJECT LEVER : B
 PLATING CODE OF PIN : *

LEAD FREE CODE*	MARK COLOR	CONTACT AREA	SOLDER AREA	UNDER PLATE
G2	ORANGE	GOLD 0.76 $\mu\text{m}(0.00003)$ MIN.	GOLD 0.76 $\mu\text{m}(0.00003)$ MIN.	NICKEL 1 $\mu\text{m}(0.00004)$ MIN.
G3	GREEN	GOLD 0.25 $\mu\text{m}(0.00001)$ MIN.	TIN-LEAD 3 $\mu\text{m}(0.00012)$ MIN.	
GS1	YELLOW	GOLD 0.1 $\mu\text{m}(0.000004)$ MIN.	TIN 1 $\mu\text{m}(0.00004)$ MIN.	NICKEL 0.5 $\mu\text{m}(0.00002)$ MIN.
GS2	BROWN	GOLD 0.76 $\mu\text{m}(0.00003)$ MIN.		
GS3	BLUE	GOLD 0.25 $\mu\text{m}(0.00001)$ MIN.		
GS4	GOLD	GOLD 1.27 $\mu\text{m}(0.00005)$ MIN.		
GS17F	YELLOW	GOLD 0.1 $\mu\text{m}(0.000004)$ MIN.		
GS27F	BROWN	GOLD 0.76 $\mu\text{m}(0.00003)$ MIN.		
GS37F	BLUE	GOLD 0.25 $\mu\text{m}(0.00001)$ MIN.		
GS47F	GOLD	GOLD 1.27 $\mu\text{m}(0.00005)$ MIN.		
T2	BLACK	TIN 1 $\mu\text{m}(0.00004)$ MIN.		

64	78.74 (3.100)	86.34 (3.400)	96.62 (3.804)	100.74 (3.966)	90.52 (3.564)
60	73.66 (2.900)	81.26 (3.200)	91.54 (3.604)	95.66 (3.766)	85.44 (3.364)
50	60.96 (2.400)	68.56 (2.700)	78.84 (3.104)	82.96 (3.266)	72.74 (2.864)
40	48.26 (1.900)	55.86 (2.200)	66.14 (2.604)	70.26 (2.766)	60.04 (2.364)
34	40.64 (1.600)	48.24 (1.900)	58.52 (2.304)	62.64 (2.466)	52.42 (2.064)
30	35.56 (1.400)	43.16 (1.700)	53.44 (2.104)	57.56 (2.266)	47.34 (1.864)
27	30.48 (1.200)	38.08 (1.500)	48.36 (1.904)	52.48 (2.066)	42.26 (1.664)
22	22.86 (.900)	30.46 (1.200)	40.74 (1.604)	44.86 (1.766)	34.64 (1.364)
17	17.78 (.700)	25.38 (1.000)	35.66 (1.404)	39.78 (1.566)	29.56 (1.164)
15	15.24 (.600)	22.84 (.900)	33.12 (1.304)	37.24 (1.466)	27.02 (1.064)
11	10.16 (.400)	17.76 (.700)	28.04 (1.104)	32.16 (1.266)	21.94 (.864)
DIM. A	DIM. B	DIM. C	DIM. D	DIM. E	

REVISED EC NO: J2006-0712 DRWN:YANAGI MOTO 2005/10/03 CHKD:MIYAKAWA 2005/10/06 APPR:MIYAKAWA 2005/10/14	GENERAL TOLERANCES (UNLESS SPECIFIED)		DIMENSION STYLE MM/IN		SCALE 2:1		DESIGN UNITS METRIC		THIRD ANGLE PROJECTION	
	10 UNDER	±0.2	DRAWN BY	DATE	HHIRAMOT	1989/11/13	TITLE QIK FLECS HEADER ASSY R/A WITH EJECT LEVER (ENGLISH ONLY)			
	10 OVER 30 UNDER	±0.25	CHECKED BY	DATE			MOLEX MOLEX INCORPORATED			
30 OVER	±0.3	APPROVED BY	DATE	HIKESUGI						
ANGULAR ±3°		DRAFT WHERE APPLICABLE MUST REMAIN WITHIN DIMENSIONS		MATERIAL NO.	DOCUMENT NO.	SEE SHEET 2 OF 2 SD-5340-002		SHEET NO. 1 OF 2		
THIS DRAWING CONTAINS INFORMATION THAT IS PROPRIETARY TO MOLEX INCORPORATED AND SHOULD NOT BE USED WITHOUT WRITTEN PERMISSION										