

## MM54HCT688/MM74HCT688 8-Bit Magnitude Comparator (Equality Detector)

### General Description

This equality detector utilizes advanced silicon-gate CMOS technology to compare bit for bit two 8-bit words and indicate whether or not they are equal. The  $\overline{P=Q}$  output indicates equality when it is low. A single active low enable is provided to facilitate cascading of several packages and enable comparison of words greater than 8 bits.

This device is useful in memory block decoding applications, where memory block enable signals must be generated from computer address information.

The comparator combines the low power consumption of CMOS, but inputs are compatible with TTL logic levels, and the output can drive 10 low power Schottky equivalent loads.

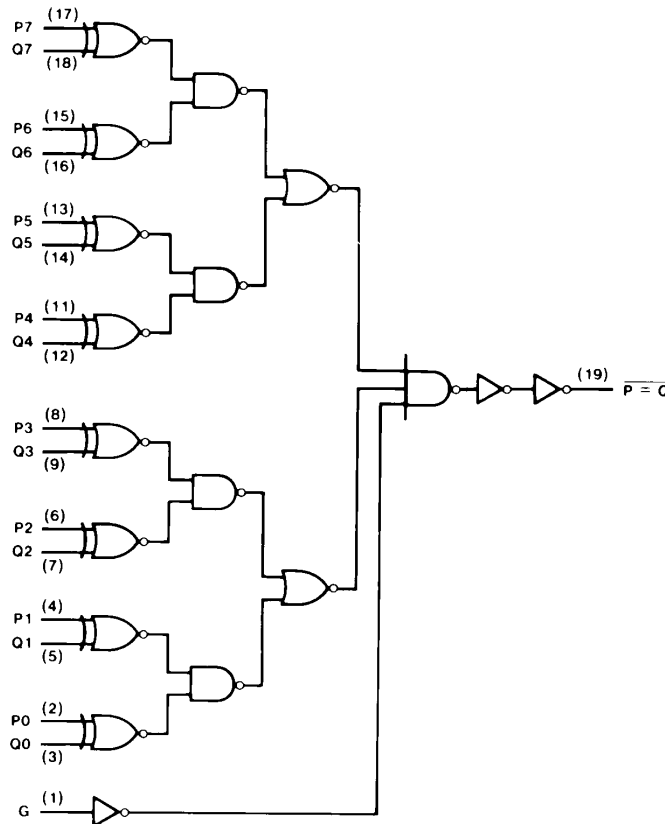
MM54HCT/MM74HCT devices are intended to interface between TTL and NMOS components and standard CMOS devices. These parts are also plug in replacements for LS-TTL devices and can be used to reduce power consumption in existing designs.

All inputs are protected from damage due to static discharge by diodes to  $V_{CC}$  and ground.

### Features

- TTL input compatible
- Typical propagation delay: 20 ns
- Low quiescent current: 80  $\mu A$  maximum (74HCT Series)
- Large output current: 4 mA
- Same as HCT521

### Logic Diagrams



TL/F/5371-2

## Absolute Maximum Ratings (Notes 1 & 2)

If Military/Aerospace specified devices are required, please contact the National Semiconductor Sales Office/Distributors for availability and specifications.

Supply Voltage ( $V_{CC}$ )	-0.5 to +7.0V
DC Input Voltage ( $V_{IN}$ )	-1.5 to $V_{CC} + 1.5V$
DC Output Voltage ( $V_{OUT}$ )	-0.5 to $V_{CC} + 0.5V$
Clamp Diode Current ( $I_{IK}, I_{OK}$ )	$\pm 20$ mA
DC Output Current, per pin ( $I_{OUT}$ )	$\pm 25$ mA
DC $V_{CC}$ or GND Current, per pin ( $I_{CC}$ )	$\pm 50$ mA
Storage Temperature Range ( $T_{STG}$ )	-65°C to +150°C
Power Dissipation ( $P_D$ )	
(Note 3)	600 mW
S.O. Package only	500 mW
Lead Temperature ( $T_L$ )	
(Soldering 10 seconds)	260°C

## Operating Conditions

	Min	Max	Units
Supply Voltage ( $V_{CC}$ )	4.5	5.5	V
DC Input or Output Voltage ( $V_{IN}, V_{OUT}$ )	0	$V_{CC}$	V
Operating Temp. Range ( $T_A$ )			
MM74HCT688	-40	+85	°C
MM54HCT688	-55	+125	°C
Input Rise or Fall Times ( $t_r, t_f$ )		500	ns

## DC Electrical Characteristics ( $V_{CC} = 5V \pm 10\%$ unless otherwise specified)

Symbol	Parameter	Conditions	$T_A = 25^\circ\text{C}$		74HCT	54HCT	Units	
			Typ	Guaranteed Limits				
			$T_A = -40$ to $85^\circ\text{C}$		$T_A = -55$ to $125^\circ\text{C}$			
$V_{IH}$	Minimum High Level Input Voltage			2.0	2.0	2.0	V	
$V_{IL}$	Maximum Low Level Input Voltage			0.8	0.8	0.8	V	
$V_{OH}$	Minimum High Level Output Voltage	$V_{IN} = 0.8V$ or $2.0V$	$V_{CC}$	$V_{CC} - 0.1$	$V_{CC} - 0.1$	$V_{CC} - 0.1$	V	
		$ I_{OUT}  = 20 \mu\text{A}$	4.2	3.98	3.84	3.7	V	
		$ I_{OUT}  = 4.0 \text{ mA}, V_{CC} = 4.5V$	5.7	4.98	4.84	4.7	V	
$V_{OL}$	Maximum Low Level Voltage	$V_{IN} = 0.8V$ or $2.0V$	0	0.1	0.1	0.1	V	
		$ I_{OUT}  = 20 \mu\text{A}$	0.2	0.26	0.33	0.4	V	
		$ I_{OUT}  = 4.0 \text{ mA}, V_{CC} = 4.5V$	0.2	0.26	0.33	0.4	V	
$I_{IN}$	Maximum Input Current	$V_{IN} = V_{CC}$ or GND		$\pm 0.1$	$\pm 1.0$	$\pm 1.0$	$\mu\text{A}$	
$I_{CC}$	Maximum Quiescent Supply Current	$V_{IN} = V_{CC}$ or GND		8.0	80	160	$\mu\text{A}$	
		$I_{OUT} = 0 \mu\text{A}$						
		$V_{IN} = 2.4V$ or $0.5V$ (Note 4)		0.3	0.4	0.5	mA	

**Note 1:** Absolute Maximum Ratings are those values beyond which damage to the device may occur.

**Note 2:** Unless otherwise specified all voltages are referenced to ground.

**Note 3:** Power Dissipation temperature derating — plastic "N" package: -12 mW/°C from 65°C to 85°C; ceramic "J" package: -12 mW/°C from 100°C to 125°C.

**Note 4:** Measured per pin. All other inputs held at  $V_{CC}$  or ground.

## AC Electrical Characteristics

$V_{CC} = 5V$ ,  $T_A = 25^\circ C$ ,  $C_L = 15\text{ pF}$ ,  $t_r = t_f = 6\text{ ns}$  (unless otherwise specified)

Symbol	Parameter	Conditions	Typ	Guaranteed Limit	Units
$t_{PHL}$	Maximum Propagation Delay - P or Q to Output		19	30	ns
$t_{PLH}$	Maximum Propagation Delay - P or Q to Output		13	22	ns
$t_{PHL}$	Maximum Propagation Delay - Enable to Output		13	20	ns
$t_{PHL}$	Maximum Propagation Delay - Enable to Output		10	18	ns

## AC Electrical Characteristics

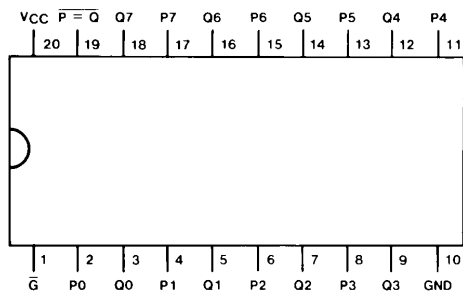
$V_{CC} = 5V \pm 10\%$ ,  $C_L = 50\text{ pF}$ ,  $t_r = t_f = 6\text{ ns}$  (unless otherwise specified)

Symbol	Parameter	Conditions	$T_A = 25^\circ C$		74HCT	54HCT	Units
			Typ	Guaranteed Limits	$T_A = -40\text{ to }85^\circ C$	$T_A = -55\text{ to }125^\circ C$	
$t_{PHL}$	Maximum Propagation Delay - P or Q to Output		23	35	44	53	ns
$t_{PLH}$	Maximum Propagation Delay - P or Q to Output		16	24	30	36	ns
$t_{PHL}$	Maximum Propagation Delay - Enable to Output		16	24	30	36	ns
$t_{PLH}$	Maximum Propagation Delay - Enable to Output		11	20	25	30	ns
$t_{THL}, t_{TLH}$	Maximum Output Rise and Fall Time		8	15	19	22	ns
$C_{PD}$	Power Dissipation Capacitance (Note 5)		45				pF
$C_{IN}$	Maximum Input Capacitance		5	10	10	10	pF

**Note 5:**  $C_{PD}$  determines the no load dynamic power consumption,  $P_D = C_{PD} V_{CC}^2 f + I_{CC} V_{CC}$ , and the no load dynamic current consumption,  $I_S = C_{PD} V_{CC} + I_{CC}$ .

## Connection Diagram

### Dual-In-Line Package



### Top View

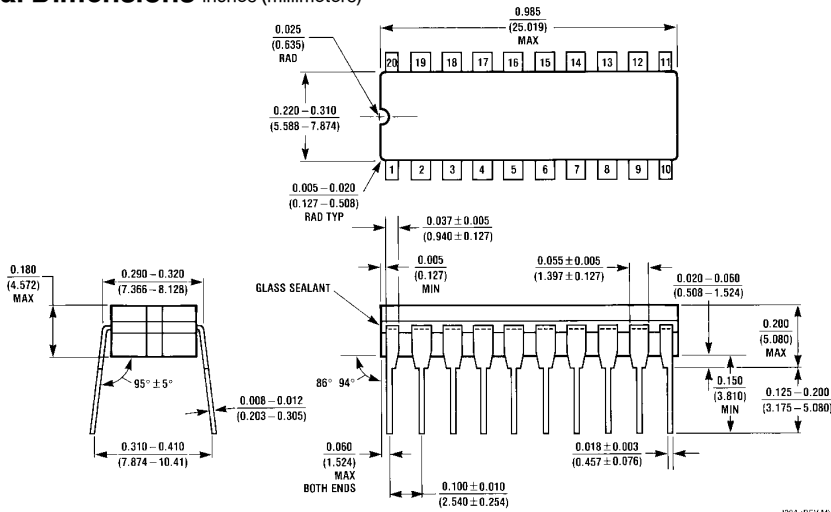
Order Number MM54HCT688 or MM74HCT688

## Truth Table

Inputs		$\overline{P=Q}$
Data P, Q	Enable $\overline{G}$	
P=Q	L	L
P>Q	L	H
P<Q	L	H
X	H	H

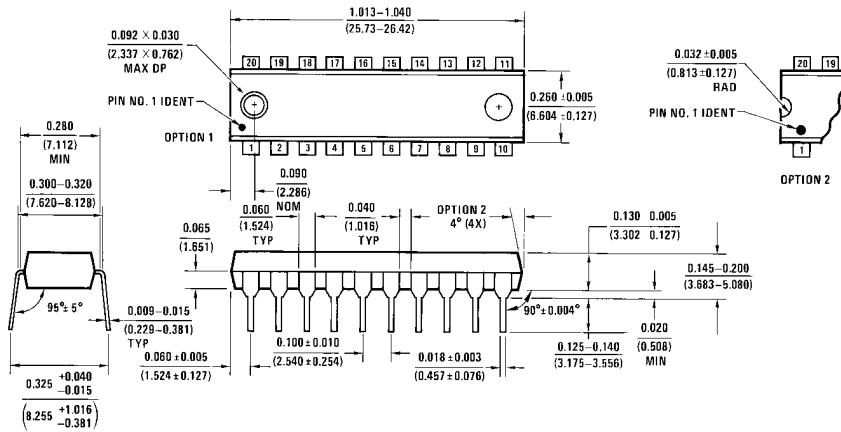
TL/F/5371-1

**Physical Dimensions** inches (millimeters)



J20A (REV M)

**Order Number MM54HCT688J or MM74HCT688J  
NS Package J20A**



N20A (REV G)

**Order Number MM74HCT688N  
NS Package N20A**

**LIFE SUPPORT POLICY**

NATIONAL'S PRODUCTS ARE NOT AUTHORIZED FOR USE AS CRITICAL COMPONENTS IN LIFE SUPPORT DEVICES OR SYSTEMS WITHOUT THE EXPRESS WRITTEN APPROVAL OF THE PRESIDENT OF NATIONAL SEMICONDUCTOR CORPORATION. As used herein:

1. Life support devices or systems are devices or systems which, (a) are intended for surgical implant into the body, or (b) support or sustain life, and whose failure to perform, when properly used in accordance with instructions for use provided in the labeling, can be reasonably expected to result in a significant injury to the user.
2. A critical component is any component of a life support device or system whose failure to perform can be reasonably expected to cause the failure of the life support device or system, or to affect its safety or effectiveness.



**National Semiconductor Corporation**  
1111 West Bardin Road  
Arlington, TX 76017  
Tel: 1(800) 272-9959  
Fax: 1(800) 737-7018

**National Semiconductor Europe**  
Fax: (+49) 0-180-530 85 86  
Email: cnjwge@tevm2.nsc.com  
Deutsch Tel: (+49) 0-180-530 85 85  
English Tel: (+49) 0-180-532 78 32  
Français Tel: (+49) 0-180-532 93 58  
Italiano Tel: (+49) 0-180-534 16 80

**National Semiconductor Hong Kong Ltd.**  
19th Floor, Straight Block,  
Ocean Centre, 5 Canton Rd.  
Tsimshatsui, Kowloon  
Hong Kong  
Tel: (852) 2737-1600  
Fax: (852) 2736-9960

**National Semiconductor Japan Ltd.**  
Tel: 81-043-299-2309  
Fax: 81-043-299-2408