

## 54ABT377

### Octal D-Type Flip-Flop with Clock Enable

#### General Description

The 'ABT377 has eight edge-triggered, D-type flip-flops with individual D inputs and Q outputs. The common buffered Clock (CP) input loads all flip-flops simultaneously, when the Clock Enable ( $\overline{CE}$ ) is LOW.

The register is fully edge-triggered. The state of each D input, one setup time before the LOW-to-HIGH clock transition, is transferred to the corresponding flip-flop's Q output. The  $\overline{CE}$  input must be stable only one setup time prior to the LOW-to-HIGH clock transition for predictable operation.

#### Features

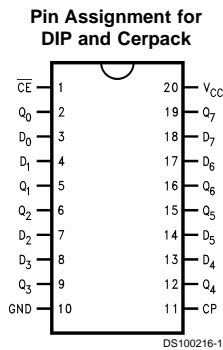
- Clock enable for address and data synchronization applications

- Eight edge-triggered D flip-flops
- Buffered common clock
- See 'ABT273 for master reset version
- See 'ABT373 for transparent latch version
- See 'ABT374 for TRI-STATE® version
- Output sink capability of 48 mA, source capability of 24 mA
- Guaranteed latchup protection
- High impedance glitch free bus loading during entire power up and power down cycle
- Non-destructive hot insertion capability
- Disable time less than enable time to avoid bus contention
- Standard Microcircuit Drawing (SMD) 5962-9314801

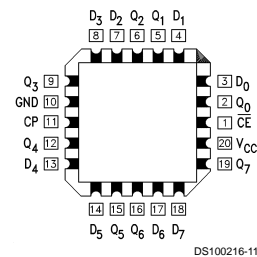
#### Ordering Code:

Military	Package Number	Package Description
54ABT377J-QML	J20A	20-Lead Ceramic Dual-In-Line
54ABT377W-QML	W20A	20-Lead Cerpac
54ABT377E-QML	E20A	20-Lead Ceramic Leadless Chip Carrier, Type C

#### Connection Diagram



#### Pin Assignment for LCC



Pin Names	Description
$D_0$ – $D_7$	Data Inputs
$\overline{CE}$	Clock Enable (Active LOW)
CP	Clock Pulse Input
$Q_0$ – $Q_7$	Data Outputs

TRI-STATE® is a registered trademark of National Semiconductor Corporation.

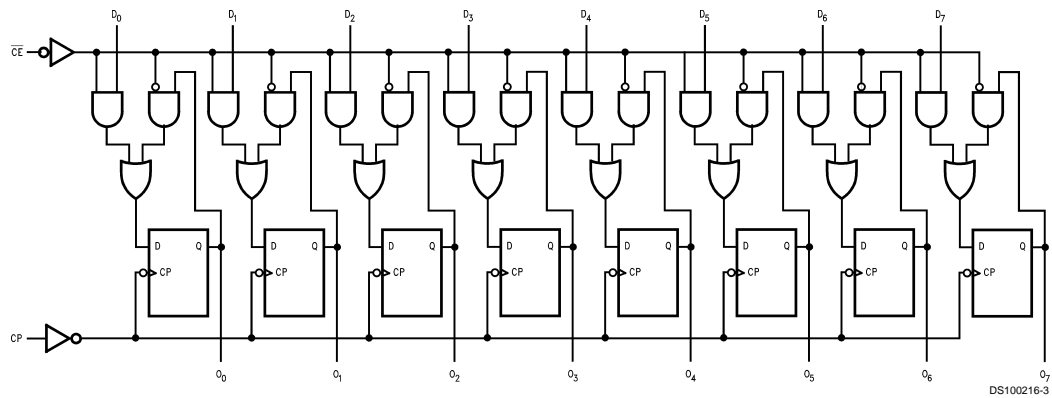
## Truth Table

Mode Select-Function Table

Operating Mode	Inputs			Output
	CP	$\overline{CE}$	$D_n$	$Q_n$
Load "1"		L	h	H
Load "0"		L	L	L
Hold		h	X	No Change
(Do Nothing)	X	H	X	No Change

H = HIGH Voltage Level  
 h = HIGH Voltage Level one setup time prior to the LOW-to-HIGH Clock Transition  
 L = LOW Voltage Level  
 l = LOW Voltage Level one setup time prior to the LOW-to-HIGH Clock Transition  
 X = Immaterial  
 = LOW-to-HIGH Clock Transition

## Logic Diagram



Please note that this diagram is provided only for the understanding of logic operations and should not be used to estimate propagation delays.

## Absolute Maximum Ratings (Note 1)

Storage Temperature	-65°C to +150°C
Ambient Temperature under Bias	-55°C to +125°C
Junction Temperature under Bias	
Ceramic	-55°C to +175°C
V <sub>CC</sub> Pin Potential to Ground Pin	-0.5V to +7.0V
Input Voltage (Note 2)	-0.5V to +7.0V
Input Current (Note 2)	-30 mA to +5.0 mA
Voltage Applied to Any Output in the Disabled or Power-Off State	-0.5V to +4.75V
in the HIGH State	-0.5V to V <sub>CC</sub>
Current Applied to Output in LOW State (Max)	Twice the rated I <sub>OL</sub> (mA)

DC Latchup Source Current (Across Comm Operating Range)	-500 mA
Over Voltage Latchup	V <sub>CC</sub> + 4.5V

## Recommended Operating Conditions

Free Air Ambient Temperature	
Military	-55°C to +125°C
Supply Voltage	
Military	+4.5V to +5.5V
Minimum Input Edge Rate	(ΔV/Δt)
Data Input	50 mV/ns
Enable Input	20 mV/ns

## DC Electrical Characteristics

Symbol	Parameter	ABT377			Units	V <sub>CC</sub>	Conditions	
		Min	Typ	Max				
V <sub>IH</sub>	Input HIGH Voltage	2.0			V		Recognized HIGH Signal	
V <sub>IL</sub>	Input LOW Voltage			0.8	V		Recognized LOW Signal	
V <sub>CD</sub>	Input Clamp Diode Voltage			-1.2	V	Min	I <sub>IN</sub> = -18 mA	
V <sub>OH</sub>	Output HIGH Voltage	54ABT	2.5		V	Min	I <sub>OH</sub> = -3 mA	
		54ABT	2.0				I <sub>OH</sub> = -24 mA	
V <sub>OL</sub>	Output LOW Voltage	54ABT		0.55	V	Min	I <sub>OL</sub> = 48 mA	
I <sub>IH</sub>	Input HIGH Current		5		μA	Max	V <sub>IN</sub> = 2.7V (Note 4)	
			5				V <sub>IN</sub> = V <sub>CC</sub>	
I <sub>BVI</sub>	Input HIGH Current Breakdown Test		7		μA	Max	V <sub>IN</sub> = 7.0V	
I <sub>IL</sub>	Input LOW Current		-5		μA	Max	V <sub>IN</sub> = 0.5V (Note 4)	
			-5				V <sub>IN</sub> = 0.0V	
V <sub>ID</sub>	Input Leakage Test	4.75			V	0.0	I <sub>ID</sub> = 1.9 μA All Other Pins Grounded	
I <sub>OS</sub>	Output Short-Circuit Current	-100	-275		mA	Max	V <sub>OUT</sub> = 0.0V	
I <sub>CEX</sub>	Output High Leakage Current		50		μA	Max	V <sub>OUT</sub> = V <sub>CC</sub>	
I <sub>CCH</sub>	Power Supply Current		50		μA	Max	All Outputs HIGH	
I <sub>CCL</sub>	Power Supply Current		30		mA	Max	All Outputs LOW	
I <sub>CCT</sub>	Maximum I <sub>CC</sub> /Input	Outputs Enabled		1.5		mA	Max	V <sub>I</sub> = V <sub>CC</sub> - 2.1V
								Data Input V <sub>I</sub> = V <sub>CC</sub> - 2.1V All Others at V <sub>CC</sub> or GND
I <sub>CCD</sub>	Dynamic I <sub>CC</sub>	No Load		0.3	mA/ MHz	Max	Outputs Open (Note 3) One bit Toggling, 50% Duty Cycle	

**Note 1:** Absolute maximum ratings are values beyond which the device may be damaged or have its useful life impaired. Functional operation under these conditions is not implied.

**Note 2:** Either voltage limit or current limit is sufficient to protect inputs.

**Note 3:** For 8 bits toggling, I<sub>CCD</sub> < 0.5 mA/MHz.

**Note 4:** Guaranteed but not tested.

## AC Electrical Characteristics

Symbol	Parameter	54ABT		Units
		$T_A = -55^\circ\text{C to }+125^\circ\text{C}$ $V_{CC} = 4.5\text{V to }5.5\text{V}$ $C_L = 50\text{ pF}$		
		Min	Max	
$f_{\text{max}}$	Max Clock Frequency	150		MHz
$t_{\text{PLH}}$	Propagation Delay	2.2	6.0	ns
$t_{\text{PHL}}$	CP to $O_n$	2.8	6.8	

## AC Operating Requirements

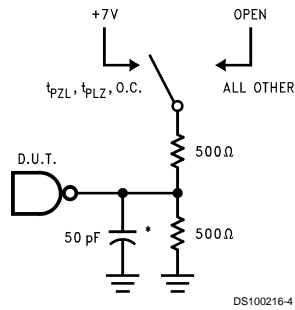
Symbol	Parameter	54ABT		Units
		$T_A = -55^\circ\text{C to }+125^\circ\text{C}$ $V_{CC} = 4.5\text{V to }5.5\text{V}$ $C_L = 50\text{ pF}$		
		Min	Max	
$t_s(\text{H})$	Setup Time, HIGH	2.0		ns
$t_s(\text{L})$	or LOW $D_n$ to CP	2.0		
$t_h(\text{H})$	Hold Time, HIGH	1.8		ns
$t_h(\text{L})$	or LOW $D_n$ to CP	1.8		
$t_s(\text{H})$	Setup Time, HIGH	3.0		ns
$t_s(\text{L})$	or LOW $\overline{\text{CE}}$ to CP	3.0		
$t_h(\text{H})$	Hold Time, HIGH	1.0		ns
$t_h(\text{L})$	or LOW $\overline{\text{CE}}$ to CP	1.0		
$t_w(\text{H})$	Pulse Width, CP,	3.3		ns
$t_w(\text{L})$	HIGH or LOW	3.3		

## Capacitance

Symbol	Parameter	Typ	Units	Conditions
$C_{\text{IN}}$	Input Capacitance	5	pF	$V_{CC} = 0\text{V}$ , $T_A = 25^\circ\text{C}$
$C_{\text{OUT}}$ (Note 5)	Output Capacitance	9	pF	$V_{CC} = 5.0\text{V}$

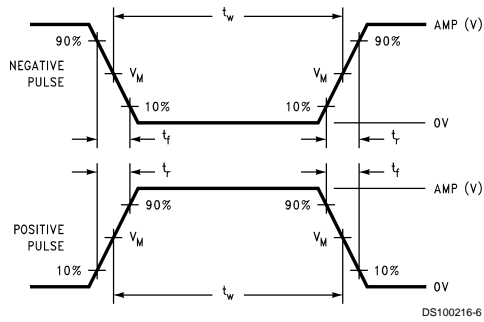
**Note 5:**  $C_{\text{OUT}}$  is measured at frequency  $f = 1\text{ MHz}$ , per MIL-STD-883B, Method 3012.

## AC Loading



\*Includes jig and probe capacitance

**FIGURE 1. Standard AC Test Load**

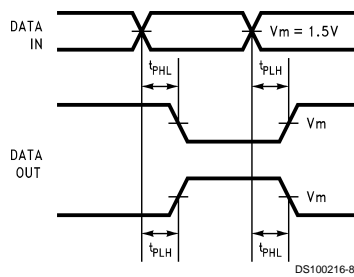


**FIGURE 2.  $V_M = 1.5V$**

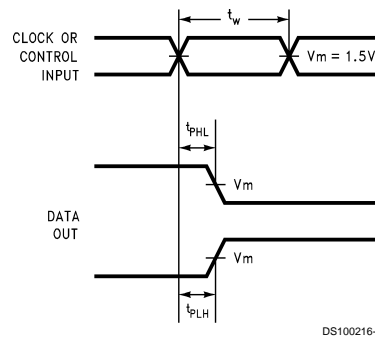
### Input Pulse Requirements

Amplitude	Rep. Rate	$t_w$	$t_r$	$t_f$
3.0V	1 MHz	500 ns	2.5 ns	2.5 ns

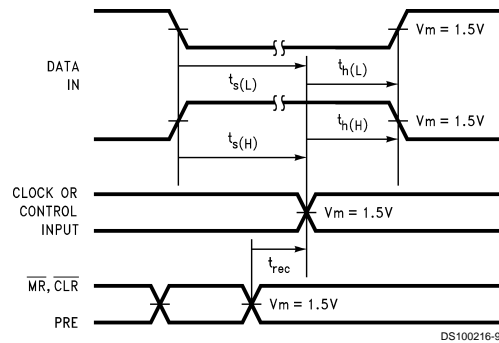
**FIGURE 3. Test Input Signal Requirements**



**FIGURE 4. Propagation Delay Waveforms for Inverting and Non-Inverting Functions**

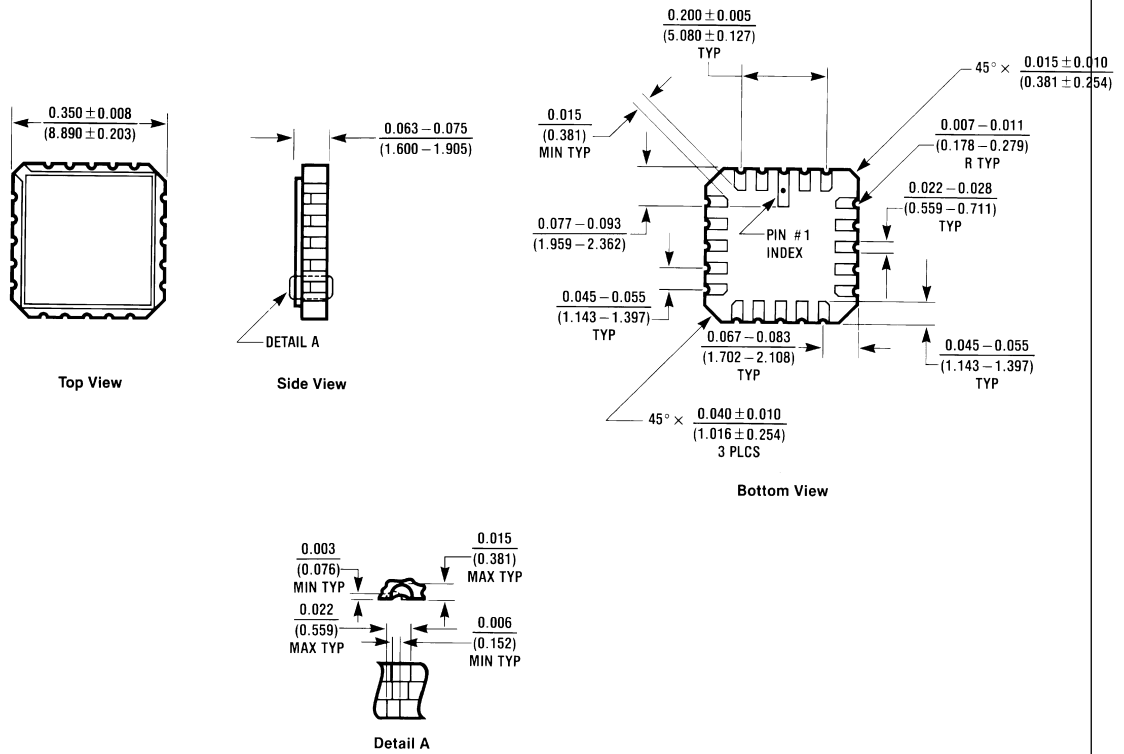


**FIGURE 5. Propagation Delay, Pulse Width Waveforms**



**FIGURE 6. Setup Time, Hold Time and Recovery Time Waveforms**

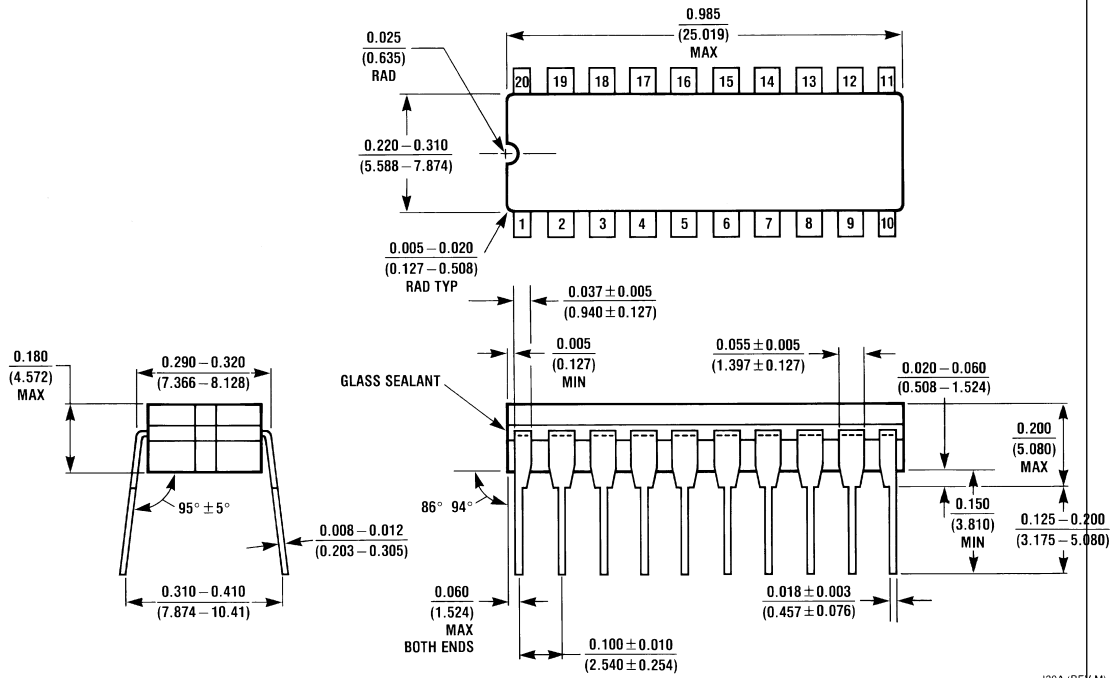
**Physical Dimensions** inches (millimeters) unless otherwise noted



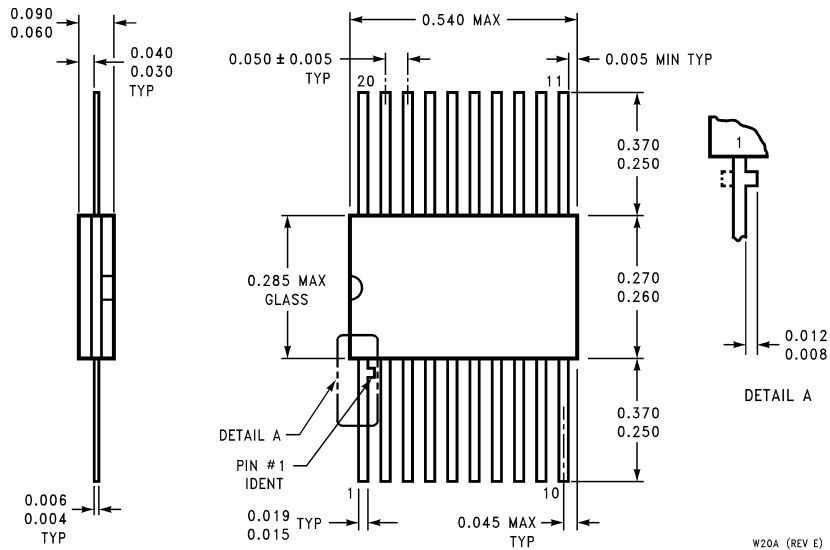
**20-Lead Ceramic Chip Carrier  
NS Package Number E20A**

E20A (REV D)

**Physical Dimensions** inches (millimeters) unless otherwise noted (Continued)



**20-Lead Ceramic Dual-In-Line Package**  
NS Package Number J20A



**20-Lead Ceramic Flatpack**  
NS Package Number W20A

**LIFE SUPPORT POLICY**

NATIONAL'S PRODUCTS ARE NOT AUTHORIZED FOR USE AS CRITICAL COMPONENTS IN LIFE SUPPORT DEVICES OR SYSTEMS WITHOUT THE EXPRESS WRITTEN APPROVAL OF THE PRESIDENT OF NATIONAL SEMICONDUCTOR CORPORATION. As used herein:

1. Life support devices or systems are devices or systems which, (a) are intended for surgical implant into the body, or (b) support or sustain life, and whose failure to perform when properly used in accordance with instructions for use provided in the labeling, can be reasonably expected to result in a significant injury to the user.
2. A critical component in any component of a life support device or system whose failure to perform can be reasonably expected to cause the failure of the life support device or system, or to affect its safety or effectiveness.



**National Semiconductor Corporation**  
Americas  
Tel: 1-800-272-9959  
Fax: 1-800-737-7018  
Email: support@nsc.com

[www.national.com](http://www.national.com)

**National Semiconductor Europe**  
Fax: +49 (0) 1 80-530 85 86  
Email: europe.support@nsc.com  
Deutsch Tel: +49 (0) 1 80-530 85 85  
English Tel: +49 (0) 1 80-532 78 32  
Français Tel: +49 (0) 1 80-532 93 58  
Italiano Tel: +49 (0) 1 80-534 16 80

**National Semiconductor Asia Pacific Customer Response Group**  
Tel: 65-2544466  
Fax: 65-2504466  
Email: sea.support@nsc.com

**National Semiconductor Japan Ltd.**  
Tel: 81-3-5620-6175  
Fax: 81-3-5620-6179