

54F/74F182 Carry Lookahead Generator

General Description

The 'F182 is a high-speed carry lookahead generator. It is generally used with the 'F181 or 'F381 4-bit arithmetic logic units to provide high-speed lookahead over word lengths of more than four bits.

Features

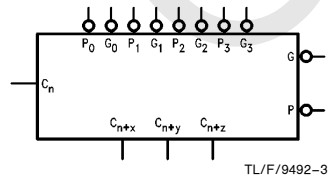
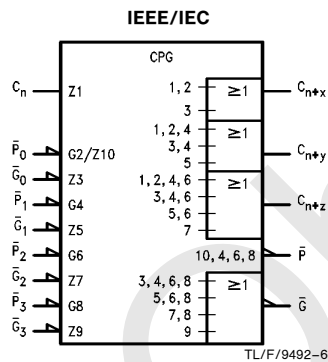
- Provides lookahead carries across a group of four ALUs
- Multi-level lookahead high-speed arithmetic operation over long word lengths
- Guaranteed 4000V minimum ESD protection

Commercial	Military	Package Number	Package Description
74F182PC		N16E	16-Lead (0.300" Wide) Molded Dual-In-Line
	54F182DM (Note 2)	J16A	16-Lead Ceramic Dual-In-Line
74F182SJ (Note 1)		M16D	16-Lead (0.300" Wide) Molded Small Outline, EIAJ
	54F182FM (Note 2)	W16A	16-Lead Cerpack
	54F182LM (Note 2)	E20A	20-Lead Ceramic Leadless Chip Carrier, Type C

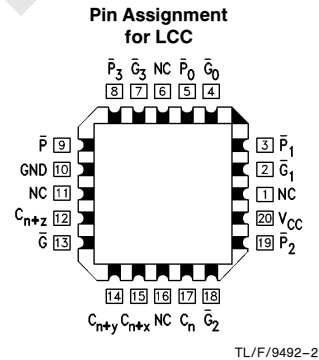
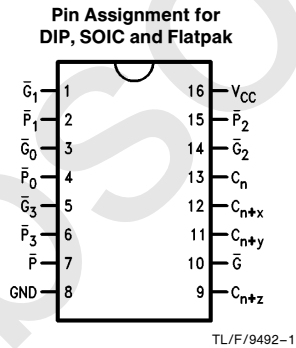
Note 1: Devices also available in 13" reel. Use suffix = SCX and SJX.

Note 2: Military grade device with environmental and burn-in processing. Use suffix = DMOB, FMOB and LMOB

Logic Symbols



Connection Diagrams



TRI-STATE® is a registered trademark of National Semiconductor Corporation.

Unit Loading/Fan Out

Pin Names	Description	54F/74F	
		U.L. HIGH/LOW	Input I _{IH} /I _{IL} Output I _{OH} /I _{OL}
C _n	Carry Input	1.0/2.0	20 μA/ -1.2 mA
$\overline{G}_0, \overline{G}_2$	Carry Generate Inputs (Active LOW)	1.0/14.0	20 μA/ -8.4 mA
\overline{G}_1	Carry Generate Input (Active LOW)	1.0/16.0	20 μA/ -9.6 mA
\overline{G}_3	Carry Generate Input (Active LOW)	1.0/8.0	20 μA/ -4.8 mA
$\overline{P}_0, \overline{P}_1$	Carry Propagate Inputs (Active LOW)	1.0/8.0	20 μA/ -4.8 mA
\overline{P}_2	Carry Propagate Input (Active LOW)	1.0/6.0	20 μA/ -3.6 mA
\overline{P}_3	Carry Propagate Input (Active LOW)	1.0/4.0	20 μA/ -2.4 mA
C _{n+x} - C _{n+z}	Carry Outputs	50/33.3	-1 mA/20 mA
\overline{G}	Carry Generate Output (Active LOW)	50/33.3	-1 mA/20 mA
\overline{P}	Carry Propagate Output (Active LOW)	50/33.3	-1 mA/20 mA

Functional Description

The 'F182 carry lookahead generator accepts up to four pairs of Active LOW Carry Propagate (\overline{P}_0 - \overline{P}_3) and Carry Generate (\overline{G}_0 - \overline{G}_3) signals and an Active HIGH Carry input (C_n) and provides anticipated Active HIGH carries (C_{n+x}, C_{n+y}, C_{n+z}) across four groups of binary adders. The 'F182 also has Active LOW Carry Propagate (\overline{P}) and Carry Generate (\overline{G}) outputs which may be used for further levels of lookahead. The logic equations provided at the outputs are:

$$C_{n+x} = G_0 + P_0 C_n$$

$$C_{n+y} = G_1 + P_1 G_0 + P_1 P_0 C_n$$

$$C_{n+z} = G_2 + P_2 G_1 + P_2 P_1 G_0 + P_2 P_1 P_0 C_n$$

$$G = \overline{G}_3 + P_3 \overline{G}_2 + P_3 P_2 \overline{G}_1 + P_3 P_2 P_1 \overline{G}_0$$

$$P = \overline{P}_2 P_2 P_1 P_0$$

Also, the 'F182 can be used with binary ALUs in an active LOW or active HIGH input operand mode. The connections (Figure 1) to and from the ALU to the carry lookahead generator are identical in both cases. Carries are rippled between lookahead blocks. The critical speed path follows the circled numbers. There are several possible arrangements for the carry interconnects, but all achieve about the same speed. A 28-bit ALU is formed by dropping the last 'F181 or 'F381.

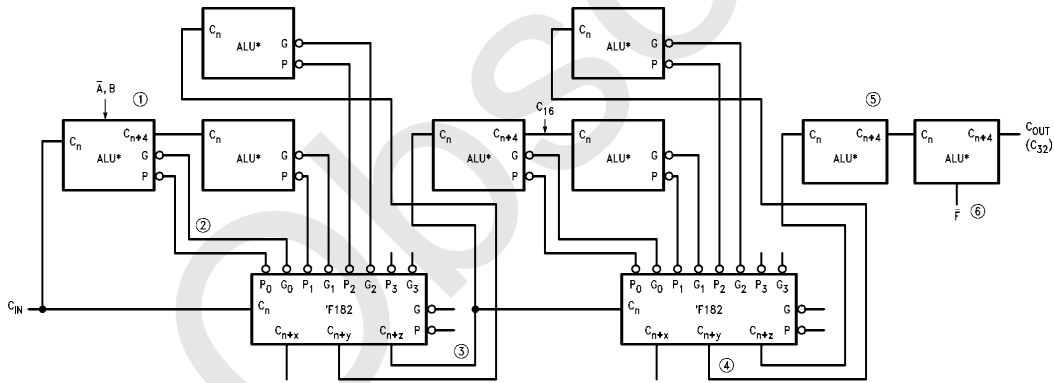


FIGURE 1. 32-Bit ALU with Rippled Carry between 16-Bit Lookahead ALUs

*ALUs may be either 'F181 or 'F381

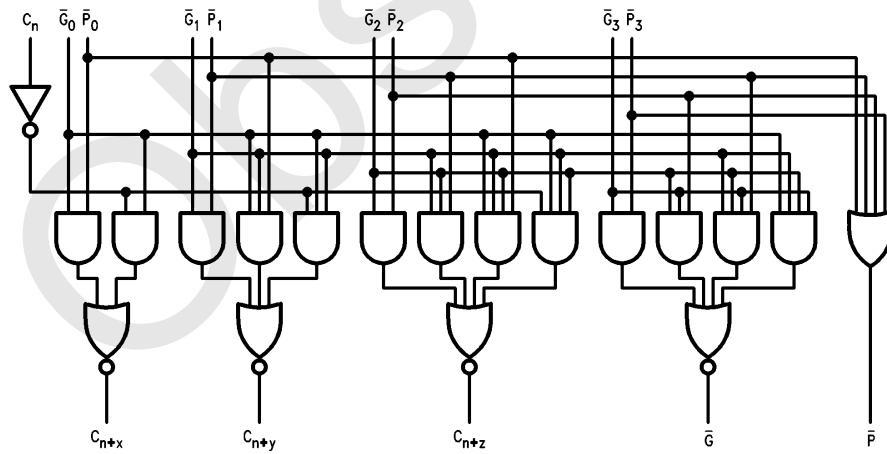
TL/F/9492-5

Truth Table

Inputs									Outputs				
C_n	\bar{G}_0	\bar{P}_0	\bar{G}_1	\bar{P}_1	\bar{G}_2	\bar{P}_2	\bar{G}_3	\bar{P}_3	C_{n+x}	C_{n+y}	C_{n+z}	\bar{G}	\bar{P}
X	H	H							L				
L	H	X							L				
X	L	X							H				
H	X	L							H				
X	X	X	H	H						L			
X	H	H	H	X						L			
L	H	X	H	X						L			
X	X	X	L	X						L			
X	L	X	X	L						H			
H	X	L	X	L						H			
X	X	X	X	X	H	H					L		
X	X	X	H	X	H	X					L		
X	H	H	H	X	H	X					L		
L	H	X	H	X	H	X					L		
X	X	X	X	X	L	X					H		
X	X	X	L	X	X	L					H		
X	L	X	X	L	X	L					H		
H	X	L	X	L	X	L					H		
X		X	X	X	X	H	H				H		
X		X	X	H	H	X	X				H		
X		H	H	X	H	X	H				H		
X		X	X	X	X	L	X				L		
X		X	X	X	L	X	X				L		
X		L	X	X	L	X	L				L		
L		X	L	X	L	X	L				L		
	H		X	X	X	X	X				H		
	X		H	X	X	X	X				H		
	X		X	X	H	X	X				H		
	X		X	X	X	X	H				H		
	L		L	L	L	L	L				L		

H = HIGH Voltage Level
L = LOW Voltage Level
X = Immaterial

Logic Diagram



TL/F/9492-4

Please note that this diagram is provided only for the understanding of logic operations and should not be used to estimate propagation delays.

Absolute Maximum Ratings (Note 1)

If Military/Aerospace specified devices are required, please contact the National Semiconductor Sales Office/Distributors for availability and specifications.

Storage Temperature	–65°C to +150°C
Ambient Temperature under Bias	–55°C to +125°C
Junction Temperature under Bias	–55°C to +175°C
Plastic	–55°C to +150°C

V_{CC} Pin Potential to Ground Pin –0.5V to +7.0V

Input Voltage (Note 2) –0.5V to +7.0V

Input Current (Note 2) –30 mA to +5.0 mA

Voltage Applied to Output in HIGH State (with V_{CC} = 0V)

Standard Output	–0.5V to V _{CC}
TRI-STATE® Output	–0.5V to +5.5V

Current Applied to Output in LOW State (Max) twice the rated I_{OL} (mA)

ESD Last Passing Voltage (Min) 4000V

Note 1: Absolute maximum ratings are values beyond which the device may be damaged or have its useful life impaired. Functional operation under these conditions is not implied.

Note 2: Either voltage limit or current limit is sufficient to protect inputs.

Recommended Operating Conditions

Free Air Ambient Temperature	
Military	–55°C to +125°C
Commercial	0°C to +70°C
Supply Voltage	
Military	+4.5V to +5.5V
Commercial	+4.5V to +5.5V

DC Electrical Characteristics

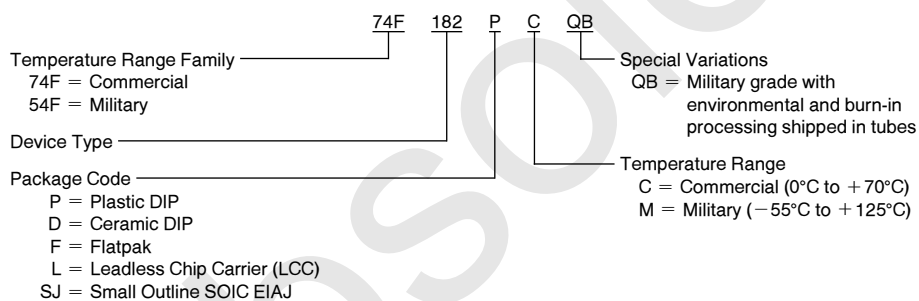
Symbol	Parameter	54F/74F			Units	V _{CC}	Conditions
		Min	Typ	Max			
V _{IH}	Input HIGH Voltage	2.0			V		Recognized as a HIGH Signal
V _{IL}	Input LOW Voltage				V		Recognized as a LOW Signal
V _{CD}	Input Clamp Diode Voltage				V	Min	I _{IN} = –18 mA
V _{OH}	Output HIGH Voltage	54F 10% V _{CC}	2.5		V	Min	I _{OH} = –1 mA I _{OH} = –1 mA I _{OH} = –1 mA
		74F 10% V _{CC}	2.5				
		74F 5% V _{CC}	2.7				
V _{OL}	Output LOW Voltage	54F 10% V _{CC}		0.5	V	Min	I _{OL} = 20 mA I _{OL} = 20 mA
		74F 10% V _{CC}		0.5			
I _{IH}	Input HIGH Current	54F		20.0	μA	Max	V _{IN} = 2.7V
		74F		5.0			
I _{BVI}	Input HIGH Current Breakdown Test	54F		100	μA	Max	V _{IN} = 7.0V
		74F		7.0			
I _{CEX}	Output HIGH Leakage Current	54F		250	μA	Max	V _{OUT} = V _{CC}
		74F		50			
V _{ID}	Input Leakage Test	74F	4.75		V	0.0	I _{ID} = 1.9 μA All Other Pins Grounded
I _{OD}	Output Leakage Circuit Current	74F		3.75	μA	0.0	V _{IOD} = 150 mV All Other Pins Grounded
I _{IL}	Input LOW Current			–1.2 –2.4 –3.6 –4.8 –8.4 –9.6	mA	Max	V _{IN} = 0.5V (C _n) V _{IN} = 0.5V (\bar{P}_3) V _{IN} = 0.5V (\bar{P}_2) V _{IN} = 0.5V ($\bar{G}_3, \bar{P}_0, \bar{P}_1$) V _{IN} = 0.5V (\bar{G}_0, \bar{G}_2) V _{IN} = 0.5V (\bar{G}_1)
I _{OS}	Output Short-Circuit Current		–60	–150	mA	Max	V _{OUT} = 0V
I _{CCH}	Power Supply Current		18.4	28.0	mA	Max	V _O = HIGH
I _{CCL}	Power Supply Current		23.5	36.0	mA	Max	V _O = LOW

AC Electrical Characteristics

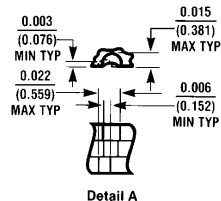
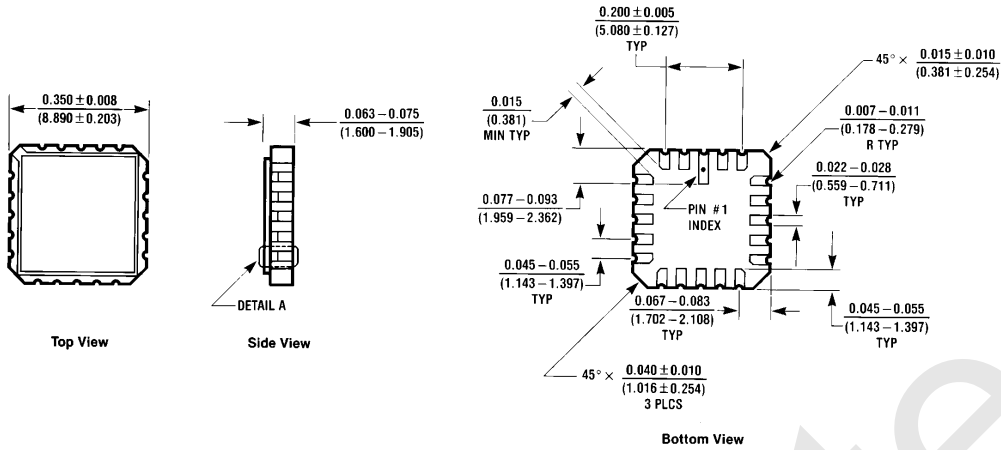
Symbol	Parameter	74F			54F		74F		Units
		$T_A = +25^\circ\text{C}$ $V_{CC} = +5.0\text{V}$ $C_L = 50\text{pF}$			$T_A, V_{CC} = \text{Mil}$ $C_L = 50\text{pF}$		$T_A, V_{CC} = \text{Com}$ $C_L = 50\text{pF}$		
		Min	Typ	Max	Min	Max	Min	Max	
t_{PLH} t_{PHL}	Propagation Delay C_n to $C_{n+x}, C_{n+y}, C_{n+z}$	3.0 3.0	6.6 6.8	8.5 9.0	3.0 3.0	12.0 11.0	3.0 3.0	9.5 10.0	ns
t_{PLH} t_{PHL}	Propagation Delay $\bar{P}_0, \bar{P}_1, \text{ or } \bar{P}_2$ to $C_{n+x}, C_{n+y}, \text{ or } C_{n+z}$	2.5 1.5	6.2 3.7	8.0 5.0	2.5 1.0	11.0 7.0	2.5 1.5	9.0 6.0	ns
t_{PLH} t_{PHL}	Propagation Delay $\bar{G}_0, \bar{G}_1, \text{ or } \bar{G}_2$ to $C_{n+x}, C_{n+y}, \text{ or } C_{n+z}$	2.5 1.5	6.5 3.9	8.5 5.2	2.5 1.0	11.0 7.0	2.5 1.5	9.5 6.0	ns
t_{PLH} t_{PHL}	Propagation Delay $\bar{P}_1, \bar{P}_2, \text{ or } \bar{P}_3$ to \bar{G}	3.0 3.0	7.9 6.0	10.0 8.0	3.0 2.5	12.0 10.0	3.0 3.0	11.0 9.0	ns
t_{PLH} t_{PHL}	Propagation Delay \bar{G}_n to \bar{G}	3.0 3.0	8.3 5.7	10.5 7.5	3.0 2.5	12.0 10.0	3.0 3.0	11.5 8.5	ns
t_{PLH} t_{PHL}	Propagation Delay \bar{P}_n to \bar{P}	3.0 2.5	5.7 4.1	7.5 5.5	2.5 2.5	10.0 8.0	3.0 2.5	8.5 6.5	ns

Ordering Information

The device number is used to form part of a simplified purchasing code where the package type and temperature range are defined as follows:

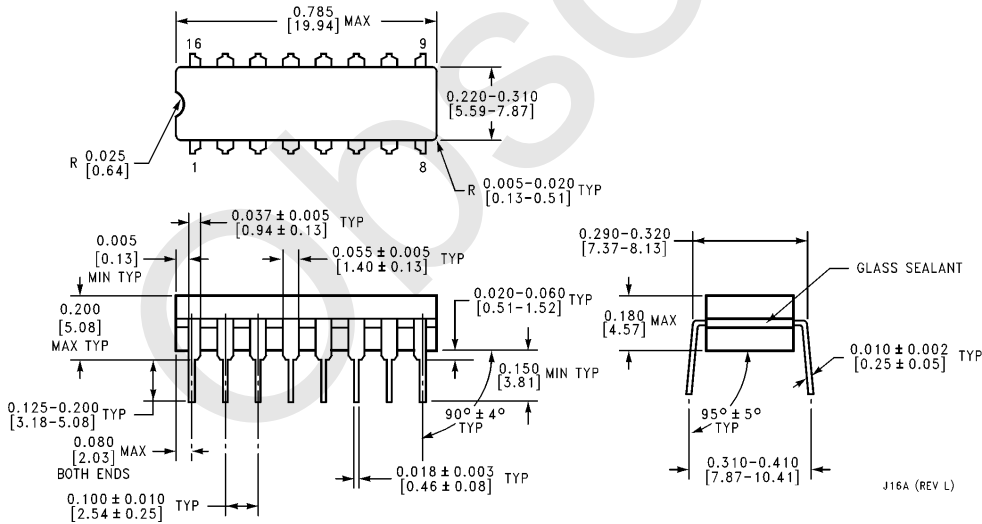


Physical Dimensions inches (millimeters)



20-Lead Ceramic Leadless Chip Carrier (L)
 NS Package Number E20A

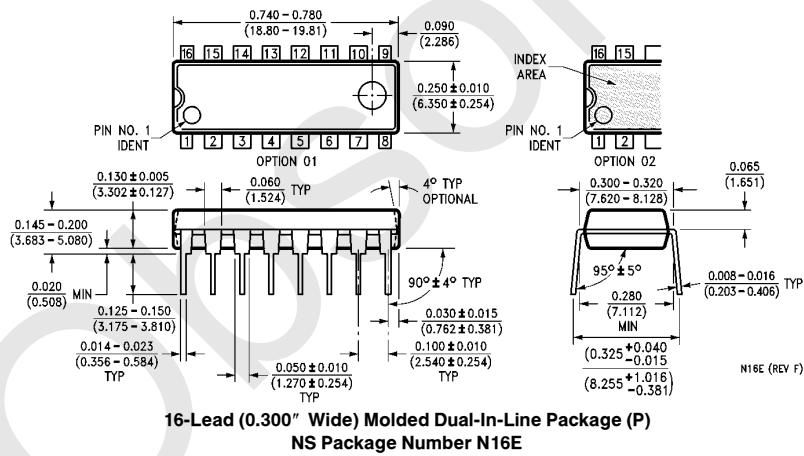
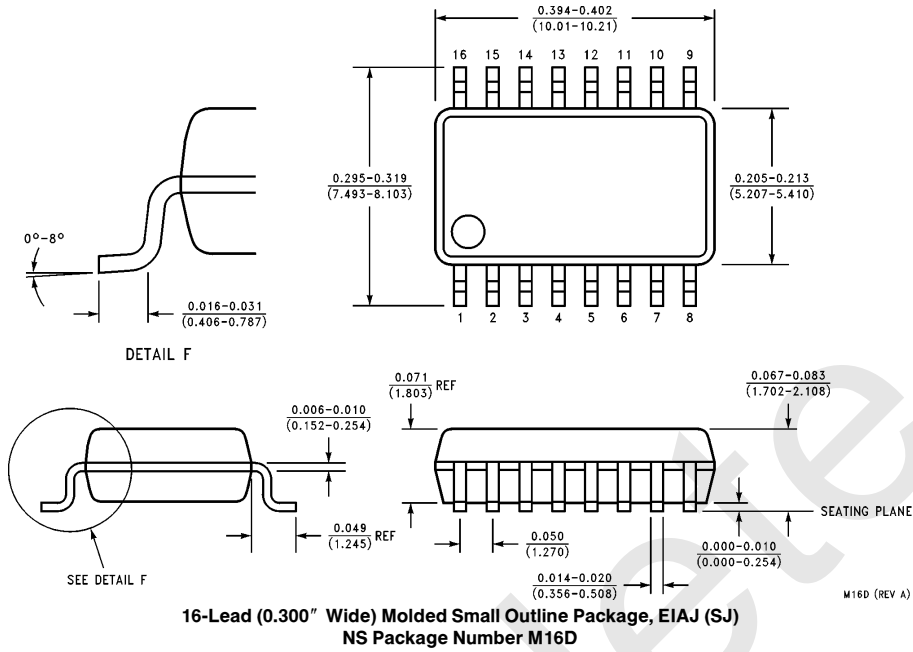
E20A (REV D)



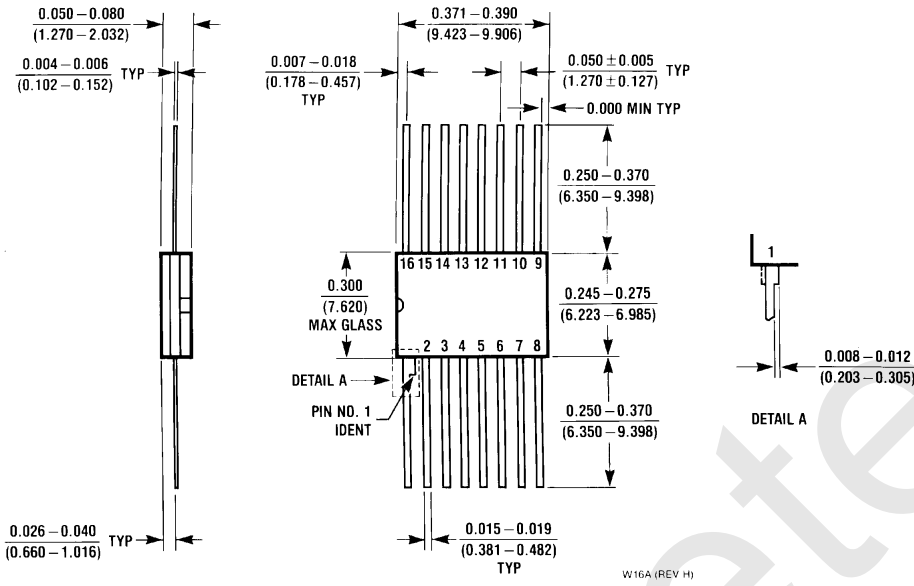
16-Lead Ceramic Dual-In-Line Package (D)
 NS Package Number J16A

J16A (REV L)

Physical Dimensions inches (millimeters) (Continued)




Physical Dimensions inches (millimeters) (Continued)



LIFE SUPPORT POLICY

NATIONAL'S PRODUCTS ARE NOT AUTHORIZED FOR USE AS CRITICAL COMPONENTS IN LIFE SUPPORT DEVICES OR SYSTEMS WITHOUT THE EXPRESS WRITTEN APPROVAL OF THE PRESIDENT OF NATIONAL SEMICONDUCTOR CORPORATION. As used herein:

1. Life support devices or systems are devices or systems which, (a) are intended for surgical implant into the body, or (b) support or sustain life, and whose failure to perform, when properly used in accordance with instructions for use provided in the labeling, can be reasonably expected to result in a significant injury to the user.
2. A critical component is any component of a life support device or system whose failure to perform can be reasonably expected to cause the failure of the life support device or system, or to affect its safety or effectiveness.

 <p>National Semiconductor Corporation 1111 West Bardin Road Arlington, TX 76017 Tel: 1(800) 272-9959 Fax: 1(800) 737-7018</p>	<p>National Semiconductor Europe Fax: (+49) 0-180-530 85 86 Email: onjwge@tevm2.nsc.com Deutsch Tel: (+49) 0-180-530 85 85 English Tel: (+49) 0-180-532 78 32 Français Tel: (+49) 0-180-532 93 58 Italiano Tel: (+49) 0-180-534 16 80</p>	<p>National Semiconductor Hong Kong Ltd. 13th Floor, Straight Block, Ocean Centre, 5 Canton Rd. Tsimshatsui, Kowloon Hong Kong Tel: (852) 2737-1600 Fax: (852) 2736-9960</p>	<p>National Semiconductor Japan Ltd. Tel: 81-043-299-2309 Fax: 81-043-299-2408</p>
--	--	---	---

National does not assume any responsibility for use of any circuitry described, no circuit patent licenses are implied and National reserves the right at any time without notice to change said circuitry and specifications.