

FEATURES

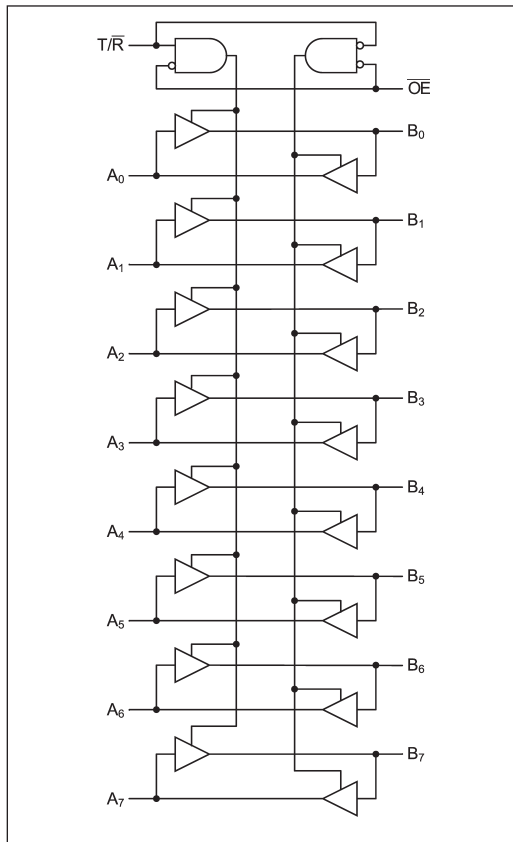
- Function, Pinout and Drive Compatible with the FCT and F Logic
- FCT-A speed at 4.9ns max (MIL)
- Output levels compatible with TTL and CMOS
- Edge-rate control circuitry for significantly improved noise characteristics
- ESD protection exceeds 2000V
- Power-off disable feature
- Matched rise and fall times
- Fully compatible with TTL input and output logic levels
- 48 mA sink current, 12 mA source current (MIL)

DESCRIPTION

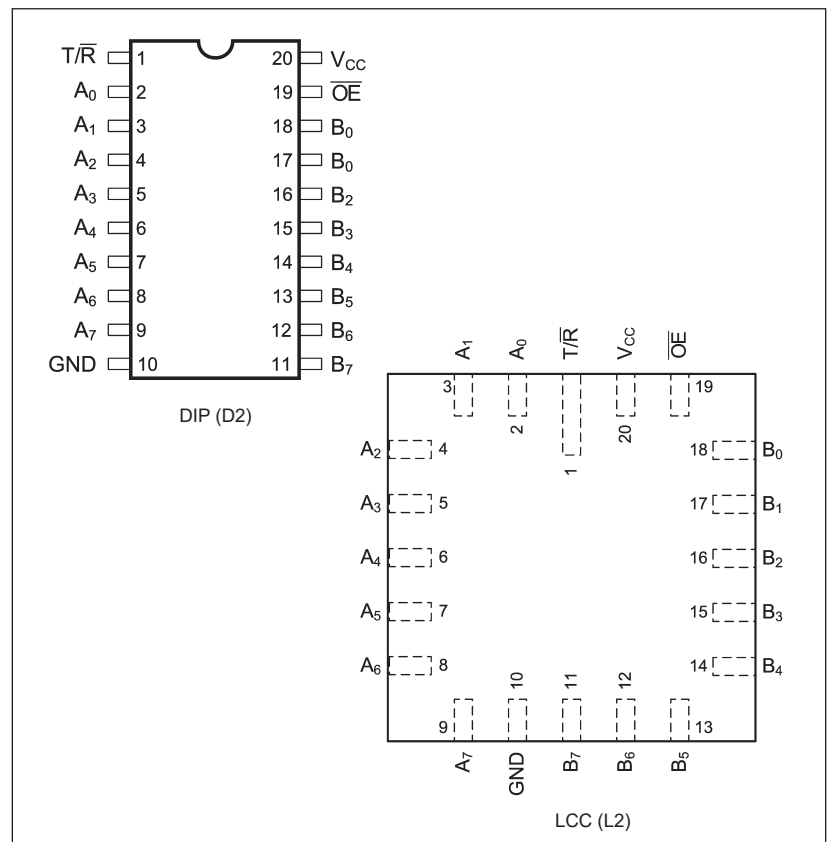
The P54/74FCT245 contains eight non-inverting bidirectional buffers with 3-state outputs and is intended for bus oriented applications. The transmit/receive (T/\bar{R}) input determines the direction of data flow through the bidirectional transceiver. Transmit (active HIGH) enables data

from A ports to B ports, and receive (active LOW) from B ports to A ports. The output enable (\overline{OE}) input, when HIGH, disables both A and B ports by placing them in a High-Z condition.

FUNCTIONAL BLOCK DIAGRAM



PIN CONFIGURATIONS



**MAXIMUM RATINGS**^(1,2)

Sym	Parameter	Value	Unit
T _{STG}	Storage Temperature	-65 to +150	°C
T _A	Ambient Temperature Under Bias	-65 to +135	°C
V _{CC}	V _{CC} Potential to Ground	-0.5 to +7.0	V
P _T	Power Dissipation	0.5	W
I _{OUTPUT}	Current Applied to Output	120	mA
V _{IN}	Input Voltage	-0.5 to +7.0	V
V _{OUT}	Voltage Applied to Output	-0.5 to +7.0	V

RECOMMENDED OPERATING CONDITIONS

Grade	Ambient Temp	GND	V _{CC}
Military	-55°C to +125°C	0V	5.0V ± 10%
Industrial	-40°C to +85°C	0V	5.0V ± 5%

CAPACITANCES(V_{CC} = 5.0V, T_A = 25°C, f = 1.0MHz)

Sym	Parameter	Conditions	Typ	Unit
C _{IN}	Input Capacitance	V _{IN} = 0V	6	pF
C _{I/O}	I/O Capacitance	V _{OUT} = 0V	8	pF

DC ELECTRICAL CHARACTERISTICS

(Over Recommended Operating Temperature & Supply Voltage)

Sym	Parameter	Test Conditions	Min	Max	Unit
V _{OH}	High Level Output Voltage	V _{CC} = V _{CC} (Min) V _{IH} = 2.0 V, V _{IL} = 0.8 V	I _{OH} = -300 μA	4.3	V
			I _{OH} = -12 mA	2.4	
V _{OL}	Low Level Output Voltage (Port A and Port B)	V _{CC} = V _{CC} (Min) V _{IH} = 2.0 V, V _{IL} = 0.8 V	I _{OL} = 300 μA	0.2	V
				I _{OL} = 48 mA	
V _{IK}	Input Clamp Voltage	V _{CC} = V _{CC} (Min), I _{IN} = -18mA		-1.2	V
I _{IH1}	High Level Input Current	V _{CC} = V _{CC} (Max), V _{IN} = V _{CC}		5.0	μA
I _{IH2}	High Level Input Current for Common I/O Pins	V _{CC} = V _{CC} (Max), V _{IN} = V _{CC}		20	μA
I _{IL1}	Low Level Input Current	V _{CC} = V _{CC} (Max), V _{IN} = GND		-5.0	μA
I _{IL2}	Low Level Input Current for Common I/O Pins	V _{CC} = V _{CC} (Max), V _{IN} = GND		-20	μA
I _{OZH}	High Impedance Output Current	V _{CC} = V _{CC} (Max), V _{IN} = V _{CC}		5	μA
			V _{CC} = V _{CC} (Max), V _{IN} = GND		
I _{OS}	Short Circuit Output Current	V _{CC} = V _{CC} (Max)	-60		mA
I _{CCQ}	Quiescent Power Supply Current (CMOS inputs)	V _{IN} ≤ 0.2 V or V _{IN} ≥ V _{CC} - 0.2 V V _{CC} = V _{CC} (Max) f _i = 0 MHz		1.5	mA
ΔI _{CC}	Quiescent Power Supply Current (TTL inputs)	V _{CC} = V _{CC} (Max) V _{IN} = 3.4 V		2.0	mA
I _{CCD}	Dynamic Power Supply Current	V _{CC} = V _{CC} (Max) Outputs open One bit toggling 50% duty cycle V _{IN} ≥ V _{CC} - 0.2 V or V _{IN} ≤ 0.2 V OE = GND, T/R = V _{CC}		0.4	mA/ MHz

Notes:

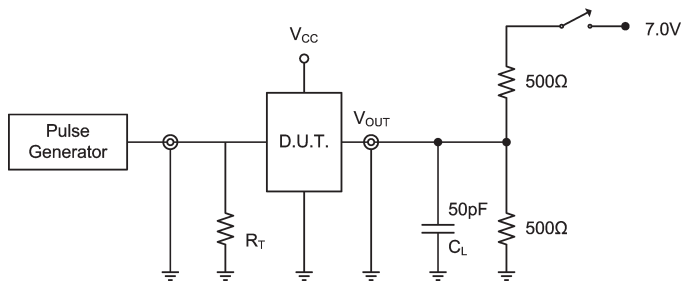
- Operation beyond the limits set forth in the above table may impair the useful life of the device. Unless otherwise noted, these limits are over the operating free-air temperature range.
- Unused inputs must always be connected to an appropriate logic voltage level, preferably either V_{CC} or ground.
- Per TTL driven input (V_{IN}=3.4V); all other inputs at V_{CC} or GND.

Sym	Parameter	Test Conditions	Min	Max	Unit	
I _{CCT}	Total Power Supply Current	V _{CC} = V _{CC} (Max) Outputs open, OE = T/R = GND 50% duty cycle	f _i = 10 MHz One bit toggling	V _{IN} ≥ 5.3 V or V _{IN} ≤ 0.2 V	5.5	mA
				V _{IN} = 3.4 V or V _{IN} = GND	6.0	mA
			f _i = 2.5 MHz Eight bits toggling	V _{IN} ≥ 5.3 V or V _{IN} ≤ 0.2 V	6.5	mA
				V _{IN} = 3.4 V or V _{IN} = GND	14.5	mA
C _{IN}	Input Capacitance	T _C = +25°C, V _{CC} = GND, F = 1 MHz		10	pF	
C _{I/O}	Output Capacitance	T _C = +25°C, V _{CC} = GND, F = 1 MHz		12	pF	

AC CHARACTERISTICS

(Over Recommended Operating Temperature & Supply Voltage)

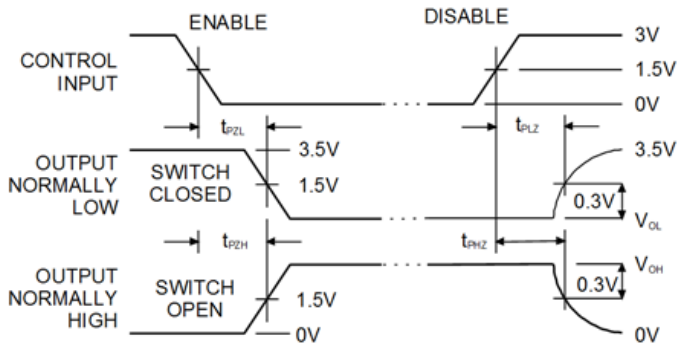
Sym	Parameter	Condition	54/74FCT245				54/74FCT245A				Unit
			Ind		Mil		Ind		Mil		
			Min	Max	Min	Max	Min	Max	Min	Max	
t _{PLH} t _{PHL}	Propagation Delay A to B, B to A	C _L = 50pF R _L = 500Ω	1.5	7.0	1.5	7.5	1.5	4.6	1.5	4.9	ns
t _{PZH} t _{PZL}	Output Enable Time OE to A or B		1.5	9.5	1.5	10.0	1.5	6.2	1.5	6.5	ns
t _{PHZ} t _{PLZ}	Output Disable Time OE to A or B		1.5	7.5	1.5	10.0	1.5	5.0	1.5	6.0	ns
t _{PZH} t _{PZL}	Output Enable Time T/R to A or B		1.5	9.5	1.5	10.0	1.5	6.2	1.5	6.5	ns
t _{PHZ} t _{PLZ}	Output Disable Time T/R to A or B		1.5	7.5	1.5	10.0	1.5	5.0	1.5	6.0	ns



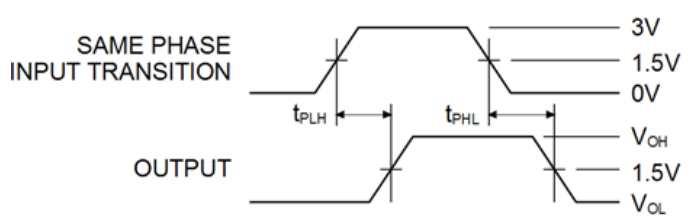
Test	Switch
Open Drain Disable Low Enable Low	Closed
All Other Tests	Open



ENABLE/DISABLE TIMES



PROPAGATION DELAY



PIN DESCRIPTION

Pin Names	Description
\overline{OE}	Output Enable Input (Active LOW)
T/\overline{R}	Transmit/Receive Input
A_0-A_7	Side A Inputs or 3-State Outputs
B_0-B_7	Side B Inputs or 3-State Outputs

FUNCTION TABLE

Inputs		Outputs
\overline{OE}	T/\overline{R}	
L	L	Bus B Data to Bus A
L	H	Bus A Data to Bus B
H	X	High Z State

H = High Voltage Level
 X = Don't Care
 L = Low Voltage Level
 Z = High Impedance

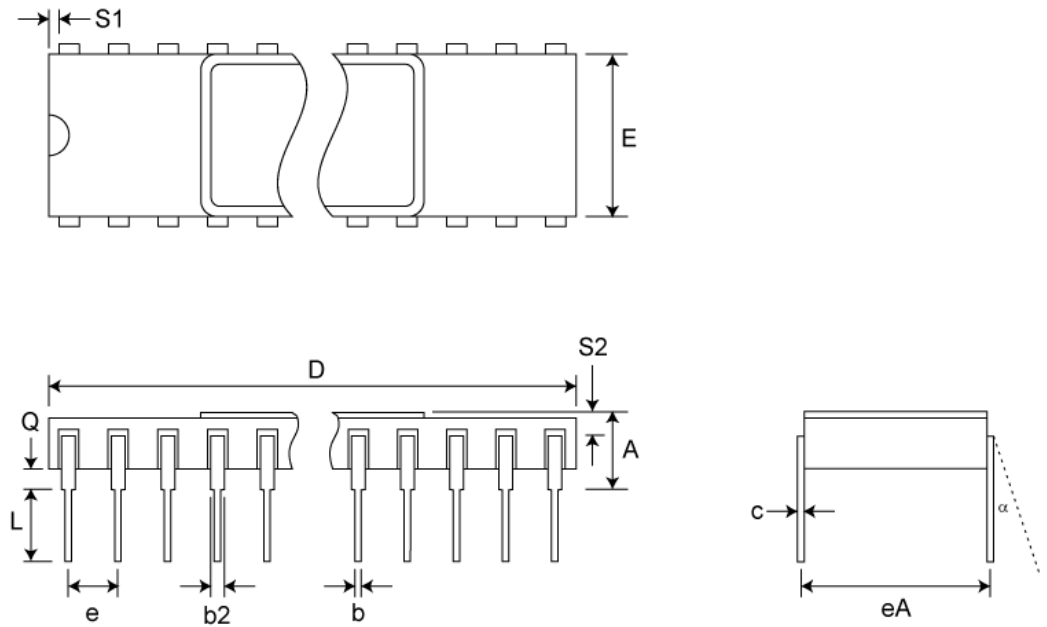
ORDERING INFORMATION

PxxFCT	xx	x	x	
Temp. Class	Device Type	Package	Processing	
			I	-40°C to +85°C
			M	-55°C to +125°C
			MB	Mil Temp with MIL-STD-883 Class B Compliance
			C	Ceramic side brazed DIP, 300 mil
			L	Square LCC (350x350 mil)
			245	Octal Buffer/Line Driver
			245A	Fast Octal Buffer/Line Driver
			74	Industrial
			54	Military



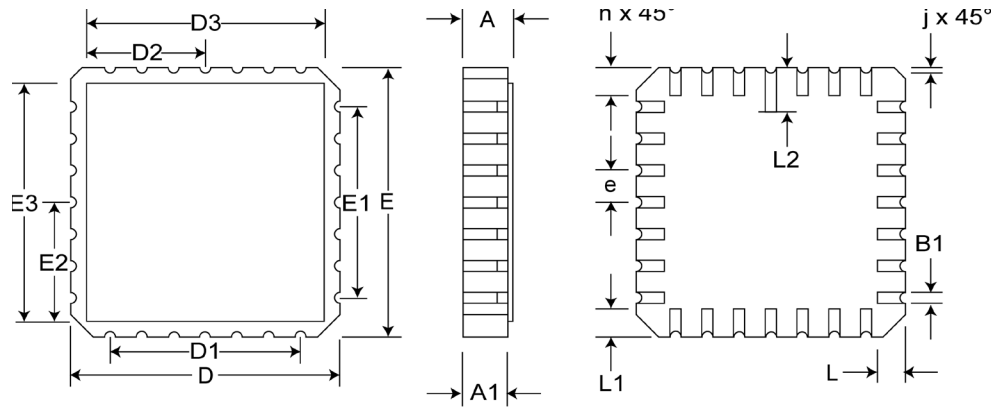
SIDEBRAZED DUAL INLINE PACKAGE

Pkg #	D2	
# Pins	20 (300 mil)	
Symbol	Min	Max
A	-	0.200
b	0.014	0.026
b2	0.045	0.065
c	0.008	0.018
D	-	1.060
E	0.220	0.310
eA	0.300 BSC	
e	0.100 BSC	
L	0.125	0.200
Q	0.015	0.070
S1	0.005	-
S2	0.005	-
α	0°	15°



SQUARE LEADLESS CHIP CARRIER

Pkg #	L2	
# Pins	20	
Symbol	Min	Max
A	0.060	0.075
A1	0.050	0.065
B1	0.022	0.028
D/E	0.342	0.358
D1/E1	0.200 BSC	
D2/E2	0.100 BSC	
D3/E3	-	0.358
e	0.050 BSC	
h	0.040 REF	
j	0.020 REF	
L	0.045	0.055
L1	0.045	0.055
L2	0.075	0.095
ND	5	
NE	5	



**REVISIONS**

DOCUMENT NUMBER	LOGIC109
DOCUMENT TITLE	P54FCT245 - FAST CMOS OCTAL BIDIRECTIONAL TRANSCEIVERS WITH 3-STATE OUTPUTS

REV	ISSUE DATE	ORIGINATOR	DESCRIPTION OF CHANGE
OR	Mar 2016	JDB	New Data Sheet
01	Mar 2016	JDB	Title Change