

## 54FCT374

### Octal D-Type Flip-Flop with TRI-STATE® Outputs

#### General Description

The 54FCT374 is an octal D-type flip-flop featuring separate D-type inputs for each flip-flop and TRI-STATE outputs for bus-oriented applications. A buffered Clock (CP) and Output Enable ( $\overline{OE}$ ) are common to all flip-flops.

#### Features

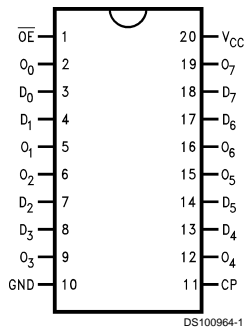
- Edge-triggered D-type inputs
- Buffered positive edge-triggered clock
- TRI-STATE outputs for bus-oriented applications
- TTL input and output level compatible
- Low CMOS power consumption
- Output sink capability of 32 mA, source capability of 12 mA
- Standard Microcircuit Drawing (SMD) 5962-9314901

#### Ordering Code

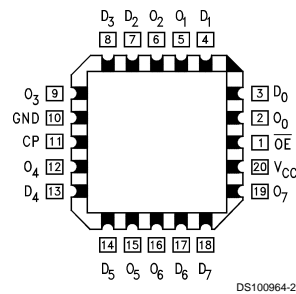
Military	Package Number	Package Description
54FCT374DMQB	J20A	20-Lead Ceramic Dual-In-Line
54FCT374FMQB	W20A	20-Lead Cerpack
54FCT374LMQB	E20A	20-Lead Ceramic Leadless Chip Carrier, Type C

#### Connection Diagrams

Pin Assignment for DIP and Flatpak



Pin Assignment for LCC



TRI-STATE® is a registered trademark of National Semiconductor Corporation.

## Pin Descriptions

Pin Names	Description
D <sub>0</sub> –D <sub>7</sub>	Data Inputs
CP	Clock Pulse Input (Active Rising Edge)
$\overline{OE}$	TRI-STATE Output Enable Input (Active LOW)
O <sub>0</sub> –O <sub>7</sub>	TRI-STATE Outputs

## Functional Description

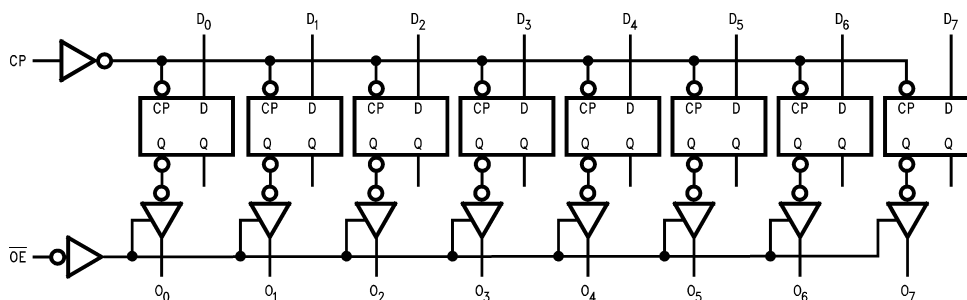
The 'FCT374 consists of eight edge-triggered flip-flops with individual D-type inputs and TRI-STATE true outputs. The buffered clock and buffered Output Enable are common to all flip-flops. The eight flip-flops will store the state of their individual D inputs that meet the setup and hold time requirements on the LOW-to-HIGH Clock (CP) transition. With the Output Enable ( $\overline{OE}$ ) LOW, the contents of the eight flip-flops are available at the outputs. When  $\overline{OE}$  is HIGH, the outputs are in a high impedance state. Operation of the  $\overline{OE}$  input does not affect the state of the flip-flops.

## Function Table

Inputs			Internal	Outputs	Function
$\overline{OE}$	CP	D	Q	O	
H	H	L	NC	Z	Hold
H	H	H	NC	Z	Hold
H	N	L	L	Z	Load
H	N	H	H	Z	Load
L	N	L	L	L	Data Available
L	N	H	H	H	Data Available
L	H	L	NC	NC	No Change in Data
L	H	H	NC	NC	No Change in Data

H = HIGH Voltage Level  
 L = LOW Voltage Level  
 X = Immaterial  
 Z = High Impedance  
 N = LOW-to-HIGH Transition  
 NC = No Change

## Logic Diagram



DS100964-3

Please note that this diagram is provided only for the understanding of logic operations and should not be used to estimate propagation delays.

**Absolute Maximum Ratings** (Note 1)

If Military/Aerospace specified devices are required, please contact the National Semiconductor Sales Office/ Distributors for availability and specifications.

Storage Temperature	-65°C to +150°C
Ambient Temperature under Bias	-55°C to +125°C
Junction Temperature under Bias Ceramic	-55°C to +175°C
V <sub>CC</sub> Pin Potential to Ground Pin	-0.5V to +7.0V
Input Voltage	-0.5V to +7.0V
Input Current	-30 mA to +5.0 mA
Voltage Applied to Any Output in the Disabled or	

Power-Off State	-0.5V to +5.5V
in the HIGH State	-0.5V to V <sub>CC</sub>
Current Applied to Output in LOW State (Max)	twice the rated I <sub>OL</sub> (mA)

**Recommended Operating Conditions**

Free Air Ambient Temperature Military	-55°C to +125°C
Supply Voltage Military	+4.5V to +5.5V

**Note 1:** Absolute maximum ratings are values beyond which the device may be damaged or have its useful life impaired. Functional operation under these conditions is not implied.

**DC Electrical Characteristics**

Symbol	Parameter	FCT374		Units	V <sub>CC</sub>	Conditions
		Min	Max			
V <sub>IH</sub>	Input HIGH Voltage	2.0		V		Recognized HIGH Signal
V <sub>IL</sub>	Input LOW Voltage		0.8	V		Recognized LOW Signal
V <sub>CD</sub>	Input Clamp Diode Voltage		-1.2	V	Min	I <sub>IN</sub> = -18 mA
V <sub>OH</sub>	Output HIGH Voltage	54FCT	4.3	V	Min	I <sub>OH</sub> = -300 μA
		54FCT	2.4	V	Min	I <sub>OH</sub> = -12 mA
V <sub>OL</sub>	Output LOW Voltage	54FCT	0.2	V	Min	I <sub>OL</sub> = 300 μA
		54FCT	0.5	V	Min	I <sub>OL</sub> = 32mA
I <sub>IH</sub>	Input HIGH Current		5	μA	Max	V <sub>IN</sub> = 2.7V (Note 3)
			5			V <sub>IN</sub> = V <sub>CC</sub>
I <sub>IL</sub>	Input LOW Current		-5	μA	Max	V <sub>IN</sub> = 0.5V (Note 3)
			-5			V <sub>IN</sub> = 0.0V
I <sub>OZH</sub>	Output Leakage Current		10	μA	0 - 5.5V	V <sub>OUT</sub> = 2.7V; $\overline{OE}$ = 2.0V
I <sub>OZL</sub>	Output Leakage Current		-10	μA	0 - 5.5V	V <sub>OUT</sub> = 0.5V; $\overline{OE}$ = 2.0V
I <sub>OS</sub>	Output Short-Circuit Current		-60	mA	Max	V <sub>OUT</sub> = 0.0V
I <sub>CCQ</sub>	Power Supply Current		1.5	mA	Max	V <sub>IN</sub> = 0.2V or V <sub>IN</sub> = 5.3V, f <sub>I</sub> = 0MHz
ΔI <sub>CC</sub>	Power Supply Current		2.0	mA	Max	V <sub>IN</sub> = 3.4V
I <sub>CCT</sub>	Additional I <sub>CC</sub> /Input		6.0	mA	Max	V <sub>I</sub> = V <sub>CC</sub> - 2.1V or V <sub>IN</sub> = GND, f <sub>CP</sub> = 10MHz, Outputs open, $\overline{OE}$ = GND, one bit toggling at f <sub>I</sub> = 5MHz, 50% duty cycle
			5.5	mA	Max	V <sub>I</sub> = 5.3V or V <sub>CC</sub> = 0.2V, f <sub>CP</sub> = 10MHz, Outputs open, $\overline{OE}$ = GND, one bit toggling at f <sub>I</sub> = 5MHz, 50% duty cycle
I <sub>CCD</sub>	Dynamic I <sub>CC</sub> No Load		0.4	mA/ MHz	Max	Outputs Open, $\overline{OE}$ = GND, One bit toggling, 50% duty cycle, V <sub>IN</sub> = 5.3V or V <sub>IN</sub> = 0.2V

**Note 2:** For 8-bit toggling, I<sub>CCD</sub> < 0.8 mA/MHz.

**Note 3:** Guaranteed, but not tested.

AC Electrical Characteristics				
Symbol	Parameter	54FCT		Units
		$T_A = -55^\circ\text{C to }+125^\circ\text{C}$ $V_{CC} = 4.5\text{V to }5.5\text{V}$ $C_L = 50\text{ pF}$		
		Min	Max	
$t_{PLH}$	Propagation Delay	2.0	11.0	ns
$t_{PHL}$	CP to $O_n$	2.0	11.0	
$t_{PZH}$	Output Enable Time	1.5	14.0	ns
$t_{PZL}$		1.5	14.0	
$t_{PHZ}$	Output Disable Time	1.5	8.0	ns
$t_{PLZ}$		1.5	8.0	

AC Operating Requirements				
Symbol	Parameter	54FCT		Units
		$T_A = -55^\circ\text{C to }+125^\circ\text{C}$ $V_{CC} = 4.5\text{V to }5.5\text{V}$ $C_L = 50\text{ pF}$		
		Min	Max	
$t_s(H)$	Setup Time, HIGH	2.5		ns
$t_s(L)$	or LOW $D_n$ to CP	2.5		
$t_h(H)$	Hold Time, HIGH	2.5		ns
$t_h(L)$	or LOW $D_n$ to CP	2.5		
$t_w(H)$	Pulse Width, CP	7.0		ns
$t_w(L)$	HIGH or LOW	7.0		

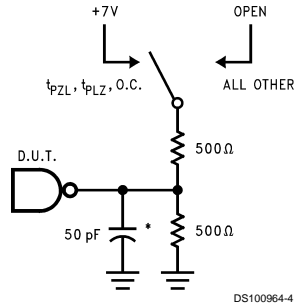
  

Capacitance				
Symbol	Parameter	Typ	Units	Conditions ( $T_A = 25^\circ\text{C}$ )
$C_{IN}$	Input Capacitance	5.0	pF	$V_{CC} = 0\text{V}$
$C_{OUT}$ (Note 4)	Output Capacitance	9.0	pF	$V_{CC} = 5.0\text{V}$

**Note 4:**  $C_{OUT}$  is measured at frequency  $f = 1\text{ MHz}$ , per MIL-STD-883B, Method 3012.

Capacitance (Continued)

AC Loading



\*Includes jig and probe capacitance

FIGURE 1. Standard AC Test Load

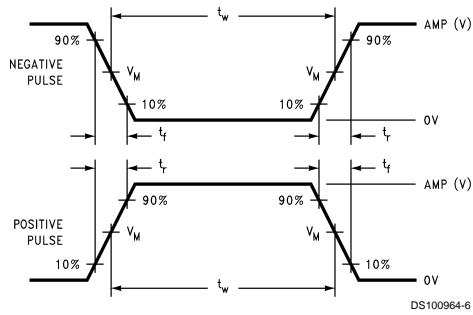


FIGURE 2.  $V_M = 1.5V$

Input Pulse Requirements

Amplitude	Rep. Rate	$t_w$	$t_r$	$t_f$
3.0V	1 MHz	500 ns	2.5 ns	2.5 ns

FIGURE 3. Test Input Signal Requirements

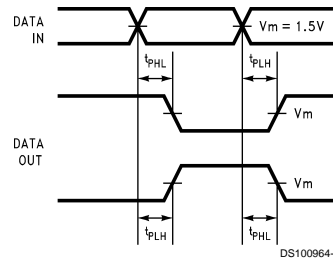


FIGURE 4. Propagation Delay Waveforms for Inverting and Non-Inverting Functions

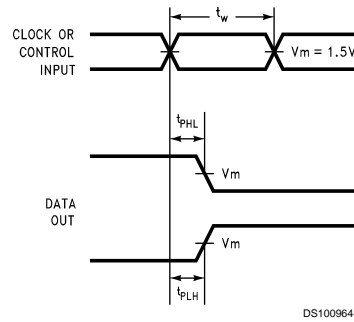


FIGURE 5. Propagation Delay, Pulse Width Waveforms

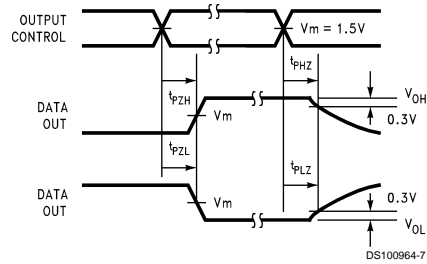


FIGURE 6. TRI-STATE Output HIGH and LOW Enable and Disable Times

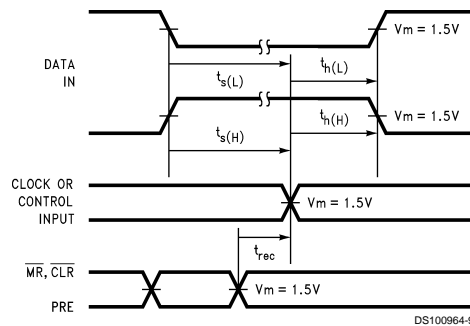
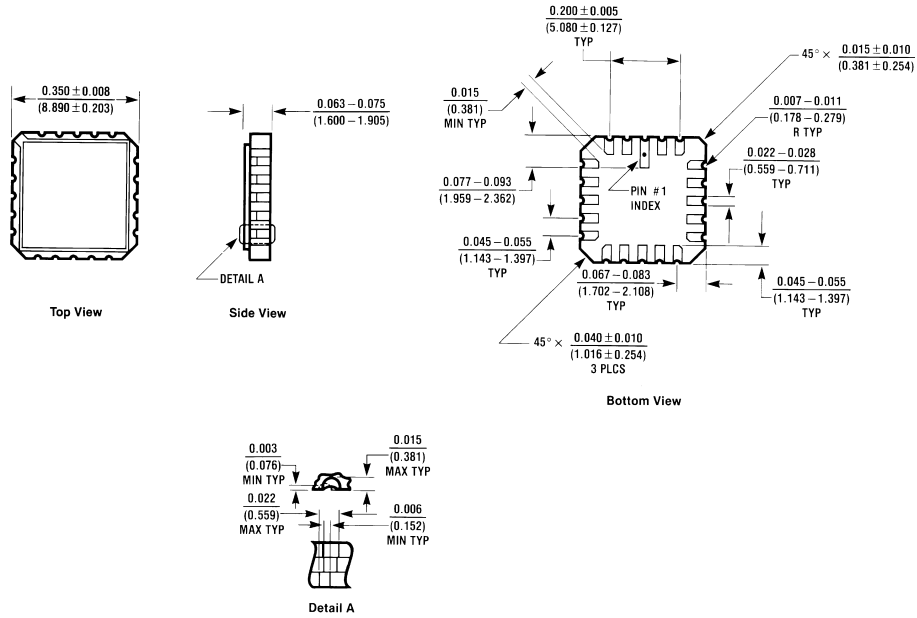


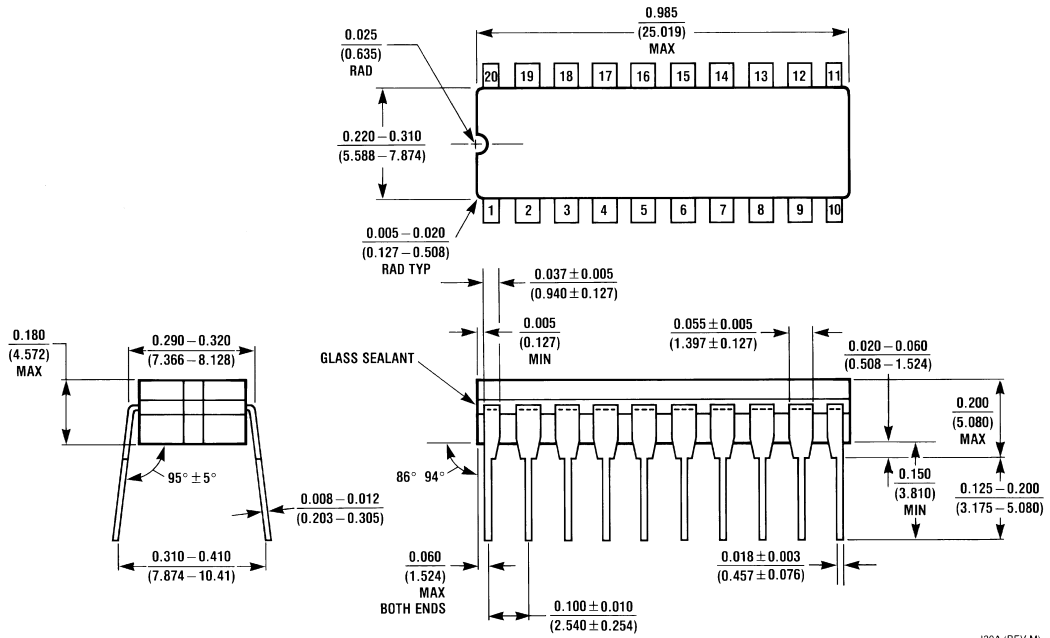
FIGURE 7. Setup Time, Hold Time and Recovery Time Waveforms

**Physical Dimensions** inches (millimeters) unless otherwise noted



**20-Terminal Ceramic Chip Carrier (L)**  
**NS Package Number E20A**

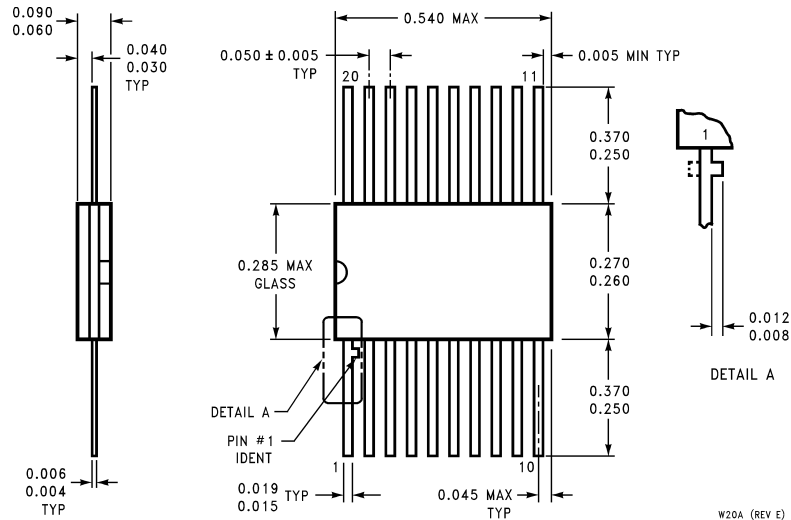
E20A (REV D)



**20-Lead Ceramic Dual-In-Line (D)**  
**NS Package Number J20A**

J20A (REV M)

**Physical Dimensions** inches (millimeters) unless otherwise noted (Continued)



**20-Lead Ceramic Flatpak (F)  
NS Package Number W20A**

**LIFE SUPPORT POLICY**

NATIONAL'S PRODUCTS ARE NOT AUTHORIZED FOR USE AS CRITICAL COMPONENTS IN LIFE SUPPORT DEVICES OR SYSTEMS WITHOUT THE EXPRESS WRITTEN APPROVAL OF THE PRESIDENT AND GENERAL COUNSEL OF NATIONAL SEMICONDUCTOR CORPORATION. As used herein:

1. Life support devices or systems are devices or systems which, (a) are intended for surgical implant into the body, or (b) support or sustain life, and whose failure to perform when properly used in accordance with instructions for use provided in the labeling, can be reasonably expected to result in a significant injury to the user.
2. A critical component is any component of a life support device or system whose failure to perform can be reasonably expected to cause the failure of the life support device or system, or to affect its safety or effectiveness.

**National Semiconductor Corporation**  
Americas  
Tel: 1-800-272-9959  
Fax: 1-800-737-7018  
Email: support@nsc.com  
www.national.com

**National Semiconductor Europe**  
Fax: +49 (0) 1 80-530 85 86  
Email: europe.support@nsc.com  
Deutsch Tel: +49 (0) 1 80-530 85 85  
English Tel: +49 (0) 1 80-532 78 32  
Français Tel: +49 (0) 1 80-532 93 58  
Italiano Tel: +49 (0) 1 80-534 16 80

**National Semiconductor Asia Pacific Customer Response Group**  
Tel: 65-2544466  
Fax: 65-2504466  
Email: sea.support@nsc.com

**National Semiconductor Japan Ltd.**  
Tel: 81-3-5639-7560  
Fax: 81-3-5639-7507