

This document was generated on 06/04/2010

PLEASE CHECK WWW.MOLEX.COM FOR LATEST PART INFORMATION

Part Number: [0039532284](#)
Status: **Active**
Overview:
Description: 1.25mm (.049") Pitch FFC/FPC Connector, Through-Hole, Right Angle, ZIF, Top Contact Style, 28 Circuits, Lead-free

Agency Certification

UL E29179

General

Product Family FFC/FPC Connectors
 Series 5597
 Overview ffc_fpc_throughhole
 Product Name N/A

Physical

Circuits (Loaded) 28
 Color - Resin Natural
 Contact Position Top
 Durability (mating cycles max) 30
 Entry Angle 90° Angle
 Flammability 94V-0
 Mated Height (in) 0.197 In
 Mated Height (mm) 5.00 mm
 Material - Metal Phosphor Bronze
 Material - Plating Mating Tin-Bismuth
 Material - Plating Termination Tin-Bismuth
 Material - Resin Polyester
 Number of Rows 1
 Orientation Right Angle
 PC Tail Length (in) 0.138 In
 PC Tail Length (mm) 3.50 mm
 PCB Locator No
 PCB Retention None
 Packaging Type Tray
 Pitch - Mating Interface (in) 0.049 In
 Pitch - Mating Interface (mm) 1.25 mm
 Plating min: Mating (µin) 40
 Plating min: Mating (µm) 1
 Plating min: Termination (µin) 40
 Plating min: Termination (µm) 1
 Polarized to PCB No
 Stackable No
 Surface Mount Compatible (SMC) No
 Temperature Range - Operating -20°C to +80°C
 Termination Interface: Style Through Hole
 Wire/Cable Type FFC/FPC

Electrical

Current - Maximum per Contact 1A
 Voltage - Maximum 200V

Material Info

Old Part Number 5597-28APB7F

Reference - Drawing Numbers

Packaging Specification SPK-5597-003

EU RoHS

ELV and RoHS Compliant

REACH SVHC

Not Reviewed

Halogen-Free

Status

Not Reviewed

China RoHS



Need more information on product environmental compliance?

Email productcompliance@molex.com
 For a multiple part number RoHS Certificate of Compliance, [click here](#)

Please visit the [Contact Us](#) section for any non-product compliance questions.

Search Parts in this Series

[5597Series](#)

Product Specification

Sales Drawing

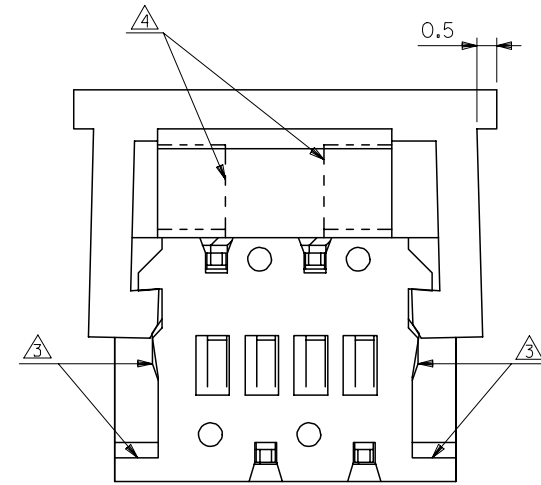
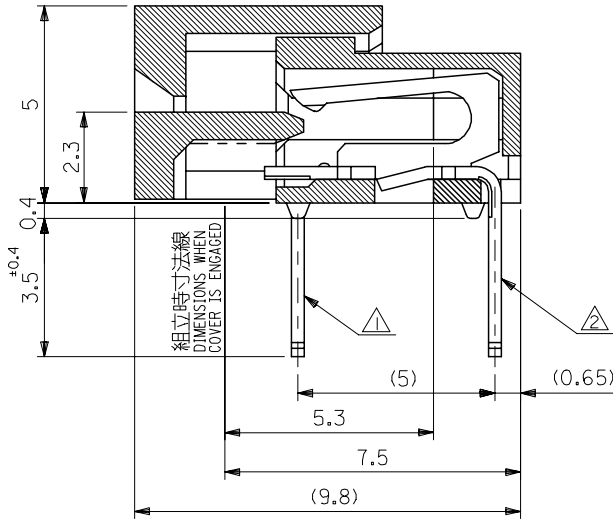
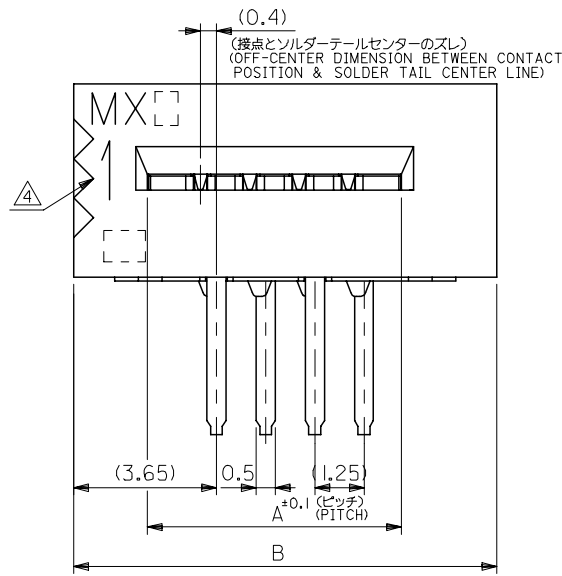
PS-5597-004, RPS-5597-005, RPS-5597-006,
RPS-5597-008, RPS-5597-013, RPS-5597-014,
RPS-5597-015
SD-5597-011

www.Datasheet.com

This document was generated on 06/04/2010

PLEASE CHECK WWW.MOLEX.COM FOR LATEST PART INFORMATION

www.Datasheet.com



注記 NOTES

- △ MX J側を基準に奇数番目の極におけるソルダーテール。SOLDER TAIL OF ODD CKTS, MXJ MARK AS BASIC.
- △ MX J側を基準に偶数番目の極におけるソルダーテール。SOLDER TAIL OF EVEN CKTS, MXJ MARK AS BASIC.
- △ 3極～10極に適用。APPLY FOR 3-10 CKTS.
- △ 3極～19極に適用。APPLY FOR 3-19 CKTS.
- 5. () 内寸法は、参考値。
() DIMENSION IS FOR REFERENCE.
- 6. ソルダーテールは、先端が取付推奨穴にガイドされること。
SOLDER TAILS MAY BE CHECKED BY INSERTION FOR RECOMMENDED PCB BOARD HOLES.
- 7. 本製品は5597-NAPBの鉛フリー品である。
THIS PRODUCT IS LEAD FREE OF 5597-NAPB.

48.25	43.95	39-53-2344	5597-34APB7F	34
47.00	42.70	-2334	-33APB7F	33
45.75	41.45	-2324	-32APB7F	32
44.50	40.20	-2314	-31APB7F	31
43.25	38.95	-2304	-30APB7F	30
42.00	37.70	-2294	-29APB7F	29
40.75	36.45	-2284	-28APB7F	28
39.50	35.20	-2274	-27APB7F	27
38.25	33.95	-2264	-26APB7F	26
37.00	32.70	-2254	-25APB7F	25
35.75	31.45	-2244	-24APB7F	24
34.50	30.20	-2234	-23APB7F	23
33.25	28.95	-2224	-22APB7F	22
32.00	27.70	-2214	-21APB7F	21
30.75	26.45	-2204	-20APB7F	20
29.50	25.20	-2194	-19APB7F	19
28.25	23.95	-2184	-18APB7F	18
27.00	22.70	-2174	-17APB7F	17
25.75	21.45	-2164	-16APB7F	16
24.50	20.20	-2154	-15APB7F	15
23.25	18.95	-2144	-14APB7F	14
22.00	17.70	-2134	-13APB7F	13
20.75	16.45	-2124	-12APB7F	12
19.50	15.20	-2114	-11APB7F	11
18.25	13.95	-2104	-10APB7F	10
17.00	12.70	-2094	-09APB7F	9
15.75	11.45	-2084	-08APB7F	8
14.50	10.20	-2074	-07APB7F	7
13.25	8.95	-2064	-06APB7F	6
12.00	7.70	-2054	-05APB7F	5
10.75	6.45	-2044	-04APB7F	4
9.50	5.20	39-53-2034	5597-03APB7F	3
B	A	EDP NO.	ENG NO.	極数 CKT.

www.DataSheet4U.com

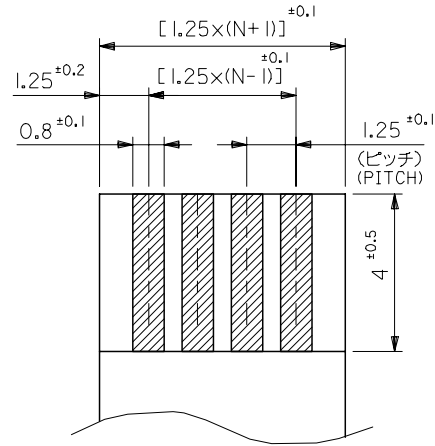
材料 MATERIAL	HOUSING, ACTUATOR : PBTP, UL94V-0
TERMINAL : PHOSPHOR-BRONZE	THK : 0.3t
仕上げ FINISH	TIN-BISMUTH : 10 MICROMETER MINIMUM
OVER NICKEL PLATING :	10 MICROMETER MINIMUM
適用電線範囲 WIRE RANGE	— # —
被覆外径 INS. RANGE	— # —

REVISED	EC NO: J2007-2876	DRW:KSAIT001	2007/04/19	CHKD:THARUYAMA	2007/04/19	APPR:NUKITA	2007/04/20
DESCRIPTION	GENERAL TOLERANCES (UNLESS SPECIFIED)						
10 UNDER	±0.2		DIMENSION STYLE MM ONLY				SCALE ---
10 OVER 30 UNDER	±0.25		DRAWN BY M. NAGATA				DATE '04/05/10
30 OVER	±0.3		CHECKED BY K. TOJO				DATE '04/05/10
ANGULAR	±3 °		APPROVED BY M. SASAO				DATE '04/05/10
DRAFT WHERE APPLICABLE MUST REMAIN WITHIN DIMENSIONS			MATERIAL NO. SEE CHART				DOCUMENT NO. SD-5597-011
SIZE A3			THIS DRAWING CONTAINS INFORMATION THAT IS PROPRIETARY TO MOLEX INCORPORATED AND SHOULD NOT BE USED WITHOUT WRITTEN PERMISSION				SHEET NO. 1 OF 2

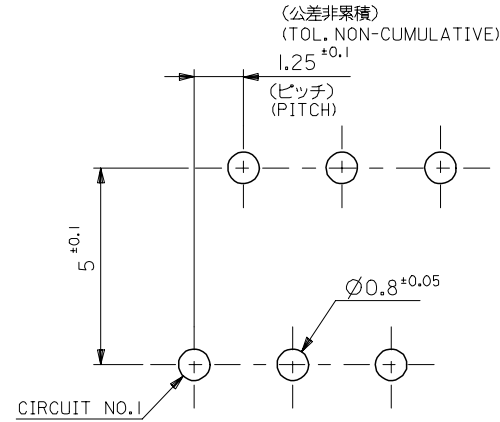
MODEL NO. 5597-NAPB7F

1.25 FPC CONNECTOR
ASSY ZIF
-LEAD FREE-

MOLEX MOLEX INCORPORATED



適合FPC/FFC推奨寸法
RECOMMENDED FPC/FFC
厚さ THK : 0.3^{±0.05}



基板取付穴推奨寸法 (t=1.6)
RECOMMENDED P.C. BOARD
HOLE DIMENSION

FPC/FFCについて:

打抜き方向は導体側から補強板側を推奨いたします。
導体部については軟銅箔35マイクロメートルまたは50マイクロメートルを推奨いたします。

ABOUT FPC/FFC

RECOMMENDED PUNCHER DIRECTION : FROM CONDUCTOR SIDE TO STIFFENER FILM SIDE.
RECOMMENDED CONDUCTOR SPEC :
THICKNESS OF SOFT COPPER FOIL : 35 MICROMETER OR 50 MICROMETER.

FPCについて:

補強フィルム材質はポリイミドを推奨します。
接着剤は熱硬化接着剤を推奨します。

ABOUT FPC

RECOMMENDED MATERIAL :
STIFFENER FILM : POLYIMIDE
BONDING AGENT : THERMOSETTING BONDING AGENT

REVISED EC NO: J2007-2876 DRWN:KSAIT001 2007/04/19 CHKD:THARUYAMA 2007/04/19 APPR:NUKITA 2007/04/20	GENERAL TOLERANCES (UNLESS SPECIFIED)		DIMENSION STYLE MM ONLY		SCALE ---	DESIGN UNIT'S METRIC	THIRD ANGLE PROJECTION	
	10 UNDER	± 0.2	DRAWN BY M. NAGATA	DATE '04/05/10	TITLE 1.25 FPC CONNECTOR ASSY ZIF -LEAD FREE-			
	10 OVER 30 UNDER	± 0.25	CHECKED BY K. TOJO	DATE '04/05/10	MOLEX INCORPORATED			
	30 OVER	± 0.3	APPROVED BY M. SASAO	DATE '04/05/10	DOCUMENT NO. SD-5597-011		SHEET NO. 2 OF 2	
	ANGULAR	± 3 °	MATERIAL NO. SEE CHART					
DRAFT WHERE APPLICABLE MUST REMAIN WITHIN DIMENSIONS		SIZE A3		THIS DRAWING CONTAINS INFORMATION THAT IS PROPRIETARY TO MOLEX INCORPORATED AND SHOULD NOT BE USED WITHOUT WRITTEN PERMISSION				