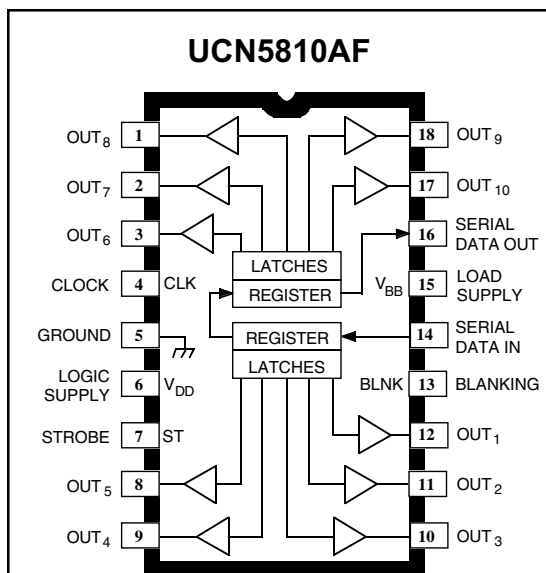


5810-F

BiMOS II 10-BIT SERIAL-INPUT, LATCHED SOURCE DRIVERS WITH ACTIVE-DMOS PULL-DOWNS



Dwg. PP-029

ABSOLUTE MAXIMUM RATINGS

at $T_A = 25^\circ\text{C}$

Logic Supply Voltage, V_{DD} 15 V

Driver Supply Voltage, V_{BB} 60 V

Continuous Output Current Range,
 I_{OUT} -40 mA to +15 mA

Input Voltage Range,

V_{IN} -0.3 V to $V_{DD} + 0.3$ V

Package Power Dissipation, P_D

(UCN5810AF) 2.27 W*

(UCN5810EPF) 1.78 W*

(UCN5810LWF) 1.56 W*

Operating Temperature Range,

T_A -20°C to $+85^\circ\text{C}$

Storage Temperature Range,

T_S -55°C to $+150^\circ\text{C}$

*Derate linearly to 0 W at $+150^\circ\text{C}$.

Caution: CMOS devices have input static protection but are susceptible to damage when exposed to extremely high static electrical charges.

Note that the UCN5810AF (dual in-line package) and UCN5810LWF (small-outline IC package) are electrically identical and share a common pin number assignment.

The UCN5810AF, UCN5810EPF, and UCN5810LWF combine a 10-bit CMOS shift register and accompanying data latches, control circuitry, bipolar sourcing outputs with DMOS active pull-downs. Designed primarily to drive vacuum-fluorescent displays, the 60 V and -40 mA output ratings also allow these devices to be used in many other peripheral power driver applications. The UCN5810AF/EPF/LWF feature reduced supply requirements (active DMOS pull-downs) and lower saturation voltages when compared with the original UCN5810A.

The CMOS shift register and latches allow direct interfacing with microprocessor-based systems. With a 5 V supply, they will operate to at least 3.3 MHz. At 12 V, higher speeds are possible. Use with TTL may require appropriate pull-up resistors to ensure an input logic high.

A CMOS serial data output enables cascade connections in applications requiring additional drive lines. Similar devices are available as the UCN5811A (12 bits), UCN5812AF/EPF (20 bits), and UCN5818AF/EPF (32 bits).

The UCN5810AF/EPF/LWF output source drivers are NPN Darlington capable of sourcing up to 40 mA. The DMOS active pull-downs are capable of sinking up to 15 mA. For inter-digit blanking, all of the output drivers can be disabled and the DMOS sink drivers turned on by the BLANKING input high.

The UCN5810AF is furnished in an 18-pin dual in-line plastic package. The UCN5810EPF is furnished in a 20-lead plastic chip carrier. The UCN5810LWF is furnished in a wide-body, small-outline plastic package (SOIC) with gull-wing leads. Copper lead frames, reduced supply current requirements, and lower output saturation voltages allow all devices to source 25 mA from all outputs continuously, over the entire operating temperature range. All devices are also available for operation between -40°C and $+85^\circ\text{C}$. To order, change the prefix from 'UCN' to 'UCQ'.

FEATURES

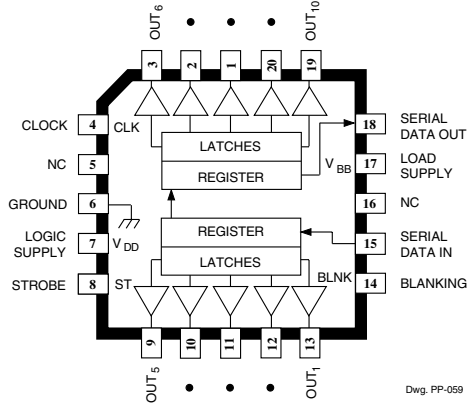
- High-Speed Source Drivers
- 60 V Minimum Output Breakdown
- Improved Replacements for TL4810B
- Low Output Saturation Voltages
- Low-Power CMOS Logic and Latches
- To 3.3 MHz Data Input Rate
- Active DMOS Pull-Downs

Always order by complete part number, e.g., **UCN5810AF**.

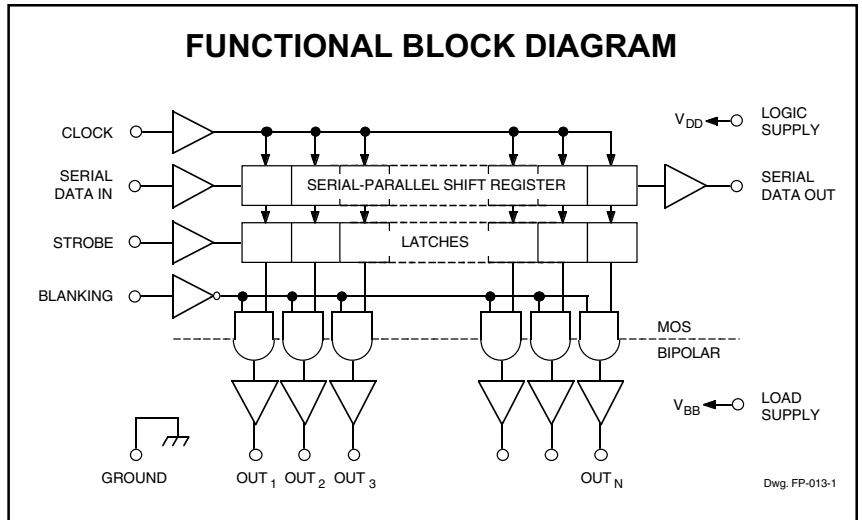
5810-F

10-BIT SERIAL-INPUT, LATCHED SOURCE DRIVERS WITH ACTIVE-DMOS PULL-DOWNS

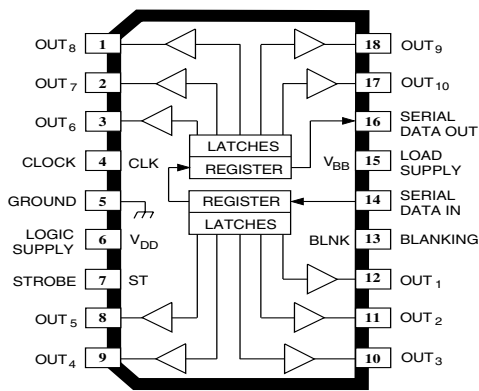
UCN5810EPF



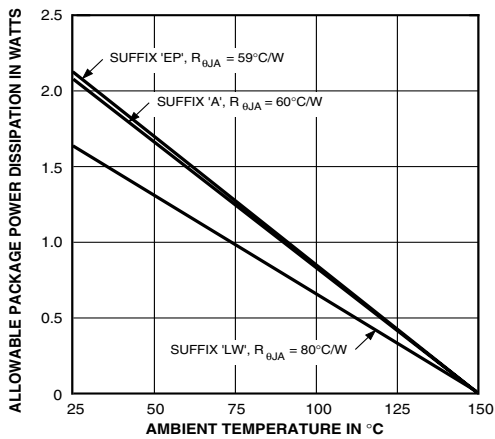
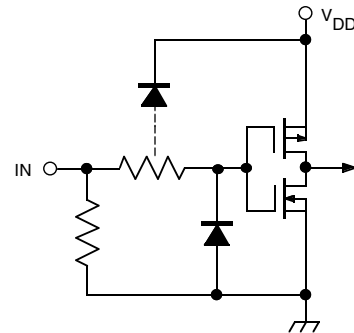
FUNCTIONAL BLOCK DIAGRAM



UCN5810LWF

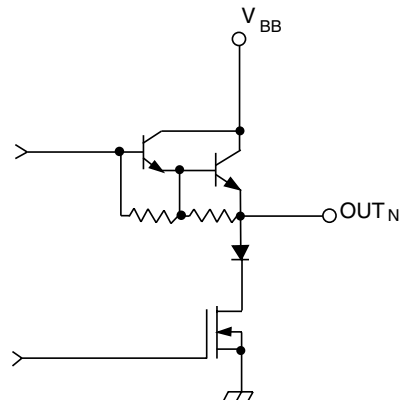


TYPICAL INPUT CIRCUIT



Dwg. GP-024A

TYPICAL OUTPUT DRIVER



5810-F
10-BIT SERIAL-INPUT,
LATCHED SOURCE DRIVERS
WITH ACTIVE-DMOS PULL-DOWNS

ELECTRICAL CHARACTERISTICS at $T_A = +25^\circ\text{C}$, $V_{BB} = 60\text{ V}$ unless otherwise noted.

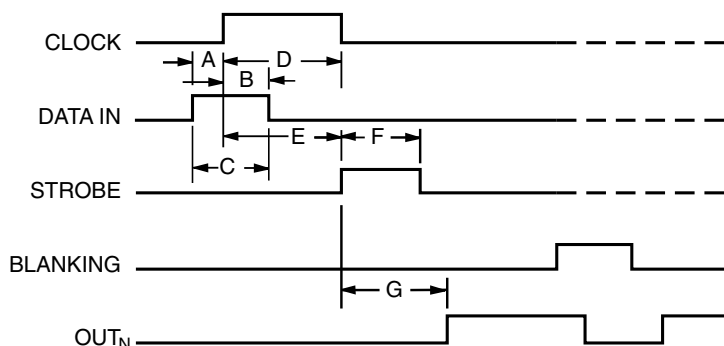
Characteristic	Symbol	Test Conditions	Limits @ $V_{DD} = 5\text{ V}$			Limits @ $V_{DD} = 12\text{ V}$			Units
			Min.	Typ.	Max.	Min.	Typ.	Max.	
Output Leakage Current	I_{CEX}	$V_{OUT} = 0\text{ V}$, $T_A = +70^\circ\text{C}$	—	-5.0	-15	—	-5.0	-15	μA
Output Voltage	$V_{OUT(1)}$	$I_{OUT} = -25\text{ mA}$	58	58.5	—	58	58.5	—	V
	$V_{OUT(0)}$	$I_{OUT} = 1\text{ mA}$	—	1.0	1.5	—	—	—	V
		$I_{OUT} = 2\text{ mA}$	—	—	—	—	1.0	1.5	V
Output Pull-Down Current	$I_{OUT(0)}$	$V_{OUT} = 5\text{ V to }V_{BB}$	2.0	3.5	—	—	—	—	mA
		$V_{OUT} = 20\text{ V to }V_{BB}$	—	—	—	8.0	13	—	mA
Input Voltage	$V_{IN(1)}$		3.5	—	5.3	10.5	—	12.3	V
	$V_{IN(0)}$		-0.3	—	+0.8	-0.3	—	+0.8	V
Input Current	$I_{IN(1)}$	$V_{IN} = V_{DD}$	—	—	100	—	—	240	μA
	$I_{IN(0)}$	$V_{IN} = 0.8\text{ V}$	—	-0.05	-0.5	—	-0.1	-1.0	μA
Serial Data Output Voltage	$V_{OUT(1)}$	$I_{OUT} = -200\ \mu\text{A}$	4.5	4.7	—	11.7	11.8	—	V
	$V_{OUT(0)}$	$I_{OUT} = 200\ \mu\text{A}$	—	200	250	—	100	200	mV
Maximum Clock Frequency	f_{clk}		3.3*	—	—	—	—	—	MHz
Supply Current	$I_{DD(1)}$	All Outputs High	—	100	300	—	200	500	μA
	$I_{DD(0)}$	All Outputs Low	—	100	300	—	200	500	μA
	$I_{BB(1)}$	Outputs High, No Load	—	0.7	2.0	—	0.7	2.0	mA
	$I_{BB(0)}$	Outputs Low	—	10	100	—	10	100	μA
Blanking to Output Delay	t_{PHL}	$C_L = 30\text{ pF}$, 50% to 50%	—	2000	—	—	1000	—	ns
	t_{PLH}	$C_L = 30\text{ pF}$, 50% to 50%	—	1000	—	—	850	—	ns
Output Fall Time	t_f	$C_L = 30\text{ pF}$, 90% to 10%	—	1450	—	—	650	—	ns
Output Rise Time	t_r	$C_L = 30\text{ pF}$, 10% to 90%	—	650	—	—	700	—	ns

Negative current is defined as coming out of (sourcing) the specified device pin.

* Operation at a clock frequency greater than the specified minimum value is possible but not warranted.

5810-F

10-BIT SERIAL-INPUT, LATCHED SOURCE DRIVERS WITH ACTIVE-DMOS PULL-DOWNS



Dwg. No. A-12,649A

TIMING REQUIREMENTS

($T_A = +25^\circ\text{C}$, $V_{DD} = 5\text{ V}$, Logic Levels are V_{DD} and Ground)

- A. Minimum Data Active Time Before Clock Pulse (Data Set-Up Time) **75 ns**
- B. Minimum Data Active Time After Clock Pulse (Data Hold Time) **75 ns**
- C. Minimum Data Pulse Width **150 ns**
- D. Minimum Clock Pulse Width **150 ns**
- E. Minimum Time Between Clock Activation and Strobe **300 ns**
- F. Minimum Strobe Pulse Width **100 ns**
- G. Typical Time Between Strobe Activation and Output Transition **500 ns**

Timing is representative of a 3.3 MHz clock. Higher speeds may be attainable with increased supply voltage; operation at high temperatures will reduce the specified maximum clock frequency.

Serial Data present at the input is transferred to the shift register on the logic “0” to logic “1” transition of the CLOCK input pulse. On succeeding CLOCK pulses, the registers shift data information towards the SERIAL DATA OUTPUT. The SERIAL DATA must appear at the input prior to the rising edge of the CLOCK input waveform.

Information present at any register is transferred to the respective latch when the STROBE is high (serial-to-parallel conversion). The latches will continue to accept new data as long as the STROBE is held high. Applications where the latches are bypassed (STROBE tied high) will require that the BLANKING input be high during serial data entry.

When the BLANKING input is high, the output source drivers are disabled (OFF); the DMOS sink drivers are ON. The information stored in the latches is not affected by the BLANKING input. With the BLANKING input low, the outputs are controlled by the state of their respective latches.

TRUTH TABLE

Serial Data Input	Clock Input	Shift Register Contents						Serial Data Output	Strobe Input	Latch Contents						Blanking	Output Contents					
		I ₁	I ₂	I ₃	...	I _{N-1}	I _N			L ₁	L ₂	L ₃	...	L _{N-1}	L _N		O ₁	O ₂	O ₃	...	O _{N-1}	O _N
H	⌋	H	R ₁	R ₂	...	R _{N-2}	R _{N-1}	R _{N-1}														
L	⌋	L	R ₁	R ₂	...	R _{N-2}	R _{N-1}	R _{N-1}														
X	⌋	R ₁	R ₂	R ₃	...	R _{N-1}	R _N	R _N														
		X	X	X	...	X	X	X	L	R ₁	R ₂	R ₃	...	R _{N-1}	R _N							
		P ₁	P ₂	P ₃	...	P _{N-1}	P _N	P _N	H	P ₁	P ₂	P ₃	...	P _{N-1}	P _N	L						
										X	X	X	...	X	X	H	L	L	L	...	L	L

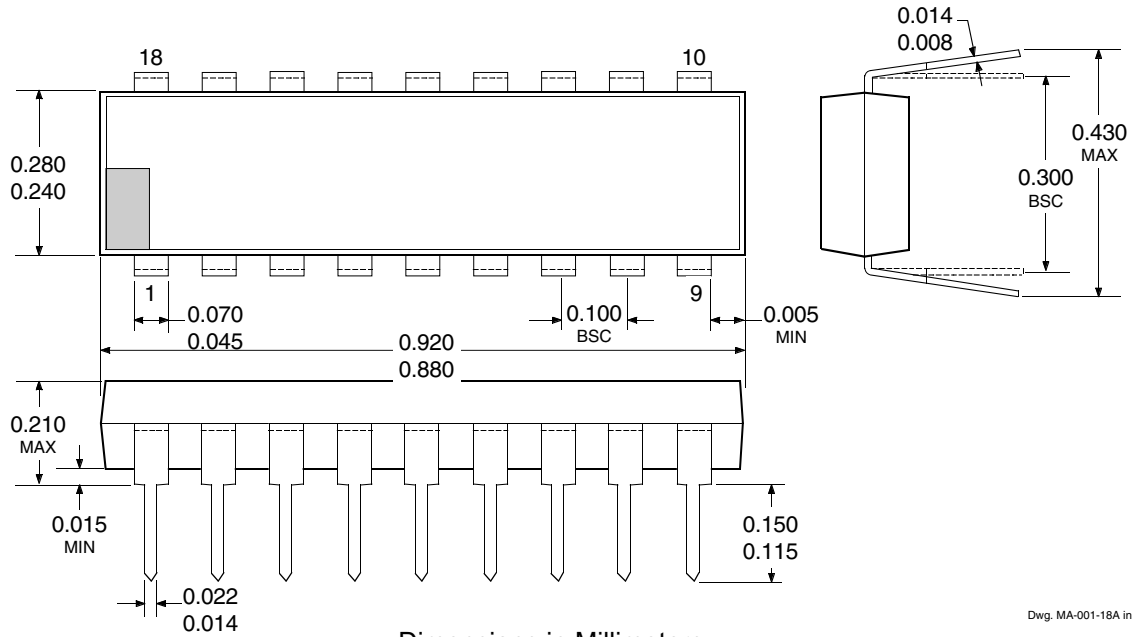
L = Low Logic Level H = High Logic Level X = Irrelevant P = Present State R = Previous State



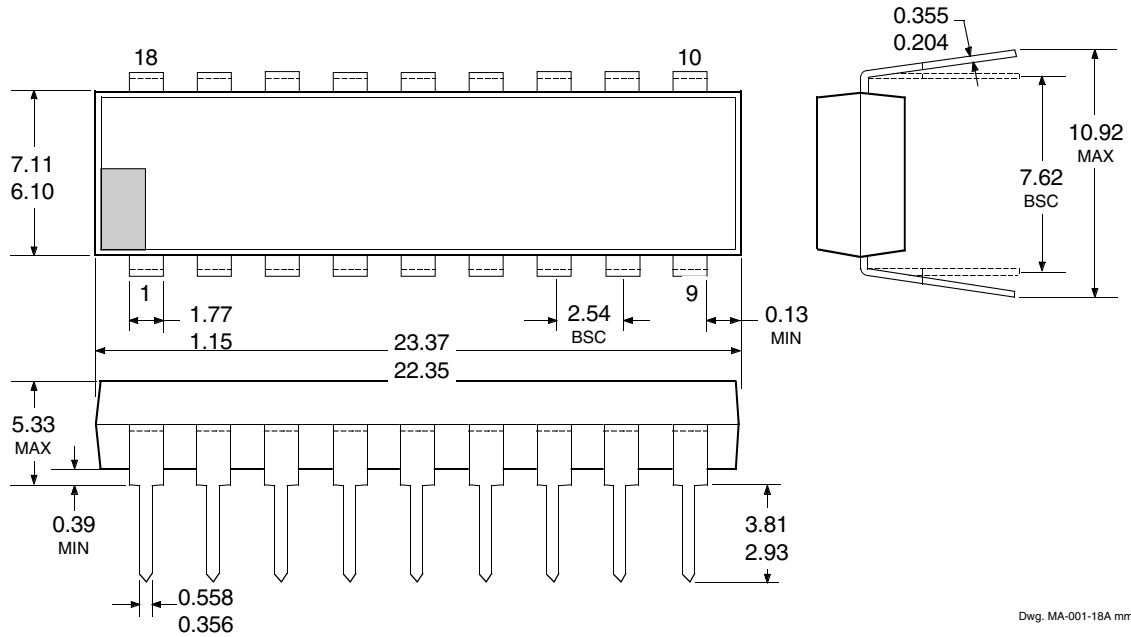
5810-F 10-BIT SERIAL-INPUT, LATCHED SOURCE DRIVERS WITH ACTIVE-DMOS PULL-DOWNS

UCN5810AF

Dimensions in Inches
(controlling dimensions)



Dimensions in Millimeters
(for reference only)

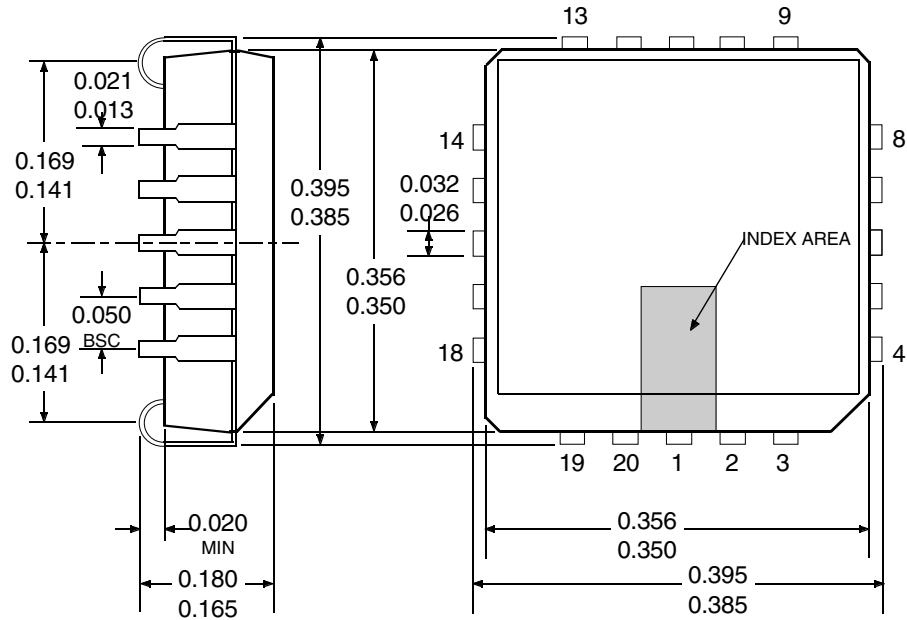


- NOTES: 1. Exact body and lead configuration at vendor's option within limits shown.
 2. Lead spacing tolerance is non-cumulative.
 3. Lead thickness is measured at seating plane or below.
 4. Supplied in standard sticks/tubes of 21 devices.

5810-F
10-BIT SERIAL-INPUT,
LATCHED SOURCE DRIVERS
WITH ACTIVE-DMOS PULL-DOWNS

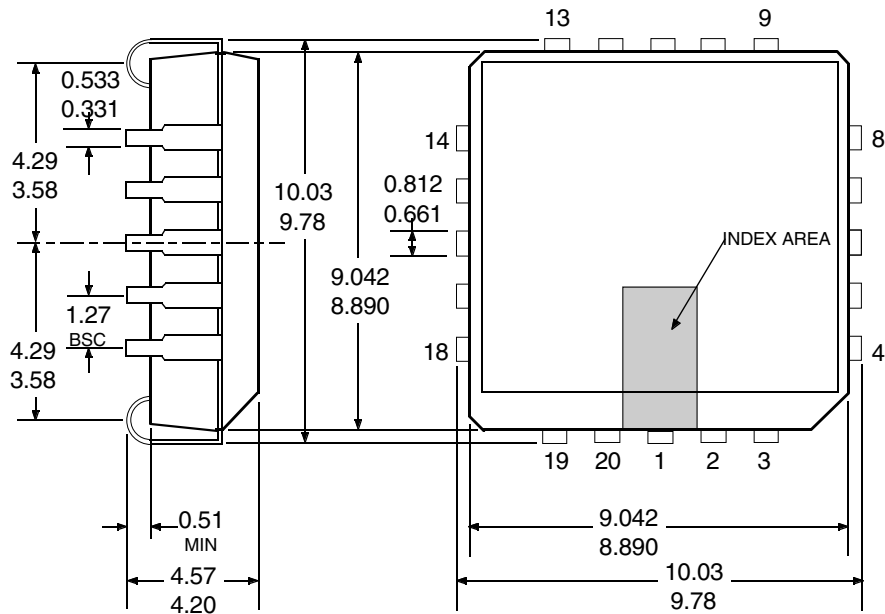
UCN5810EPF

Dimensions in Inches
 (controlling dimensions)



Dwg. MA-005-20A in

Dimensions in Millimeters
 (for reference only)



Dwg. MA-005-20A mm

- NOTES: 1. Exact body and lead configuration at vendor's option within limits shown.
 2. Lead spacing tolerance is non-cumulative.
 3. Supplied in standard sticks/tubes of 48 devices or add "TR" to part number for tape and reel.

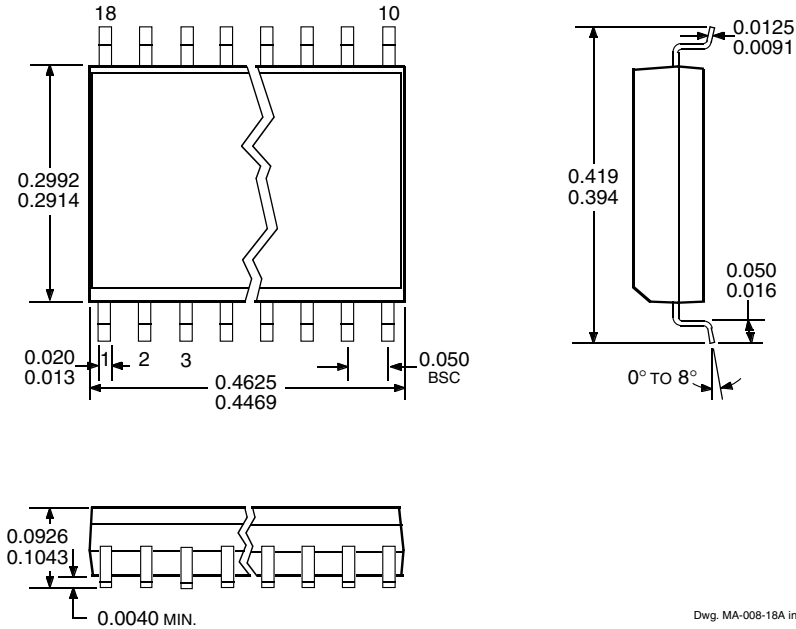


5810-F

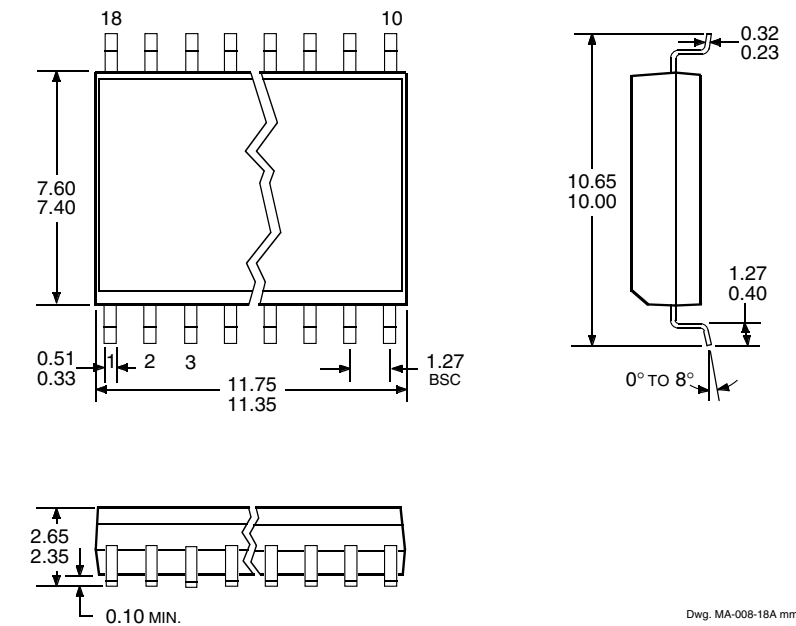
10-BIT SERIAL-INPUT, LATCHED SOURCE DRIVERS WITH ACTIVE-DMOS PULL-DOWNS

UCN5810LWF

Dimensions in Inches
(for reference only)



Dimensions in Millimeters
(controlling dimensions)



- NOTES: 1. Exact body and lead configuration at vendor's option within limits shown.
 2. Lead spacing tolerance is non-cumulative.
 3. Supplied in standard sticks/tubes of 41 devices or add "TR" to part number for tape and reel.

5810-F
10-BIT SERIAL-INPUT,
LATCHED SOURCE DRIVERS
WITH ACTIVE-DMOS PULL-DOWNS

The products described here are manufactured under one or more U.S. patents or U.S. patents pending.

Allegro MicroSystems, Inc. reserves the right to make, from time to time, such departures from the detail specifications as may be required to permit improvements in the performance, reliability, or manufacturability of its products. Before placing an order, the user is cautioned to verify that the information being relied upon is current.

Allegro products are not authorized for use as critical components in life-support devices or systems without express written approval.

The information included herein is believed to be accurate and reliable. However, Allegro MicroSystems, Inc. assumes no responsibility for its use; nor for any infringement of patents or other rights of third parties which may result from its use.



115 Northeast Cutoff, Box 15036
Worcester, Massachusetts 01615-0036 (508) 853-5000