

N-channel 1050 V, 2.9 Ω typ., 3 A MDmesh™ K5 Power MOSFET in a TO-220FP package

Datasheet - production data

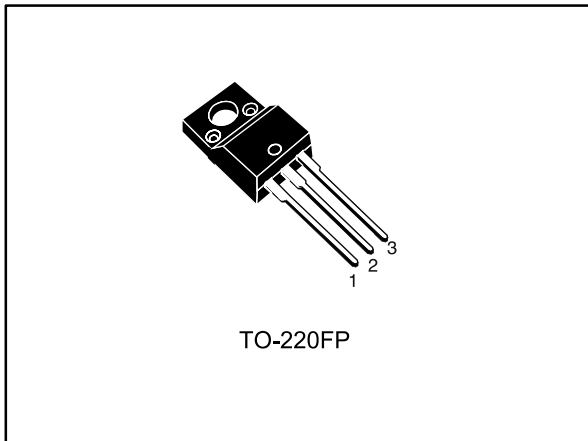
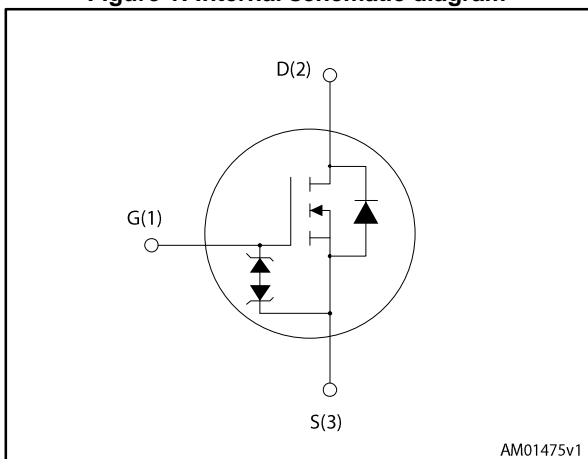


Figure 1: Internal schematic diagram



Features

Order code	V _{DS}	R _{DS(on)} max.	I _D	P _{TOT}
STF5N105K5	1050 V	3.5 Ω	3 A	25 W

- Worldwide best FOM (figure of merit)
- Ultra low gate charge
- 100% avalanche tested
- Zener-protected

Applications

- Switching applications

Description

This N-channel Zener-protected Power MOSFET is designed using ST's revolutionary avalanche-rugged very high voltage MDmesh™ K5 technology, based on an innovative proprietary vertical structure. The result is a dramatic reduction in on-resistance, and ultra-low gate charge for applications which require superior power density and high efficiency.

Table 1: Device summary

Part number	Marking	Package	Packaging
STF5N105K5	5N105K5	TO-220FP	Tube

Contents

1	Electrical ratings	3
2	Electrical characteristics	4
	2.1 Electrical characteristics (curves).....	6
3	Test circuits	9
4	Package mechanical data	10
	4.1 TO-220FP package mechanical data.....	11
5	Revision history	13

1 Electrical ratings

Table 2: Absolute maximum ratings

Symbol	Parameter	Value	Unit
V_{GS}	Gate- source voltage	± 30	V
I_D	Drain current (continuous) at $T_C = 25\text{ }^\circ\text{C}$	3 ⁽¹⁾	A
I_D	Drain current (continuous) at $T_C = 100\text{ }^\circ\text{C}$	2 ⁽¹⁾	A
I_{DM} ⁽²⁾	Drain current (pulsed)	12	A
P_{TOT}	Total dissipation at $T_C = 25\text{ }^\circ\text{C}$	25	W
I_{AR}	Max current during repetitive or single pulse avalanche	1	A
E_{AS}	Single pulse avalanche energy (starting $T_J = 25\text{ }^\circ\text{C}$, $I_D = I_{AS}$, $V_{DD} = 50\text{ V}$)	85	mJ
V_{ISO}	Insulation withstand voltage (RMS) from all three leads to external heat sink ($t = 1\text{ s}$; $T_C = 25\text{ }^\circ\text{C}$)	2500	V
dv/dt ⁽³⁾	Peak diode recovery voltage slope	4.5	V/ns
dv/dt ⁽⁴⁾	MOSFET dv/dt ruggedness	50	V/ns
T_j	Operating junction temperature	- 55 to 150	$^\circ\text{C}$
T_{stg}	Storage temperature		

Notes:

⁽¹⁾Limited only by maximum junction temperature

⁽²⁾Pulse width limited by safe operating area.

⁽³⁾ $I_{SD} \leq 3\text{ A}$, $di/dt \leq 100\text{ A}/\mu\text{s}$, $V_{DS(peak)} \leq V_{(BR)DSS}$

⁽⁴⁾ $V_{DS} \leq 840\text{ V}$

Table 3: Thermal data

Symbol	Parameter	Value	Unit
$R_{thj-case}$	Thermal resistance junction-case max	5	$^\circ\text{C}/\text{W}$
$R_{thj-amb}$	Thermal resistance junction-amb max	62.5	$^\circ\text{C}/\text{W}$

2 Electrical characteristics

(T_{CASE} = 25 °C unless otherwise specified).

Table 4: On/off states

Symbol	Parameter	Test conditions	Min.	Typ.	Max.	Unit
V _{(BR)DSS}	Drain-source breakdown voltage	V _{GS} = 0, I _D = 1 mA	1050			V
I _{DSS}	Zero gate voltage drain current	V _{GS} = 0, V _{DS} = 1050 V			1	μA
		V _{GS} = 0, V _{DS} = 1050 V, T _C = 125 °C			50	μA
I _{GSS}	Gate body leakage current	V _{DS} = 0, V _{GS} = ± 20 V			±10	μA
V _{GS(th)}	Gate threshold voltage	V _{DS} = V _{GS} , I _D = 100 μA	3	4	5	V
R _{DS(on)}	Static drain-source on-resistance	V _{GS} = 10 V, I _D = 1.5 A		2.9	3.5	Ω

Table 5: Dynamic

Symbol	Parameter	Test conditions	Min.	Typ.	Max.	Unit
C _{iss}	Input capacitance	V _{GS} = 0, V _{DS} = 100 V, f = 1 MHz	-	210	-	pF
C _{oss}	Output capacitance		-	16	-	pF
C _{rss}	Reverse transfer capacitance		-	0.5	-	pF
C _{o(tr)} ⁽¹⁾	Equivalent capacitance time related	V _{GS} = 0, V _{DS} = 0 to 840 V	-	26	-	pF
C _{o(er)} ⁽²⁾	Equivalent capacitance energy related		-	10	-	pF
R _G	Intrinsic gate resistance	f = 1MHz open drain	-	9	-	Ω
Q _g	Total gate charge	V _{DD} = 840 V, I _D = 3 A	-	12.5	-	nC
Q _{gs}	Gate-source charge	V _{GS} = 10 V	-	2	-	nC
Q _{gd}	Gate-drain charge	<i>Figure 16: "Gate charge test circuit"</i>	-	9.5	-	nC

Notes:

⁽¹⁾Time related is defined as a constant equivalent capacitance giving the same charging time as C_{oss} when V_{DS} increases from 0 to 80% V_{DSS}

⁽²⁾energy related is defined as a constant equivalent capacitance giving the same stored energy as C_{oss} when V_{DS} increases from 0 to 80% V_{DSS}

Table 6: Switching times

Symbol	Parameter	Test conditions	Min.	Typ.	Max.	Unit
t _{d(on)}	Turn-on delay time	V _{DD} = 525V, I _D = 1.5 A, R _G = 4.7 Ω, V _{GS} = 10 V <i>Figure 18: "Unclamped inductive load test circuit"</i>	-	15.5	-	ns
t _r	Rise time		-	8.5	-	ns
t _{d(off)}	Turn-off delay time		-	31	-	ns
t _f	Fall time		-	24	-	ns

Table 7: Source drain diode

Symbol	Parameter	Test conditions	Min.	Typ.	Max.	Unit
I_{SD}	Source-drain current		-		3	A
I_{SDM}	Source-drain current (pulsed)		-		12	A
$V_{SD}^{(1)}$	Forward on voltage	$V_{GS}=0, I_{SD}=3\text{ A}$	-		1.5	V
t_{rr}	Reverse recovery time	$I_{SD}=3\text{ A}, V_{DD}=60\text{ V}$ $di/dt=100\text{ A}/\mu\text{s}$, <i>Figure 17: " Test circuit for inductive load switching and diode recovery times"</i>	-	400		ns
Q_{rr}	Reverse recovery charge		-	2.3		μC
I_{RRM}	Reverse recovery current		-	12		A
t_{rr}	Reverse recovery time	$I_{SD}=3\text{ A}, V_{DD}=60\text{ V}$ $di/dt=100\text{ A}/\mu\text{s}$, $T_j=150\text{ }^\circ\text{C}$ <i>Figure 17: " Test circuit for inductive load switching and diode recovery times"</i>	-	560		ns
Q_{rr}	Reverse recovery charge		-	3.1		μC
I_{RRM}	Reverse recovery current		-	11		A

Notes:

⁽¹⁾Pulsed: pulse duration = 300 μs , duty cycle 1.5%

Table 8: Gate-source Zener diode

Symbol	Parameter	Test conditions	Min	Typ.	Max.	Unit
$V_{(BR)GSO}$	Gate-source breakdown voltage	$I_{GS} = \pm 1\text{ mA}, I_D=0$	30	-	-	V

The built-in back-to-back Zener diodes have specifically been designed to enhance the device's ESD capability. In this respect the Zener voltage is appropriate to achieve an efficient and cost-effective intervention to protect the device's integrity. These integrated Zener diodes thus avoid the usage of external components.

2.1 Electrical characteristics (curves)

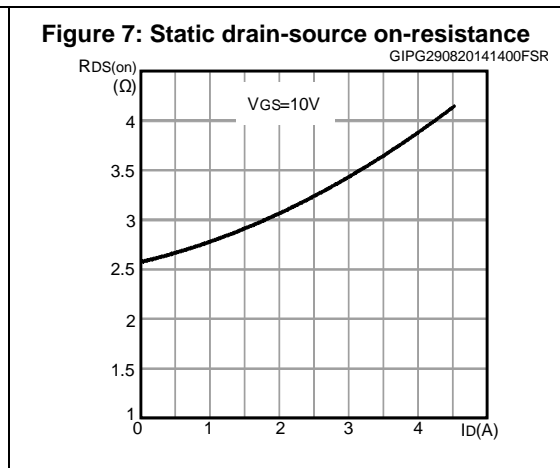
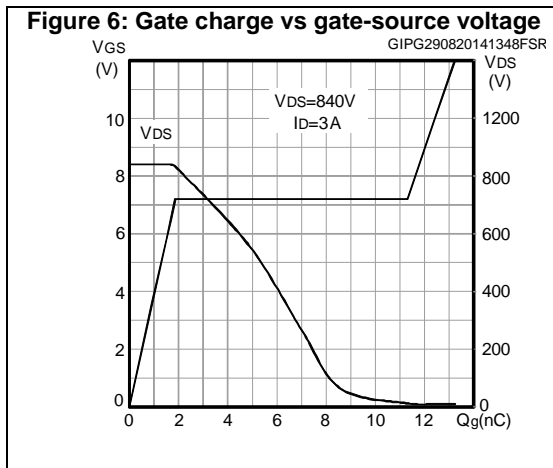
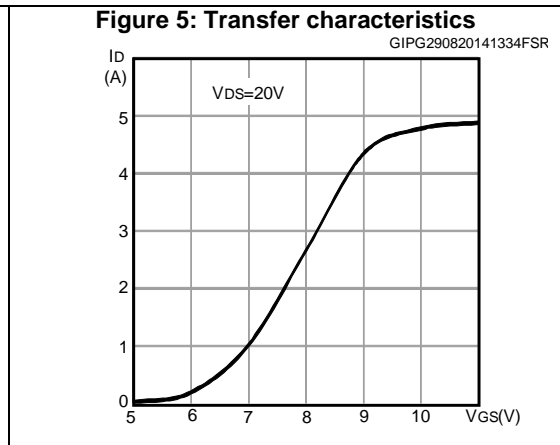
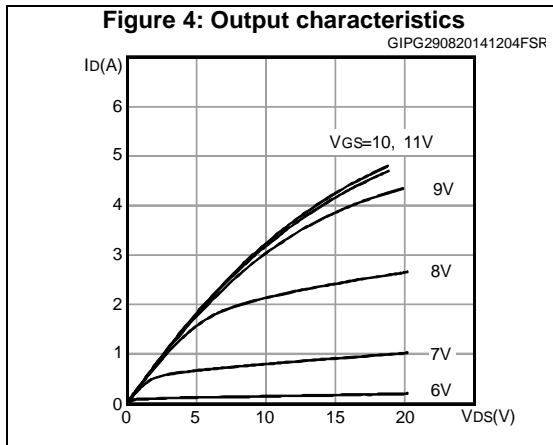
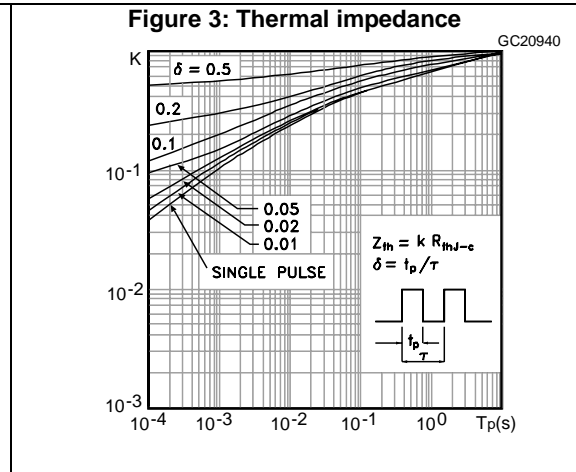
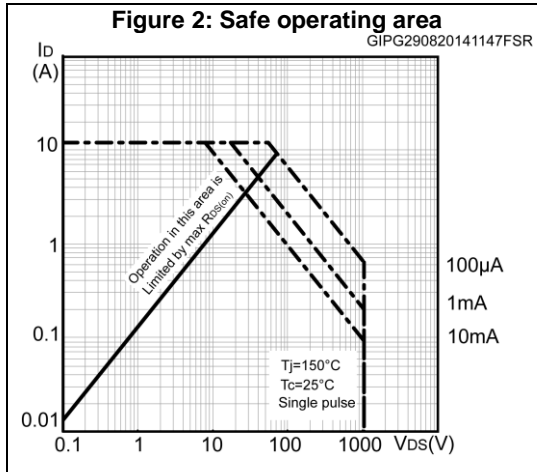


Figure 8: Capacitance variations

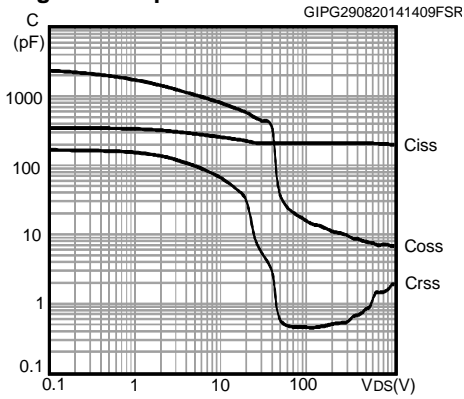


Figure 9: Maximum avalanche energy

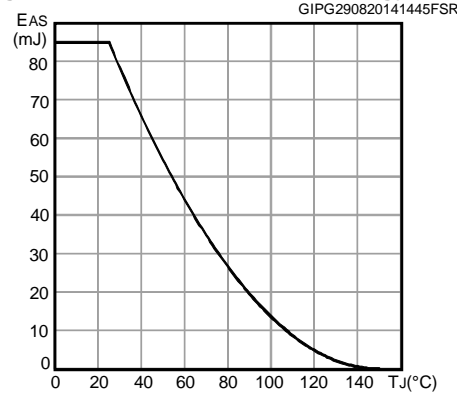


Figure 10: Normalized gate threshold voltage vs temperature

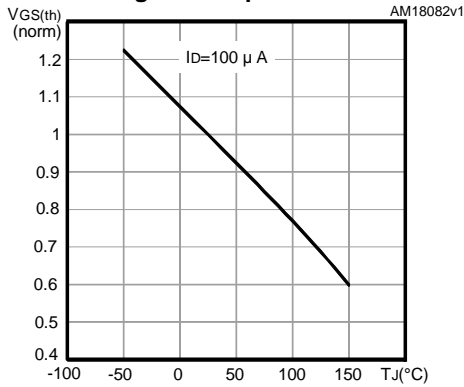


Figure 11: Normalized on-resistance vs temperature

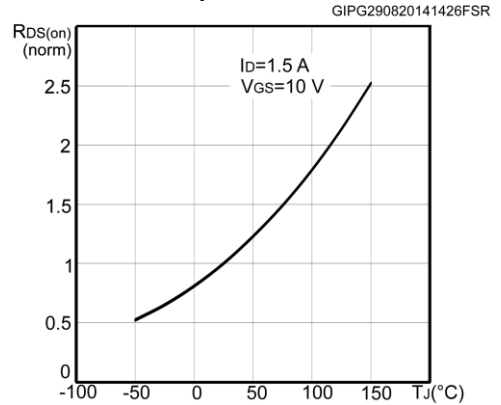


Figure 12: Normalized V(BR)DSS vs temperature

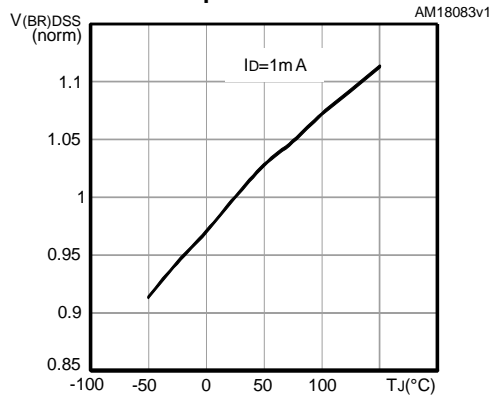


Figure 13: Source-drain diode forward characteristics

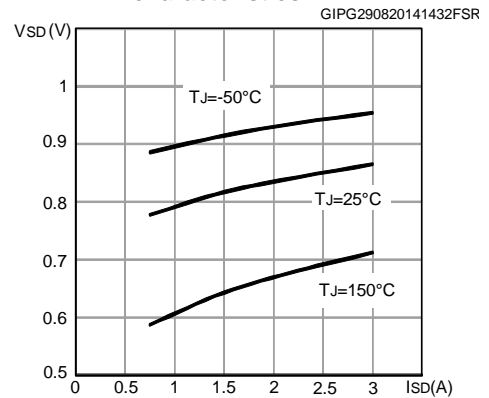
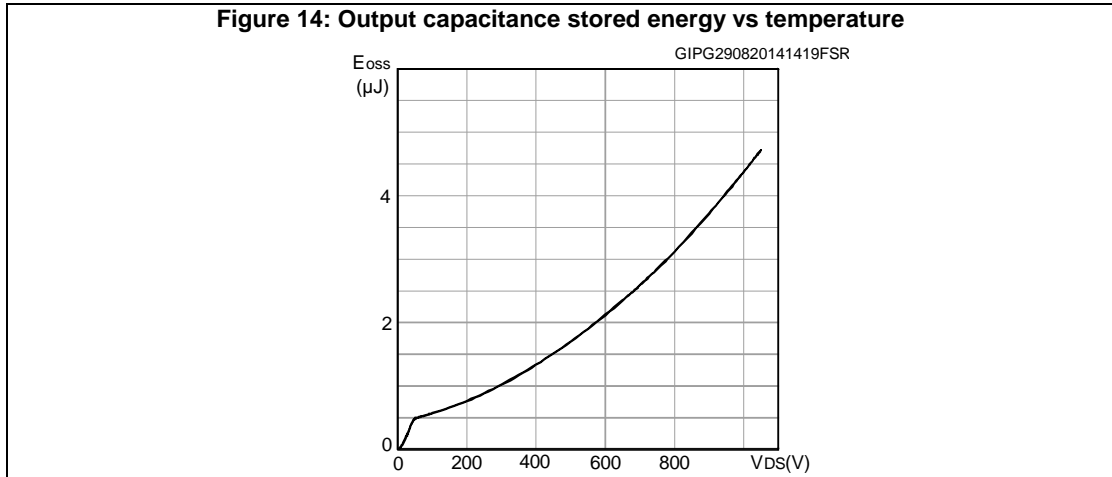
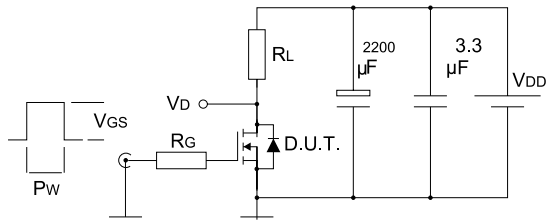


Figure 14: Output capacitance stored energy vs temperature



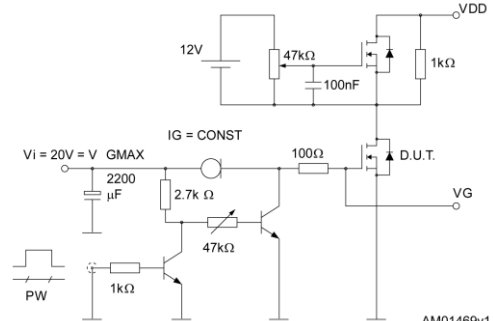
3 Test circuits

Figure 15: Switching times test circuit for resistive load



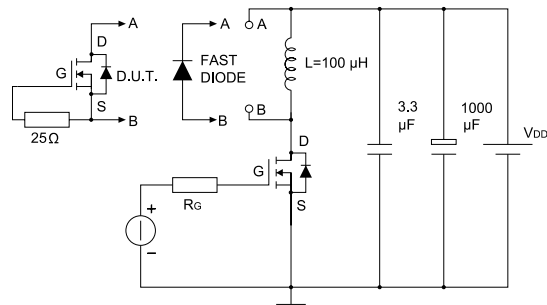
AM01468v1

Figure 16: Gate charge test circuit



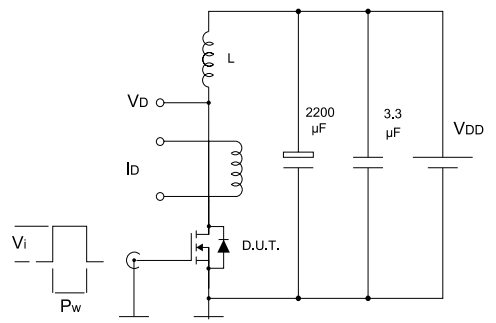
AM01469v1

Figure 17: Test circuit for inductive load switching and diode recovery times



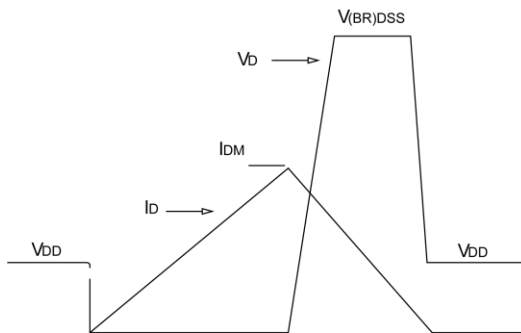
AM01470v1

Figure 18: Unclamped inductive load test circuit



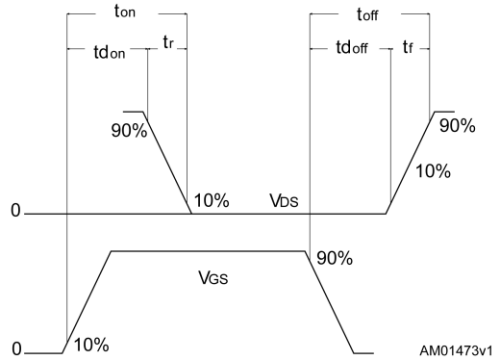
AM01471v1

Figure 19: Unclamped inductive waveform



AM01472v1

Figure 20: Switching time waveform



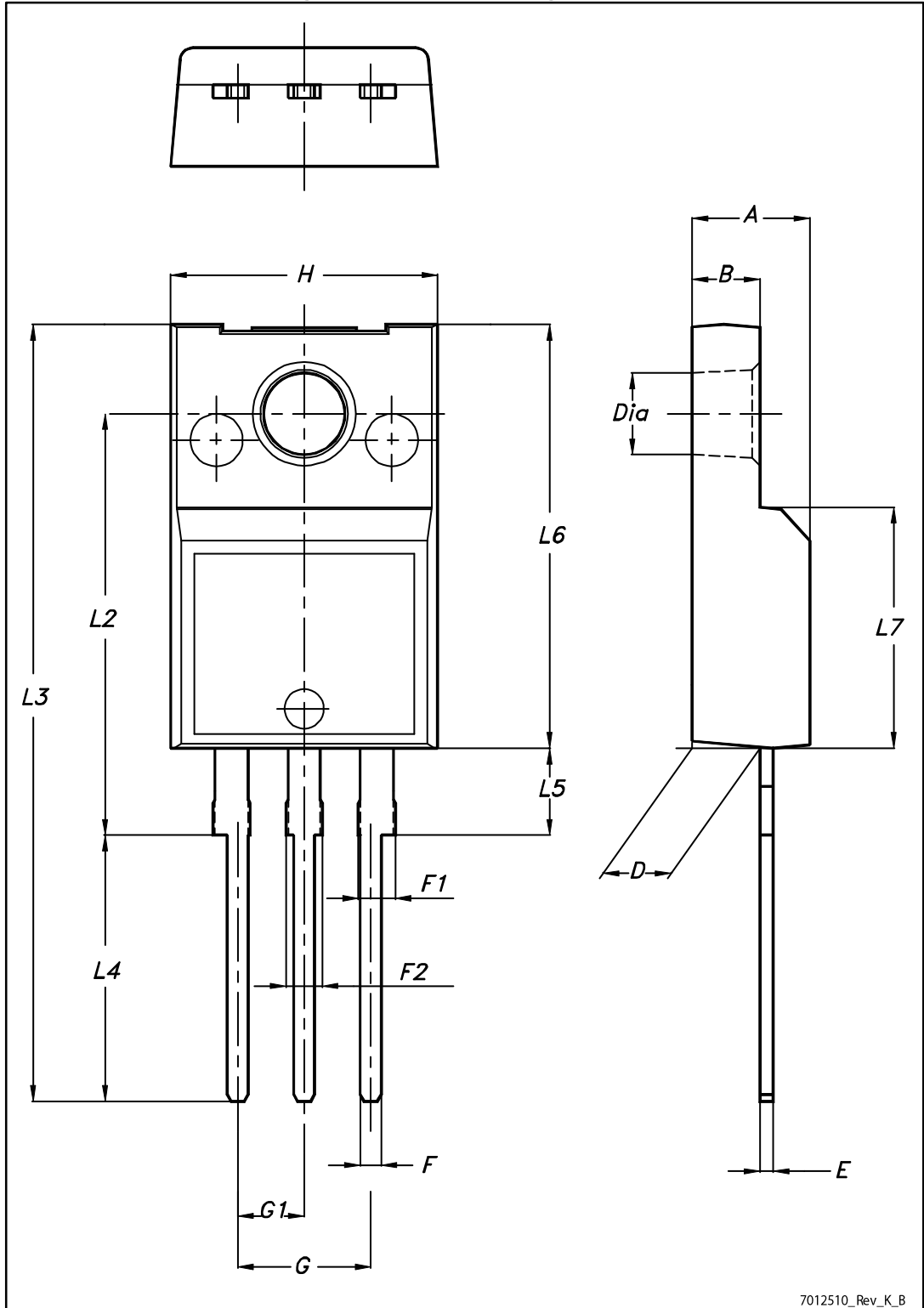
AM01473v1

4 Package mechanical data

In order to meet environmental requirements, ST offers these devices in different grades of ECOPACK® packages, depending on their level of environmental compliance. ECOPACK® specifications, grade definitions and product status are available at: www.st.com. ECOPACK® is an ST trademark.

4.1 TO-220FP package mechanical data

Figure 21: TO-220FP package outline



7012510_Rev_K_B

Table 9: TO-220FP mechanical data

Dim.	mm		
	Min.	Typ.	Max.
A	4.4		4.6
B	2.5		2.7
D	2.5		2.75
E	0.45		0.7
F	0.75		1
F1	1.15		1.70
F2	1.15		1.70
G	4.95		5.2
G1	2.4		2.7
H	10		10.4
L2		16	
L3	28.6		30.6
L4	9.8		10.6
L5	2.9		3.6
L6	15.9		16.4
L7	9		9.3
Dia	3		3.2

5 Revision history

Table 10: Document revision history

Date	Revision	Changes
17-Jul-2014	1	First release.
01-Sep-2014	2	Document status promoted from preliminary to production data. Inserted Section 3.1: "Electrical characteristics (curves)" . Minor text changes.
02-Sep-2014	3	Updated title in cover page.
03-Oct-2014	4	Updated: Figure 3: "Thermal impedance" , Figure 6: "Gate charge vs gate-source voltage" and Figure 8: "Capacitance variations"
15-Oct-2014	5	Updated Table 2: "Absolute maximum ratings"

IMPORTANT NOTICE – PLEASE READ CAREFULLY

STMicroelectronics NV and its subsidiaries ("ST") reserve the right to make changes, corrections, enhancements, modifications, and improvements to ST products and/or to this document at any time without notice. Purchasers should obtain the latest relevant information on ST products before placing orders. ST products are sold pursuant to ST's terms and conditions of sale in place at the time of order acknowledgement.

Purchasers are solely responsible for the choice, selection, and use of ST products and ST assumes no liability for application assistance or the design of Purchasers' products.

No license, express or implied, to any intellectual property right is granted by ST herein.

Resale of ST products with provisions different from the information set forth herein shall void any warranty granted by ST for such product.

ST and the ST logo are trademarks of ST. All other product or service names are the property of their respective owners.

Information in this document supersedes and replaces information previously supplied in any prior versions of this document.

© 2014 STMicroelectronics – All rights reserved