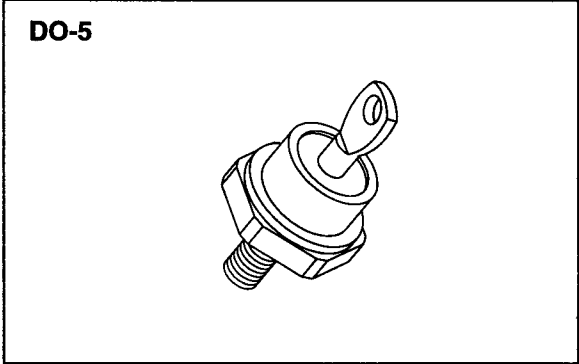


Designer's Data Sheet

- FEATURES:**
- Radiation Tolerant
 - Ultra Fast Recovery: 50 nsec Maximum
 - Reverse Voltage to 150 Volts
 - Very Low Forward Voltage Drop
 - Low Reverse Leakage
 - Hermetically Sealed
 - Single Chip Construction
 - 175°C Operating

5R6S
thru
15R6S

50 AMP
50-150 VOLTS
50nsec
EPION®
RECTIFIER



MAXIMUM RATINGS

RATING	SYMBOL	VALUE	UNIT
Peak Repetitive Reverse and DC Blocking Voltage <div style="display: flex; justify-content: space-between;"> <div style="width: 40%;"> 5R6S 7R6S 10R6S 12R6S 15R6S </div> <div style="width: 30%; text-align: center;"> VRM(rep) VR </div> <div style="width: 20%; text-align: center;"> 50 70 100 125 150 </div> <div style="width: 10%; text-align: center; vertical-align: middle;">Volts</div> </div>			
Half Wave Rectified Forward Current, Averaged Over Full Cycle (Resistive Load 60Hz, Sine Wave, TC=55°C)	IO	50	Amps
Peak Repetitive Forward Current (TC=55°C, 8.3 ms Pulse, Allow Junction to Reach Equilibrium Between Pulses)	IFM(rep)	150	Amps
Peak Surge Current (TC=55°C, Superimposed on Rated Current at Rated Voltage, 8.3 ms Pulse)	IFM(surge)	450	Amps
Operating and storage temperature	Top & Tstg	-65 to +175	°C
Maximum Thermal Resistance Junction to Case	RθJC	1.0	°C/W

**5R6S
thru
15R6S**

PRELIMINARY



SOLID STATE DEVICES, INC

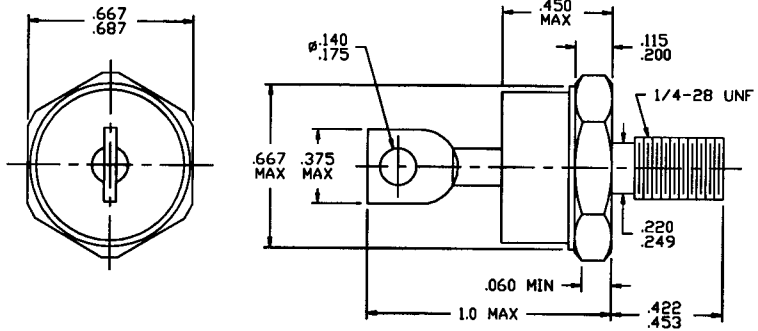
14849 Firestone Boulevard · La Mirada, CA 90638
Phone: (714) 670-SSDI (7734) · Fax: (714) 522-7424

ELECTRICAL CHARACTERISTICS

CHARACTERISTICS	SYMBOL	MAXIMUM	UNIT
Maximum Instantaneous Forward Voltage Drop (IF = 50 Adc, TC=25°C, 300-500µs Pulse)	VF	0.95	Vdc
Maximum Instantaneous Forward Voltage Drop (IF = 50 Adc, TC= - 55°C, 300-500µs Pulse)	VF	1.05	Vdc
Maximum Reverse Leakage Current (Rated VR, TC=25°C)	IR	250*	µA
Maximum Reverse Leakage Current (Rated VR, TC=100°C)	IR	20*	mA
Maximum Junction Capacitance (VR = 10 Vdc, TA=25°C)	CJ	400	pf
Reverse Recovery Time (IF=500mA, IR=1 A, IRR=250mA)	trr	50	nsec

* Lower Leakage Devices Available from Factory

CASE OUTLINE: DO-5



TYPICAL OPERATING CURVES

TA=25°C Unless otherwise specified

