



14849 Firestone Boulevard · La Mirada, CA 90638  
Phone: (714) 670-SSDI (7734) · Fax: (714) 522-7424

**4R8S  
thru  
15R8S**

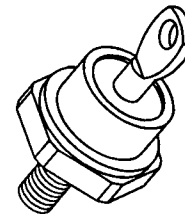
## Designer's Data Sheet

### FEATURES:

- Radiation Tolerant
- Ultra Fast Recovery: 75 nsec Maximum
- Reverse Voltage to 150 Volts
- Very Low Forward Voltage Drop
- Low Reverse Leakage
- Hermetically Sealed
- Single Chip Construction
- Up to 175°C Operating Temperature

**40 AMP  
40-150 VOLTS  
50nsec  
EPION®  
RECTIFIER**

DO-5



### MAXIMUM RATINGS

RATING	SYMBOL	VALUE	UNIT
Peak Repetitive Reverse and DC Blocking Voltage			
4R8S		40	Volts
5R8S	VRM	50	
7R8S		70	
10R8S		100	
12R8S	VR	125	
15R8S		150	
Half Wave Rectified Forward Current, Averaged Over Full Cycle (Resistive Load 60Hz, Sine Wave, TC=55°C)	IO	100	Amps
Peak Repetitive Forward Current (TC=55°C, 8.3ms Pulse, Allow Junction to Reach Equilibrium Between Pulses)	IFSM	400	Amps
Peak Surge Current (TC=55°C, Superimposed on Rated Current at Rated Voltage, 8.3 ms Pulse)	IFSM	1000	Amps
Operating and storage temperature	Top & Tstg	-65 to +175	°C
Maximum Thermal Resistance Junction to Case	RθJC	0.65	°C/W

NOTE: All specifications are subject to change without notification. SCD's for these devices should be reviewed by SSDI prior to release.

DATA SHEET#: RU0167 A

4R8S  
thru  
15R8S

PRELIMINARY



SOLID STATE DEVICES, INC

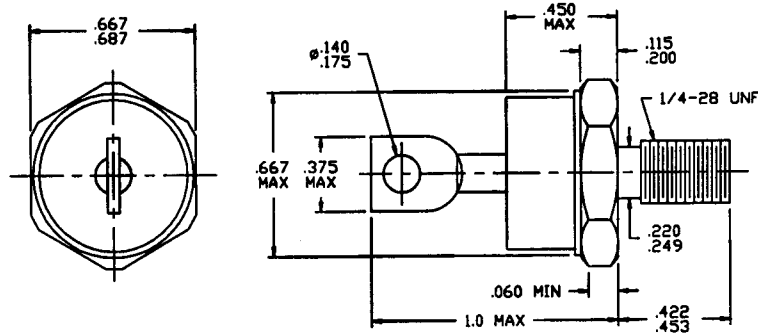
14849 Firestone Boulevard · La Mirada, CA 90638  
Phone: (714) 670-SSDI (7734) · Fax: (714) 522-7424

**ELECTRICAL CHARACTERISTICS**

CHARACTERISTICS	SYMBOL	MAXIMUM	UNIT
Maximum Instantaneous Forward Voltage Drop (IF = 100 Adc, TC= 25°C, 300-500µs Pulse)	VF	1.0	Vdc
Maximum Instantaneous Forward Voltage Drop (IF = 100 Adc, TC= - 55°C, 300-500µs Pulse)	VF	1.1	Vdc
Maximum Reverse Leakage Current (Rated VR, TC=25°C)	IR	250*	µA
Maximum Reverse Leakage Current (Rated VR, TC=100°C)	IR	20*	mA
Maximum Junction Capacitance (VR = 10 Vdc, TA=25°C)	CJ	400	pf
Reverse Recovery Time (IF=500mA, IR=1 A, IRR=250mA)	trr	75	nsec

\* Lower Leakage Devices Available from Factory.

**CASE OUTLINE: DO-5**



**TYPICAL OPERATING CURVES**

TA=25°C Unless otherwise specified

