

LOW-PROFILE FLEX-FIT™ COMPLIANT CONTACT HEADERS

.100" x .100" CENTERS



PHYSICAL PROPERTIES

INSULATION MATERIAL: Glass filled thermoplastic rated UL 94V-0

COLOR: Blue

CONTACT MATERIAL: Phosphor bronze with 30µ inches min. gold over 50µ inches min. nickel in contact zone; tin/lead over nickel in termination area.

PCB THICKNESS ACCOMMODATED: .062" - .125"

ELECTRICAL PROPERTIES

CURRENT RATING: 1 Amp

INSULATION RESISTANCE: >1 x 10⁹ Ohms @ 500 VDC

DIELECTRIC STRENGTH: >1000 VRMS @ sea level

ENVIRONMENTAL PROPERTIES

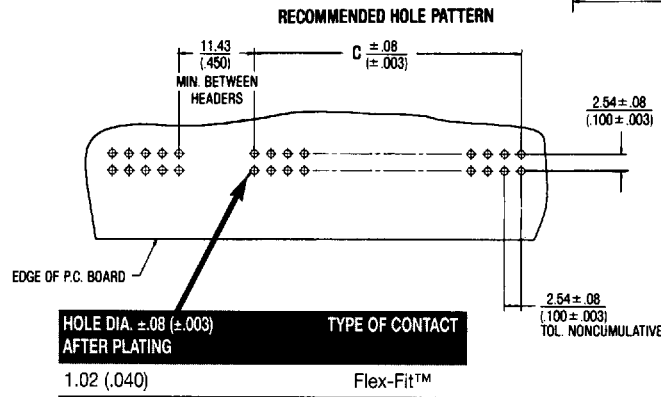
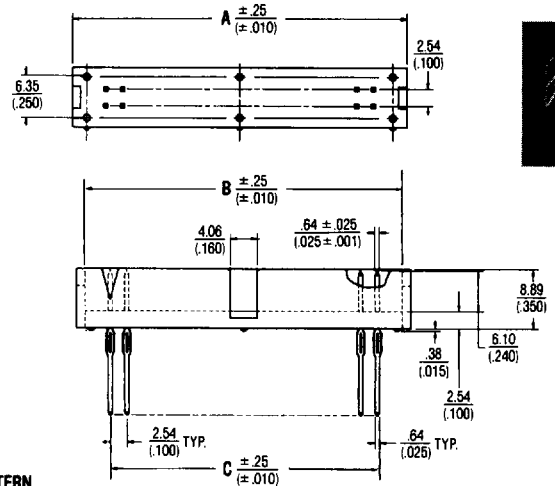
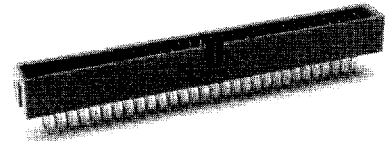
TEMPERATURE RATING: -55°C TO 125°C

MATING CONNECTORS

FEMALE SOCKETS: See pages 8-10

APPLICATION TOOLING

889-H7XX (XX = # positions)



Ordering Information

CATALOG NUMBERS	NO. OF POS.	DIMENSIONS IN MM (INCHES)		
		A	B	C
609-10700-2	10	20.32 (0.800)	17.78 (.700)	10.16 (0.400)
609-14700-2	14	25.40 (1.000)	22.86 (0.900)	15.24 (.600)
609-16700-2	16	27.94 (1.100)	25.40 (1.000)	17.78 (0.700)
609-20700-2	20	33.02 (1.300)	30.48 (1.200)	22.86 (0.900)
609-24700-2	24	38.10 (1.500)	35.56 (1.400)	27.94 (1.100)
609-26700-2	26	40.64 (1.600)	38.10 (1.500)	30.48 (1.200)
609-34700-2	34	50.80 (2.000)	48.26 (1.900)	40.64 (1.600)
609-36700-2	36	53.34 (2.100)	50.80 (2.000)	46.18 (1.700)
609-40700-2	40	58.42 (2.300)	55.88 (2.200)	48.26 (1.900)
609-44700-2	44	63.50 (2.500)	60.95 (2.400)	53.34 (2.100)
609-50700-2	50	71.12 (2.800)	68.58 (2.700)	60.96 (2.400)
609-56700-2	56	78.74 (3.100)	76.20 (3.000)	68.58 (2.700)
609-60700-2	60	83.82 (3.300)	81.28 (3.200)	73.66 (2.900)
609-64700-2	64	88.90 (3.500)	86.36 (3.400)	78.74 (3.100)