

Ultrafast Rectifier

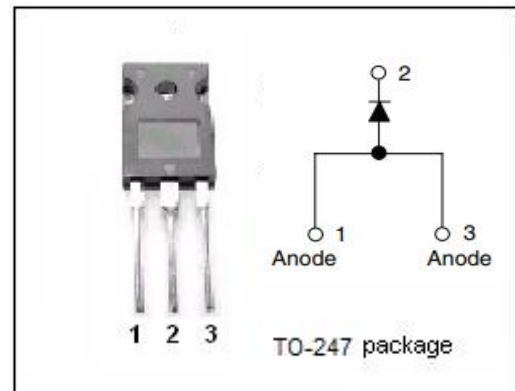
60APU04

FEATURES

- Guarding for over voltage protection
- Dual rectifier construction, positive center tap
- Low forward voltage, high efficiency
- Minimum Lot-to-Lot variations for robust device performance and reliable operation

APPLICATIONS

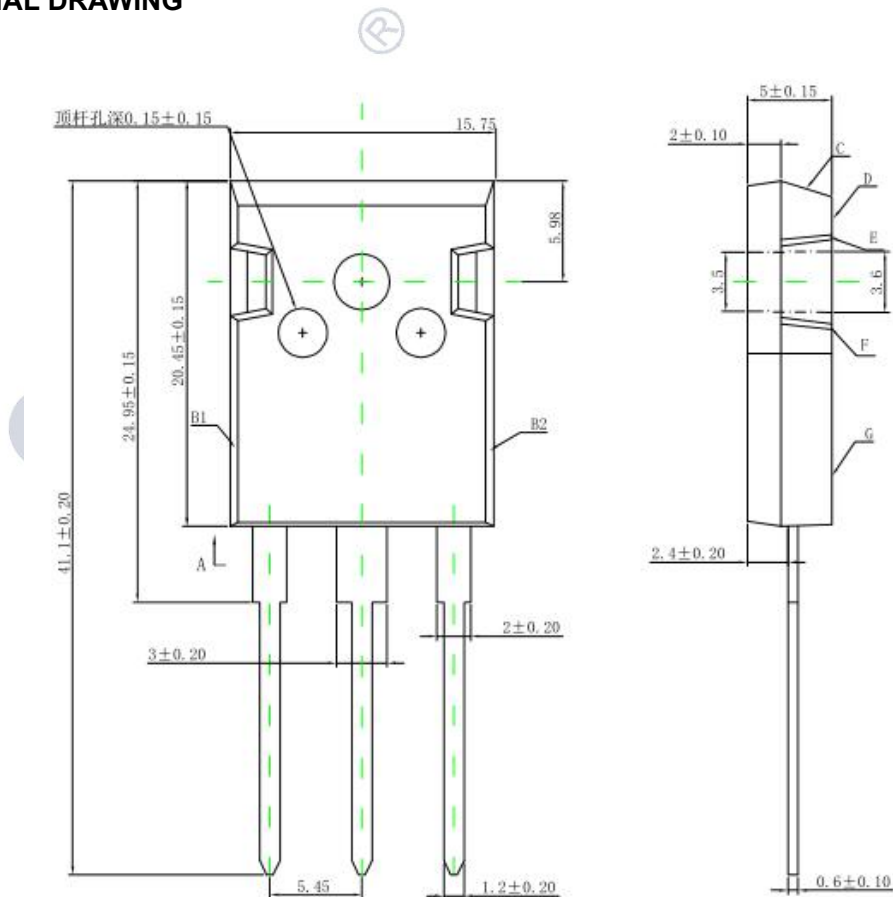
- These devices are ideally suited for HF welding, power converters and other applications where switching losses are not significant portion of the total losses.

ABSOLUTE MAXIMUM RATINGS($T_a=25^{\circ}\text{C}$)

SYMBOL	PARAMETER	VALUE	UNIT
V_{RRM} V_{RWM} V_R	Peak Repetitive Reverse Voltage Working Peak Reverse Voltage DC Blocking Voltage	400	V
$I_{F(AV)}$	Average Rectified Forward Current	60	A
I_{FSM}	Non-repetitive Peak Surge Current	600	A
T_J	Max. Junction Temperature	175	$^{\circ}\text{C}$
T_{stg}	Storage Temperature Range	-55~175	$^{\circ}\text{C}$

Ultrafast Rectifier
60APU04
ELECTRICAL CHARACTERISTICS($T_a=25^{\circ}\text{C}$) (Pulse Test: Pulse Width=300 μs , Duty Cycle $\leq 2\%$)

SYMBOL	PARAMETER	CONDITIONS	MAX	UNIT
V_F	Maximum Instantaneous Forward Voltage	$I_F=60\text{A}$; $T_j=25^{\circ}\text{C}$	1.25	V
I_R	Maximum Instantaneous Reverse Current	$V_R=V_R$ Rated; $T_j=25^{\circ}\text{C}$	50	μA
t_{rr}	Maximum Reverse Recovery Time	$I_F=1.0\text{A}$;	60	ns

DIMENSIONAL DRAWING


**NOTICE:**

ISC reserves the rights to make changes of the content herein the datasheet at any time without notification. The information contained herein is presented only as a guide for the applications of our products.

ISC products are intended for usage in general electronic equipment. The products are not designed for use in equipment which require specialized quality and/or reliability, or in equipment which could have applications in hazardous environments, aerospace industry, or medical field. Please contact us if you intend our products to be used in these special applications.

ISC makes no warranty or guarantee regarding the suitability of its products for any particular purpose, nor does ISC assume any liability arising from the application or use of any products, and specifically disclaims any and all liability, including without limitation special, consequential or incidental damages.