

Power Line Filters Single Stage



62-LMF & LMB Series



Tested and found to be
IAW VDE 0565 Part 3

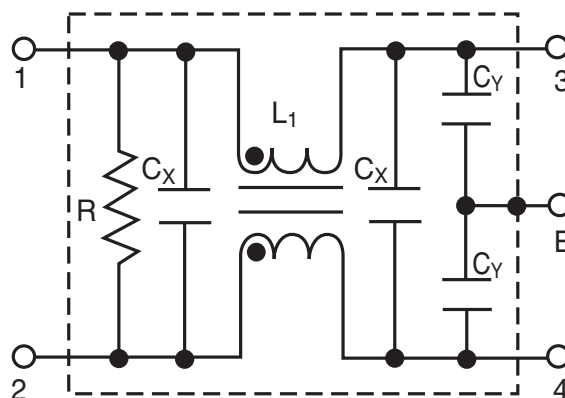
Features

- Space saving, compact designs
- Suitable for products that must conform to FCC and FTZ regulations
- Excellent filtering characteristics for both normal mode and common mode
- Structure provides effective shielding for noise generated externally and internally
- Metal case provides effective shielding
- Rugged construction
- Operating temperature: -25°C to +85°C (including temperature rise, see graph on page PF61)

Applications

- Digital equipment
- Office automation equipment, such as copy and fax machines
- Computers and peripherals
- Instrumentation and controls

Circuit Diagram



Specifications

| Model* | Rated Voltage (@ 50/60Hz) | Rated Current | Leakage Current (Max.) | Capacitance | | Inductance (L ₁) | Temperature Rise (Max.) |
|-----------------|------------------------------|---------------|---------------------------|----------------|----------------|---------------------------------|-------------------------|
| | | | | C _Y | C _X | | |
| 62-LMB-030-5-11 | 250VAC | 3A | 0.50mA | 3300pF | 0.1uF | 14mH | 45°C |
| 62-LMF-030-5-11 | | 5A | | | 0.1uF & .22uF | 7.0mH | |
| 62-LMB-050-5-11 | | | | | 8A | .22uF | |
| 62-LMF-050-5-11 | | 10A | | | | .33uF | |
| 62-LMB-080-5-11 | | | | | .33uF | 2.2mH | |
| 62-LMF-080-5-11 | | | | | | | |
| 62-LMB-100-5-11 | | | | | | | |
| 62-LMF-100-5-11 | | | | | | | |

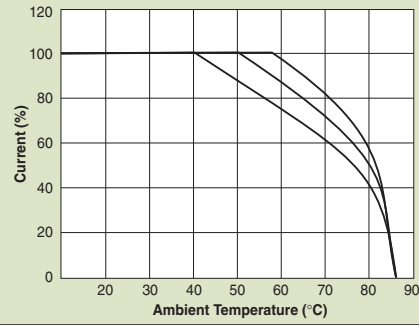
Note: Test voltage: 1500VAC one minute, line to ground
 Insulation resistance: 300 Mohm min. at 500VDC
 Voltage drop: 1V max. at rated current
 Discharge time: 0.4 sec. max.
 Weight: 5.3 ounces (150 grams)

*62-LMF - designates Fast-on terminals
 62-LMB - designates Bolt-in terminals
 62-LML - wire lead in/outputs also available

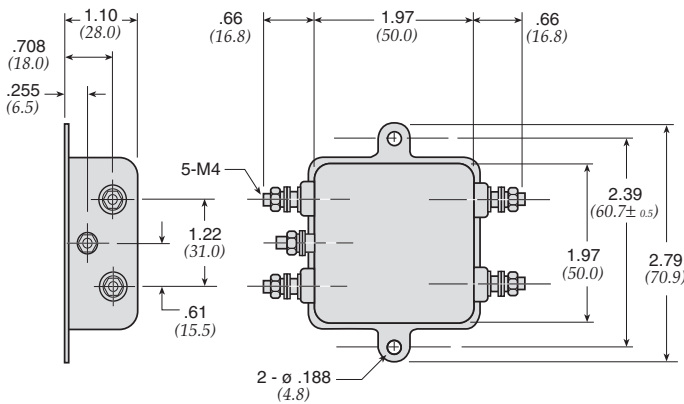
Power Line Filters Single Stage

62-LMF & LMB Series

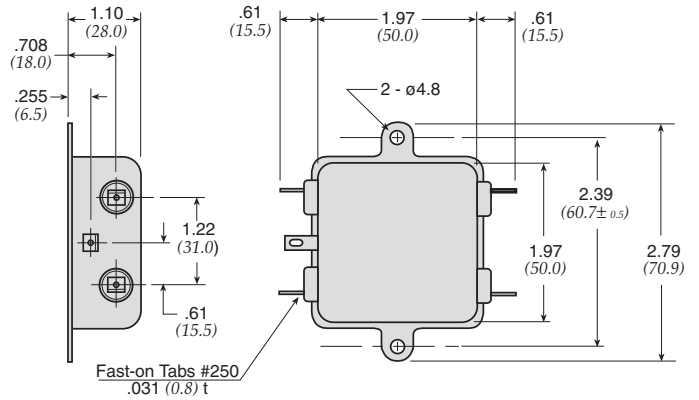
Temperature Characteristics



62-LMB

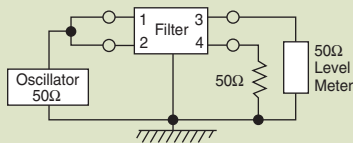


62-LMF

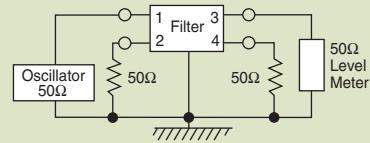


Dimensions in inches (mm)

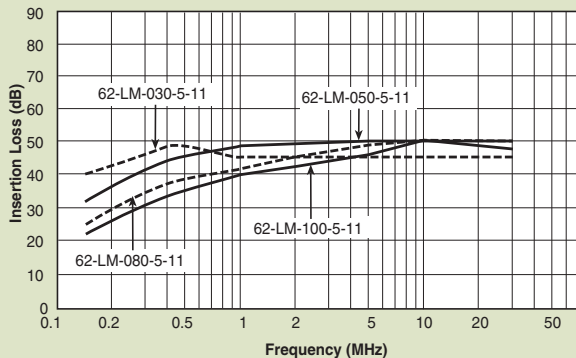
Common Mode



Normal Mode



62-LMF & LMB



62-LMF & LMB

