

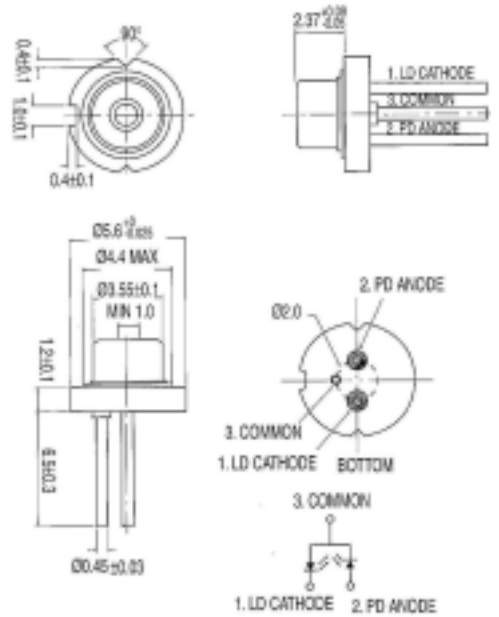


**DB LECTRO**  
COMPOSANTS ÉLECTRONIQUES  
ELECTRONIC COMPONENTS

**6350-1271-AU 635nm 5 mW Laser Diodes AUTO PACKAGE**

Specifications

Device Laser Diode  
Package Type TO-18( 5.6mm)



Absolute Maximum Ratings(Tc=25 )

Characteristics	Symbols	Ratings	Units
Optical Output	Po	<b>7</b>	mW
Reverse Voltage	Laser	<b>2</b>	V
	PIN PD	<b>10</b>	V
Operating Temperature	Top	-10 +40	
Storage Temperature	Tstg	-40 +85	

Electrical and optical Characteristics(Tc=25 )

Characteristics	Symbols	Conditions	Min.	Typ.	Max.	Units
Threshold Current	Ith	-	-	<b>25</b>	<b>35</b>	mA
Operating Current	Iop	Po=5mW	-	<b>35</b>	<b>40</b>	mA
Operating Voltage	Vop	Po=5mW	-	<b>2.3</b>	<b>2.7</b>	Volts
Slope Efficiency		2mW	<b>0.35</b>	<b>0.55</b>	<b>1.0</b>	mW/mA
		I(5mW)-I(3mW)				
Monitor Current	Im	Po=5mW	-	<b>0.05</b>	<b>0.8</b>	mA
Beam Divergence (FWHM)	Parallel	Po=5mW	<b>6</b>	<b>8</b>	<b>15</b>	deg.
	Prependicular	Po=5mW	<b>22</b>	<b>35</b>	<b>40</b>	deg.
Parallel Deviation Angle	//	Po=5mW	<b>-3</b>	-	<b>3</b>	deg.
Perpendicular Deviation Angle		Po=5mW	<b>-3</b>	-	<b>3</b>	deg.
Emission Point Accuracy	X	Po=5mW	<b>-80</b>	-	<b>80</b>	µm
	Y	Po=5mW	<b>-80</b>	-	<b>80</b>	µm
	Z	Po=5mW	<b>-80</b>	-	<b>80</b>	µm
Lasing Wavelength		Po=5mW	<b>630</b>	<b>637</b>	<b>640</b>	nm

Im is sorting by custom's need

// and are defined as the angle within which the intensity is 50% of the peak value.

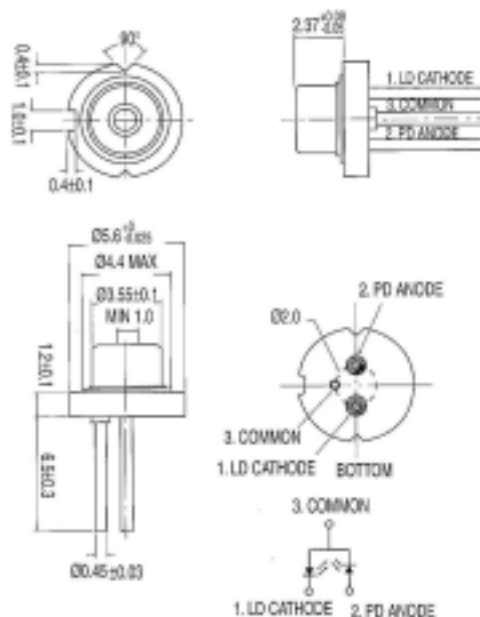


**DB LECTRO**<sup>z</sup>  
COMPOSANTS ÉLECTRONIQUES  
ELECTRONIC COMPONENTS

### 6350-1271-AU-50 635nm 5 mW Laser Diodes AUTO PACKAGE

#### Specifications

Device Laser Diode  
Package Type TO-18( 5.6mm)



#### Absolute Maximum Ratings(Tc=25 )

Characteristics	Symbols	Ratings	Units
Optical Output	Po	<b>7</b>	mW
Reverse Voltage	Laser	Vr	<b>2</b>
	PIN PD	Vr(PIN)	<b>10</b>
Operating Temperature	Top	-10 +50	
Storage Temperature	Tstg	-40 +85	

#### Electrical and optical Characteristics(Tc=25 )

Characteristics	Symbols	Conditions	Min.	Typ.	Max.	Units
Threshold Current	Ith	-	-	<b>25</b>	<b>35</b>	mA
Operating Current	Iop	Po=5mW	-	<b>35</b>	<b>45</b>	mA
Operating Voltage	Vop	Po=5mW	-	<b>2.3</b>	<b>2.7</b>	Volts
Slope Efficiency		2mW	<b>0.35</b>	<b>0.55</b>	<b>1.0</b>	mW/mA
		I(5mW)-I(3mW)				
Monitor Current	Im	Po=5mW	-	<b>0.05</b>	<b>0.8</b>	mA
Beam Divergence (FWHM)	Parallel	Po=5mW	<b>6</b>	<b>8</b>	<b>15</b>	deg.
	Prependicular	Po=5mW	<b>22</b>	<b>35</b>	<b>40</b>	deg.
Parallel Deviation Angle	//	Po=5mW	<b>-3</b>	-	<b>3</b>	deg.
Perpendicular Deviation Angle		Po=5mW	<b>-3</b>	-	<b>3</b>	deg.
Emission Point Accuracy	X	Po=5mW	<b>-80</b>	-	<b>80</b>	μm
	Y	Po=5mW	<b>-80</b>	-	<b>80</b>	μm
	Z	Po=5mW	<b>-80</b>	-	<b>80</b>	μm
Lasing Wavelength		Po=5mW	<b>630</b>	<b>637</b>	<b>640</b>	nm

Im is sorting by custom's need

// and are defined as the angle within which the intensity is 50% of the peak value.