

$I_{F(AV)} = 60\text{Amp}$
 $V_R = 100\text{V}$

Major Ratings and Characteristics


Characteristics	Values	Units
$I_{F(AV)}$ Rectangular waveform	60	A
V_{RRM}	100	V
I_{FSM} @tp = 5 μ s sine	2200	A
V_F @30 Apk, $T_J = 125^\circ\text{C}$ (per leg)	0.64	V
T_J range	-55 to 175	$^\circ\text{C}$

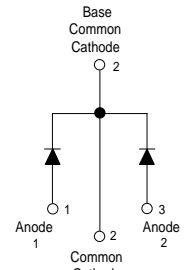
Description/ Features

The 63CPQ100PbF center tap Schottky rectifier series has been optimized for low reverse leakage at high temperature. The proprietary barrier technology allows for reliable operation up to 175° C junction temperature. Typical applications are in switching power supplies, converters, free-wheeling diodes, and reverse battery protection.

- 175° C T_J operation
- Center tap TO-247 package
- High purity, high temperature epoxy encapsulation for enhanced mechanical strength and moisture resistance
- Low forward voltage drop
- High frequency operation
- Guard ring for enhanced ruggedness and long term reliability
- Lead-Free ("PbF" suffix)

Case Styles





TO-247AC

Voltage Ratings

Part number	63CPQ100PbF
V_R Max. DC Reverse Voltage (V)	100
V_{RWM} Max. Working Peak Reverse Voltage (V)	

Absolute Maximum Ratings

Parameters	63CPQ	Units	Conditions
$I_{F(AV)}$ Max. Average Forward Current (Per Leg) * See Fig. 5 (Per Device)	30	A	50% duty cycle @ $T_C = 153^\circ\text{C}$, rectangular wave form
	60		
I_{FSM} Max. Peak One Cycle Non-Repetitive Surge Current (Per Leg) * See Fig. 7	2200	A	5 μs Sine or 3 μs Rect. pulse 10ms Sine or 6ms Rect. pulse Following any rated load condition and with rated V_{RWM} applied
	410		
E_{AS} Non-Repetitive Avalanche Energy (Per Leg)	15	mJ	$T_J = 25^\circ\text{C}$, $I_{AS} = 1$ Amps, $L = 30$ mH
I_{AR} Repetitive Avalanche Current (Per Leg)	1	A	Current decaying linearly to zero in 1 μsec Frequency limited by T_J max. $V_A = 1.5 \times V_R$ typical

Electrical Specifications

Parameters	63CPQ	Units	Conditions
V_{FM} Max. Forward Voltage Drop (Per Leg) * See Fig. 1 (1)	0.77	V	@ 30A $T_J = 25^\circ\text{C}$
	0.92	V	@ 60A
	0.64	V	@ 30A $T_J = 125^\circ\text{C}$
	0.76	V	@ 60A
I_{RM} Max. Reverse Leakage Current (Per Leg) * See Fig. 2 (1)	0.3	mA	$T_J = 25^\circ\text{C}$ $V_R = \text{rated } V_R$
	25	mA	$T_J = 125^\circ\text{C}$
$V_{F(TO)}$ Threshold Voltage	0.38	V	$T_J = T_J \text{ max.}$
r_t Forward Slope Resistance	5.75	mW	
C_T Max. Junction Capacitance (Per Leg)	1300	pF	$V_R = 5V_{DC}$ (test signal range 100Khz to 1Mhz) 25°C
L_S Typical Series Inductance (Per Leg)	7.5	nH	Measured lead to lead 5mm from package body
dv/dt Max. Voltage Rate of Change	10000	V/ μs	(Rated V_R)

(1) Pulse Width < 300 μs , Duty Cycle <2%

Thermal-Mechanical Specifications

Parameters	63CPQ	Units	Conditions
T_J Max. Junction Temperature Range	-55 to 175	$^\circ\text{C}$	
T_{stg} Max. Storage Temperature Range	-55 to 175	$^\circ\text{C}$	
R_{thJC} Max. Thermal Resistance Junction to Case (Per Leg) * See Fig. 4	0.8	$^\circ\text{C/W}$	DC operation
R_{thJC} Max. Thermal Resistance Junction to Case (Per Package)	0.4	$^\circ\text{C/W}$	DC operation
R_{thCS} Typical Thermal Resistance, Case to Heatsink	0.25	$^\circ\text{C/W}$	Mounting surface, smooth and greased
wt Approximate Weight	6 (0.21)	g (oz.)	
T Mounting Torque	Min. 6 (5)	Kg-cm (lbf-in)	
	Max. 12 (10)		
Case Style	TO-247AC (TO-3P)	JEDEC	
Marking Device	63CPQ100		

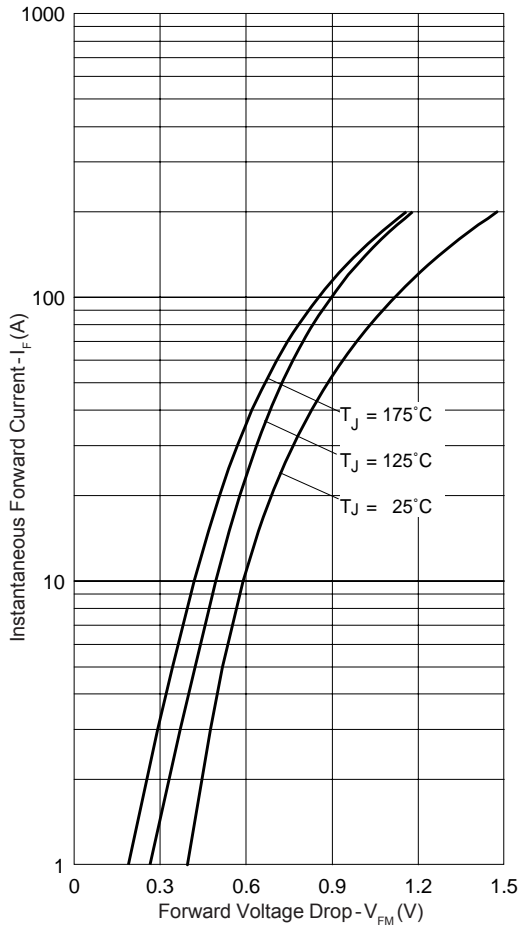


Fig.1 - Max. Forward Voltage Drop Characteristics

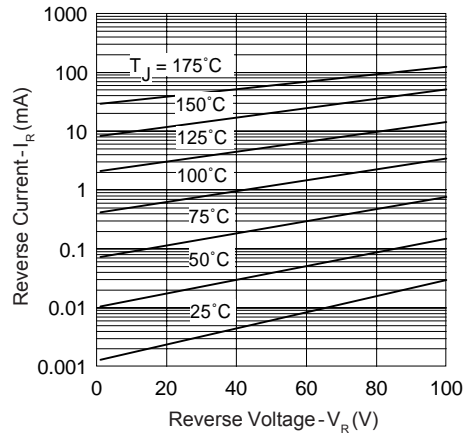


Fig.2 - Typical Values Of Reverse Current Vs. Reverse Voltage

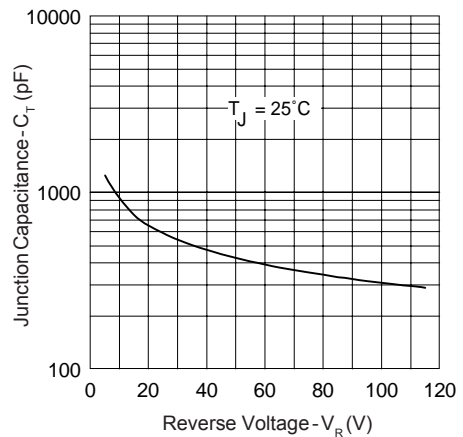


Fig.3 - Typical Junction Capacitance Vs. Reverse Voltage

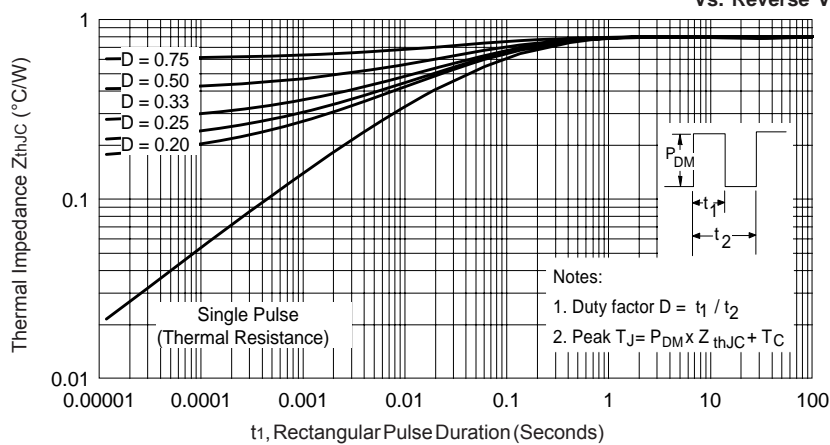


Fig.4 - Max. Thermal Impedance Z_{thJC} Characteristics

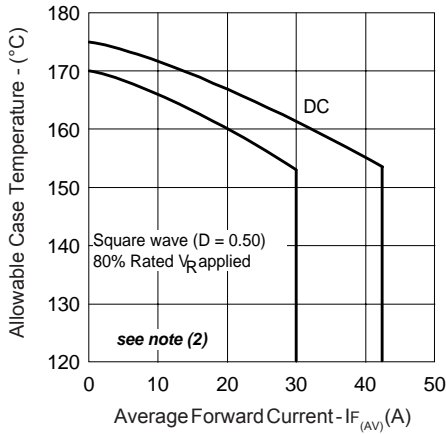


Fig. 5 - Max. Allowable Case Temperature Vs. Average Forward Current

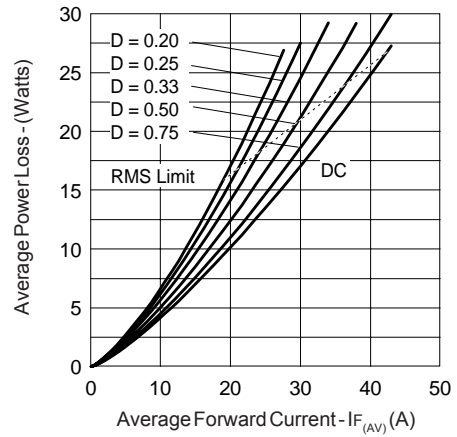


Fig. 6 - Forward Power Loss Characteristics

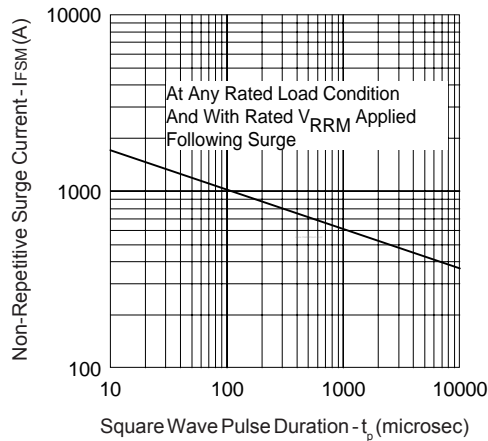


Fig. 7 - Max. Non-Repetitive Surge Current

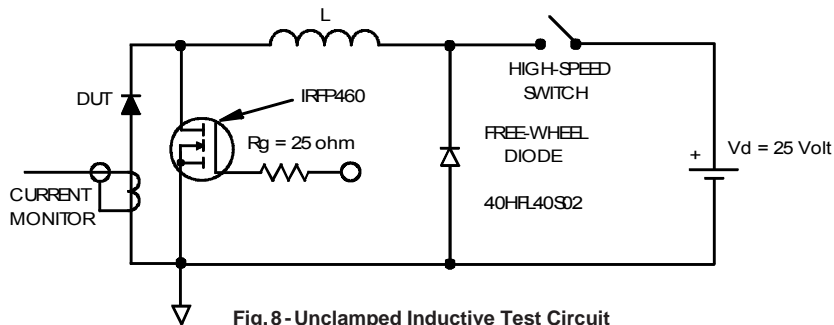
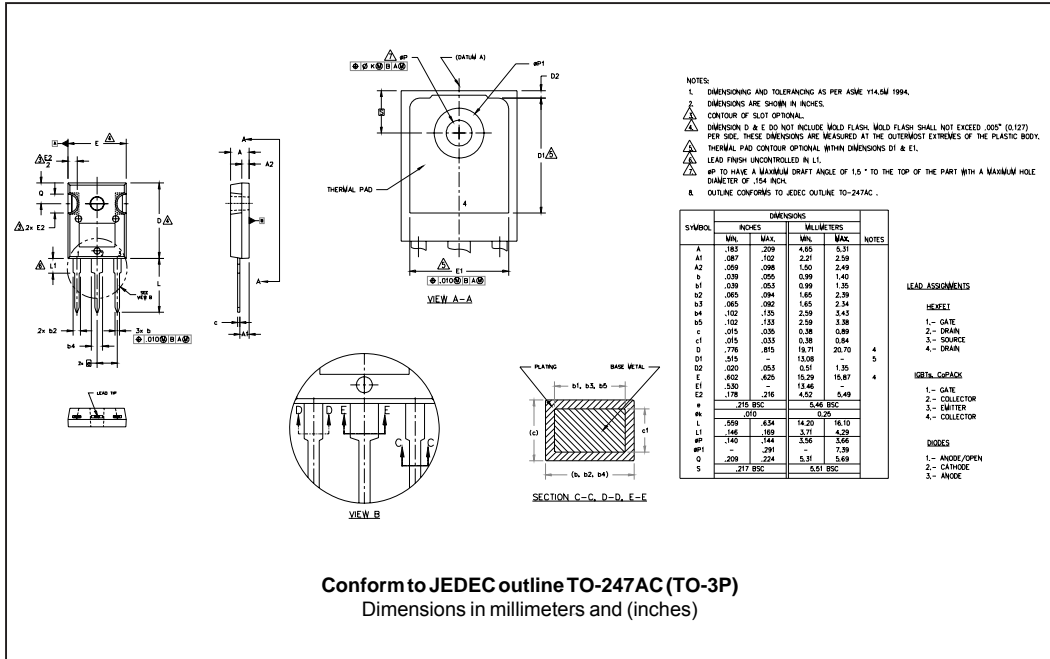


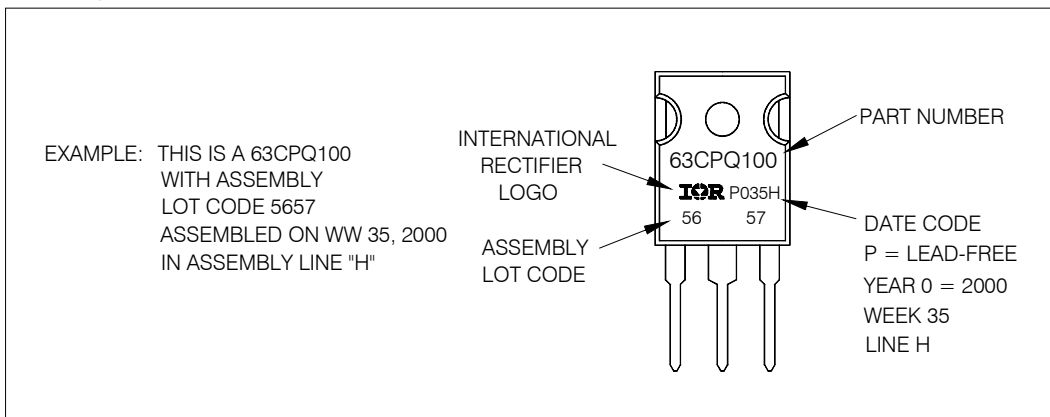
Fig. 8 - Unclamped Inductive Test Circuit

- (2) Formula used: $T_C = T_J - (Pd + Pd_{REV}) \times R_{thJC}$;
 $Pd = \text{Forward Power Loss} = I_{F(AV)} \times V_{FM} @ (I_{F(AV)} / D)$ (see Fig. 6);
 $Pd_{REV} = \text{Inverse Power Loss} = V_{R1} \times I_R (1 - D); I_R @ V_{R1} = 80\% \text{ rated } V_R$

Outline Table



Marking Information



Ordering Information Table

Device Code													
	<table border="1" style="margin: auto;"> <tr> <td style="padding: 5px;">63</td> <td style="padding: 5px;">C</td> <td style="padding: 5px;">P</td> <td style="padding: 5px;">Q</td> <td style="padding: 5px;">100</td> <td style="padding: 5px;">PbF</td> </tr> <tr> <td style="text-align: center;">①</td> <td style="text-align: center;">②</td> <td style="text-align: center;">③</td> <td style="text-align: center;">④</td> <td style="text-align: center;">⑤</td> <td style="text-align: center;">⑥</td> </tr> </table>	63	C	P	Q	100	PbF	①	②	③	④	⑤	⑥
63	C	P	Q	100	PbF								
①	②	③	④	⑤	⑥								
1	- Current Rating (60A)												
2	- Circuit Configuration C = Common Cathode												
3	- Package P = TO-247												
4	- Schottky "Q" Series												
5	- Voltage Code												
6	- • none = Standard Production • PbF = Lead-Free												
Tube Standard Pack Quantity : 25 pieces													

Data and specifications subject to change without notice.
This product has been designed and qualified for Industrial Level and Lead-Free.
Qualification Standards can be found on IR's Web site.

International
IR Rectifier

IR WORLD HEADQUARTERS: 233 Kansas St., El Segundo, California 90245, USA Tel: (310) 252-7105
TAC Fax: (310) 252-7309
Visit us at www.irf.com for sales contact information. 11/06