

4.27 Analog Output Module SM 332; AO 4 × 12 bits; (6ES7 332-5HD01-0AB0)

Order number

6ES7 332-5HD01-0AB0

Characteristics

The analog output module SM 332; AO 4 × 12 bits has the following characteristic features:

- 4 outputs in 4 channel groups
- The individual output channels can be programmed as
 - Voltage outputs
 - Current outputs
- Resolution 12 bits
- Programmable diagnostics
- Programmable diagnostic interrupt
- Programmable substitute value output
- Isolated against backplane bus interface and load voltage

**Terminal connection and block diagram of analog output module SM 332;
AO 4 × 12 bits**

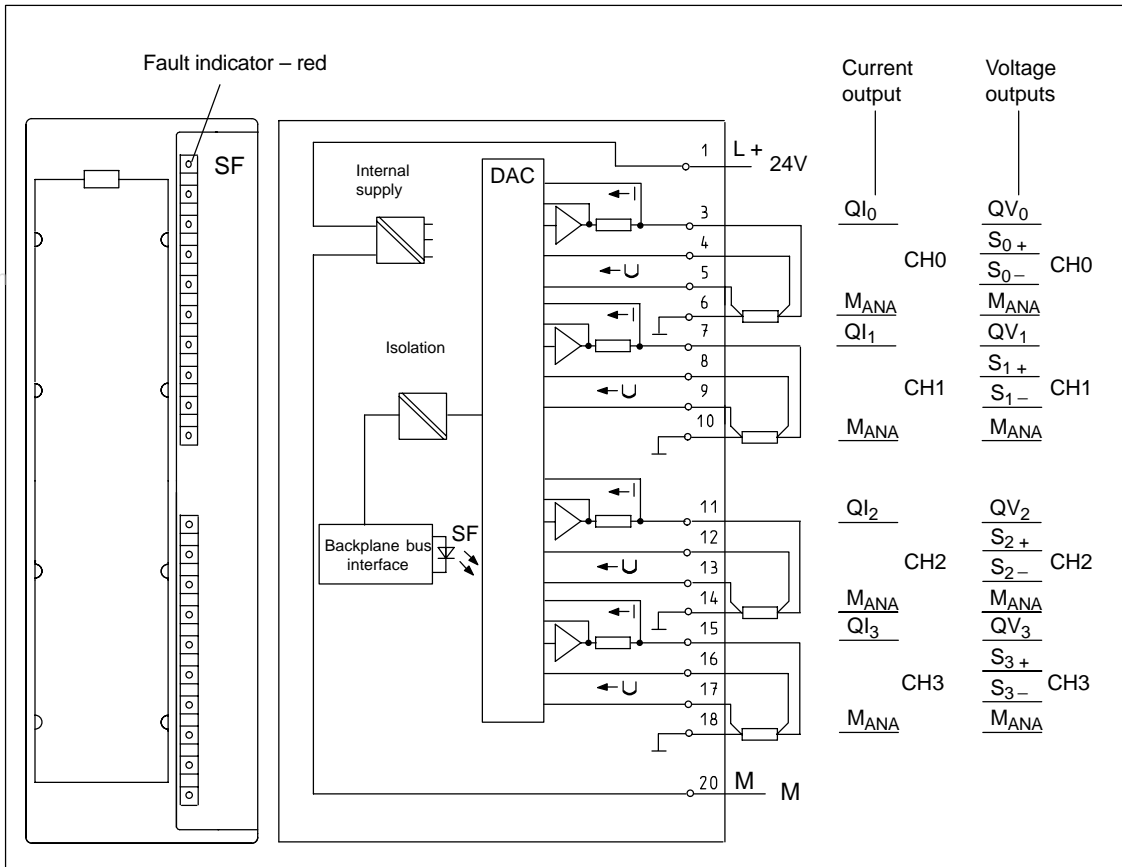


Figure 4-50 Module View and Block Diagram of the Analog Output Module SM 332; AO 4 × 12 bits

Technical specifications of the SM 332; AO 4 × 12 bits

Dimensions and Weight		Analog Value Generation	
Dimensions W × H × D (in millimeters)	40 × 125 × 117	Resolution including sign	
Weight	Approx. 220 g	<ul style="list-style-type: none"> ± 10 V; ± 20 mA; 11 bits + sign 4 to 20 mA; 1 to 5 V 	
Data for Specific Module		<ul style="list-style-type: none"> 0 to 10 V; 0 to 20 mA 	12 bits
Supports clocked operation	No	Conversion time (per channel)	max. 0.8 ms
Number of outputs	4	Settling time	
Length of cable		<ul style="list-style-type: none"> For resistive load 	0.2 ms
<ul style="list-style-type: none"> Shielded 	max. 200 m	<ul style="list-style-type: none"> For capacitive load 	3.3 ms
		<ul style="list-style-type: none"> For inductive load 	0.5 ms (1 mH) 3.3 ms (10 mH)
Voltages, Currents, Potentials		Suppression of Interference, Limits of Error	
Rated load voltage L +	24 VDC	Crosstalk between the outputs	> 40 dB
<ul style="list-style-type: none"> Reverse polarity protection 	Yes	Operational limit (in the entire temperature range, with reference to the output range)	
Isolation		<ul style="list-style-type: none"> Voltage outputs 	± 0.5 %
<ul style="list-style-type: none"> Between channels and backplane bus 	Yes	<ul style="list-style-type: none"> Current outputs 	± 0.6 %
<ul style="list-style-type: none"> Between channels and power supply of the electronics 	Yes	Basic error (operational limit at 25° C, referred to output range)	
<ul style="list-style-type: none"> Between the channels 	No	<ul style="list-style-type: none"> Voltage outputs 	± 0.4 %
<ul style="list-style-type: none"> Between channels and load voltage L+ 	Yes	<ul style="list-style-type: none"> Current outputs 	± 0.5 %
Permitted potential difference		Temperature error (with reference to the output range)	± 0.002 %/K
<ul style="list-style-type: none"> Between S– and M_{ANA} (U_{CM}) 	3 VDC	Linearity error (with reference to the output range)	± 0.05 %
<ul style="list-style-type: none"> Between M_{ANA} and M_{internal} (U_{ISO}) 	75 VDC / 60 VAC	Repeatability (in steady state at 25 °C, referred to output range)	± 0.05 %
Insulation tested with	500 VDC	Output ripple; range 0 to 50 kHz (referred to output range)	± 0.05 %
Current consumption		Status, Interrupts, Diagnostics	
<ul style="list-style-type: none"> From the backplane bus 	max. 60 mA	Interrupts	
<ul style="list-style-type: none"> From the load voltage L+ (no load) 	max. 240 mA	<ul style="list-style-type: none"> Diagnostic interrupt 	Parameters can be assigned
Power dissipation of the module	typ. 3 W	Diagnostic functions	Programmable
		<ul style="list-style-type: none"> Group error display 	Red LED (SF)
		<ul style="list-style-type: none"> Diagnostic information readable 	Possible
		Substitute value can be applied	Yes, programmable

Data for Selecting an Actuator		Destruction limit against voltages/currents applied from outside	
Output ranges (rated values)			
• Voltage	±10 V 0 to 10 V 1 to 5 V	• Voltage at outputs to M _{ANA}	max. 18 V continuous; 75 V for max. 1 s (duty factor 1:20)
• Current	±20 mA 0 to 20 mA 4 to 20 mA	• Current	max. 50 mA DC
Load resistance (in the nominal range of the output)		Connection of actuators	
• For voltage outputs	min. 1 kΩ	• For voltage output	
– Capacitive load	max. 1 μF	– Four-conductor connection (measuring circuit)	Possible
• For current outputs	max. 500 Ω	• For current output	
– At U _{CM} < 1V	max. 600 Ω	– Two-conductor connection	Possible
– Inductive load	max. 10 mH		
Voltage outputs			
• Short-circuit protection	Yes		
• Short-circuit current	max. 25 mA		
Current outputs			
• No-load voltage	max. 18 V		

4.27.1 Commissioning the SM 332; AO 4 × 12 bits

Note

When switching on and off the rated load voltage (L+), wrong intermediate values can occur across the output for approximately 10 ms.

Parameter

You will find a description of the general procedure for assigning parameters to analog modules in Section 4.7.

You will find an overview of the programmable parameters and their default values in Table 4-42, on page 4-47.

Assigning parameters to channels

You can configure each output channel of the SM 332; AO 4 × 12 bits individually. You can thus assign separate parameters for each output channel.

When you set the parameters with SFCs in the user program, the parameters are assigned to channel groups. Every output channel of the SM 332; AO 4 × 12 bits is assigned to a channel group in this instance – in other words, for example output channel 0 = channel group 0.

Note

If you modify output ranges when the analog output module SM 332; AO 4 × 12 bits is in operation, incorrect intermediate values may arise across the output.

Diagnostics

You will find the diagnostic messages that are grouped under the "group diagnosis" parameter in Table 4-47, on page 4-79.

4.27.2 Output Ranges of the Analog Output Module SM 332; AO 4 × 12 bits

Connecting the analog outputs

You can connect the outputs as voltage or current outputs, or disable them. You perform connection of the outputs with the "output type" parameter in *STEP 7*.

Unused channels

So that unused output channels of the SM 332; AO 4 × 12 bits remain de-energized, you must set the "output type" parameter to "disabled" and leave the terminal open.

Output ranges

You program the output ranges for voltage and current outputs in *STEP 7*.

Table 4-81 Output Ranges of the Analog Output Module SM 332; AO 4 × 12 bits

Selected Type of Output	Output Range	Description
Voltage	1 to 5 V 0 to 10 V ± 10 V	You will find the digital analog values in Section 4.3.2 in the voltage and current output ranges
Current	0 to 20 mA 4 to 20 mA ± 20 mA	

www.DataSheet4U.com

Default settings

The default settings of the module are "Voltage" for the output type and "± 10 V" for the output range. You can use this combination of output type and output range without parameterizing the SM 332; AO 4 × 12 bits in *STEP 7*.

Wire-break check

The analog output module SM 332; AO 4 × 12 bits carries out a wire-break check only for current outputs.

Short-circuit test

The analog output module SM 332; AO 4 × 12 bits carries out a short-circuit test only for voltage outputs.

Substitute values

You can configure the SM 332; AO 4 × 12 bits for the CPU operating mode STOP as follows: Outputs De-energized, Hold Last Value or Inject Substitute Values. If you inject substitute values, they must be within the output range.

Special characteristic of substitute values for output ranges 1 to 5 V and 4 to 20 mA

The following special characteristic applies to output ranges 1 to 5 V and 4 to 20 mA:

You have to set the substitute value $E500_H$ for the output to become de-energized (refer to Tables 4-35 and 4-37 on pages 4-29 and 4-30).