

6MBP30VSC060-50

IGBT Modules

IGBT MODULE (V series)

600V / 30A / IPM

■ Features

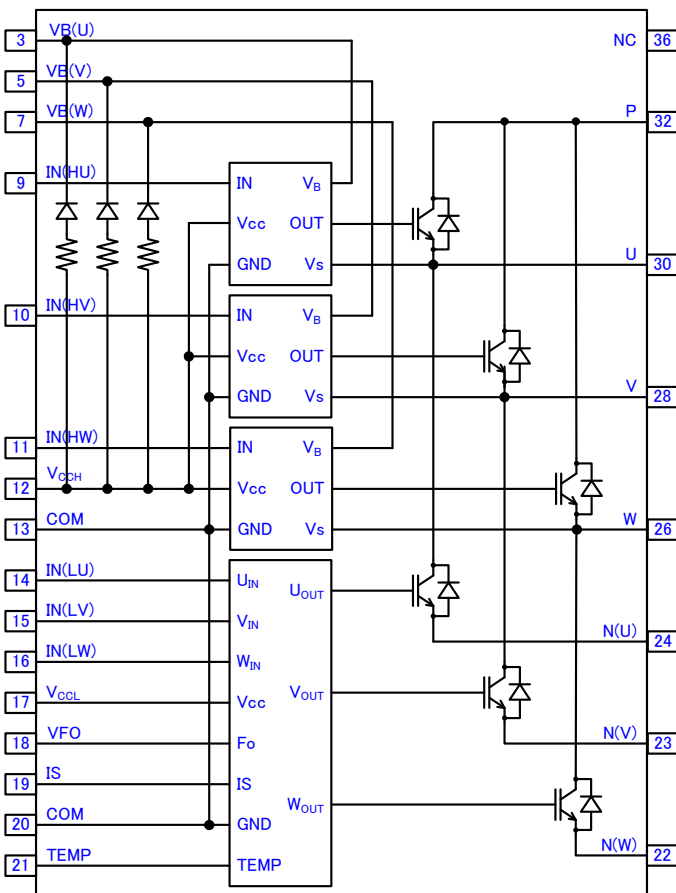
- Low-side IGBTs are separate emitter type
- Short circuit protection
- Temperature sensor output function
- Under voltage protection
- Fault signal output function
- Input interface : TTL (3.3V/5V) Active high logic

■ Applications

AC 100 ~ 240V three phase inverter drive for small power
 AC motor drives (such as compressor motor drive for air conditioner, compressor motor drive for heat pump applications, fan motor drive, ventilator motor drive)



■ Terminal assign and Internal circuit



Pin No.	Pin Name	Pin Description
3	VB (U)	High-side bias voltage for U-phase IGBT driving
5	VB (V)	High-side bias voltage for V-phase IGBT driving
7	VB (W)	High-side bias voltage for W-phase IGBT driving
9	IN (HU)	Signal input for high side U-phase
10	IN (HV)	Signal input for high side V-phase
11	IN (HW)	Signal input for high side W-phase
12	V _{cch}	High-side control supply
13	COM	Common supply ground
14	IN (LU)	Signal input for low side U-phase
15	IN (LV)	Signal input for low side V-phase
16	IN (LW)	Signal input for low side W-phase
17	V _{ccl}	Low-side control supply
18	VFO	Fault output
19	IS	Over current sensing voltage input
20	COM	Common supply ground
21	TEMP	Temperature sensor output
22	N (W)	Negative bus voltage input for W-phase
23	N (V)	Negative bus voltage input for V-phase
24	N (U)	Negative bus voltage input for U-phase
26	W	Motor W-phase output
28	V	Motor V-phase output
30	U	Motor U-phase output
32	P	Positive bus voltage input
36	NC	No Connection

■ Absolute Maximum Ratings at $T_j=25^{\circ}\text{C}$, $V_{cc}=15\text{V}$ (unless otherwise specified)

Items	Symbol	Characteristics	Unit	Remarks	
Inverter block	DC Bus Voltage	V_{DC}	450	V	Note *1
	Bus Voltage (Surge)	$V_{DC(Surge)}$	500	V	Note *1
	Collector-Emitter Voltage	V_{CES}	600	V	
	Collector Current	$I_{C@25}$	30	A	Note *2
	Peak Collector Current	$I_{CP@25}$	90	A	$V_{CC} \geq 15\text{V}$, $V_B(*) \geq 15\text{V}$ Note *2, *3, *4
			60	A	$V_{CC} \geq 13\text{V}$, $V_B(*) \geq 13\text{V}$ Note *2, *3, *4
	Diode Forward current	$I_{F@25}$	30	A	Note *2
	Peak Diode Forward current	$I_{FP@25}$	90	A	Note *2
	Collector Power Dissipation	P_{D_IGBT}	80.1	W	per single IGBT $T_c=25^{\circ}\text{C}$
	FWD Power Dissipation	P_{D_FWD}	39.5	W	per single FWD $T_c=25^{\circ}\text{C}$
	Junction Temperature	T_j	150	$^{\circ}\text{C}$	
	Operating Junction Temperature (Under switching conditions)	T_{JOP}	-40 ~ +125	$^{\circ}\text{C}$	
	Control circuit block	High-side Supply Voltage	V_{CCH}	-0.5 ~ 20	V
Low-side Supply Voltage		V_{CCL}	-0.5 ~ 20	V	Applied between V_{CCL} -COM
High-side Bias Absolute Voltage		$V_{VB(U)-COM}$ $V_{VB(V)-COM}$ $V_{VB(W)-COM}$	-0.5 ~ 620	V	Applied between $VB(U)$ -COM, $VB(V)$ -COM, $VB(W)$ -COM
High-side Bias Voltage for IGBT gate driving		$V_{B(U)}$ $V_{B(V)}$ $V_{B(W)}$	-0.5 ~ 20	V	Note *4
High-side Bias offset Voltage		V_U V_V V_W	-5 ~ 600	V	Applied between U-COM, V-COM, W-COM Note *5
Input Signal Voltage		V_{IN}	-0.5 ~ $V_{CCH}+0.5$ -0.5 ~ $V_{CCL}+0.5$	V	Note *6
Input Signal Current		I_{IN}	3	mA	sink current
Fault Signal Voltage		V_{FO}	-0.5 ~ $V_{CCL}+0.5$	V	Applied between VFO-COM
Fault Signal Current		I_{FO}	1	mA	sink current
Over Current sensing Input Voltage		V_{IS}	-0.5 ~ $V_{CCL}+0.5$	V	Applied between IS-COM
Junction Temperature		T_j	150	$^{\circ}\text{C}$	
Operating Junction Temperature (Under switching conditions)		T_{JOP}	-40 ~ +125	$^{\circ}\text{C}$	
Operating Case Temperature		T_c	-40 ~ +125	$^{\circ}\text{C}$	See Fig.1-1
Storage Temperature	T_{sig}	-40 ~ +125	$^{\circ}\text{C}$		
Isolation Voltage	V_{iso}	AC 1500	Vrms	Sine wave, 60Hz $t=1\text{min}$, Note *7	

Note *1 : Applied between P-N(U), P-N(V), P-N(W)

Note *2 : Pulse width and duty were limited by T_{jmax} .

Note *3 : V_{CC} is applied between V_{CCH} -COM, V_{CCL} -COM.

Note *4 : $V_B(*)$ is applied between $VB(U)$ -U, $VB(V)$ -V, $VB(W)$ -W.

Note *5 : Over 13.0V applied between $VB(U)$ -U, $VB(V)$ -V, $VB(W)$ -W. This IPM module might make incorrect response if the high-side bias offset voltage is less than -5V.

Note *6 : Applied between $IN(HU)$ -COM, $IN(HV)$ -COM, $IN(HW)$ -COM, $IN(LU)$ -COM, $IN(LV)$ -COM, $IN(LW)$ -COM.

Note *7 : Applied between shorted all terminal and IMS (Insulated Metal Substrate).

■ Electrical Characteristics

● Inverter block ($T_j=25^\circ\text{C}$ unless otherwise specified)

Description	Symbol	Conditions	min.	typ.	max.	Unit	
Zero gate Voltage Collector current	I_{CES}	$V_{CE}=600\text{V}$ $V_{IN}=0\text{V}$	$T_j=25^\circ\text{C}$	-	-	1	mA
			$T_j=125^\circ\text{C}$	-	-	10	mA
Collector-Emitter saturation Voltage	$V_{CE(sat)}$	$V_{CC}=+15\text{V}$ $V_B(^*)=+15\text{V}$ $V_{IN}=5\text{V}$ $I_C=30\text{A}$, Note *4	$T_j=25^\circ\text{C}$	-	1.44	1.80	V
			$T_j=125^\circ\text{C}$	-	1.71	2.05	
FWD Forward voltage drop	V_F	$I_F=30\text{A}$ $V_{IN}=0\text{V}$	$T_j=25^\circ\text{C}$	-	1.55	2.03	V
			$T_j=125^\circ\text{C}$	-	1.45	-	
Turn-on time	t_{on}	$V_{DC}=300\text{V}$ $I_C=30\text{A}$ $V_{CC}=15\text{V}$ $V_B(^*)=15\text{V}$ $T_j=125^\circ\text{C}$ $V_{in}=0\text{V} \leftrightarrow 5\text{V}$ See Fig.2-1 Note *4	0.77	1.28	1.96	μs	
Turn-on delay	$t_d(\text{on})$		0.71	1.08	1.62		
Turn-on rise time	t_r		-	0.20	0.34		
VCE-IC Cross time of turn-on	$t_c(\text{on})$		0.45	0.68			
Turn-off time	t_{off}		-	1.33	1.99		
Turn-off delay	$t_d(\text{off})$		-	1.12	1.64		
Turn-off fall time	t_f		-	0.21	0.35		
VCE-IC Cross time of turn-on	$t_c(\text{off})$		-	0.30	0.45		
FWD Reverse Recovery time	t_{rr}		-	0.21	0.32		

● Control circuit block (T_J=25°C unless otherwise specified)

Description	Symbol	Conditions	min.	typ.	max.	Unit	
Circuit current of Low-side	I _{CCL}	V _{CCL} =15V, VIN=5V	-	0.55	0.8	mA	
		V _{CCL} =15V, VIN=0V	-	0.55	0.8		
Circuit current of High-side	I _{CCH}	V _{CCH} =15V, VIN=5V	-	0.80	1.2	mA	
		V _{CCH} =15V, VIN=0V	-	0.80	1.2		
Circuit current of Bootstrap circuit (per one unit)	I _{CCHB}	V _{B(U)} =15V, V _{E(V)} =15V, V _{B(W)} =15V, VIN=5V	-	-	0.20	mA	
		V _{B(U)} =15V, V _{E(V)} =15V, V _{B(W)} =15V, VIN=0V	-	-	0.20		
Input Signal threshold voltage	V _{th(on)}	Note *8 Pw≥1.1μs	-	2.1	2.6	V	
	V _{th(off)}		0.8	1.3	-	V	
Input Signal threshold hysteresis voltage	V _{th(hys)}		0.35	0.80	-	V	
Operational input pulse width of turn-on	t _{IN(ON)}	V _{IN} =0V to 5V rise up Note *6, Note *8	1.1	-	-	μs	
Operational input pulse width of turn-off	t _{IN(OFF)}	V _{IN} =5V to 0V fall down Note *6, Note *8	1.1	-	-	μs	
Input current	I _{IN}	V _{IN} =5V, Note *6	0.7	1.0	1.5	mA	
Input pull-down resistance	R _{IN}	Note *6	3.3	5.0	7.2	kΩ	
Fault Output Voltage	V _{FO(H)}	V _{IS} =0V, VFO terminal pull up to 5V by 10kΩ	4.9	-	-	V	
	V _{FO(L)}	V _{IS} =1V, I _{FO} =1mA	-	-	0.95	V	
Fault Output pulse width	t _{FO}	Note *9, See Fig.2-2, 2-3	20	-	-	μs	
Over Current Protection Voltage Level	V _{IS(ref)}	V _{CC} =15V Note *3, *10	0.43	0.48	0.53	V	
Over Current Protection Delay time	td _{IS}	See Fig.2-2	0.6	0.9	1.3	μs	
Output Voltage of temperature sensor	V(temp)	Note *11	T _C =90°C	2.63	2.77	2.91	V
			T _C =25°C	0.88	1.13	1.39	V
LVIC Overheating protection	T _{OH}	See Fig.2-6	115	125	135	°C	
T _{OH} Hysteresis	T _{OH(hys)}		4	10	20	°C	
V _{CC} Under Voltage Trip Level of Low-side	V _{CCL(OFF)}	T _J <150°C See Fig.2-3	10.3	-	12.5	V	
V _{CC} Under Voltage Reset Level of Low-side	V _{CCL(ON)}		10.8	-	13.0	V	
V _{CC} Under Voltage hysteresis	V _{CCL(hys)}		-	0.5	-	V	
V _{CC} Under Voltage Trip Level of High-side	V _{CCH(OFF)}	T _J <150°C See Fig.2-4	8.3	-	10.3	V	
V _{CC} Under Voltage Reset Level of High-side	V _{CCH(ON)}		8.8	-	10.8	V	
V _{CC} Under Voltage hysteresis	V _{CCH(hys)}		-	0.5	-	V	
VB Under Voltage Trip Level	V _{B(OFF)}	T _J <150°C See Fig.2-5	9.5	-	11.5	V	
VB Under Voltage Reset Level	V _{B(ON)}		10.0	-	12.0	V	
VB Under Voltage hysteresis	V _{B(hys)}		-	0.5	-	V	
Forward voltage of Bootstrap diode	V _{F(BSD)}	T _J =25°C I _{F(BSD)} =10mA	0.90	1.4	1.90	V	
	V _{F(BSD)}	T _J =25°C I _{F(BSD)} =100mA	2.3	4.3	6.3		

Note *8 : This IPM module might make incorrect response if the input signal pulse width is less than t_{IN(on)} and t_{IN(off)}.

Note *9 : Fault signal is asserted corresponding to an "Over-current protection", an "Under-voltage protection" at low-side, and an "Over-heat protection".

Under the condition of "Over-current protection" or "Under-voltage protection" or "Over-heat protection", the fault signal is asserted continuously while these conditions are continuing. However, the minimum fault output pulse width is minimum 20μsec even if very short failure condition (which is less than 20μs) is triggered.

Note *10 : Over current protection is functioning only for the low-side arms.

Note *11 : Fig.1-1 shows the measurement position of temperature sensor.

Thermal Characteristics

Description	Symbol	min.	typ.	max.	Unit
Junction to Case Thermal Resistance (per single IGBT) Note *12	Rth(j-c) _{IGBT}	-	-	1.56	°C/W
Junction to Case Thermal Resistance (per single FWD) Note *12	Rth(j-c) _{FWD}	-	-	3.16	°C/W

Note *12: Thermal compound with good thermal conductivity should be applied evenly with about +100µm~+200µm on the contacting surface of this device and heat-sink.

Mechanical Characteristics

Description	Symbol	Conditions	min.	typ.	max.	Unit
Tighten torque	-	Mounting screw: M3	0.59	0.69	0.78	Nm
Heat-sink side flatness	-	Note. *13	0	-	100	µm
Weight	-	-	-	9.3	-	g

Note *13: Fig.1-2 shows the measurement position of heat sink flatness

Recommended Operation Conditions

● All voltages are absolute voltages referenced to Vcc –potential unless otherwise specified.

Description	Conditions	min.	typ.	max.	Unit
DC Bus Voltage	V _{DC}	0	300	400	V
High-side Bias Voltage for IGBT gate driving	V _B (*)	13.0	15.0	18.5	V
High-side Supply Voltage	V _{CCH}	13.5	15.0	16.5	V
Low-side Supply Voltage	V _{CCL}	13.5	15.0	16.5	V
Control Supply variation	ΔV _B	-1	-	1	V/µs
	ΔV _{CC}	-1	-	1	
Input signal voltage	V _{IN}	0	-	5	V
Voltage for current sensing	V _{ISC}	0	-	5	V
Potential difference of between Vcc to N (including surge)	V _{CC,N}	-5	-	5	V
Dead time for preventing arm-short (Tc≤125°C)	t _{DEAD}	1.5	-	-	µs
Allowable output current (Note *14)	I _O	-	-	18.0	A rms
Allowable minimum input pulse width (Note *15, Note *16)	PW _{IN(on)}	1.1	-	-	µs
	PW _{IN(off)}	1.1	-	-	µs
PWM Input frequency	f _{PWM}	-	-	20	kHz
Operating Junction Temperature	T _J	-20	-	125	°C

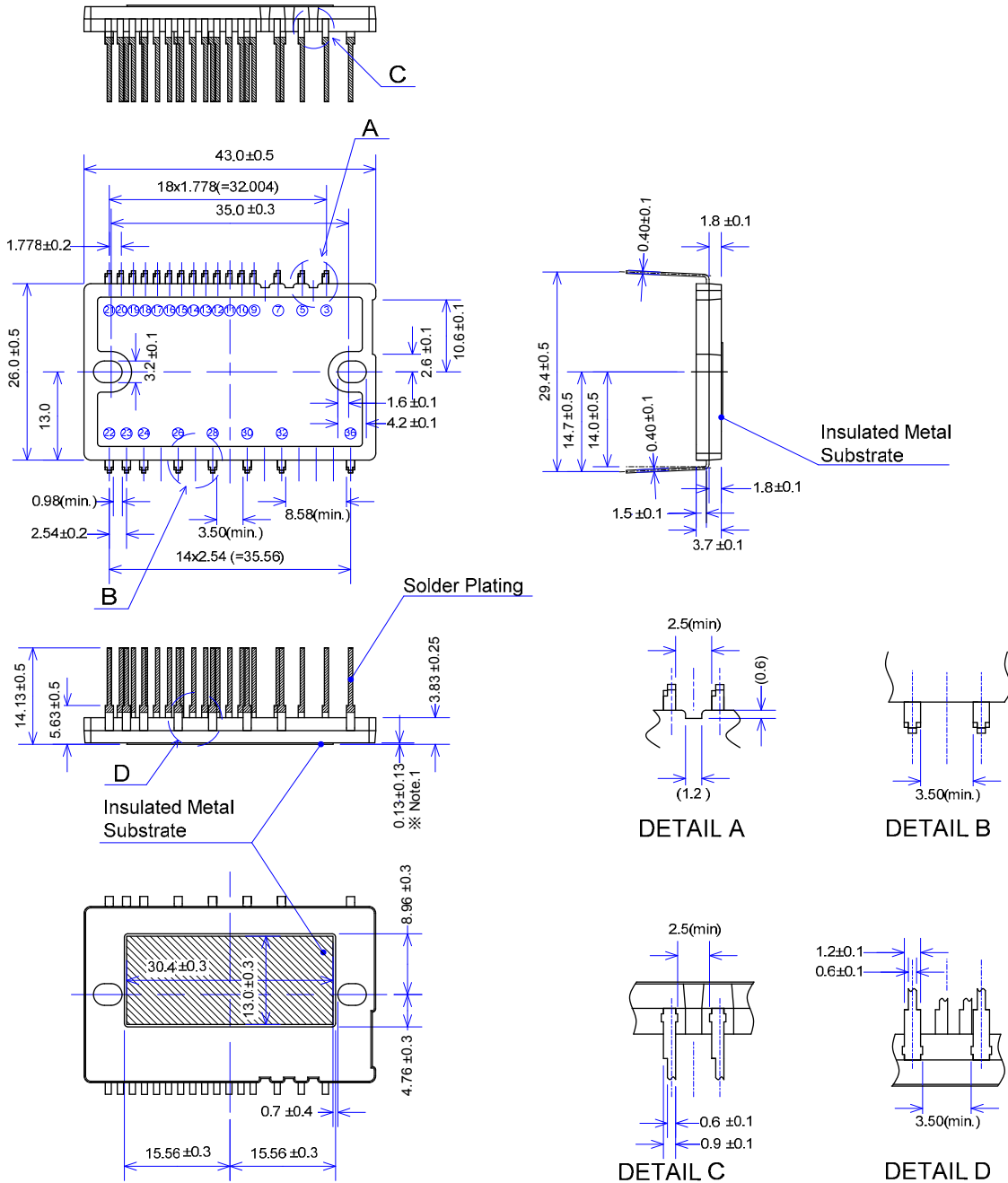
Note *14: V_{DC}=300V, V_{CC}=V_B(*)=15V, PF=0.8, Sinusoidal PWM, 3phase modulation, T_J≤125°C, T_c≤100°C, f_{PWM}=5kHz, F_O=300Hz, K_s=0.9

Note *15: In the pulse width of 1.1µs, the loss of IGBT increases for the saturation operation.

To reduce the loss of IGBT, please enlarge the pulse width more than the switching time of IGBT.

Note *16: This IPM module might make incorrect response if the input signal pulse width is less than PW_{IN(on)} and PW_{IN(off)}.

Package outline dimensions

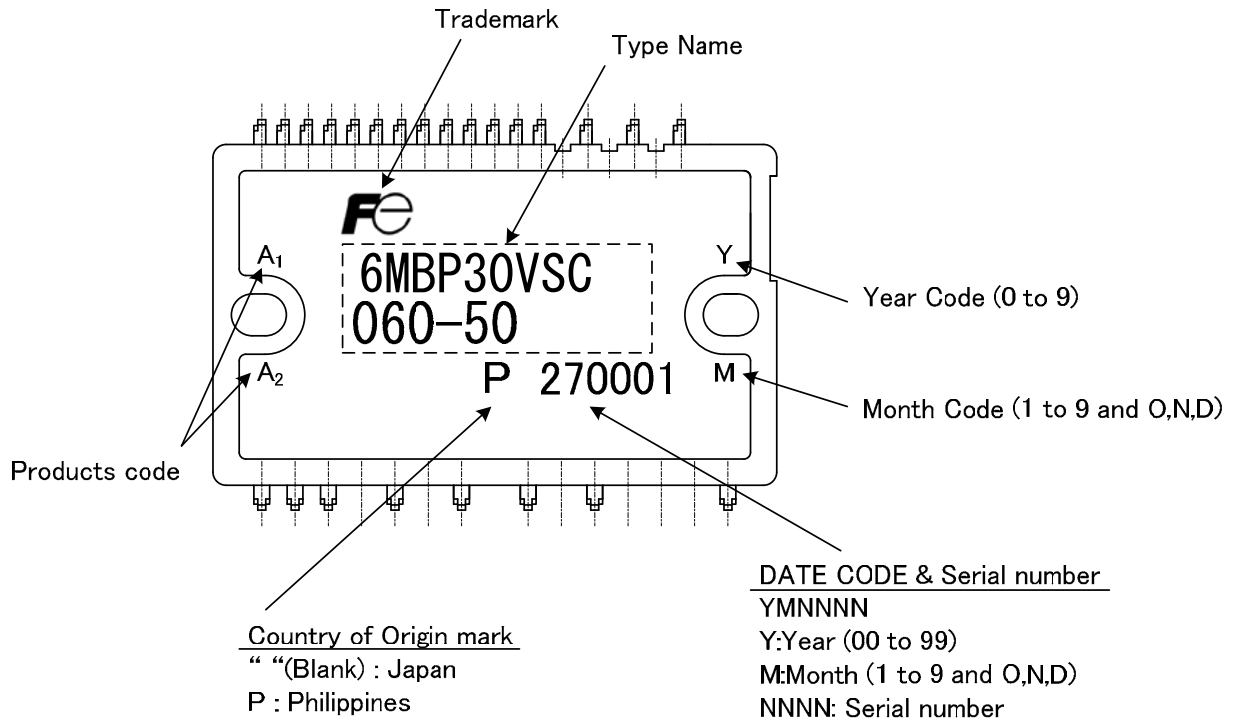


Unit: mm

Note ※1: The IMS(Insulated Metal Substrate) deliberately protruded from back surface of case. It is improved of thermal conductivity between IMS and heat-sink.

Pin No.	Pin Name	Pin No.	Pin Name	Pin No.	Pin Name
3	VB(U)	14	IN(LU)	22	N(W)
5	VB(V)	15	IN(LV)	23	N(V)
7	VB(W)	16	IN(LW)	24	N(U)
9	IN(HU)	17	V _{CCL}	26	W
10	IN(HV)	18	VFO	28	V
11	IN(HW)	19	IS	30	U
12	V _{CCH}	20	COM	32	P
13	COM	21	TEMP	36	NC

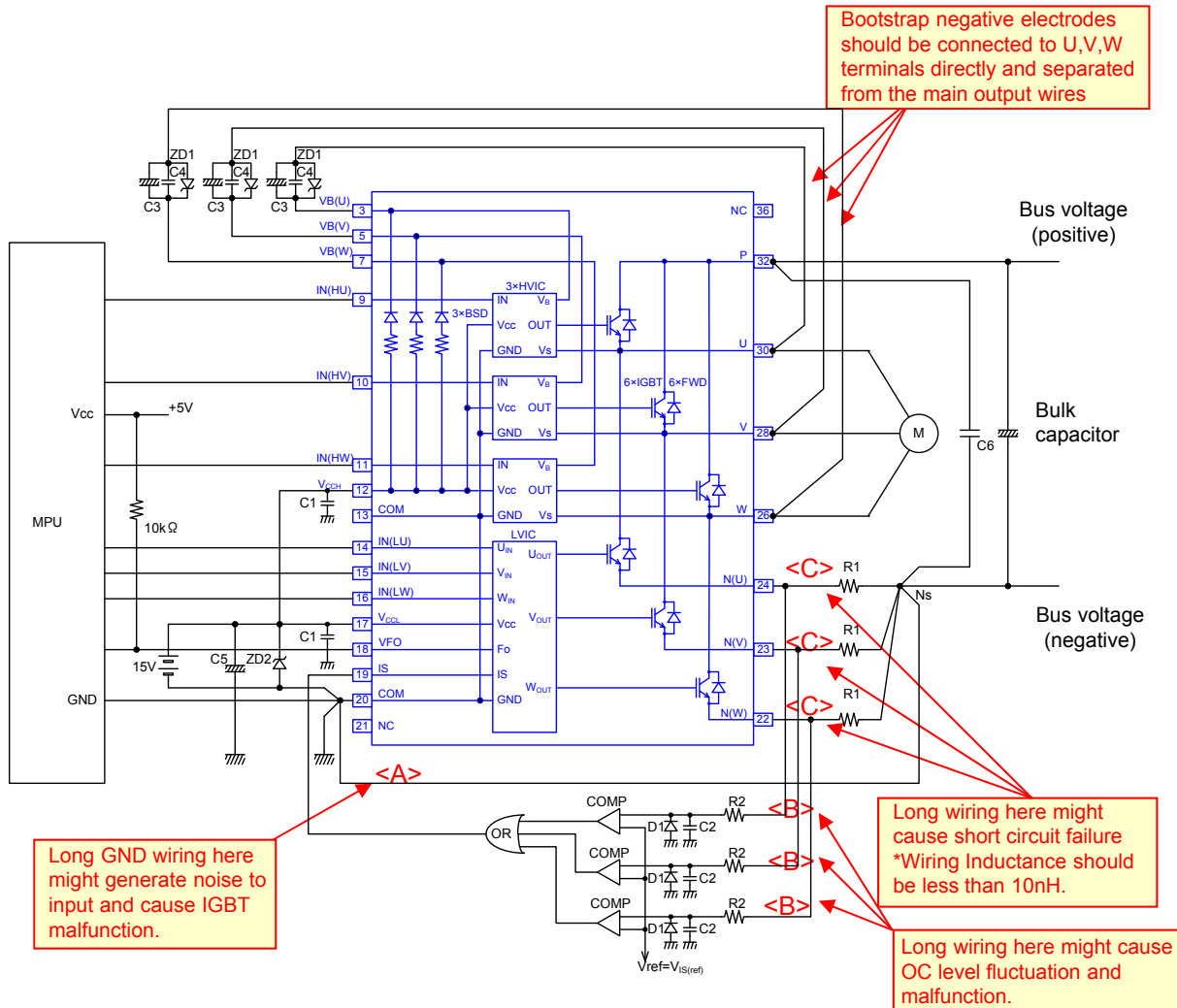
■ Marking



Note *1: Product code A₁ means current ratings , and “I” is marked.
 Product code A₂ means variations , and “C” is marked.

■ An example of application circuit.

● Fig. shows an example of an application circuit.



Note *1: Input signal for drive is High-Active. There is a pull-down resistor built in the IC input circuit. To prevent malfunction, the wiring of each input should be as short as possible. When using R-C coupling circuit, make sure the input signal level meet the turn-on and turn-off threshold voltage.

Note *2: By the function of the HVIC, it is possible of the direct coupling to microprocessor (MPU) without any photo-coupler or pulse-transformer isolation.

Note *3: VFO output is open drain type. It should be pulled up to the positive side of a 5V power supply by a resistor of about 10kΩ.

Note *4: To prevent erroneous protection, the wiring of (A), (B), (C) should be as short as possible.

Note *5: The time constant R2-C2 of the protection circuit should be selected approximately 1.5μs.

Over current (OC) shutdown time might vary due to the wiring pattern. Tight tolerance, temp-compensated type is recommended for R2, C2.

Note *6: Please set the threshold voltage of the comparator reference input to be same as the IPM OC trip reference voltage $V_{IS(ref)}$.

Note *7: Please use high speed type comparator and logic IC to detect OC condition quickly.

Note *8: If negative voltage of R1 at the switching timing is applied, the schottky barrier diode D1 is recommended to be inserted parallel to R1.

Note *9: All capacitors should be mounted as close to the terminals of the IPM as possible. (C1, C4 : narrow temperature drift, higher frequency and DC bias characteristic ceramic type are recommended, and C3, C5: narrow temperature drift, higher frequency and electrolytic type.)

Note *10: To prevent surge destruction, the wiring between the snubber capacitor and the P terminal, Ns node should be as short as possible. Generally a 0.1μ to 0.22μF snubber capacitor (C6) between the P terminal and Ns node is recommended.

Note *11: Two COM terminals (13 & 20 pin) are connected inside the IPM, it must be connected either one to the signal GND outside and leave another one open.

Note *12: It is recommended to insert a zener-diode (22V) between each pair of control supply terminals to prevent surge destruction.

Note *13: If signal GND is connected to power GND by broad pattern, it may cause malfunction by power GND fluctuation. It is recommended to connect signal GND and power GND at only a point.

Fig.1-1: The measurement position of temperature sensor.

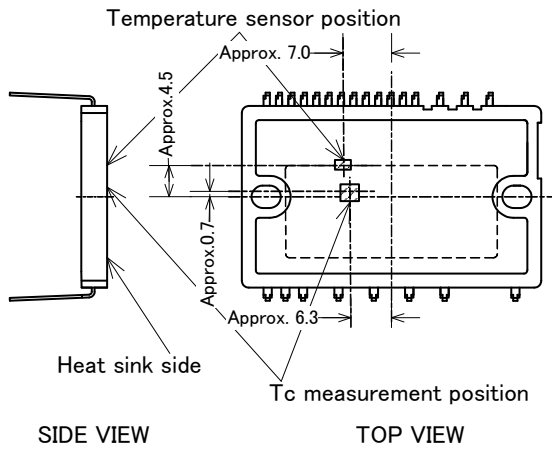


Fig.1-2: The measurement position of heat sink flatness

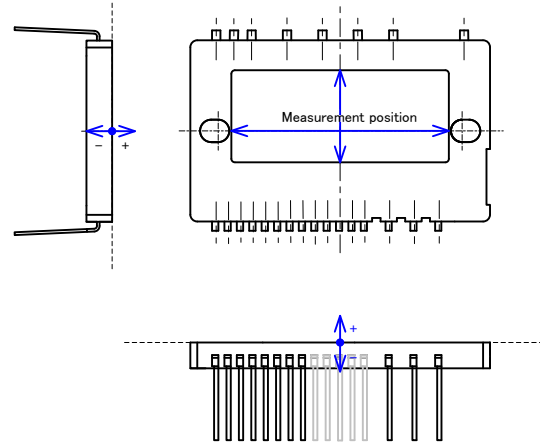


Fig.2-1: Switching waveforms

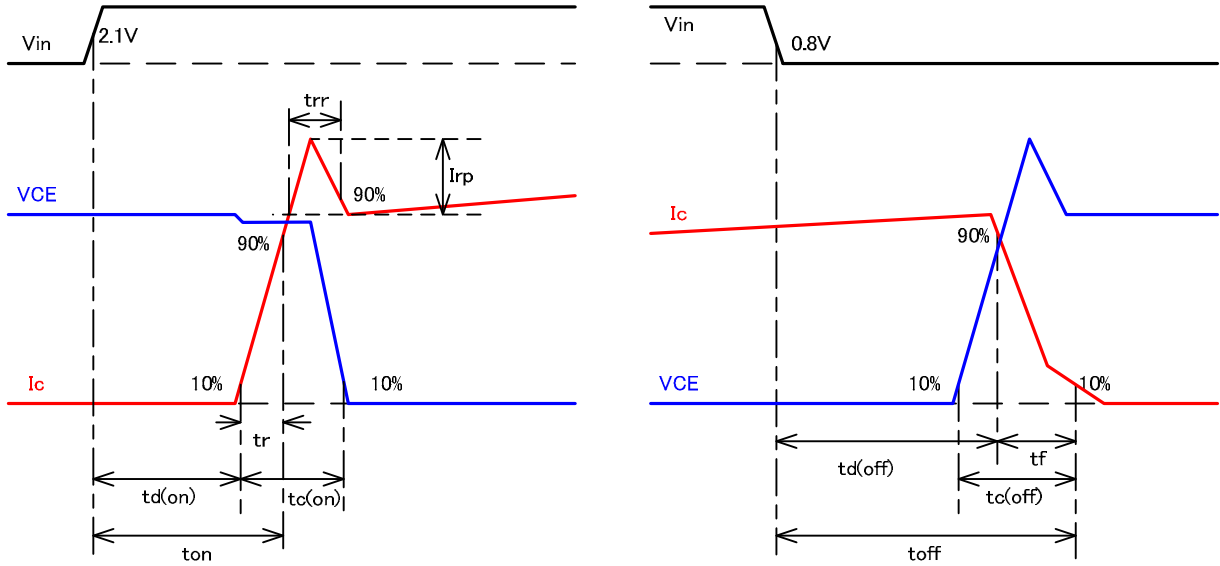
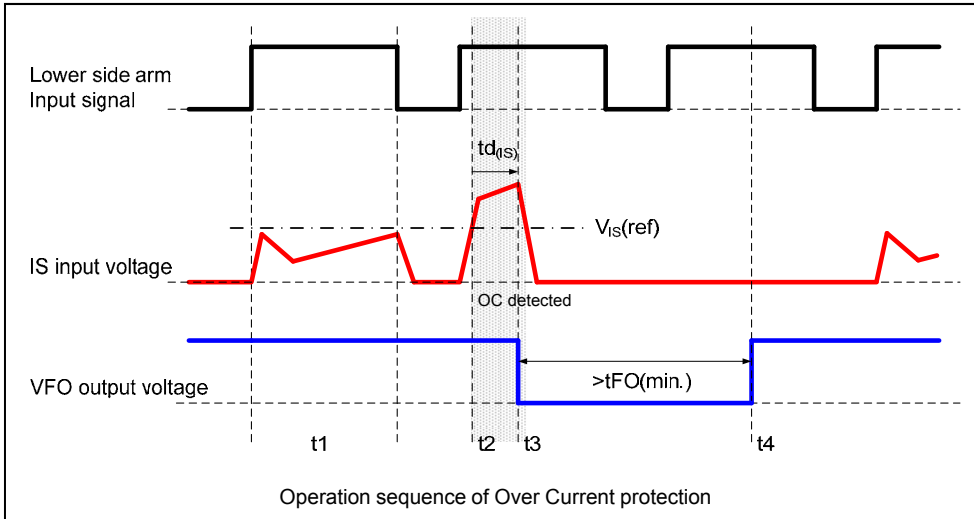
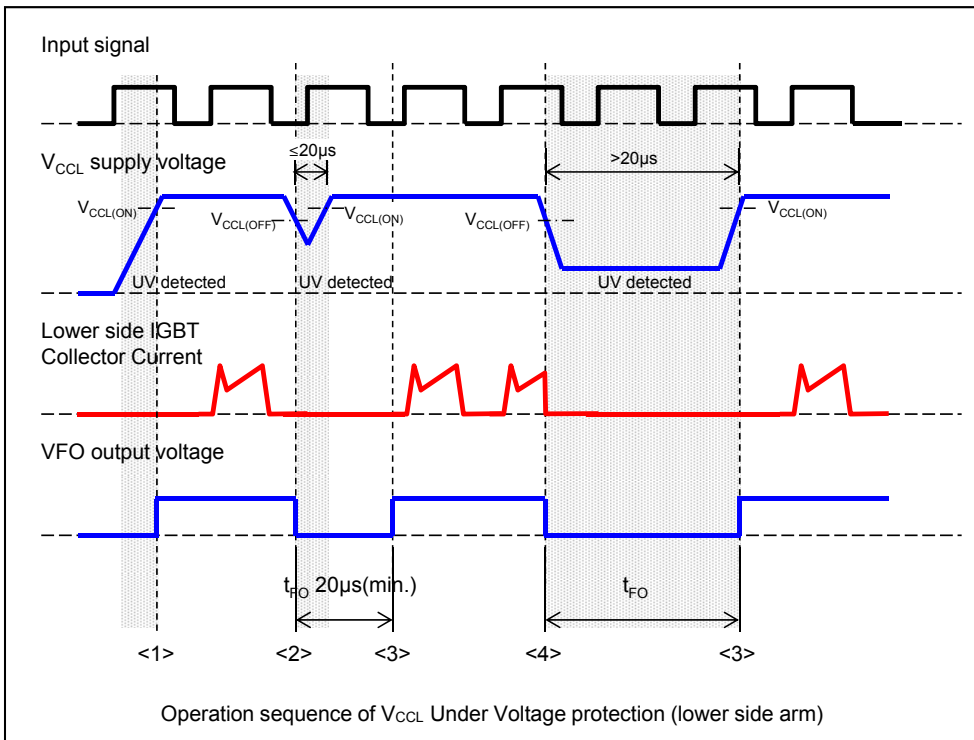


Fig.2-2: Operation sequence of Over current protection



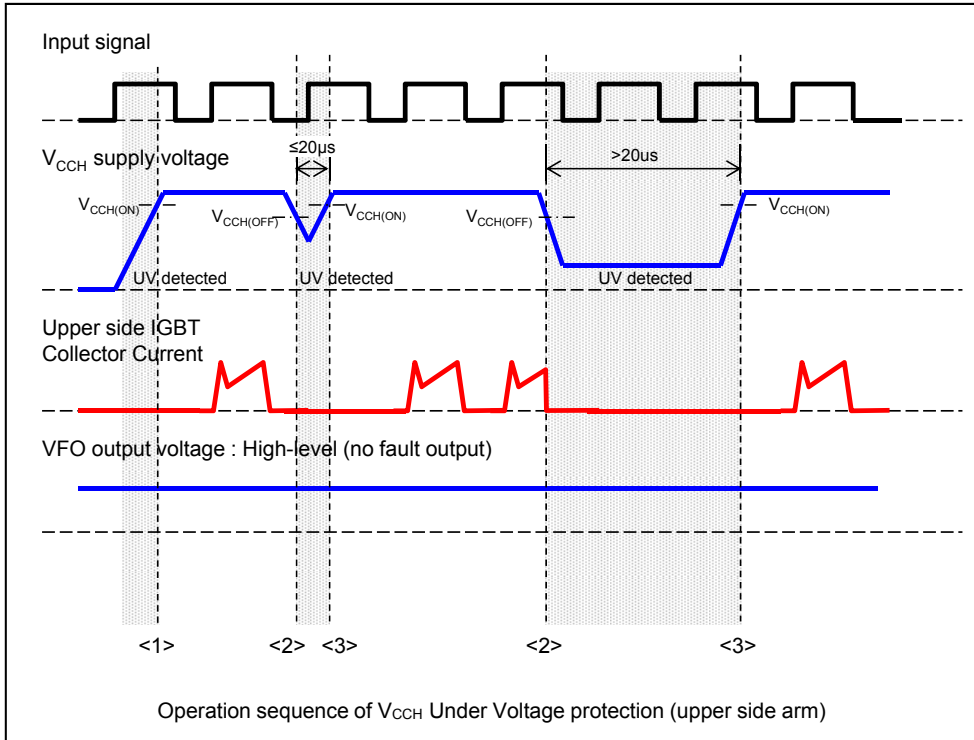
- t1: IS input voltage does not exceed $V_{is(ref)}$, while the collector current of the lower side IGBT is under the normal operation.
- t2: When IS input voltage exceeds $V_{is(ref)}$, the OC is detected.
- t3: The fault output VFO is activated and all lower side IGBT shut down simultaneously after the over current protection delay time $t_{d(is)}$. Inherently there is dead time of LVIC in $t_{d(is)}$.
- t4: After the fault output pulse width t_{FO} , the OC is reset. Then next input signal is activated.

Fig.2-3: Operation sequence of V_{CCL} Under voltage trip (lower side arm)



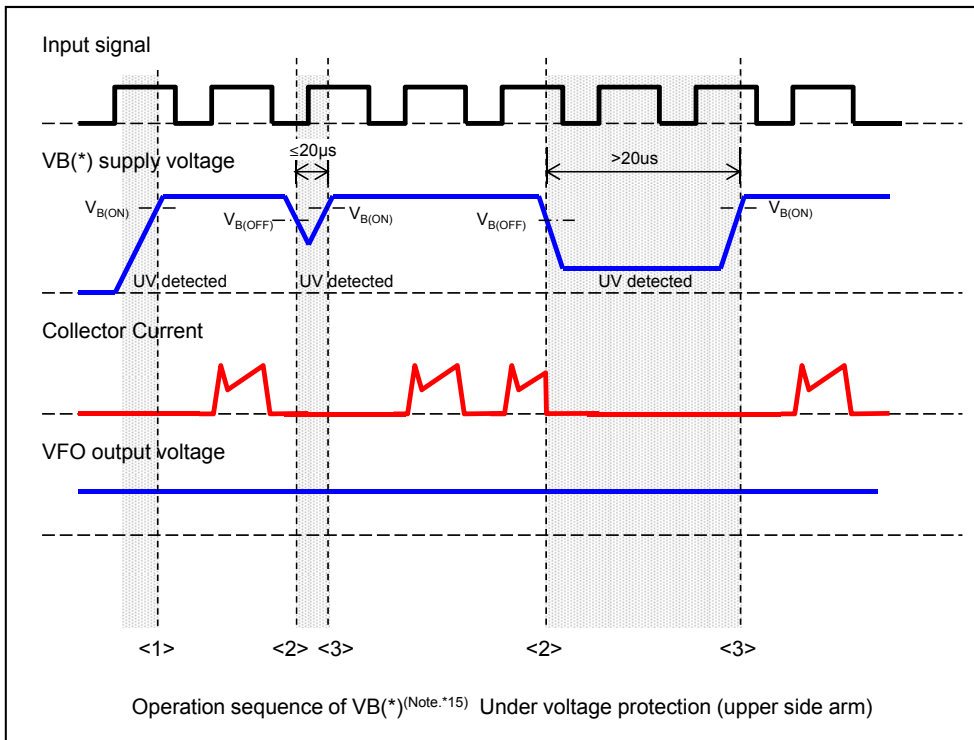
- <1> When V_{CCL} is under $V_{CCL(ON)}$, all lower side IGBTs are OFF state. After V_{CCL} rises $V_{CCL(ON)}$, the fault output VFO is released (high level). And the LVIC starts to operate, then next input is activated.
- <2> The fault output VFO is activated when V_{CCL} falls below $V_{CCL(OFF)}$, and all lower side IGBT remains OFF state. When the voltage drop time is less than $20\mu s$, the fault output pulse width is generated minimum $20\mu s$ and all lower side IGBTs are OFF state in spite of input signal condition during that time.
- <3> UV is reset after t_{FO} when V_{CCL} exceeds $V_{CCL(ON)}$ and the fault output VFO is reset simultaneously. And the LVIC starts to operate, then next input is activated.
- <4> When the voltage drop time is more than t_{FO} , the fault output pulse width is generated and all lower side IGBTs are OFF state in spite of input signal condition during the same time.

Fig.2-4: Operation sequence of V_{CCH} Under voltage trip (upper side arm)



- <1> When V_{CCH} is under $V_{CCH(ON)}$, the upper side IGBT is OFF state.
After V_{CCH} exceeds $V_{CCH(ON)}$, the HVIC starts to operate. Then next input is activated.
The fault output VFO is constant (high level) not to depend on V_{CCH} .
- <2> After V_{CCH} falls below $V_{CCH(OFF)}$, the upper side IGBT remains OFF state.
But the fault output VFO keeps high level.
- <3> The HVIC starts to operate after UV is reset, then next input is activated.

Fig.2-5: Operation sequence of V_B Under voltage trip (upper side arm)



- <1> When $V_B(*)$ is under $V_{B(ON)}$, the upper side IGBT is OFF state.
After $V_B(*)$ exceeds $V_{B(ON)}$, the HVIC starts to operate. Then next input is activated.
The fault output VFO is constant (high level) not to depend on $V_B(*)$. (Note*14)
- <2> After $V_B(*)$ falls below $V_{B(OFF)}$, the upper side IGBT remains OFF state.
But the fault output VFO keeps high level.
- <3> The HVIC starts to operate after UV is reset, then next input is activated.

Note *14: The fault output is not given HVIC bias conditions.

WARNING

1. This Catalog contains the product specifications, characteristics, data, materials, and structures as of June 2014. The contents are subject to change without notice for specification changes or other reasons. When using a product listed in this Catalog, be sure to obtain the latest specifications.
2. All applications described in this Catalog exemplify the use of Fuji's products for your reference only. No right or license, either express or implied, under any patent, copyright, trade secret or other intellectual property right owned by Fuji Electric Co., Ltd. is (or shall be deemed) granted. Fuji Electric Co., Ltd. makes no representation or warranty, whether express or implied, relating to the infringement or alleged infringement of other's intellectual property rights which may arise from the use of the applications described herein.
3. Although Fuji Electric Co., Ltd. is enhancing product quality and reliability, a small percentage of semiconductor products may become faulty. When using Fuji Electric semiconductor products in your equipment, you are requested to take adequate safety measures to prevent the equipment from causing a physical injury, fire, or other problem if any of the products become faulty. It is recommended to make your design fail-safe, flame retardant, and free of malfunction.
4. The products introduced in this Catalog are intended for use in the following electronic and electrical equipment which has normal reliability requirements.

• Computers	• OA equipment	• Communications equipment (terminal devices)	• Measurement equipment
• Machine tools	• Audiovisual equipment	• Electrical home appliances	• Personal equipment
			• Industrial robots etc.
5. If you need to use a product in this Catalog for equipment requiring higher reliability than normal, such as for the equipment listed below, it is imperative to contact Fuji Electric Co., Ltd. to obtain prior approval. When using these products for such equipment, take adequate measures such as a backup system to prevent the equipment from malfunctioning even if a Fuji's product incorporated in the equipment becomes faulty.

• Transportation equipment (mounted on cars and ships)	• Trunk communications equipment
• Traffic-signal control equipment	• Gas leakage detectors with an auto-shut-off feature
• Emergency equipment for responding to disasters and anti-burglary devices	• Safety devices
• Medical equipment	
6. Do not use products in this Catalog for the equipment requiring strict reliability such as the following and equivalents to strategic equipment (without limitation).

• Space equipment	• Aeronautic equipment	• Nuclear control equipment
• Submarine repeater equipment		
7. Copyright ©1996-2014 by Fuji Electric Co., Ltd. All rights reserved.
No part of this Catalog may be reproduced in any form or by any means without the express permission of Fuji Electric Co., Ltd.
8. If you have any question about any portion in this Catalog, ask Fuji Electric Co., Ltd. or its sales agents before using the product. Neither Fuji Electric Co., Ltd. nor its agents shall be liable for any injury caused by any use of the products not in accordance with instructions set forth herein.