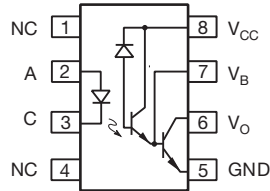
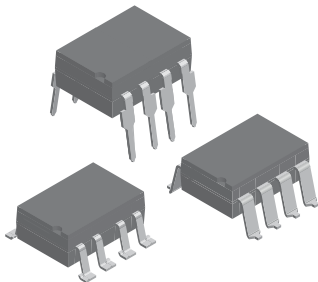


# High Speed Optocoupler, 100 kBd, Low Input Current, Photodiode Darlington Output



## FEATURES

- High current transfer ratio, 300 %
- Low input current, 0.5 mA
- High output current, 60 mA
- Isolation test voltage, 5300 V<sub>RMS</sub>
- TTL compatible output, V<sub>OL</sub> = 0.1 V
- High common mode rejection, 500 V/ $\mu$ s
- Adjustable bandwidth-access to base
- Material categorization: for definitions of compliance please see [www.vishay.com/doc?99912](http://www.vishay.com/doc?99912)



RoHS COMPLIANT

## DESCRIPTION

High common mode transient immunity and very high current ratio together with 5300 V<sub>RMS</sub> insulation are achieved by coupling an LED with an integrated high gain photo detector in an eight pin dual-in-line package. Separate pins for the photo diode and output stage enable TTL compatible saturation voltages with high speed operation.

Access to the base terminal allows adjustment to the gain bandwidth.

The 6N138 is ideal for TTL applications since the 300 % minimum current transfer ratio with an LED current of 1.6 mA enables operation with one unit load-in and one unit load-out with a 2.2 k $\Omega$  pull-up resistor.

The 6N139 is best suited for low power logic applications involving CMOS and low power TTL. A 400 % current transfer ratio with only 0.5 mA of LED current is guaranteed from 0 °C to 70 °C.

**Caution:** Due to the small geometries of this device, it should be handled with Electrostatic Discharge (ESD) precautions. Proper grounding would prevent damage further and/or degradation which may be induced by ESD.

## APPLICATIONS

- Microprocessor system interface
- PLC, ATE input / output isolation
- EIA RS232 line receiver
- TTL, CMOS voltage level translation
- Multiplexed data transmission
- Digital control power supply
- Ground loop and electrical noise elimination

## AGENCY APPROVALS

- UL1577, file no. E52744, double protection
- DIN EN 60747-5-5 available with option 1

ORDERING INFORMATION			
6	N	1	3
PART NUMBER			
X	0	#	#
PACKAGE OPTION			
T			
TAPE AND REEL			
AGENCY CERTIFIED/PACKAGE	CTR (%)		
	1.6 mA		
<b>UL</b>	<b>&gt; 300</b>	<b>&gt; 500</b>	
DIP-8	6N138	6N139, 6N139-X001	
SMD-8, option 7	6N138-X007T	6N139-X007, 6N139-X007T	
SMD-8, option 9	6N138-X009T	6N139-X009, 6N139-X009T	
<b>VDE</b>	<b>&gt; 300</b>	<b>&gt; 500</b>	
SMD-8, option 7	-	6N139-X017T	
SMD-8, option 9	-	6N139-X019T	

### Note

- For additional information on the available options refer to option information.



ABSOLUTE MAXIMUM RATINGS (T <sub>amb</sub> = 25 °C, unless otherwise specified)					
PARAMETER	TEST CONDITION	PART	SYMBOL	VALUE	UNIT
<b>INPUT</b>					
Reverse voltage			V <sub>R</sub>	5	V
Forward current			I <sub>F</sub>	25	mA
Average input current <sup>(1)</sup>			I <sub>f(avg)</sub>	20	mA
Input power dissipation <sup>(2)</sup>			P <sub>diss</sub>	35	mW
<b>OUTPUT</b>					
Supply and output voltage	Pin 8 to 5, pin 6 to 5	6N138	V <sub>CC</sub> , V <sub>O</sub>	-0.5 to 7	V
	Pin 8 to 5, pin 6 to 5	6N139	V <sub>CC</sub> , V <sub>O</sub>	-0.5 to 18	V
Emitter base reverse voltage	Pin 5 to 7			0.5	V
Peak input current	50 % duty cycle - 1 ms pulse width			40	mA
Peak transient input current	t <sub>p</sub> ≤ 1 μs, 300 pps			1	A
Output current	Pin 6		I <sub>O</sub>	60	mA
Output power dissipation <sup>(3)(4)</sup>			P <sub>diss</sub>	100	mW
<b>COUPLER</b>					
Isolation test voltage	t = 1 min		V <sub>ISO</sub>	5300	V <sub>RMS</sub>
Isolation resistance	V <sub>IO</sub> = 500 V, T <sub>amb</sub> = 25 °C		R <sub>IO</sub>	≥ 10 <sup>12</sup>	Ω
	V <sub>IO</sub> = 500 V, T <sub>amb</sub> = 100 °C		R <sub>IO</sub>	≥ 10 <sup>11</sup>	Ω
Storage temperature			T <sub>stg</sub>	-55 to +150	°C
Operating temperature			T <sub>amb</sub>	-55 to +100	°C
Lead soldering temperature <sup>(5)</sup>	t = 10 s		T <sub>slid</sub>	260	°C

**Notes**

- Stresses in excess of the absolute maximum ratings can cause permanent damage to the device. Functional operation of the device is not implied at these or any other conditions in excess of those given in the operational sections of this document. Exposure to absolute maximum ratings for extended periods of the time can adversely affect reliability.
- <sup>(1)</sup> Derate linearly above 50 °C free-air temperature at a rate of 0.333 mA/°C.
- <sup>(2)</sup> Derate linearly above 50 °C free-air temperature at a rate of 0.467 mW/°C.
- <sup>(3)</sup> Derate linearly above 25 °C free-air temperature at a rate of 0.6 mA/°C.
- <sup>(4)</sup> Derate linearly above 25 °C free-air temperature at a rate of 1 mW/°C.
- <sup>(5)</sup> Refer to reflow profile for soldering conditions for surface mounted devices (SMD). Refer to wave profile for soldering conditions for through hole devices (DIP).

ELECTRICAL CHARACTERISTICS (T <sub>amb</sub> = 25 °C, unless otherwise specified)							
PARAMETER	TEST CONDITION	PART	SYMBOL	MIN.	TYP.	MAX.	UNIT
<b>INPUT</b>							
Input forward voltage	I <sub>F</sub> = 1.6 mA		V <sub>F</sub>		1.4	1.7	V
Input reverse breakdown voltage	I <sub>R</sub> = 10 μA		B <sub>VR</sub>	5			V
Temperature coefficient of forward voltage	I <sub>F</sub> = 1.6 mA				-1.8		mV/°C
<b>OUTPUT</b>							
Logic low, output voltage <sup>(1)</sup>	I <sub>F</sub> = 1.6 mA, I <sub>O</sub> = 4.8 mA, V <sub>CC</sub> = 4.5 V	6N138	V <sub>OL</sub>		0.1	0.4	V
	I <sub>F</sub> = 1.6 mA, I <sub>O</sub> = 8 mA, V <sub>CC</sub> = 4.5 V	6N139	V <sub>OL</sub>		0.1	0.4	V
	I <sub>F</sub> = 5 mA, I <sub>O</sub> = 15 mA, V <sub>CC</sub> = 4.5 V	6N139	V <sub>OL</sub>		0.15	0.4	V
	I <sub>F</sub> = 12 mA, I <sub>O</sub> = 24 mA, V <sub>CC</sub> = 4.5 V	6N139	V <sub>OL</sub>		0.25	0.4	V
Logic high, output current <sup>(1)</sup>	I <sub>F</sub> = 0 mA, V <sub>CC</sub> = 7 V	6N138	I <sub>OH</sub>		0.1	250	μA
	I <sub>F</sub> = 0 mA, V <sub>CC</sub> = 18 V	6N139	I <sub>OH</sub>		0.05	100	μA
Logic low supply current <sup>(1)</sup>	I <sub>F</sub> = 1.6 mA, V <sub>O</sub> = OPEN, V <sub>CC</sub> = 18 V		I <sub>CCL</sub>		0.2	1.5	mA
Logic high supply current <sup>(1)</sup>	I <sub>F</sub> = 0 mA, V <sub>O</sub> = OPEN, V <sub>CC</sub> = 18 V		I <sub>CCH</sub>		0.001	10	μA



ELECTRICAL CHARACTERISTICS ( $T_{amb} = 25\text{ }^{\circ}\text{C}$ , unless otherwise specified)							
PARAMETER	TEST CONDITION	PART	SYMBOL	MIN.	TYP.	MAX.	UNIT
<b>COUPLER</b>							
Input capacitance	$f = 1\text{ MHz}$ , $V_F = 0$		$C_{IN}$		25		pF
Input output insulation leakage current <sup>(2)</sup>	45 % relative humidity, $T_{amb} = 25\text{ }^{\circ}\text{C}$ , $t = 5\text{ s}$ , $V_{IO} = 3000\text{ V}_{DC}$					1	$\mu\text{A}$
Resistance (input to output) <sup>(2)</sup>	$V = 500\text{ V}_{peak}$		$R_{IO}$		$10^{12}$		$\Omega$
Capacitance (input to output) <sup>(2)</sup>	$f = 1\text{ MHz}$		$C_{IO}$		0.6		pF

**Notes**

- Minimum and maximum values are testing requirements. Typical values are characteristics of the device and are the result of engineering evaluation. Typical values are for information only and are not part of the testing requirements.

(1) Pin 7 open.

(2) Device considered a two-terminal device: pins 1, 2, 3 and 4 shorted together and pins 5, 6, 7, and 8 shorted together.

CURRENT TRANSFER RATIO							
PARAMETER	TEST CONDITION	PART	SYMBOL	MIN.	TYP.	MAX.	UNIT
Current transfer ratio <sup>(1)(2)</sup>	$I_F = 1.6\text{ mA}$ , $V_O = 0.4\text{ V}$ , $V_{CC} = 4.5\text{ V}$	6N138	CTR	300	1600		%
Current transfer ratio	$I_F = 0.5\text{ mA}$ , $V_O = 0.4\text{ V}$ , $V_{CC} = 4.5\text{ V}$	6N139	CTR	400	1600		%
	$I_F = 1.6\text{ mA}$ , $V_O = 0.4\text{ V}$ , $V_{CC} = 4.5\text{ V}$	6N139	CTR	500	2000		%

**Notes**(1) DC current transfer ratio is defined as the ratio of output collector current,  $I_O$ , to the forward LED input current,  $I_F$  times 100 %.

(2) Pin 7 open.

SAFETY AND INSULATION RATINGS							
PARAMETER	TEST CONDITION	SYMBOL	MIN.	TYP.	MAX.	UNIT	
Climatic classification	according to IEC 68 part 1			55/100/21			
Comparative tracking index		CTI	175		399		
$V_{IOTM}$			8000			V	
$V_{IORM}$			890			V	
$P_{SO}$					500	mW	
$I_{SI}$					300	mA	
$T_{SI}$					175	$^{\circ}\text{C}$	
Creepage distance	Standard DIP-8		8			mm	
Clearance distance	Standard DIP-8		7			mm	
Creepage distance	400 mil DIP-8		8			mm	
Clearance distance	400 mil DIP-8		8			mm	

**Note**

- As per IEC 60747-5-2, §7.4.3.8.1, this optocoupler is suitable for "safe electrical insulation" only within the safety ratings. Compliance with the safety ratings shall be ensured by means of protective circuits.

SWITCHING CHARACTERISTICS							
PARAMETER	TEST CONDITION	PART	SYMBOL	MIN.	TYP.	MAX.	UNIT
Propagation delay time to logic low at output	$I_F = 1.6\text{ mA}$ , $R_L = 2.2\text{ k}\Omega$	6N138	$t_{PHL}$		2	10	$\mu\text{s}$
Propagation delay time to logic low at output <sup>(1)(2)</sup>	$I_F = 0.5\text{ mA}$ , $R_L = 4.7\text{ k}\Omega$	6N139	$t_{PHL}$		6	25	$\mu\text{s}$
	$I_F = 12\text{ mA}$ , $R_L = 270\text{ }\Omega$	6N139	$t_{PHL}$		0.6	1	$\mu\text{s}$
Propagation delay time to logic high at output	$I_F = 1.6\text{ mA}$ , $R_L = 2.2\text{ k}\Omega$	6N138	$t_{PLH}$		2	35	$\mu\text{s}$
	$I_F = 0.5\text{ mA}$ , $R_L = 4.7\text{ k}\Omega$	6N139	$t_{PLH}$		4	60	$\mu\text{s}$
Propagation delay time to logic high at output <sup>(1)</sup>	$I_F = 12\text{ mA}$ , $R_L = 270\text{ }\Omega$	6N139	$t_{PLH}$		1.5	7	$\mu\text{s}$

**Note**

(1) Using a resistor between pin 5 and 7 will decrease gain and delay time.

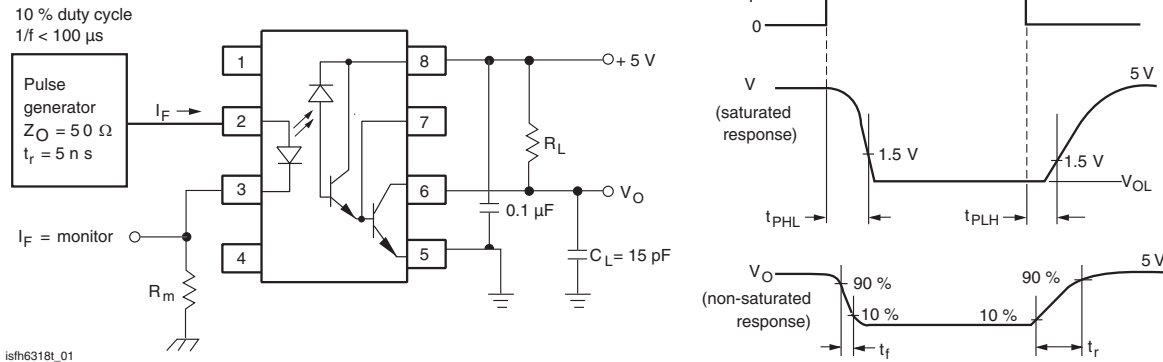


Fig. 1 - Switching Test Circuit

COMMON MODE TRANSIENT IMMUNITY							
PARAMETER	TEST CONDITION	PART	SYMBOL	MIN.	TYP.	MAX.	UNIT
Common mode transient immunity, logic high level output (1)(2)	$I_F = 0 \text{ mA}$ , $R_L = 2.2 \text{ k}\Omega$ , $R_{CC} = 0$ , $ V_{CM}  = 10 \text{ V}_{P-P}$		$ CM_H $		500		$\text{V}/\mu\text{s}$
Common mode transient immunity, logic low level output (1)(2)	$I_F = 16 \text{ mA}$ , $R_L = 2.2 \text{ k}\Omega$ , $R_{CC} = 0$ , $ V_{CM}  = 10 \text{ V}_{P-P}$		$ CM_L $		- 500		$\text{V}/\mu\text{s}$

Notes

- (1) Common mode transient immunity in logic high level is the maximum tolerable (positive)  $dV_{CM}/dt$  on the leading edge of the common mode pulse,  $V_{CM}$ , to assure that the output will remain in a logic high state (i.e.  $V_O > 2 \text{ V}$ ) common mode transient immunity in logic low level is the maximum tolerable (negative)  $dV_{CM}/dt$  on the trailing edge of the common mode pulse signal,  $V_{CM}$  to assure that the output will remain in a logic low state (i.e.  $V_O < 0.8 \text{ V}$ ).
- (2) In applications where  $dV/dt$  may exceed  $50\,000 \text{ V}/\mu\text{s}$  (such as state discharge) a series resistor,  $R_{CC}$  should be included to protect  $I_C$  from destructively high surge currents. The recommend value is  $R_{CC} \equiv [(1 \text{ V})/(0.15 I_F \text{ (mA)})] \text{ k}\Omega$

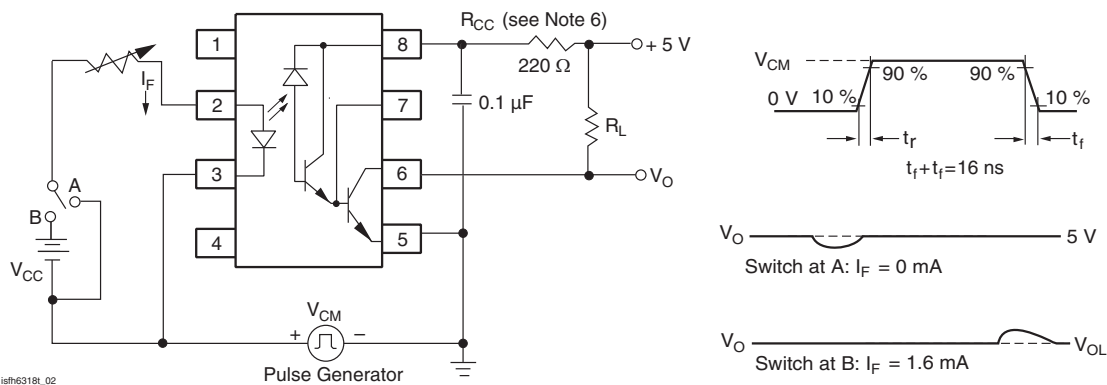


Fig. 2 - Test Circuit for Transient Immunity and Typical Waveforms

**TYPICAL CHARACTERISTICS** ( $T_{amb} = 25\text{ }^{\circ}\text{C}$ , unless otherwise specified)

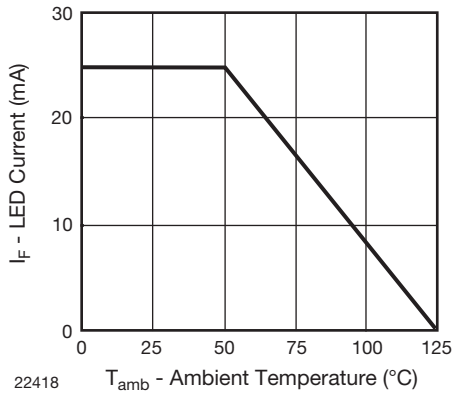


Fig. 3 - Permissible Forward LED Current vs. Temperature

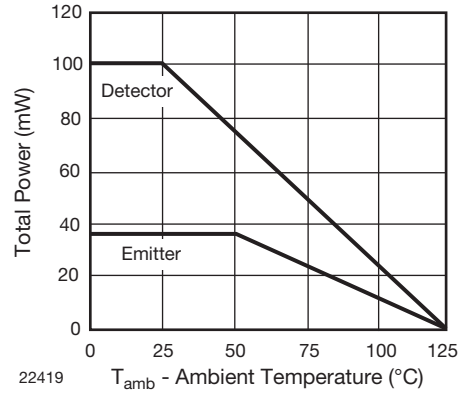
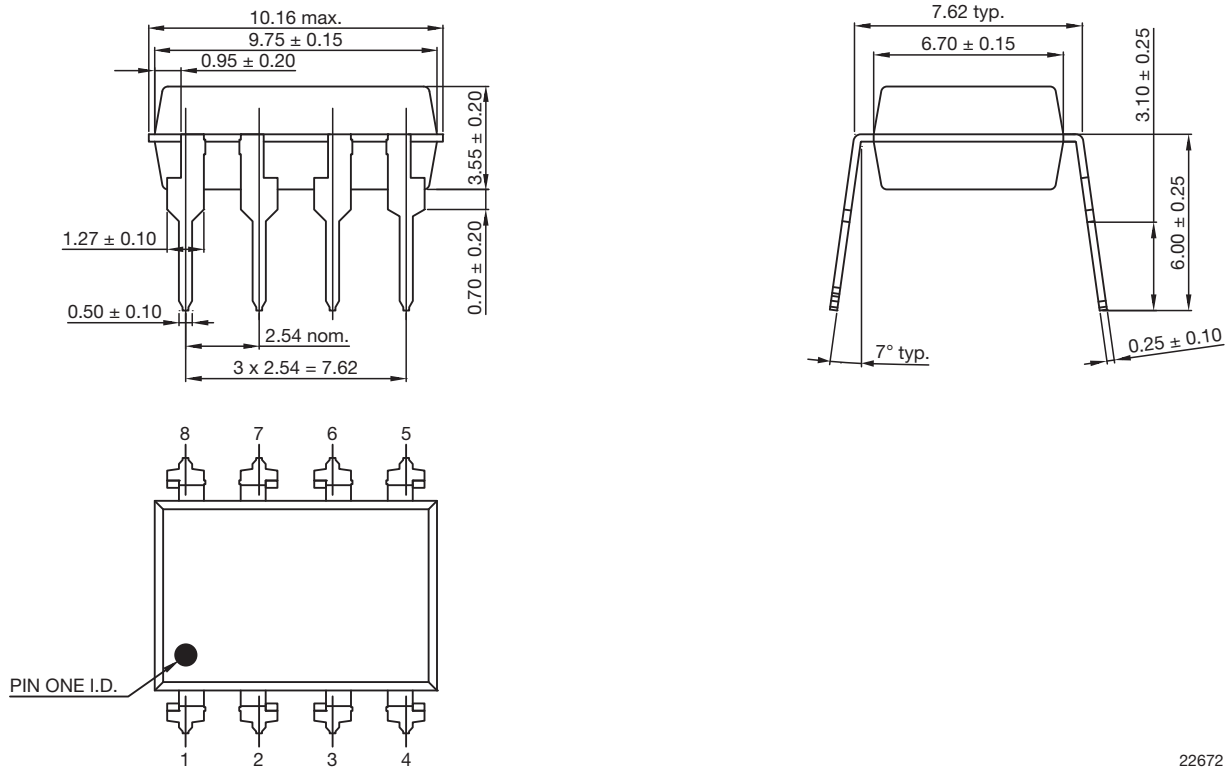


Fig. 4 - Permissible Power Dissipation vs. Temperature

**PACKAGE DIMENSIONS** in millimeters

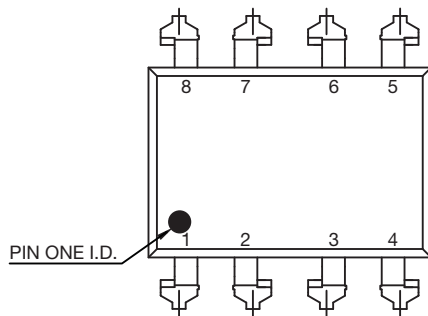
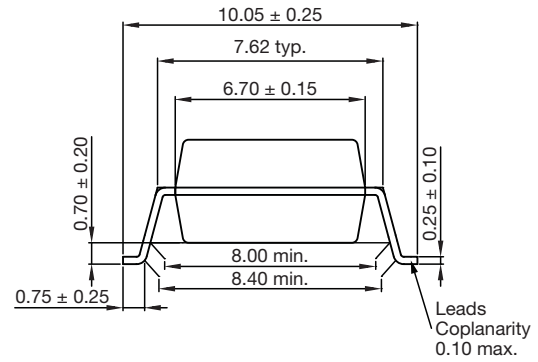
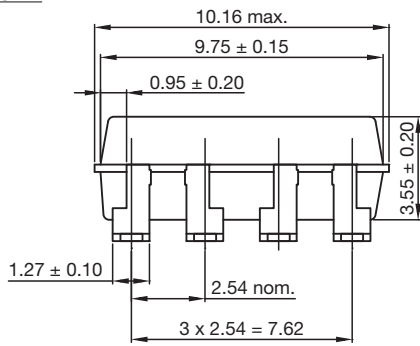
Standard



22672

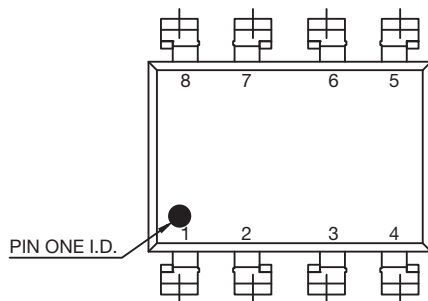
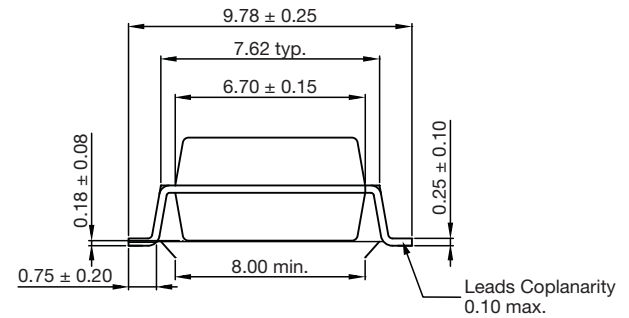
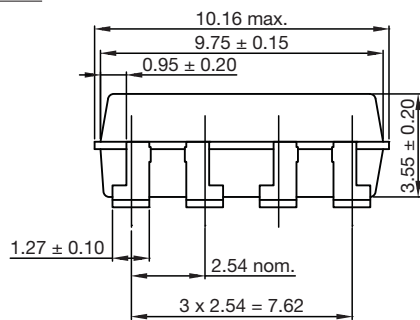


Option 7



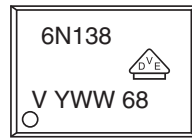
22674

Option 9



22675

**PACKAGE MARKING** (example)



**Note**

- Basic product marking only, refer to “Option Information” document ([www.vishay.com/doc?83713](http://www.vishay.com/doc?83713)) for option marking

**TAPE AND REEL DIMENSIONS** in millimeters

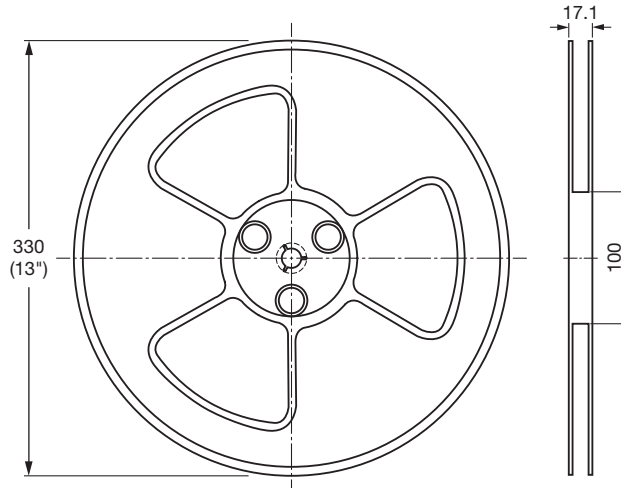


Fig. 3 - Reel Dimensions (3000 units per reel)

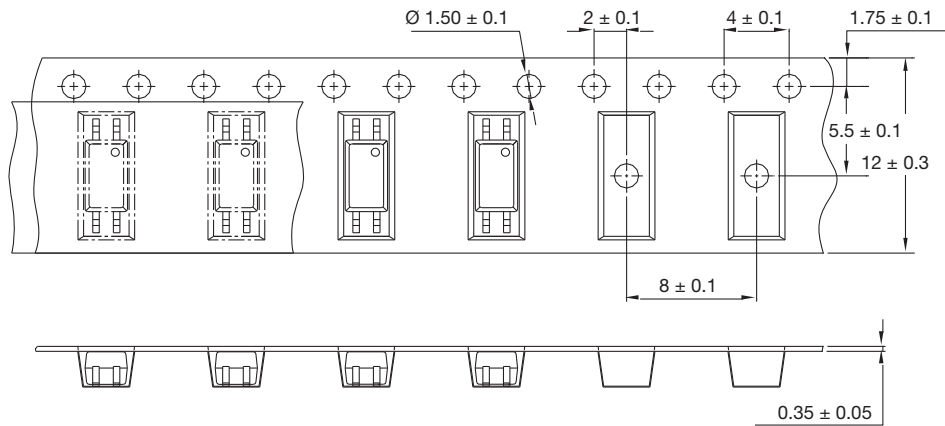


Fig. 4 - Tape Dimensions

**SOLDER PROFILES**

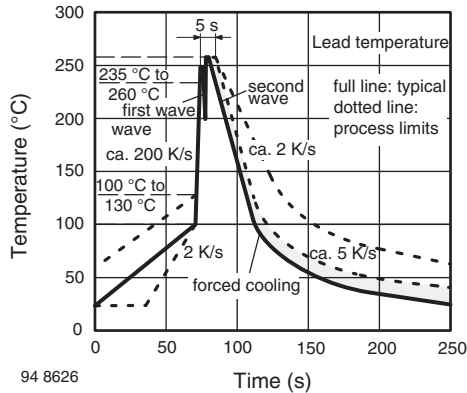


Fig. 5 - Wave Soldering Double Wave Profile According to J-STD-020 for DIP-8 Devices

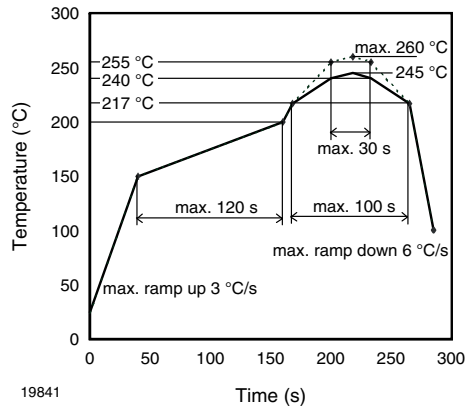


Fig. 6 - Lead (Pb)-free Reflow Solder Profile According to J-STD-020 for SMD-8 Devices

**HANDLING AND STORAGE CONDITIONS**

ESD level: HBM class 2

Floor life: unlimited

Conditions:  $T_{amb} < 30\text{ °C}$ , RH < 85 %

Moisture sensitivity level 1, according to J-STD-020





## **Disclaimer**

ALL PRODUCT, PRODUCT SPECIFICATIONS AND DATA ARE SUBJECT TO CHANGE WITHOUT NOTICE TO IMPROVE RELIABILITY, FUNCTION OR DESIGN OR OTHERWISE.

Vishay Intertechnology, Inc., its affiliates, agents, and employees, and all persons acting on its or their behalf (collectively, "Vishay"), disclaim any and all liability for any errors, inaccuracies or incompleteness contained in any datasheet or in any other disclosure relating to any product.

Vishay makes no warranty, representation or guarantee regarding the suitability of the products for any particular purpose or the continuing production of any product. To the maximum extent permitted by applicable law, Vishay disclaims (i) any and all liability arising out of the application or use of any product, (ii) any and all liability, including without limitation special, consequential or incidental damages, and (iii) any and all implied warranties, including warranties of fitness for particular purpose, non-infringement and merchantability.

Statements regarding the suitability of products for certain types of applications are based on Vishay's knowledge of typical requirements that are often placed on Vishay products in generic applications. Such statements are not binding statements about the suitability of products for a particular application. It is the customer's responsibility to validate that a particular product with the properties described in the product specification is suitable for use in a particular application. Parameters provided in datasheets and / or specifications may vary in different applications and performance may vary over time. All operating parameters, including typical parameters, must be validated for each customer application by the customer's technical experts. Product specifications do not expand or otherwise modify Vishay's terms and conditions of purchase, including but not limited to the warranty expressed therein.

Except as expressly indicated in writing, Vishay products are not designed for use in medical, life-saving, or life-sustaining applications or for any other application in which the failure of the Vishay product could result in personal injury or death. Customers using or selling Vishay products not expressly indicated for use in such applications do so at their own risk. Please contact authorized Vishay personnel to obtain written terms and conditions regarding products designed for such applications.

No license, express or implied, by estoppel or otherwise, to any intellectual property rights is granted by this document or by any conduct of Vishay. Product names and markings noted herein may be trademarks of their respective owners.