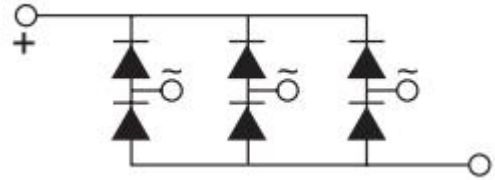


Three Phases Bridge Module

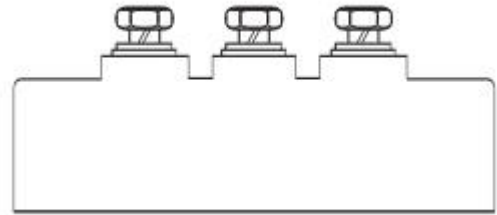
FEATURES

- The chips are electrically insulated from bosom plate
- High surge current
- Low forward voltage drop
- Minimum Lot-to-Lot variations for robust device performance and reliable operation



APPLICATIONS

- AC, DC Motor Drive/AVR/Switching for three phase rectification



ABSOLUTE MAXIMUM RATINGS

SYMBOL	PARAMETER	CONDITIONS	VALUE	UNIT
V_{RRM}	Repetitive Peak Reverse Voltage	$T_p=10ms$	1200	V
I_o	Output Current (D.C)	$T_c=100^{\circ}C$	100	A
I_{FSM}	Surge Forward Current	Half-sine wave, 10ms, $V_R=0.6V_{RRM}$	1200	A
I^2t	I^2t for fusing		7200	A ² S
V_{iso}	Maximum Power Dissipation	50Hz, R.M.S, $t=1ms, I_{iso}=1mA(max)$	2500	V
T_J	Junction Temperature		-40~150	$^{\circ}C$
T_{stg}	Storage Temperature Range		-40~125	$^{\circ}C$

THERMAL CHARACTERISTICS

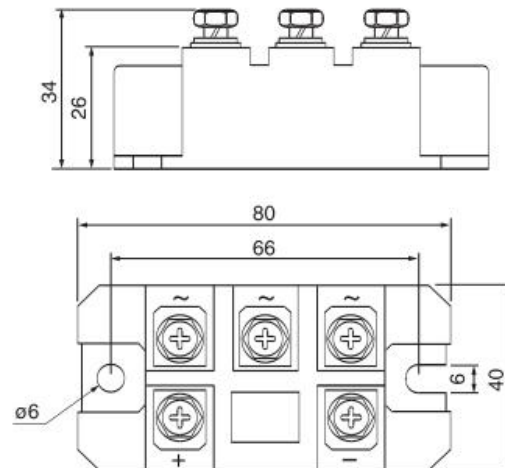
SYMBOL	PARAMETER	MAX	UNIT
$R_{th\ j-c}$	Thermal Resistance, Junction to Case	0.2	$^{\circ}C/W$

ELECTRICAL CHARACTERISTICS

SYMBOL	PARAMETER	CONDITIONS	MAX	UNIT
V_F	Forward Voltage drop	$I_F=100A; T_J=25^{\circ}C$	1.3	V
I_{RRM}	Repetitive Peak Reverse Current	$V_R=V_{RRM}; T_J=150^{\circ}C$	8	mA

OUTLINE DRAWING

Dimensions in mm (1mm = 0.0394")



NOTICE:

ISC reserves the rights to make changes of the content herein the datasheet at any time without notification. The information contained herein is presented only as a guide for the applications of our products.

ISC products are intended for usage in general electronic equipment. The products are not designed for use in equipment which require specialized quality and/or reliability, or in equipment which could have applications in hazardous environments, aerospace industry, or medical field. Please contact us if you intend our products to be used in these special applications.

ISC makes no warranty or guarantee regarding the suitability of its products for any particular purpose, nor does ISC assume any liability arising from the application or use of any products, and specifically disclaims any and all liability, including without limitation special, consequential or incidental damages.