

This document was generated on 03/31/2010

PLEASE CHECK WWW.MOLEX.COM FOR LATEST PART INFORMATION

Part Number: [0025026024](#)
Status: **Active**
Description: 2.54mm (.100") Pitch C-Grid® Header, Dual Row, Shrouded, with PC Slot and Guide Ear, 24 Circuits, 0.38µm (15µ") Gold (Au) Selective Plating

Documents:

[3D Model](#) [Product Specification PS-70204 \(PDF\)](#)
[Drawing \(PDF\)](#) [RoHS Certificate of Compliance \(PDF\)](#)

Agency Certification

CSA LR19980
 UL E29179

General

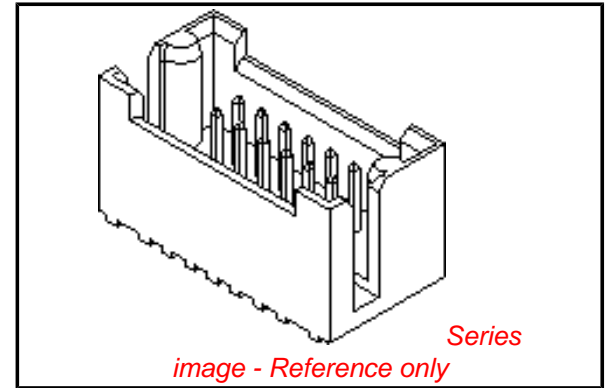
Product Family PCB Headers
 Series [70204](#)
 Application Board-to-Board
 Product Name C-Grid®

Physical

Breakaway No
 Circuits (Loaded) 24
 Circuits (maximum) 24
 Color - Resin Black
 Durability (mating cycles max) 50
 Flammability 94V-0
 Glow-Wire Compliant No
 Guide to Mating Part Yes
 Lock to Mating Part None
 Material - Metal Brass, Phosphor Bronze
 Material - Plating Mating Gold
 Material - Plating Termination Tin
 Material - Resin Nylon
 Number of Rows 2
 Orientation Vertical
 PC Tail Length (in) 0.110 In
 PC Tail Length (mm) 2.79 mm
 PCB Locator No
 PCB Retention None
 Packaging Type Tray
 Pitch - Mating Interface (in) 0.100 In
 Pitch - Mating Interface (mm) 2.54 mm
 Plating min: Mating (µin) 15
 Plating min: Mating (µm) 0.38
 Plating min: Termination (µin) 75
 Plating min: Termination (µm) 1.91
 Polarized to Mating Part Yes
 Polarized to PCB No
 Shrouded Fully
 Stackable No
 Temperature Range - Operating -40°C to +105°C
 Termination Interface: Style Through Hole

Electrical

Current - Maximum per Contact 3A
 Voltage - Maximum 250V



EU RoHS

ELV and RoHS Compliant
REACH SVHC Contains SVHC: No
Halogen-Free Status

China RoHS



Not Reviewed

Need more information on product environmental compliance?

Email productcompliance@molex.com
 For a multiple part number RoHS Certificate of Compliance, [click here](#)

Please visit the [Contact Us](#) section for any non-product compliance questions.

Search Parts in this Series

[70204Series](#)

Mates With

[71973](#)

Solder Process Data

| | |
|--|------------------------|
| Duration at Max. Process Temperature (seconds) | 5 |
| Lead-free Process Capability | Wave Capable (TH only) |
| Max. Cycles at Max. Process Temperature | 1 |
| Process Temperature max. C | 245 |

Material Info

| | |
|-----------------|------------|
| Old Part Number | 70204-0267 |
|-----------------|------------|

Reference - Drawing Numbers

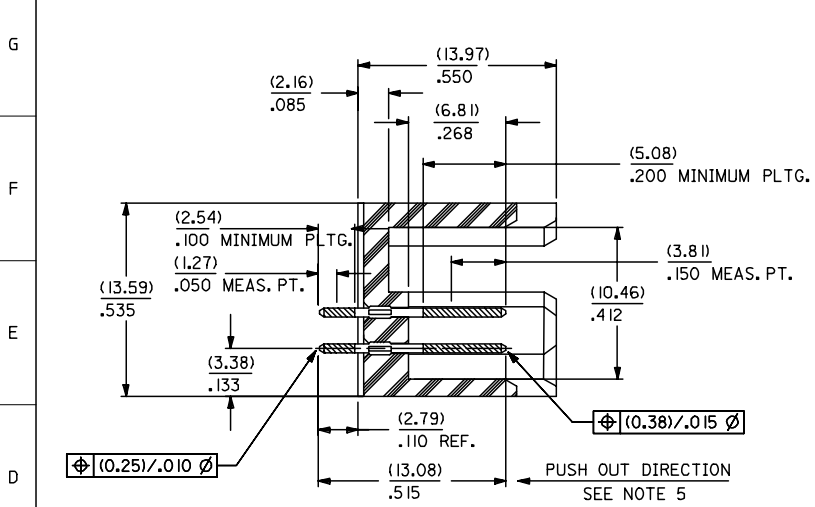
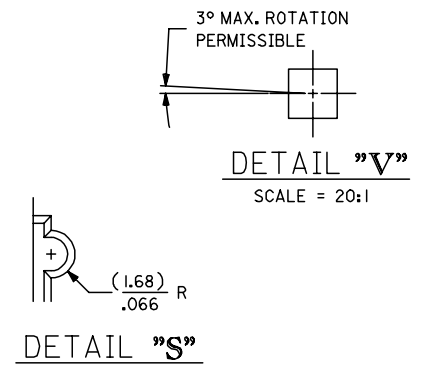
| | |
|-----------------------|---------------------|
| Product Specification | PS-70204 |
| Sales Drawing | SDA-70204-0257-0320 |

This document was generated on 03/31/2010

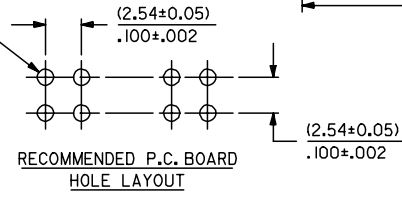
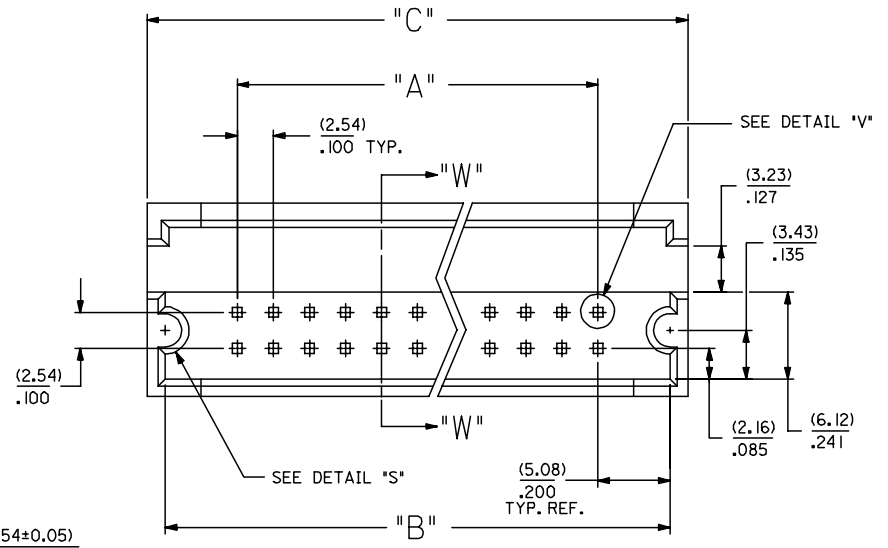
PLEASE CHECK WWW.MOLEX.COM FOR LATEST PART INFORMATION

| CKT. SIZE | PART NUMBER | ENG. NUMBER SDA-70204- | DIM. "A" | | DIM. "B" | | DIM. "C" | |
|-----------|-------------|------------------------|----------|-------|----------|-------|----------|-------|
| | | | MM | IN. | MM | IN. | MM | IN. |
| 08 | 25-02-6008 | 0259 | 7,62 | .300 | 17,78 | .700 | 20,32 | .800 |
| 10 | 25-02-6010 | 0260 | 10,16 | .400 | 20,32 | .800 | 22,86 | .900 |
| 12 | 25-02-6012 | 0261 | 12,70 | .500 | 22,86 | .900 | 25,40 | 1.000 |
| 14 | 25-02-6014 | 0262 | 15,24 | .600 | 25,40 | 1.000 | 32,51 | 1.100 |
| 16 | 25-02-6016 | 0263 | 17,78 | .700 | 27,94 | 1.100 | 30,48 | 1.200 |
| 18 | 25-02-6018 | 0264 | 20,32 | .800 | 30,48 | 1.200 | 33,02 | 1.300 |
| 20 | 25-02-6020 | 0265 | 22,86 | .900 | 33,02 | 1.300 | 35,56 | 1.400 |
| 22 | 25-02-6022 | 0266 | 25,40 | 1.000 | 35,56 | 1.400 | 38,10 | 1.500 |
| 24 | 25-02-6024 | 0267 | 27,94 | 1.100 | 38,10 | 1.500 | 40,64 | 1.600 |
| 26 | 25-02-6026 | 0268 | 30,48 | 1.200 | 40,64 | 1.600 | 43,10 | 1.700 |
| 28 | 25-02-6028 | 0269 | 33,02 | 1.300 | 43,10 | 1.700 | 45,72 | 1.800 |
| 30 | 25-02-6030 | 0270 | 35,56 | 1.400 | 45,72 | 1.800 | 48,26 | 1.900 |
| 32 | 25-02-6032 | 0271 | 38,10 | 1.500 | 48,26 | 1.900 | 50,80 | 2.000 |
| 34 | 25-02-6034 | 0272 | 40,64 | 1.600 | 50,80 | 2.000 | 53,34 | 2.100 |
| 36 | 25-02-6036 | 0273 | 43,10 | 1.700 | 53,34 | 2.100 | 55,88 | 2.200 |
| 38 | 25-02-6038 | 0274 | 45,72 | 1.800 | 55,88 | 2.200 | 58,42 | 2.300 |
| 40 | 25-02-6040 | 0275 | 48,26 | 1.900 | 58,42 | 2.300 | 60,96 | 2.400 |

| CKT. SIZE | PART NUMBER | ENG. NUMBER SDA-70204- | DIM. "A" | | DIM. "B" | | DIM. "C" | |
|-----------|-------------|------------------------|----------|-------|----------|-------|----------|-------|
| | | | MM | IN. | MM | IN. | MM | IN. |
| 42 | 25-02-6042 | 0276 | 50,80 | 2.000 | 60,96 | 2.400 | 63,50 | 2.500 |
| 44 | 25-02-6044 | 0277 | 53,34 | 2.100 | 63,50 | 2.500 | 66,04 | 2.600 |
| 46 | 25-02-6046 | 0278 | 55,88 | 2.200 | 66,04 | 2.600 | 68,58 | 2.700 |
| 48 | 25-02-6048 | 0279 | 58,42 | 2.300 | 68,58 | 2.700 | 71,12 | 2.800 |
| 50 | 25-02-6050 | 0280 | 60,96 | 2.400 | 71,12 | 2.800 | 73,66 | 2.900 |
| 52 | 25-02-6052 | 0281 | 63,50 | 2.500 | 73,66 | 2.900 | 76,20 | 3.000 |
| 54 | 25-02-6054 | 0282 | 66,04 | 2.600 | 76,20 | 3.000 | 78,74 | 3.100 |
| 56 | 25-02-6056 | 0283 | 68,58 | 2.700 | 78,74 | 3.100 | 81,28 | 3.200 |
| 58 | 25-02-6058 | 0284 | 71,12 | 2.800 | 81,28 | 3.200 | 83,82 | 3.300 |
| 60 | 25-02-6060 | 0285 | 73,66 | 2.900 | 83,82 | 3.300 | 86,36 | 3.400 |
| 62 | 25-02-6062 | 0286 | 76,20 | 3.000 | 86,36 | 3.400 | 88,90 | 3.500 |
| 64 | 25-02-6064 | 0287 | 78,74 | 3.100 | 88,90 | 3.500 | 91,44 | 3.600 |
| 66 | 25-02-6066 | 0288 | 81,28 | 3.200 | 91,44 | 3.600 | 93,98 | 3.700 |
| 68 | 25-02-6068 | 0289 | 83,82 | 3.300 | 93,98 | 3.700 | 96,52 | 3.800 |
| 70 | 25-02-6070 | 0290 | 86,36 | 3.400 | 96,52 | 3.800 | 99,06 | 3.900 |
| 72 | 25-02-6072 | 0291 | 88,90 | 3.500 | 99,06 | 3.900 | 101,60 | 4.000 |



SECTION W-W



NOTES:

- 1) WAFER MATERIAL: GLASS FILLED NYLON COLOR, BLACK.
- 2) PIN MATERIAL: PHOSPHOR BRONZE ALLOY
- 3) PIN PLATING:
TIP: .000015 MINIMUM GOLD IN SELECTED AREA
TAIL: .000075 MINIMUM TIN IN SELECTED AREA OVER .000050 NICKEL OVER-ALL.
- *THE PRIMARY SHIPPING CARTON WILL BE LABELED "COMPLIANT TO RoHS DIRECTIVE 2002/95/EC AND ELV ANNEX II OF DIRECTIVE 2000/53/EC". CARTONS WITHOUT THIS LABEL MAY CONTAIN PRODUCT WITH LEAD.
- 4) PINS MUST MEET SOLDERABILITY SPEC. NO. 152.
- 5) PIN PUSH-OUT FORCE (1.81 KG.)/4 LBS MINIMUM
- 6) REFER TO P.S. NO. 70204.
- 7) STANDARD PACKAGING PER: PK-70873-0070.

| | | | | | | | |
|--|-------------------------------|---------------------------------------|---|------------|---|------------------------|--|
| REMOVE 0292-0320 FC NO. UCP2007-0113 DRAWN: JORGAN 2006/08/07 CHKD: MS BARRA 2006/08/16 APPR: SMILLER 2006/08/18 | QUALITY SYMBOLS ▽=0 ▽=0 | GENERAL TOLERANCES (UNLESS SPECIFIED) | DIMENSION STYLE | SCALE | DESIGN UNITS | THIRD ANGLE PROJECTION | |
| | | mm INCH | MM/IN | 4:1 | INCH | | |
| | | 4 PLACES ± --- ± --- | DRAWN BY | DATE | TITLE | | |
| | | 3 PLACES ± --- ± .010 | JAS | 1986/05/20 | SHROUDED HEADER DUAL ROW W/PCB SLOTS & GUIDE EARS .100 GRID .025 SQ PIN | | |
| | | 2 PLACES ± 0.25 ± --- | CHECKED BY | DATE | MOLEX INCORPORATED | | |
| | | 1 PLACE ± --- ± --- | EIK | 1986/05/20 | MATERIAL NO. DOCUMENT NO. SHEET NO. | | |
| | | ANGULAR ±1/2° | APPROVED BY | DATE | SDA-70204-0257-0320 1 OF 1 | | |
| | | | WAZ | 1986/05/20 | | | |
| | | | DRAFT WHERE APPLICABLE MUST REMAIN WITHIN DIMENSIONS | | | | |
| | | | SEE TABLE | | | | |
| | | | THIS DRAWING CONTAINS INFORMATION THAT IS PROPRIETARY TO MOLEX INCORPORATED AND SHOULD NOT BE USED WITHOUT WRITTEN PERMISSION | | | | |

www.DataSheetsU.com