

### STANDARD RECOVERY DIODES

### Stud Version

#### Features

- Alloy diode
- Peak reverse voltage up to 1000V
- Popular series for rough service
- Standard JEDEC types
- Stud cathode and stud anode version

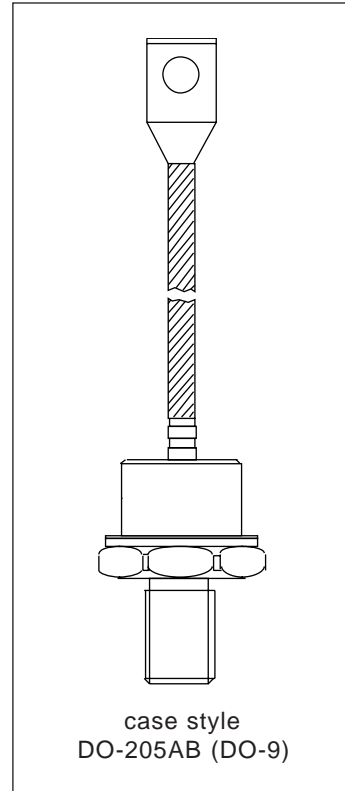
#### Typical Applications

- Welders
- Power supplies
- Motor controls
- Battery chargers
- General industrial current rectification

#### Major Ratings and Characteristics

Parameters	70U	300U	Units
$I_{F(AV)}$	250	300	A
@ $T_C$	150	130	°C
$I_{FSM}$ @ 50Hz	6550		A
@ 60Hz	6850		A
$I^2t$ @ 50Hz	214		KA <sup>2</sup> s
@ 60Hz	195		KA <sup>2</sup> s
$V_{RRM}$ range	100 to 1000	50 to 1000	V
$T_J$	-65 to 200		°C

250A  
300A



## 70/300U(R) Series

Bulletin I2039 11/94

International  
**IR** Rectifier

### ELECTRICAL SPECIFICATIONS

#### Voltage Ratings

Type number *	Voltage Code	$V_{RRM}$ , maximum repetitive peak reverse voltage V	$V_{RSM}$ , maximum non-repetitive peak rev. voltage V	$I_{RRM}$ max. $T_J = 200^\circ\text{C}$ mA
70U	10	100	200	60
	20	200	300	
	40	400	500	
	60	600	720	
	80	800	960	
	100	1000	1200	
Type number	Voltage Code	$V_{RRM}$ , maximum repetitive peak reverse voltage V	$V_{RSM}$ , maximum non-repetitive peak rev. voltage V	$I_{RRM}$ max. $T_J = 175^\circ\text{C}$ mA
300U	5	50	100	40
	10	100	200	40
	20	200	300	40
	30	300	400	40
	40	400	500	40
	60	600	720	40
	80	800	960	35
		100	1000	1200

\* Also available as JEDEC series: 1N3735 through 1N3743; 1N2054 through 1N2068; 1N4044 through 1N4056.

#### Forward Conduction

Parameter	70U	300U	Units	Conditions		
$I_{F(AV)}$ Max. average forward current @ Case temperature	250	300	A	180° conduction, half sine wave		
	150	130	°C			
$I_{FSM}$ Max. peak, one-cycle forward, non-repetitive surge current	6550	A	A	t = 10ms	No voltage reappplied	Sinusoidal half wave, Initial $T_J = T_J$ max.
	6850			t = 8.3ms	100% $V_{RRM}$ reappplied	
	5500			t = 10ms		
	5750			t = 8.3ms		
$I^2t$ Maximum $I^2t$ for fusing	214	KA <sup>2</sup> s	KA <sup>2</sup> s	t = 10ms	No voltage reappplied	
	195			t = 8.3ms	100% $V_{RRM}$ reappplied	
	151			t = 10ms		
	138			t = 8.3ms		
$I^2\sqrt{t}$ Maximum $I^2\sqrt{t}$ for fusing	2140	KA <sup>2</sup> √s	KA <sup>2</sup> √s	t = 0.1 to 10ms, no voltage reappplied		
$V_{F(TO)}$ Max. value of threshold voltage	0.610	V	V	$T_J = 200^\circ\text{C}$		
$r_f$ Max. value of forward slope resistance	0.751	mΩ				
$V_{FM}$ Max. peak forward voltage	1.30	--	V	$(I_{FM} \times \pi \times I_{F(AV)})$ (785A peak), $T_J = 25^\circ\text{C}$		
	--	1.40	V	$(I_{FM} \times \pi \times I_{F(AV)})$ (942A peak), $T_J = 25^\circ\text{C}$		

**Thermal and Mechanical Specifications**

Parameter	70/300U(R)	Units	Conditions
T <sub>J</sub> Max. junction operating temperature range	-65 to 200	°C	
T <sub>stg</sub> Max. storage temperature range	-65 to 200		
R <sub>thJC</sub> Max. thermal resistance, junction to case	0.18	K/W	DC operation
R <sub>thCS</sub> Max. thermal resistance, case to heatsink	0.08		Mounting surface, smooth, flat and greased
T Max. allowed mounting torque +0 -20%	37	Nm	Not lubricated threads
	28		Lubricated threads
wt Approximate weight	250	g	
Case style	DO-205AB (DO-9)**		JEDEC (See Outline Table)

\*\* 302U-A uses IR case style B-26

**ΔR<sub>thJC</sub> Conduction**

(The following table shows the increment of thermal resistance R<sub>thJC</sub> when devices operate at different conduction angles than DC)

Conduction angle	Sinusoidal conduction	Rectangular conduction	Units	Conditions
180°	0.020	0.015	K/W	T <sub>J</sub> = T <sub>J</sub> max.
120°	0.024	0.025		
90°	0.031	0.034		
60°	0.045	0.047		
30°	0.077	0.077		

**Ordering Information Table**

**Device Code**

300	U		R	100	A
①	②	③	④	⑤	⑥

- 1** - 300 = Standard 300U device  
70 = Standard 70U device  
302 = 300U Top Threaded version  
72 = 70U with Pinch Bolt
- 2** - U = Essential Part Number
- 3** - F = Flat Base, available only on 72UF Series  
None = Normal Stud Base 3/4"-16UNF-2A
- 4** - R = Stud Reverse Polarity (Anode to Stud)  
None = Stud Normal Polarity (Cathode to Stud)
- 5** - Voltage code: Code x 10 = V<sub>RRM</sub> (See Voltage Ratings table)
- 6** - A = Essential Part Number only for 300U Series  
None = 70U Series

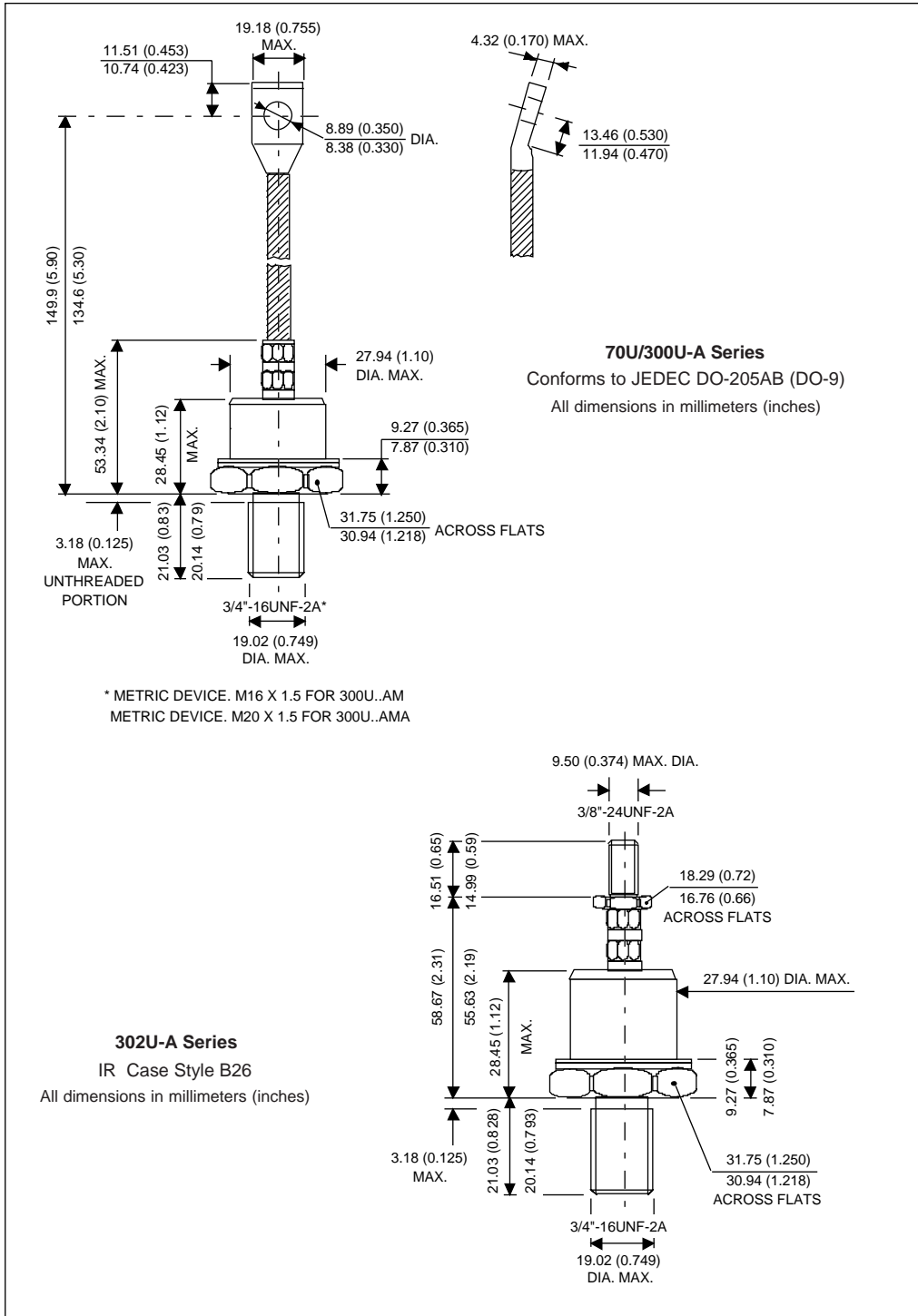
NOTE: For longer lead Contact Factory

# 70/300U(R) Series

Bulletin I2039 11/94

International  
**IR** Rectifier

## Outline Table



Outline Table

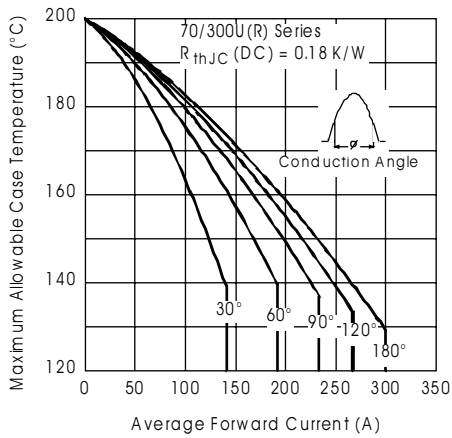
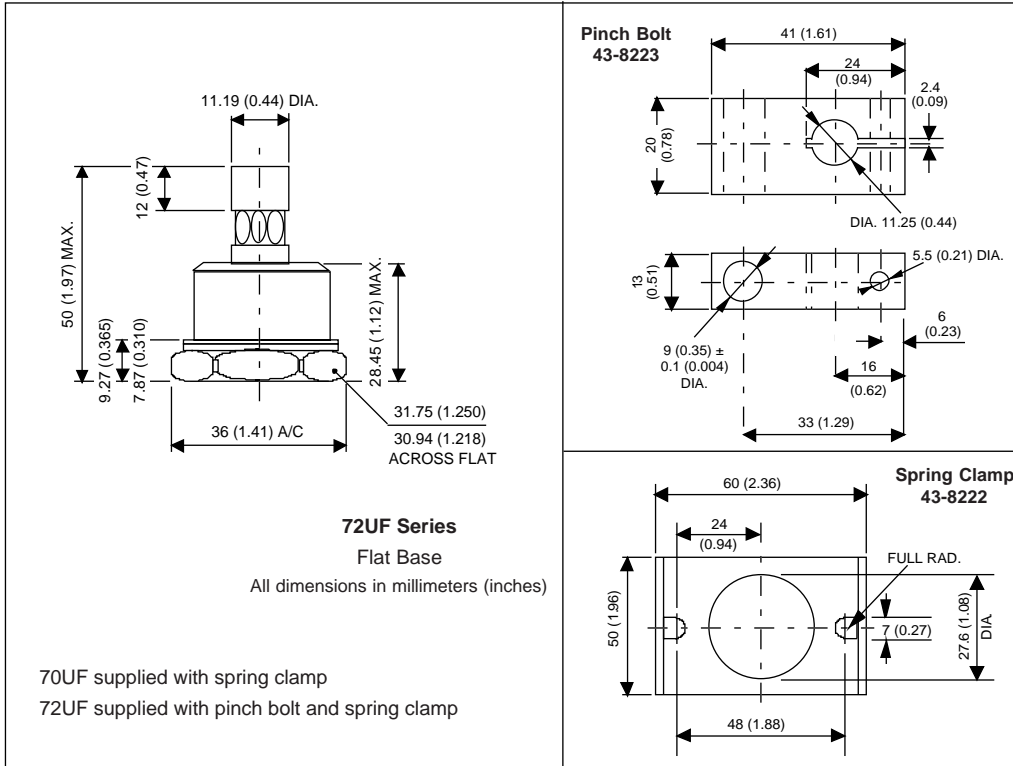


Fig. 1 - Current Ratings Characteristics

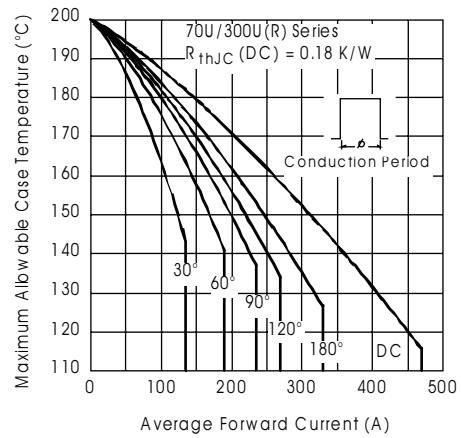


Fig. 2 - Current Ratings Characteristics

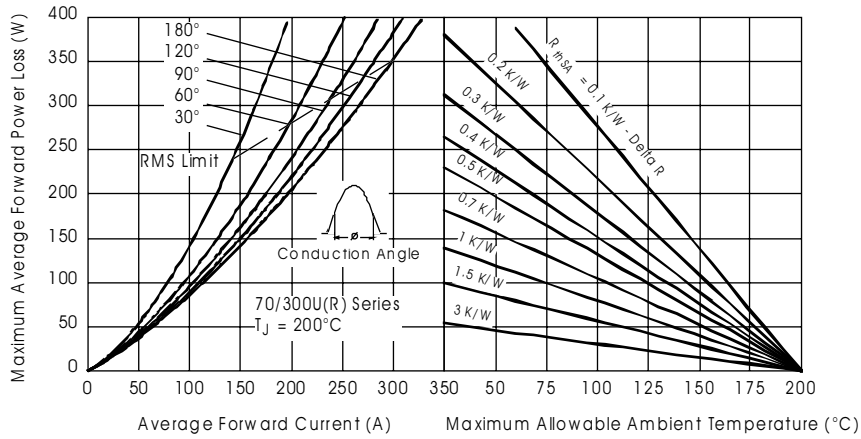


Fig. 3 - Forward Power Loss Characteristics

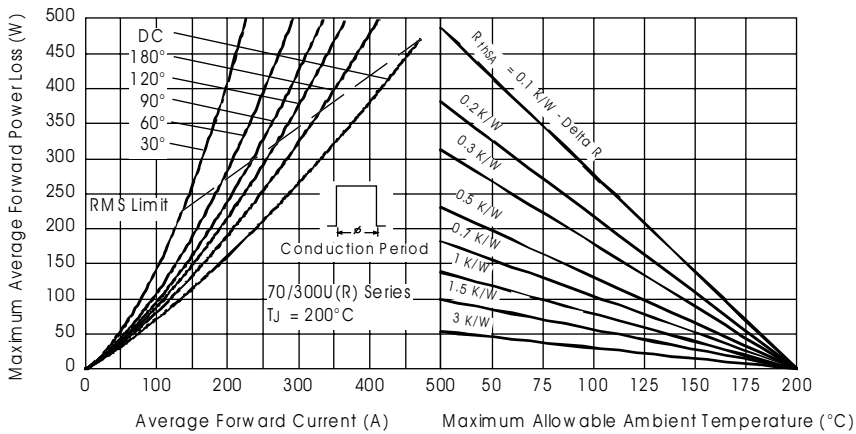


Fig. 4 - Forward Power Loss Characteristics

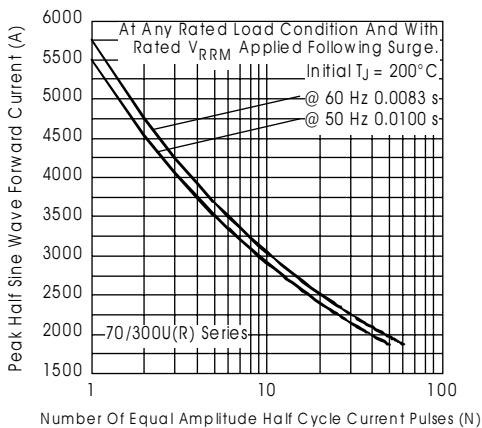


Fig. 5 - Maximum Non-Repetitive Surge Current

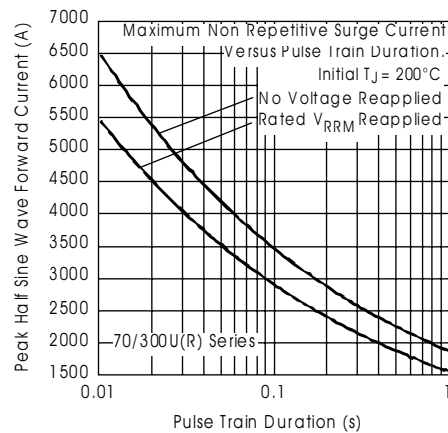


Fig. 6 - Maximum Non-Repetitive Surge Current

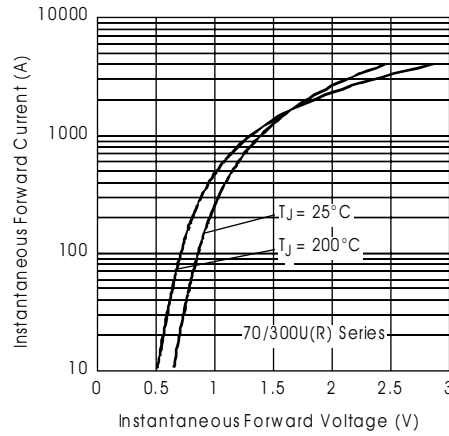


Fig. 7 - Forward Voltage Drop Characteristics

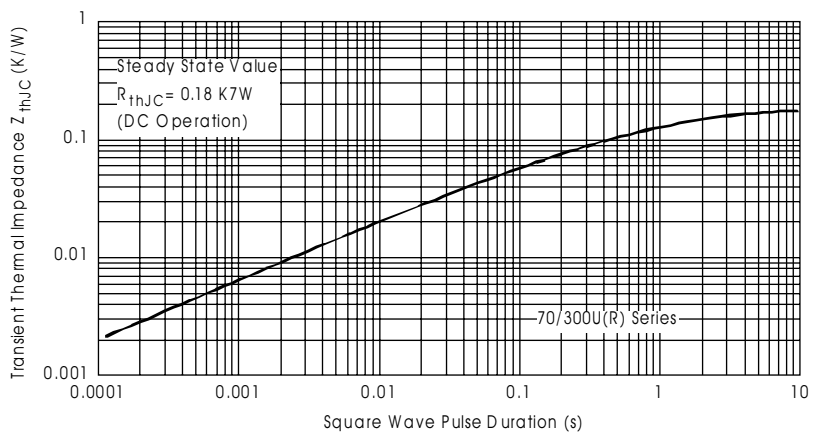


Fig. 8 - Thermal Impedance  $Z_{thJC}$  Characteristic