

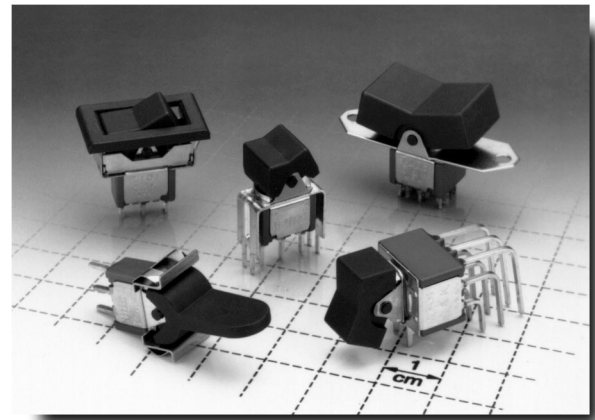


## Features/Benefits

- Multi-pole and multi-position
- Wide variety of actuator and termination options
- Epoxy sealed terminals prevent contamination during soldering

## Typical Applications

- Telecommunications
- Instrumentation
- Medical equipment



## Build-A-Switch

Our easy Build-A-Switch concept allows you to mix and match options to create the switch you need. Below is a complete listing of options shown in catalog. To order, simply select desired option from each category and place in the appropriate box. Switches with standard options are shown on pages F-4 and F-5. Available options are shown and described on pages F-6 thru F-22. For additional options not shown in catalog, consult Customer Service Center. All models have epoxy terminal seal and are compatible with all "bottom-wash" PCB cleaning methods.

Typical Example: 7 1 0 1 — J 1 — Z — Q — E — 2 —  

### Switch Function

- 7101** (STD.) SP On-None-On
- 7103** (STD.) SP On-Off-On
- 7201** (STD.) DP On-None-On
- 7301** (STD.) 3P On-None-On
- 7401** (STD.) 4P On-None-On
- 7105** SP Mom.-Off-Mom.
- 7107** SP On-Off-Mom.
- 7108** SP On-None-Mom.
- 7109** SP None-On-Mom.
- 7203** DP On-Off-On
- 7205** DP Mom.-Off-Mom.
- 7207** DP On-Off-Mom.
- 7208** DP On-None-Mom.
- 7209** DP None-On-Mom.
- 7211** DP On-On-On
- 7213** DP On-On-Mom.
- 7215** DP Mom.-On-Mom.
- 7303** 3P On-Off-On
- 7305** 3P Mom.-Off-Mom.
- 7307** 3P On-Off-Mom.
- 7308** 3P On-None-Mom.
- 7309** 3P None-On-Mom.
- 7403** 4P On-Off-On
- 7405** 4P Mom.-Off-Mom.
- 7407** 4P On-Off-Mom.
- 7408** 4P On-None-Mom.
- 7409** 4P None-On-Mom.
- 7411** 4P On-On-On
- 7413** 4P On-On-Mom.
- 7415** 4P Mom.-On-Mom.

### Actuator

- J1** (STD.) Rocker
- J2** Lever
- J3** Rocker
- J8** Rocker
- J10** Rocker
- J11** Rocker with frame
- J15** Rocker with frame, snap-in
- J16** Rocker, snap-in
- J19** Rocker with frame
- J21** Lever with frame
- J25** Lever, snap-in
- J26** Lever with frame, snap-in
- J37** Rocker with frame
- J50** Rocker
- J51** Rocker with frame
- J52** Rocker with frame & LED, snap-in
- J53** Rocker, snap-in
- J60** Lever
- J61** Lever with frame, snap-in
- J62** Lever with frame & LED, snap-in
- J63** Lever, snap-in
- J76** Rocker with frame, snap-in
- J90** Lever
- J91** Lever with frame, snap-in
- J92** Lever with frame & LED, snap-in
- J93** Lever, snap-in

### Terminations

- A** (STD.) Right angle, PC thru-hole
- AV2** (STD.) Vertical right angle, PC thru-hole
- C** (STD.) PC Thru-hole
- Z** (STD.) Solder lug
- A3** Right angle, snap-in, PC thru-hole
- AV3** Vertical right angle, snap-in, PC thru-hole
- AW** Right angle, extended, PC thru-hole
- AW1** Right angle, extended, PC thru-hole
- AW3** Right angle, extended, PC thru-hole
- AW4** Right angle, extended, PC thru-hole
- V2** .555" high, V-bracket
- V3** .460" high, V-bracket
- V4** .630" high, V-bracket
- V5** Vertical right angle, PC thru-hole
- V6** .460" high, V-bracket
- V7** .630" high, V-bracket
- V8** .953" high, V-bracket
- V9** 1.150" high, V-bracket
- V21** .555" high, V-bracket, snap-in
- V31** .460" high, V-bracket, snap-in
- V41** .630" high, V-bracket, snap-in
- V51** Vertical right angle, snap-in
- V54** Vertical right angle, extended
- V55** Vertical right angle, extended
- V61** .460" high, V-bracket, snap-in
- V71** .630" high, V-bracket, snap-in
- V81** .953" high, V-bracket, snap-in
- V91** 1.150" high, V-bracket, snap-in

### Contact Material

- B** (STD.) Gold
- Q** (STD.) Silver
- K** Gold
- M** Silver
- G** Gold over silver
- L** Gold over silver

### Seal

- E** (STD.) Epoxy
- I** Epoxy potted base

### Actuator Color

- 2** (STD.) Black
- 1** White
- 3** Red

### Frame Color

- 2** (STD.) Black
- NONE** No frame color required
- 1** White
- 3** Red

### Metal Frame Color (J11, J19, J21, J37 Actuators)

- 2** (STD.) Black
- 1** White
- C** Bright chrome
- S** Satin chrome

- W** .750" long, wire wrap
- W1** .964" long, wire wrap
- W3** .425" long, wire wrap
- W4** 1.062" long, wire wrap
- W5** 1.305" long, wire wrap
- Z3** Quick connect



**F**

**Rocker**

# C&K 7000 Series Rocker and Lever Handle Switches

## Specifications

**CONTACT RATING:** B contact material: 0.4 VA max. @ 20 V AC or DC max. Q contact material: 5 AMPS @ 120 V AC or 28 V DC; 2 AMPS @ 250 V AC. See page F-22 for additional ratings.

**ELECTRICAL LIFE:** 7X01 and UX1 models: 100,000 make-and-break cycles at full load. All other models: 40,000 cycles.

**CONTACT RESISTANCE:** Below 10 milliohms typ. initial @ 2-4 V DC, 100 mA, for both silver and gold plated contacts.

**INSULATION RESISTANCE:**  $10^9$  ohms min.

**DIELECTRIC STRENGTH:** 1000 V RMS min. @ sea level.

**OPERATING TEMPERATURE:**  $-30^{\circ}\text{C}$  to  $85^{\circ}\text{C}$ .

**SOLDERABILITY:** Per MIL-STD-202F method 208D, or EIA RS-186E method 9 (1 hour steam aging).

**NOTE:** Specifications and materials listed above are for switches with standard options. For information on specific and custom switches, consult Customer Service Center.

## Materials

**CASE:** Glass filled nylon 6/6, flame retardant, heat stabilized, or diallyl phthalate (DAP) (UL 94V-0).

**ACTUATOR:** Nylon, black.

**FRAME (FRONT MOUNT):** Nylon, black.

**FRAME (REAR MOUNT):** Spring steel, black.

**BUSHING:** Brass or zinc, nickel plated.

**HOUSING:** Stainless steel.

**SWITCH SUPPORT:** Brass or steel, tin plated.

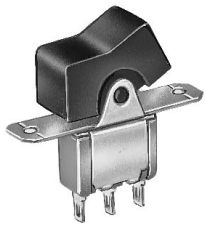
**END CONTACTS:** B contact material: Copper alloy, with gold plate over nickel plate. Q contact material: Coin silver, silver plated. See page F-22 for additional contact materials.

**CENTER CONTACTS & ALL TERMINALS:** B contact material: Copper alloy, with gold plate over nickel plate. Q contact material: Copper alloy, silver plated. See page F-22 for additional contact materials.

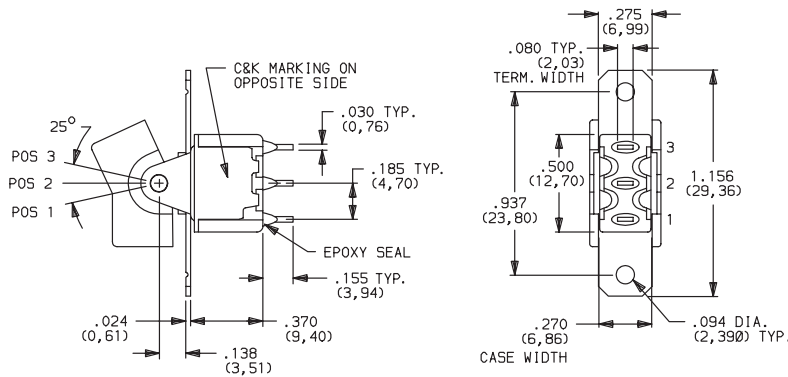
**TERMINAL SEAL:** Epoxy.

**HARDWARE:** Mounting nuts & screws: Brass. Lockwasher: Stainless steel. Standoff: Nylon standard, aluminum available, consult Customer Service Center.

## SWITCHES WITH STANDARD OPTIONS

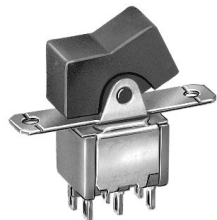


7101J1ZQE2  
SPDT

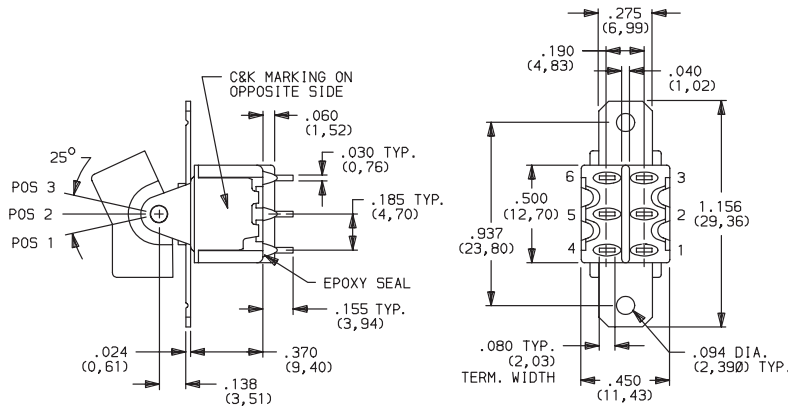


	POS. 1	POS. 2	POS. 3
<b>PART NUMBER</b>			
<b>7101J1ZQE2</b>	ON	NONE	ON

**NOTE:** For PC termination, replace 'Z' with 'C'.  
For panel mounting information, see page F-7.



7201J1ZQE2  
DPDT



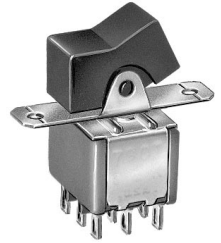
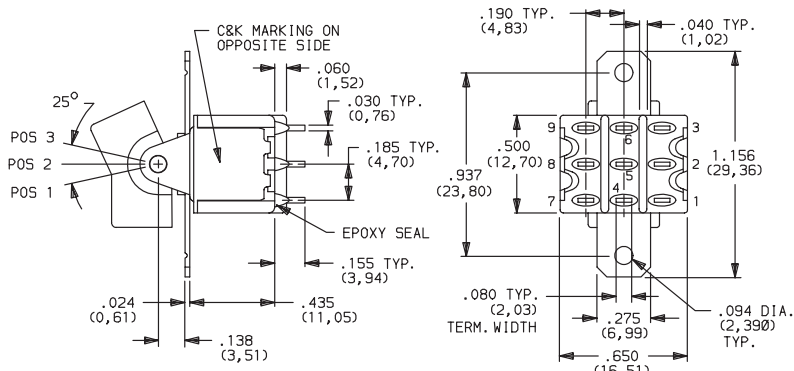
	POS. 1	POS. 2	POS. 3
<b>PART NUMBER</b>			
<b>7201J1ZQE2</b>	ON	NONE	ON

**NOTE:** For PC termination, replace 'Z' with 'C'.  
For panel mounting information, see page F-7.

## SWITCHES WITH STANDARD OPTIONS

PART NUMBER	POS. 1	POS. 2	POS. 3
<b>7301J1ZQE2</b>	ON	NONE	ON

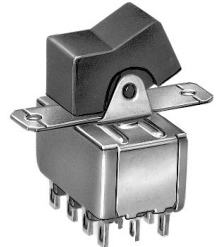
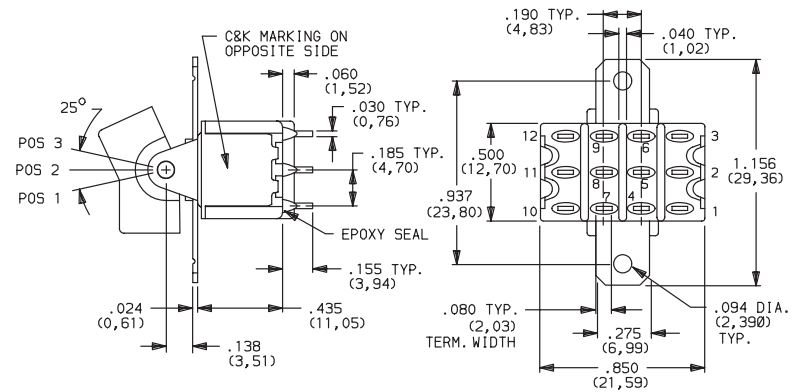
NOTE: For PC termination, replace 'Z' with 'C'.  
For panel mounting information, see page F-7.



**7301J1ZQE2**  
3PDT

PART NUMBER	POS. 1	POS. 2	POS. 3
<b>7401J1ZQE2</b>	ON	NONE	ON

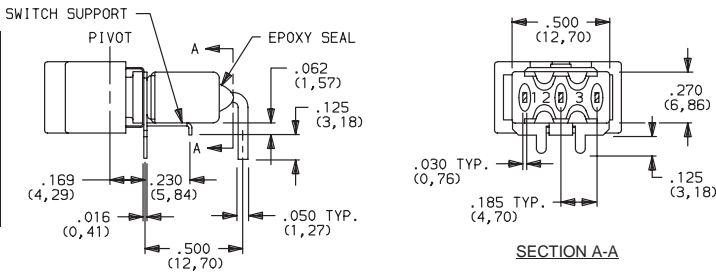
NOTE: For PC termination, replace 'Z' with 'C'.  
For panel mounting information, see page F-7.



**7401J1ZQE2**  
4PDT

PART NUMBER	POS. 1	POS. 2	POS. 3
<b>7101J1ABE2</b>	ON	NONE	ON
<b>7101J1AQE2</b>	ON	NONE	OFF
<b>7103J1ABE2</b>	ON	OFF	ON

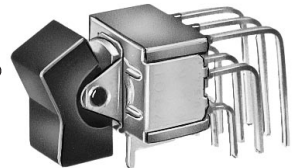
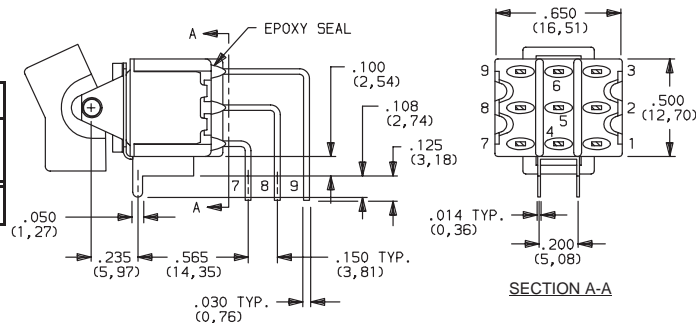
NOTE: For PC mounting information, see page F-15.



**7101J1ABE2**  
Horizontal Actuation  
SPDT

PART NUMBER	POS. 1	POS. 2	POS. 3
<b>7301J1AV2QE2</b>	ON	NONE	ON

NOTE: For PC mounting information, see page F-17.



**7301J1AV2QE2**  
Vertical Actuation  
3PDT



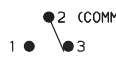
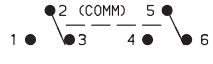
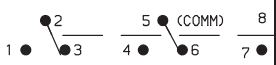

F

Rocker

# C&K 7000 Series Rocker and Lever Handle Switches



www.DataSheet4U.com

## SWITCH FUNCTION

NO. POLES	MODEL NO.	UL/CSA** MODEL NO.	SWITCH FUNCTION			CONNECTED TERMINALS			SCHEMATIC			
			POS. 1	POS. 2	POS. 3	POS. 1	POS. 2	POS. 3				
SP	7101 (STD.)	U11	ON	NONE	ON	2-3	OPEN	2-1				
	7103 (STD.)	U13	ON	OFF	ON							
	7105	U15	MOM.	OFF	MOM.							
	7107	U17	ON	OFF	MOM.							
	7108	U18	ON	NONE	MOM.							
	7109	U19	NONE	ON	MOM.					N/A	2-3	2-1
DP	7201 (STD.)	U21	ON	NONE	ON	2-3,5-6	OPEN	2-1,5-4				
	7203	U23	ON	OFF	ON							
	7205	U25	MOM.	OFF	MOM.							
	7207	U27	ON	OFF	MOM.							
	7208	U28	ON	NONE	MOM.							
	7209	U29	NONE	ON	MOM.					N/A	2-3,5-6	2-1,5-4
	7211*	U211*	ON	ON	ON							
	7213*	U213*	ON	ON	MOM.					2-3,5-6	2-3,5-4	2-1,5-4
7215*	U215*	MOM.	ON	MOM.				DPDT				
3P	7301 (STD.)	U31	ON	NONE	ON	2-3,5-6,8-9	OPEN	2-1,5-4,8-7				
	7303	U33	ON	OFF	ON							
	7305	U35	MOM.	OFF	MOM.							
	7307	U37	ON	OFF	MOM.							
	7308	U38	ON	NONE	MOM.							
	7309	U39	NONE	ON	MOM.					N/A	2-3,5-6,8-9	2-1,5-4,8-7
4P	7401 (STD.)	U41	ON	NONE	ON	2-3,5-6,8-9,11-12	OPEN	2-1,5-4,8-7,11-10				
	7403	U43	ON	OFF	ON							
	7405	U45	MOM.	OFF	MOM.							
	7407	U47	ON	OFF	MOM.							
	7408	U48	ON	NONE	MOM.							
	7409	U49	NONE	ON	MOM.					N/A	2-3,5-6,8-9,11-12	2-1,5-4,8-7,11-10
	7411*	U411*	ON	ON	ON							
	7413*	U413*	ON	ON	MOM.					2-3,5-6,8-9,11-12	2-3,5-4,8-9,11-10	2-1,5-4,8-7,11-10
7415*	U415*	MOM.	ON	MOM.				4PDT				

MOM. = Momentary

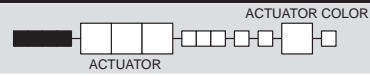
\* Wiring for 3-way switch, see page L-29.

\*\*U11-U415 model nos.   with all options when ordered with G, L, M or Q contact material.



Rocker

## ACTUATOR—PANEL REAR MOUNT



OPTION CODE	ACTUATOR COLOR
2	(STD.) BLACK
1	WHITE
3	RED

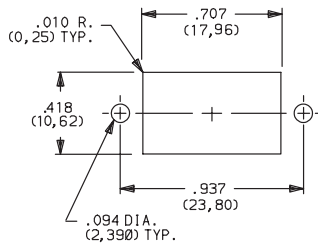
Finish: Matte. Other colors, custom actuator markings and legends available, consult Customer Service Center.

**NOTE:** Hardware: two each—mounting screws, nuts, lockwashers and standoffs for 1/8 inch thick panel are supplied standard on all switches with panel mounting brackets. Hardware is available separately, see section L.

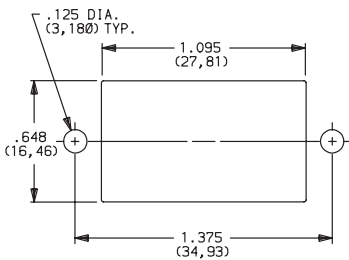
J1, J2, J3, J8 & J10 Actuators available with C, W-W5, Z or Z3 terminations.

### PANEL MOUNTING

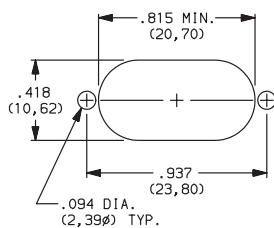
J1 & J2 Actuators



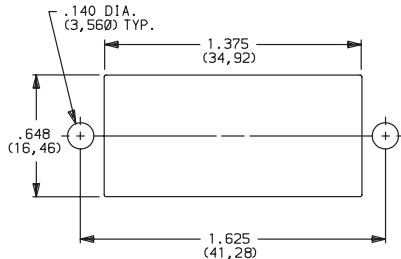
J3 Actuator



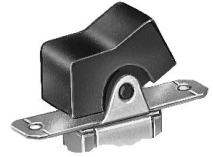
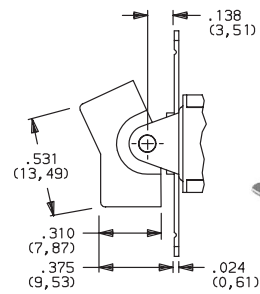
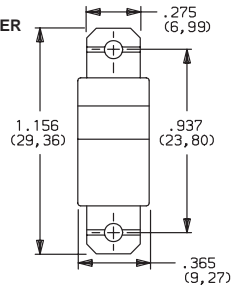
J8 Actuator



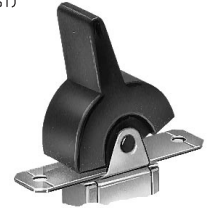
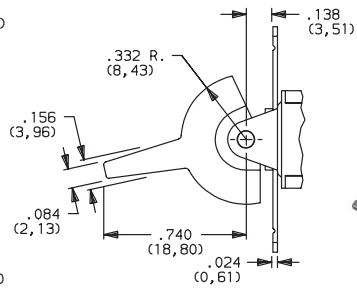
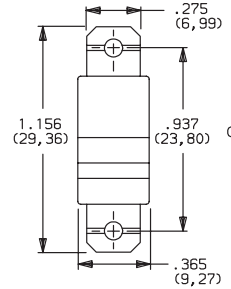
J10 Actuator



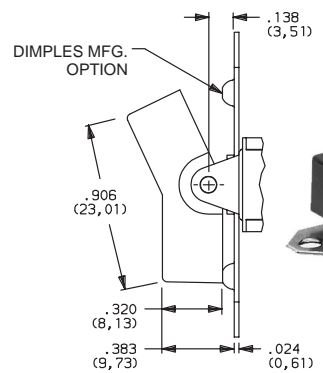
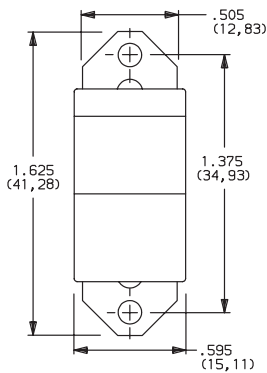
### J1 (STD.) ROCKER



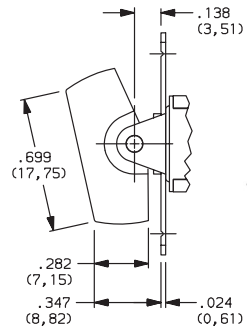
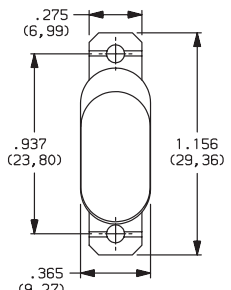
### J2 LEVER



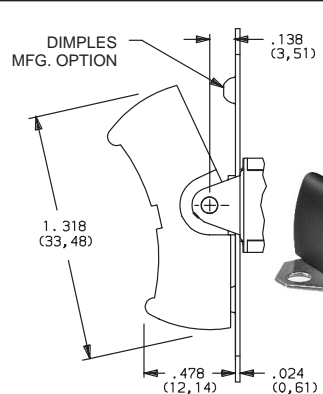
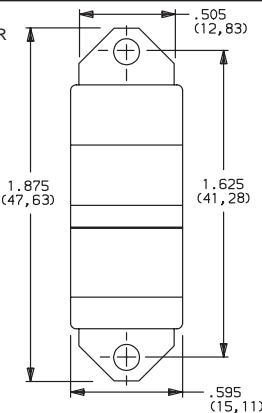
### J3 ROCKER



### J8 ROCKER



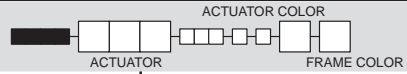
### J10 ROCKER



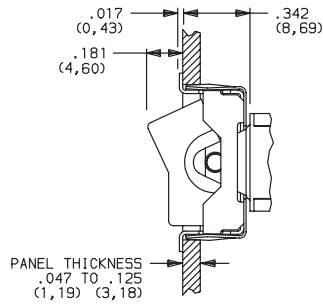
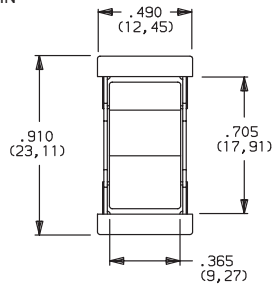
# C&K 7000 Series Rocker and Lever Handle Switches

www.DataSheet4U.com

## ACTUATOR—SNAP-IN FRONT MOUNT

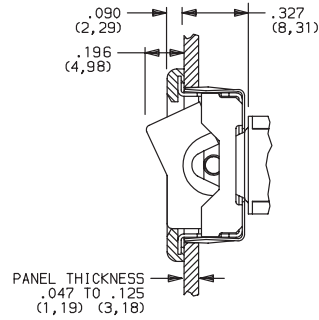
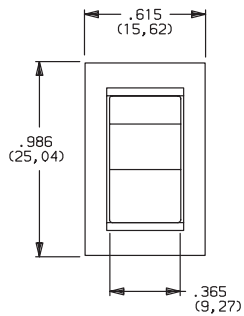


### J15 ROCKER WITH FRAME, SNAP-IN



No frame color choice required.

### J16 ROCKER, SNAP-IN



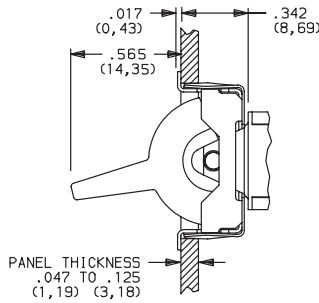
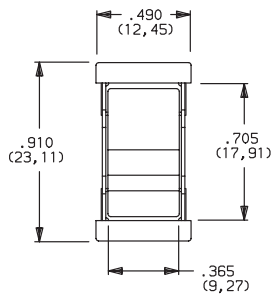
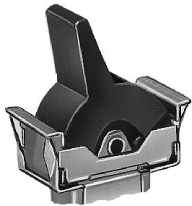
OPTION CODE	ACTUATOR COLOR
<b>2</b>	(STD.) BLACK
<b>1</b>	WHITE
<b>3</b>	RED

OPTION CODE	FRAME COLOR
<b>2</b>	(STD.) BLACK
<b>NONE</b>	No Frame Color (J15 or J25 options)
<b>1</b>	WHITE
<b>3</b>	RED

Finish: Matte. Other colors, custom actuator markings and legends available, consult Customer Service Center.

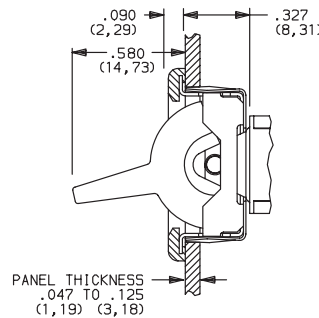
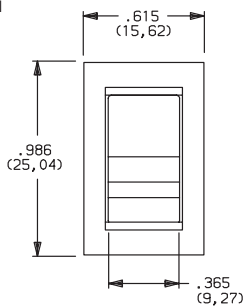
**NOTE:** Frames are available separately, see section L. J15, J16, J25, J26 & J76 Actuators available with 71XX, 72XX, U1XX & U2XX models and C, W-W5, Z and Z3 terminations.

### J25 LEVER, SNAP-IN

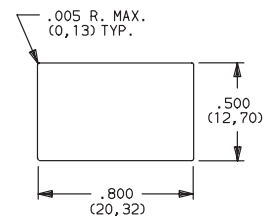


No frame color choice required.

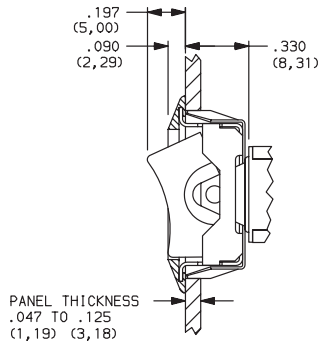
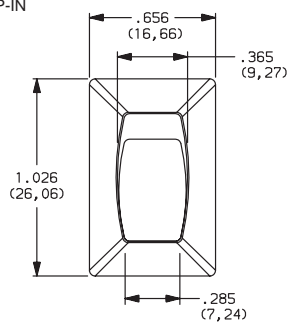
### J26 LEVER WITH FRAME, SNAP-IN



#### PANEL MOUNTING



### J76 ROCKER WITH FRAME, SNAP-IN

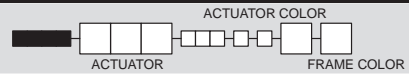


**F**

**Rocker**



## ACTUATOR—SNAP-IN FRONT MOUNT



OPTION CODE	ACTUATOR COLOR
<b>2</b>	(STD.) BLACK
<b>1</b>	WHITE
<b>3</b>	RED

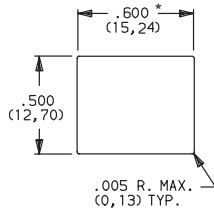
OPTION CODE	FRAME COLOR
<b>2</b>	(STD.) BLACK
<b>NONE</b>	No Frame Color (J50 or J53 options)
<b>1</b>	WHITE
<b>3</b>	RED

Finish: Matte. Other colors, custom actuator markings and legends available, consult Customer Service Center.

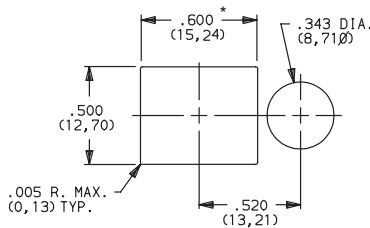
**NOTE:** Frames are available separately, see section L. J50, J51, J52 & J53 Actuators available with 71XX, 72XX, U1XX & U2XX models and C, W-W5, Z and Z3 terminations.

### PANEL MOUNTING

J50, J51 & J53 Actuators

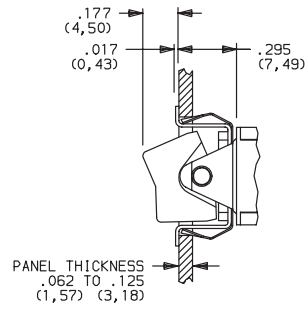
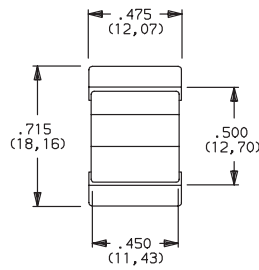


J52 Actuator



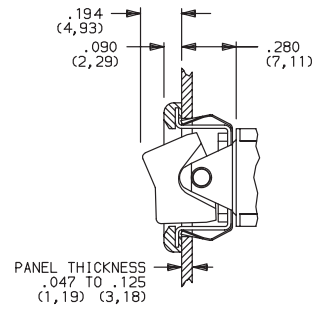
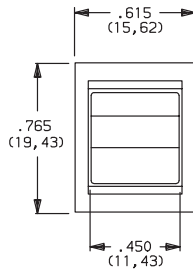
\* For J50: Increase this dimension to .620/.625 (15,75/15,88) for .091/.125 (2,31/3,18) thk. panels. For J51, J52: Increase this dimension to .620/.625 (15,75/15,88) for .060/.125 (1,52/3,18) thk. panels.

### J50 ROCKER, SNAP-IN

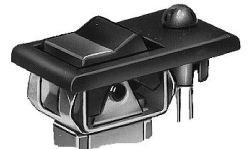
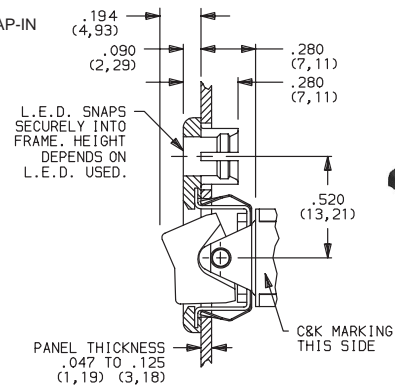
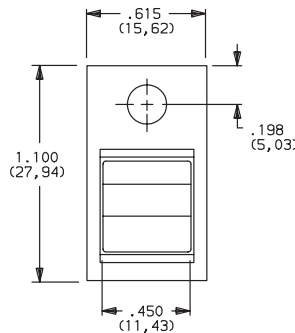


No frame color choice required.

### J51 ROCKER WITH FRAME, SNAP-IN

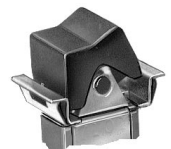
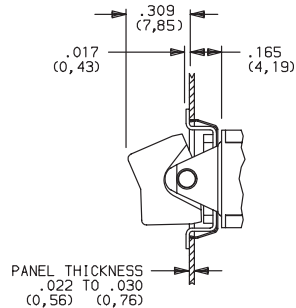
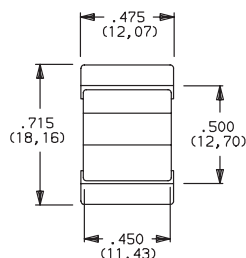


### J52 ROCKER WITH FRAME & LED, SNAP-IN



LED not included. For LED information, see page L-30.

### J53 ROCKER, SNAP-IN



No frame color choice required.



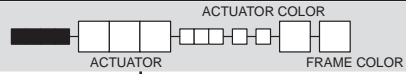
F

Rocker

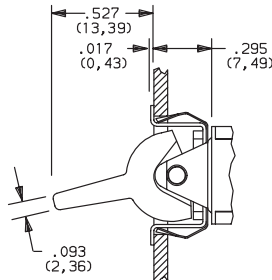
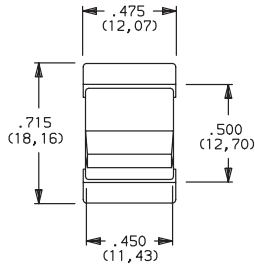
# C&K 7000 Series Rocker and Lever Handle Switches

www.DataSheet4U.com

## ACTUATOR—SNAP-IN FRONT MOUNT



### J60 LEVER, SNAP-IN

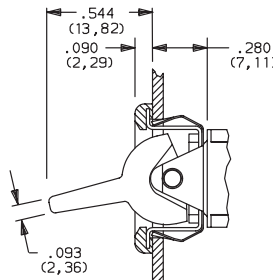
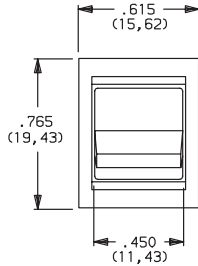


PANEL THICKNESS  
.062 TO .125  
(1,57) (3,18)

No frame color choice required.

OPTION CODE	ACTUATOR COLORS
2	(STD.) BLACK
1	WHITE
3	RED

### J61 LEVER WITH FRAME, SNAP-IN



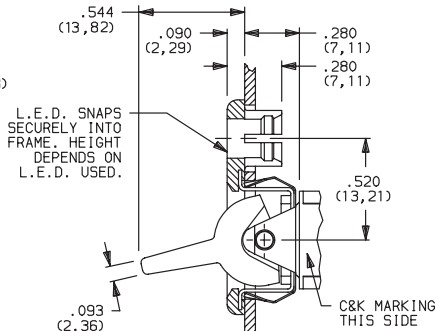
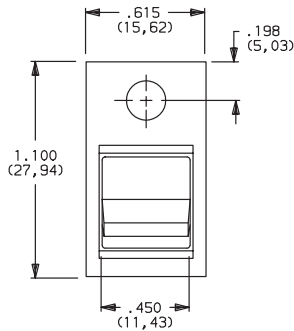
PANEL THICKNESS  
.047 TO .125  
(1,19) (3,18)

OPTION CODE	FRAME COLORS
2	(STD.) BLACK
NONE	No Frame Color (J60 or J63 options)
1	WHITE
3	RED

Finish: Matte. Other colors, custom actuator markings and legends available, consult Customer Service Center.

**NOTE:** Frames are available separately, see section L. J60, J61, J62 & J63 Actuators available with 71XX, 72XX, U1XX & U2XX models and C, W-W5, Z & Z3 terminations.

### J62 LEVER WITH FRAME & LED, SNAP-IN



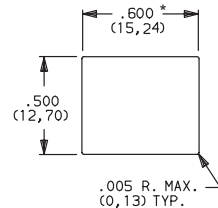
PANEL THICKNESS  
.047 TO .125  
(1,19) (3,18)

L.E.D. SNAPS SECURELY INTO FRAME. HEIGHT DEPENDS ON L.E.D. USED.

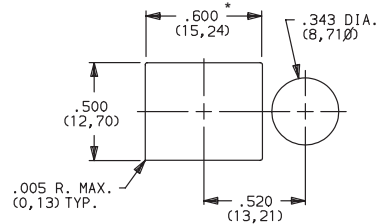
LED not included.  
For LED information, see page L-30.

#### PANEL MOUNTING

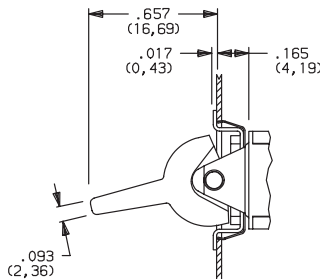
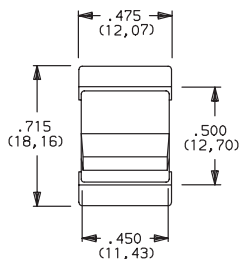
J60, J61 & J63 Actuators



J62 Actuator



### J63 LEVER, SNAP-IN



PANEL THICKNESS  
.022 TO .030  
(0,56) (0,76)

No frame color choice required.

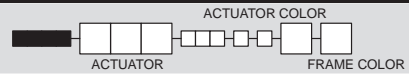
\* For J60: Increase this dimension to .620/.625 (15,75/15,88) for .091/.125 (2,31/3,18) thk. panels. For J61, J62: Increase this dimension to .620/.625 (15,75/15,88) for .060/.125 (1,52/3,18) thk. panels.



Rocker



## ACTUATOR—SNAP-IN FRONT MOUNT



OPTION CODE	ACTUATOR COLOR
<b>2</b>	(STD.) BLACK
<b>1</b>	WHITE
<b>3</b>	RED

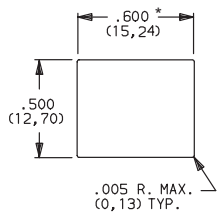
OPTION CODE	FRAME COLOR
<b>2</b>	(STD.) BLACK
<b>NONE</b>	No Frame Color (J90 or J93 options)
<b>1</b>	WHITE
<b>3</b>	RED

Finish: Matte. Other colors, custom actuator markings and legends available, consult Customer Service Center.

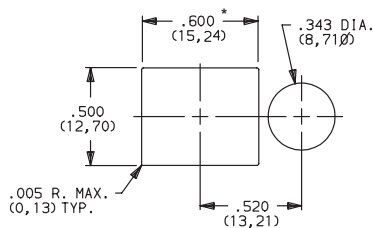
**NOTE:** Frames are available separately, see section L. J90, J91, J92 & J93 Actuators available with 71XX, 72XX, U1XX & U2XX models and C, W-W5, Z & Z3 terminations.

### PANEL MOUNTING

J90, J91 & J93 Actuators

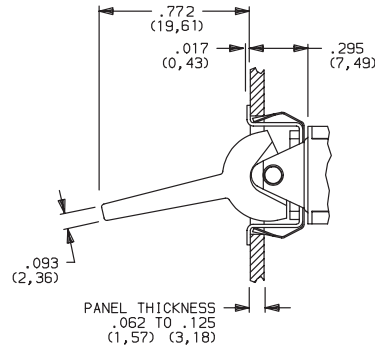
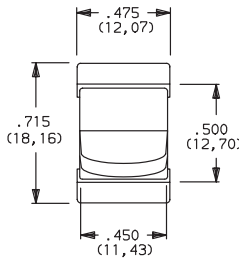


J92 Actuator



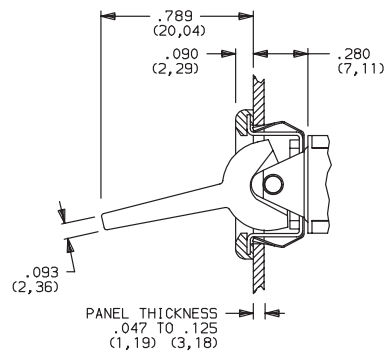
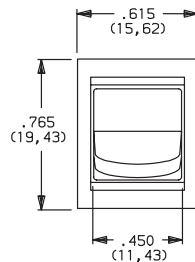
\* For J90: Increase this dimension to .620/.625 (15,75/15,88) for .091/.125 (2,31/3,18) thk. panels. For J91, J92: Increase this dimension to .620/.625 (15,75/15,88) for .060/.125 (1,52/3,18) thk. panels.

### J90 LEVER, SNAP-IN

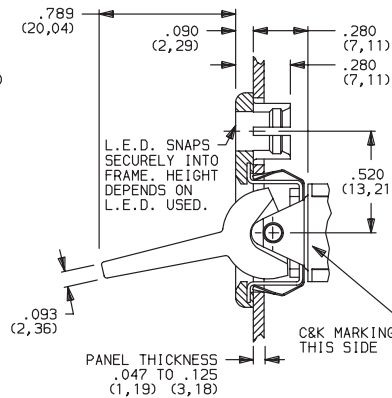
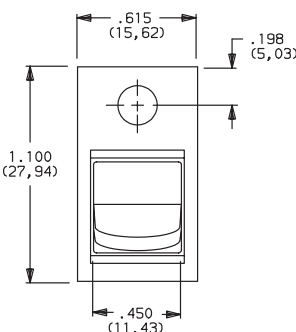


No frame color choice required.

### J91 LEVER WITH FRAME, SNAP-IN

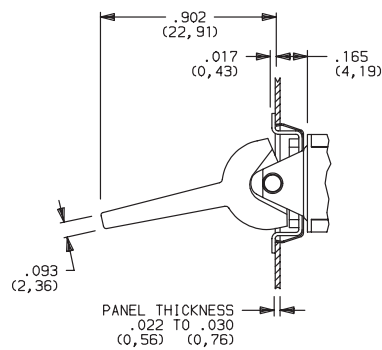
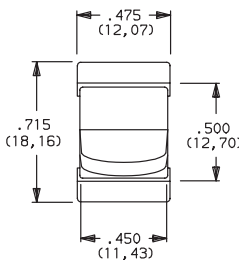


### J92 LEVER WITH FRAME & LED, SNAP-IN



LED not included. For LED information, see page L-30.

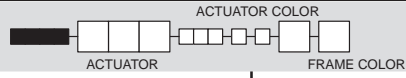
### J93 LEVER, SNAP-IN



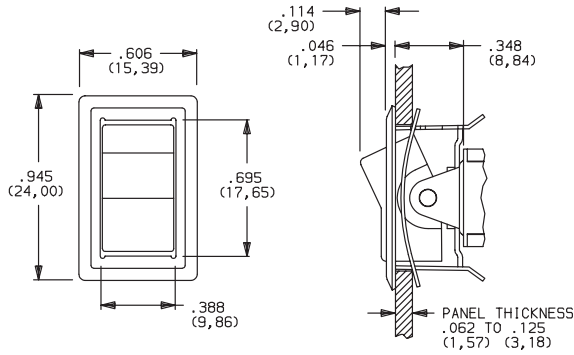
No frame color choice required.

# C&K 7000 Series Rocker and Lever Handle Switches

## ACTUATOR—REAR MOUNT

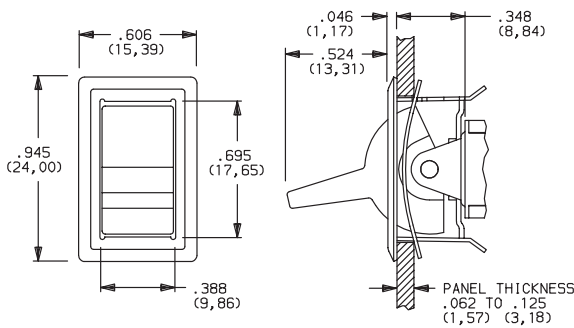


### J11 ROCKER WITH FRAME



OPTION CODE	ACTUATOR COLOR
2	(STD.) BLACK
1	WHITE
3	RED

### J21 LEVER WITH FRAME

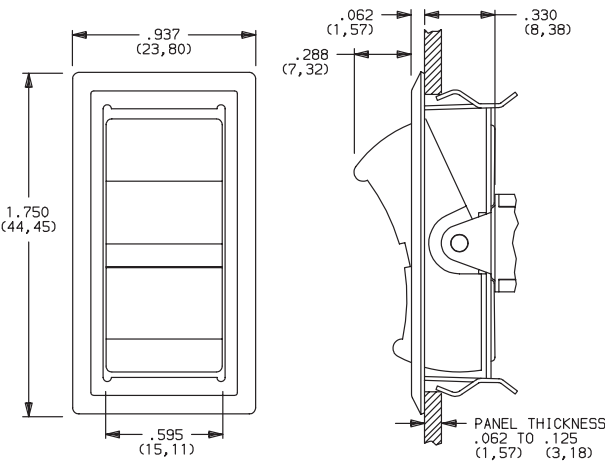
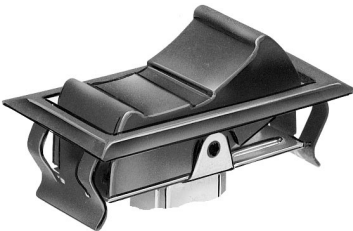


OPTION CODE	FRAME COLOR
2	(STD.) BLACK
1	WHITE
C	BRIGHT CHROME
S	SATIN CHROME

Actuator finish: Matte. Frame finish: Gloss. Other colors, custom actuator markings and legends available, consult Customer Service Center.

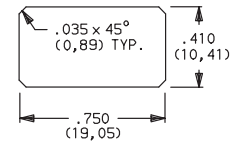
**NOTE:** Frames are available separately, see section L. J11, J19, J21 & J37 Actuators available with C, W-W5, Z & Z3 terminations.

### J19 ROCKER WITH FRAME

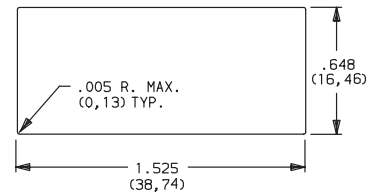


#### PANEL MOUNTING

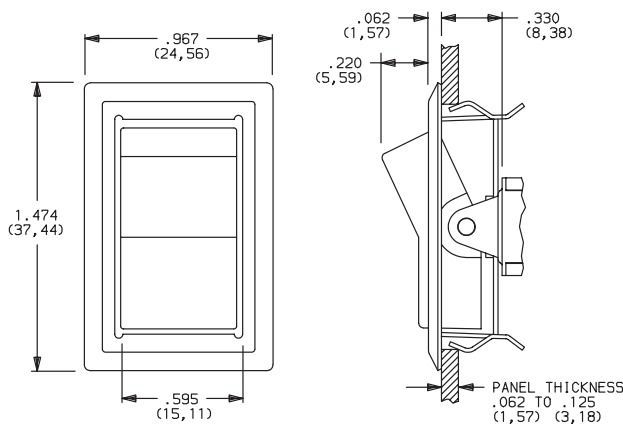
##### J11 & J21 Actuators



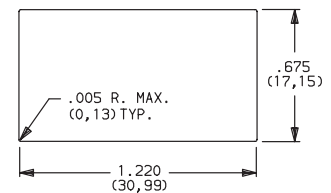
##### J19 Actuator



### J37 ROCKER WITH FRAME

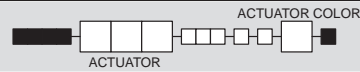


##### J37 Actuator



Rocker

## ACTUATOR—PC MOUNT



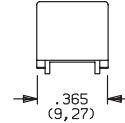
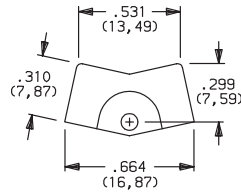
OPTION CODE	ACTUATOR COLOR
2	(STD.) BLACK
1	WHITE
3	RED

Finish: Matte. Other colors, custom actuator markings and legends available, consult Customer Service Center.

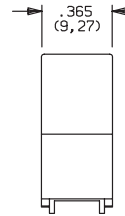
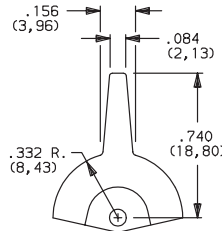
**NOTE:** Some permissible actuator/termination combinations may lack clearance between actuator and PC board, and care must be exercised to accommodate this condition.

Actuators are available separately, see section L. J1, J2 & J8 actuators available with A, A3, AV2, AV3, AW-AW4 & V2-V91 terminations. J3 actuators available with AV2, AV3 & V2-V91 terminations. J50 actuators available with A (DP, 3P models only), A3 (DP, 3P models only), AV2, AV3, AW-AW4 (DP, 3P models only) & V2-V91 terminations.

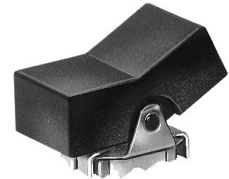
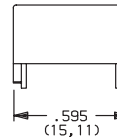
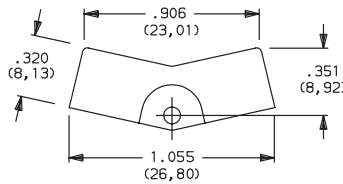
### J1 (STD.) ROCKER



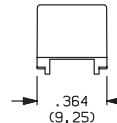
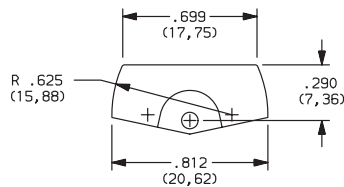
### J2 LEVER



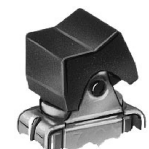
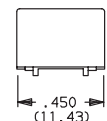
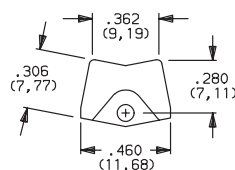
### J3 ROCKER



### J8 ROCKER



### J50 ROCKER



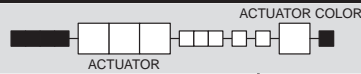
F

Rocker

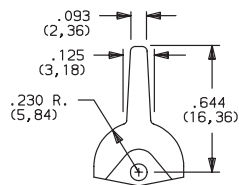
# C&K 7000 Series Rocker and Lever Handle Switches

www.DataSheet4U.com

## ACTUATOR—PC MOUNT



### J60 LEVER



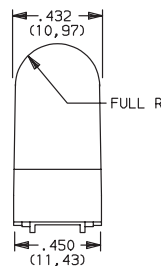
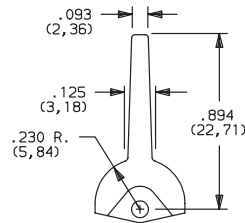
OPTION CODE	ACTUATOR COLOR
2	(STD.) BLACK
1	WHITE
3	RED

Finish: Matte. Other colors, custom actuator markings and legends available, consult Customer Service Center.

**NOTE:** Some permissible actuator/termination combinations may lack clearance between actuator and PC board, and care must be exercised to accommodate this condition.

Actuators are available separately, see section L. J60 & J90 actuators available with A (DP, 3P models only), A3 (DP, 3P models only), AV2, AV3, AW-AW4 (DP, 3P models only) & V2-V91 terminations.

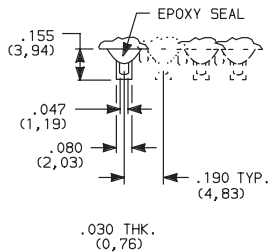
### J90 LEVER



## TERMINATIONS

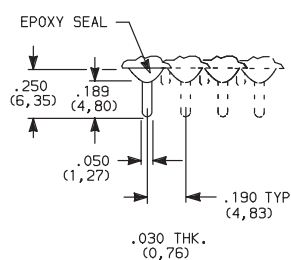


### Z (STD.) SOLDER LUG

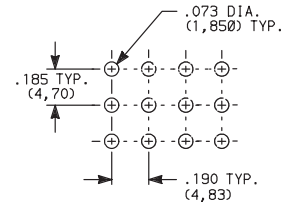


Not available with K, L or M contact materials. Available actuators, see pages F-7 thru F-14.

### C (STD.) PC THRU-HOLE



### PC MOUNTING

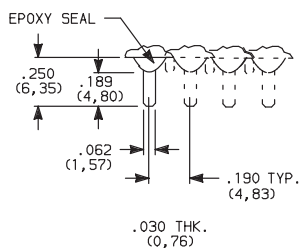


### SPDT thru 4PDT

### SPDT thru 4PDT

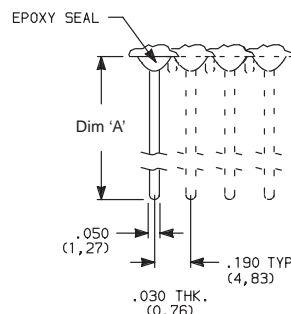
**NOTE:** Available actuators, see pages F-7 thru F-14.

### Z3 QUICK CONNECT



Not available with K, L or M contact materials. Available actuators, see pages F-7 thru F-14. Mating quick connector available; order part number 530100000.

### W, W1, W3, W4, W5 WIRE WRAP



OPTION CODE	DIM 'A'
W	.750 (19,05)
W1	.964 (24,49)
W3	.425 (10,80)
W4	1.062 (26,97)
W5	1.305 (33,15)

### SPDT thru 4PDT

**NOTE:** Available actuators, see pages F-7 thru F-14.

### SPDT thru 4PDT



Cannon

www.DataSheet4U.com

www.ittcannon.com

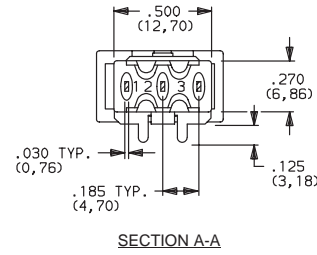
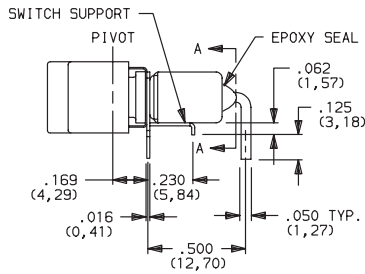
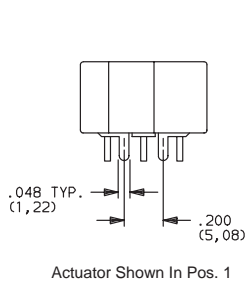


F

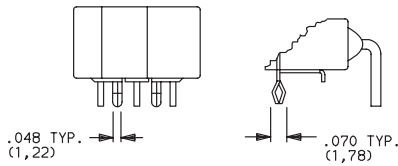
Rocker

## TERMINATIONS

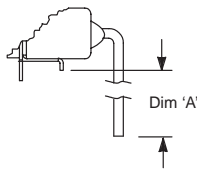
### A (STD.) RIGHT ANGLE, PC THRU-HOLE



### A3 RIGHT ANGLE, SNAP-IN, PC THRU-HOLE

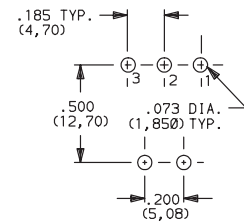


### AW, AW1, AW3, AW4, AW5 RIGHT ANGLE, EXTENDED, PC THRU-HOLE



OPTION CODE	DIM 'A'
<b>AW</b>	.44 (11,2)
<b>AW1</b>	.66 (16,8)
<b>AW3</b>	.14 (3,6)
<b>AW4</b>	.77 (19,6)
<b>AW5</b>	1.02 (25,9)

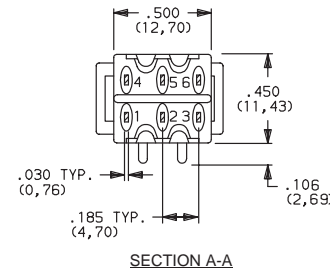
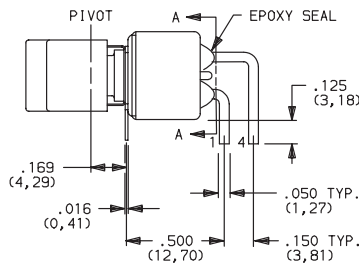
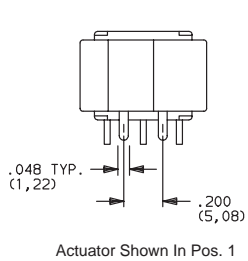
### PC MOUNTING



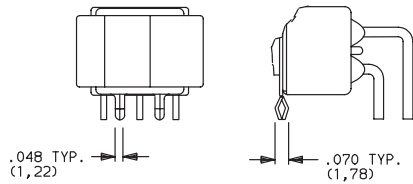
Not available with I seal option. Available actuators, see pages F-13 and F-14.  
Terminal bend radii and lead-in manufacturing option.

NOTE: PC pattern must clear switch support leg.

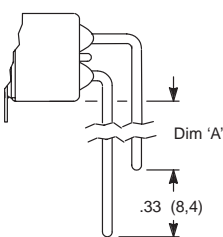
### A (STD.) RIGHT ANGLE, PC THRU-HOLE



### A3 RIGHT ANGLE, SNAP-IN, PC THRU-HOLE

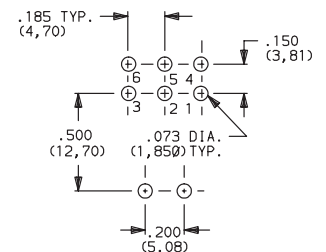


### AW, AW1, AW4, AW5 RIGHT ANGLE, EXTENDED, PC THRU-HOLE



OPTION CODE	DIM 'A'
<b>AW</b>	.19 (4,8)
<b>AW1</b>	.40 (10,2)
<b>AW4</b>	.50 (12,7)

### PC MOUNTING



Not available with I seal option. Available actuators, see pages F-13 and F-14.  
Terminal bend radii and lead-in manufacturing option.



F

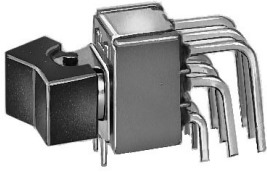
Rocker

# C&K 7000 Series Rocker and Lever Handle Switches

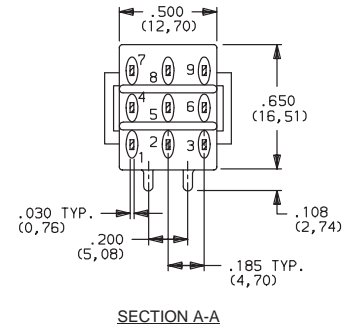
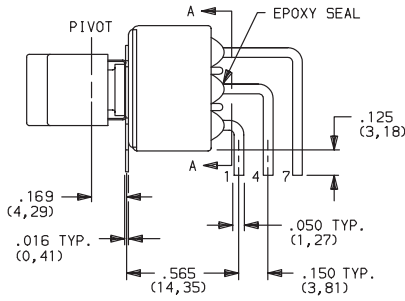
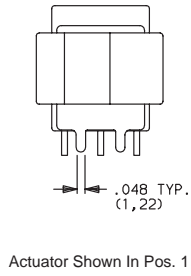
## TERMINATIONS



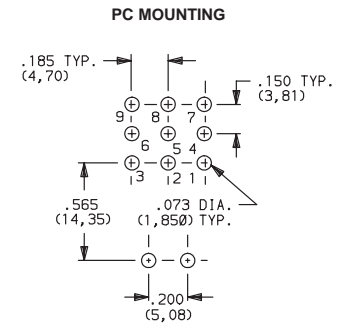
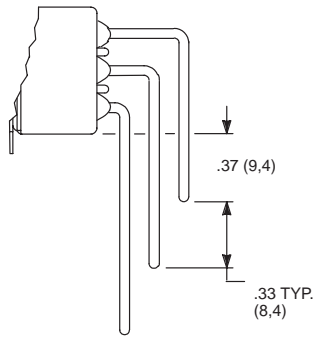
### A (STD.) RIGHT ANGLE, PC THRU-HOLE



7301J1ABE2  
Horizontal Actuation  
3PDT

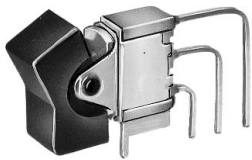


### AW4 RIGHT ANGLE, EXTENDED, PC THRU-HOLE

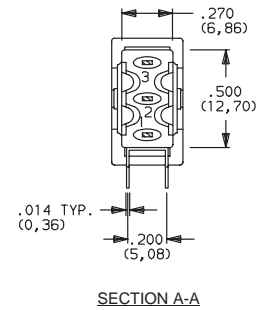
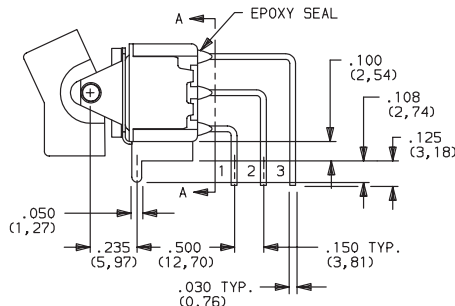
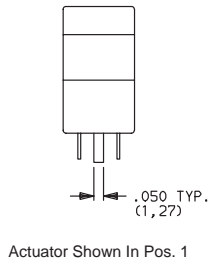


Not available with I seal option. Available actuators, see pages F-13 and F-14.  
Terminal bend radii and lead-in manufacturing option.

### AV2 (STD.) VERTICAL RIGHT ANGLE, PC THRU-HOLE, .150" PITCH



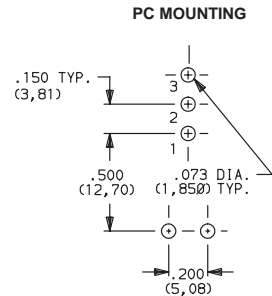
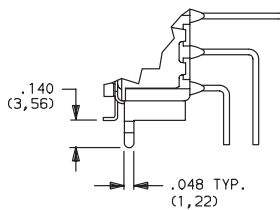
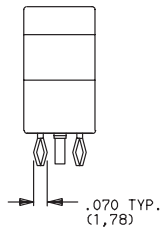
7101J1AV2BE2  
Vertical Actuation  
SPDT



### AV3 VERTICAL RIGHT ANGLE, SNAP-IN, PC THRU-HOLE, .150" PITCH



Rocker

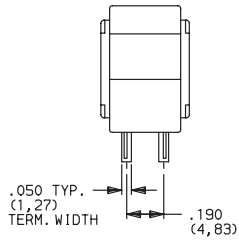


Not available with I seal option. Available actuators, see pages F-13 and F-14.  
Terminal bend radii and lead-in manufacturing option.

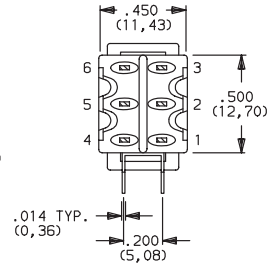
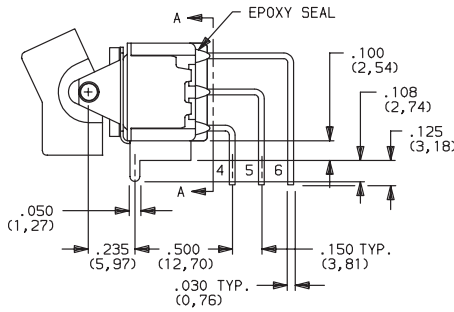


## TERMINATIONS

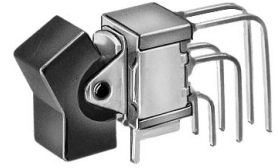
### AV2 (STD.) VERTICAL RIGHT ANGLE, PC THRU-HOLE, .150" PITCH



Actuator Shown In Pos. 1

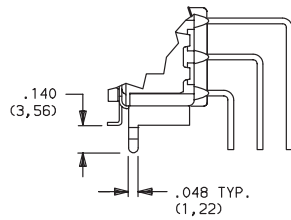
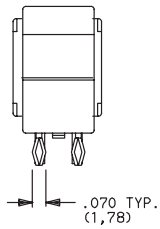


SECTION A-A

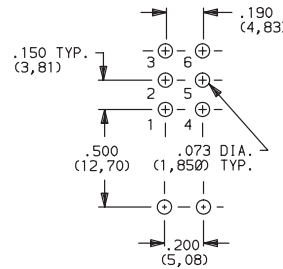


7201J1AV2BE2  
Vertical Actuation  
DPDT

### AV3 VERTICAL RIGHT ANGLE, SNAP-IN, PC THRU-HOLE, .150" PITCH

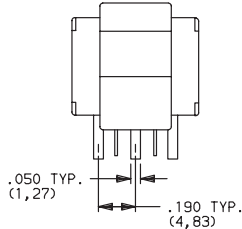


#### PC MOUNTING

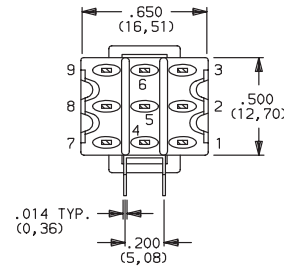
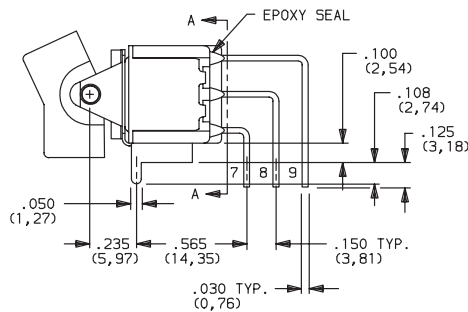


Not available with I seal option. Available actuators, see pages F-13 and F-14.  
Terminal bend radii and lead-in manufacturing option.

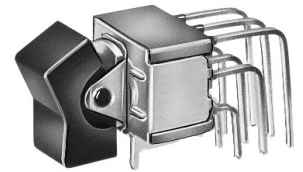
### AV2 (STD.) VERTICAL RIGHT ANGLE, PC THRU-HOLE, .150" PITCH



Actuator Shown In Pos. 1

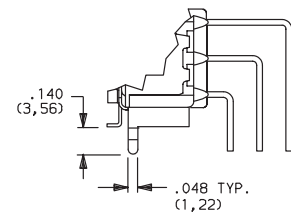
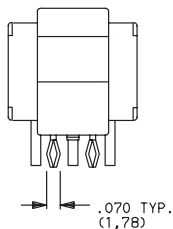


SECTION A-A

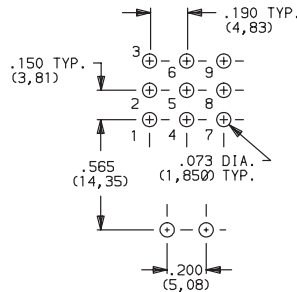


7301J1AV2BE2  
Vertical Actuation  
3PDT

### AV3 VERTICAL RIGHT ANGLE, SNAP-IN, PC THRU-HOLE, .150" PITCH



#### PC MOUNTING



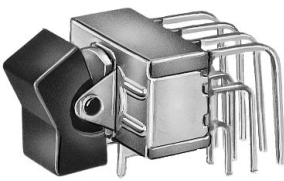
Not available with I seal option. Available actuators, see pages F-13 and F-14.  
Terminal bend radii and lead-in manufacturing option.

# C&K 7000 Series Rocker and Lever Handle Switches

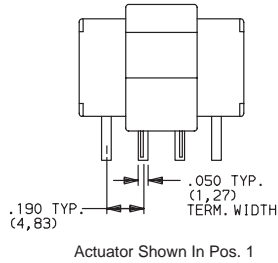
www.DataSheet4U.com

## TERMINATIONS

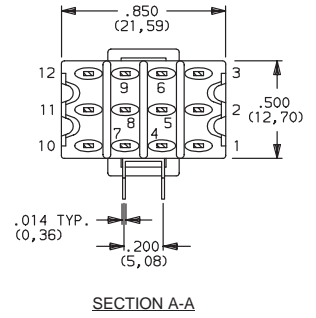
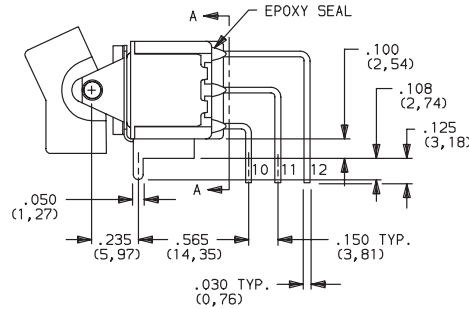
**AV2** (STD.) VERTICAL RIGHT ANGLE, PC THRU-HOLE,  
.150" PITCH



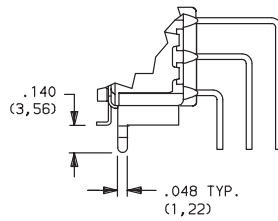
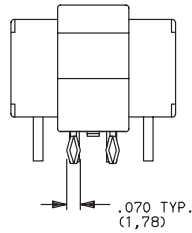
7401J1AV2BE2  
Vertical Actuation  
4PDT



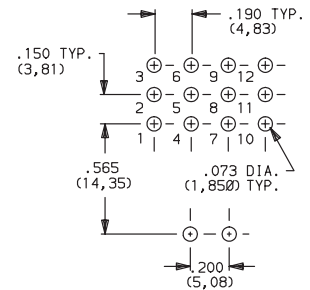
Actuator Shown In Pos. 1



**AV3** VERTICAL RIGHT ANGLE, SNAP-IN, PC THRU-HOLE,  
.150" PITCH

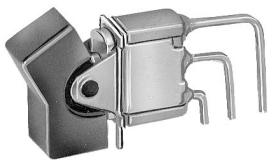


### PC MOUNTING

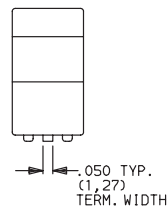


Not available with I seal option. Available actuators, see pages F-13 and F-14.  
Terminal bend radii and lead-in manufacturing option.

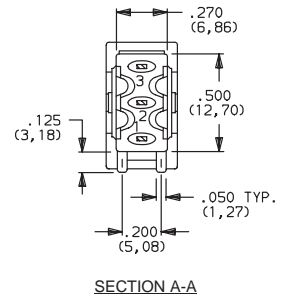
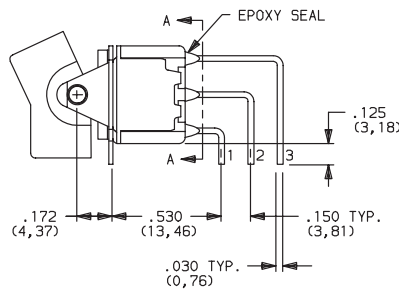
**V5** VERTICAL RIGHT ANGLE, PC THRU-HOLE,  
.150" PITCH



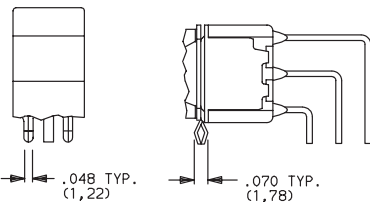
7101J1V5BE2  
Vertical Actuation  
SPDT



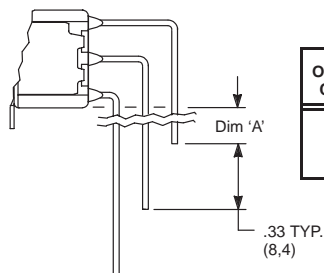
Actuator Shown In Pos. 1



**V51** VERTICAL RIGHT ANGLE, SNAP-IN,  
PC THRU-HOLE, .150" PITCH

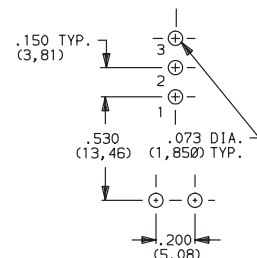


**V54, V55** VERTICAL RIGHT ANGLE, EXTENDED,  
PC THRU-HOLE, .150" PITCH



OPTION CODE	DIM 'A'
V54	.24 (6,1)
V55	.48 (12,2)

### PC MOUNTING



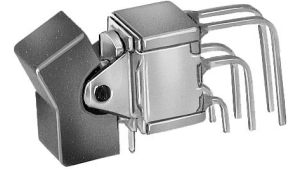
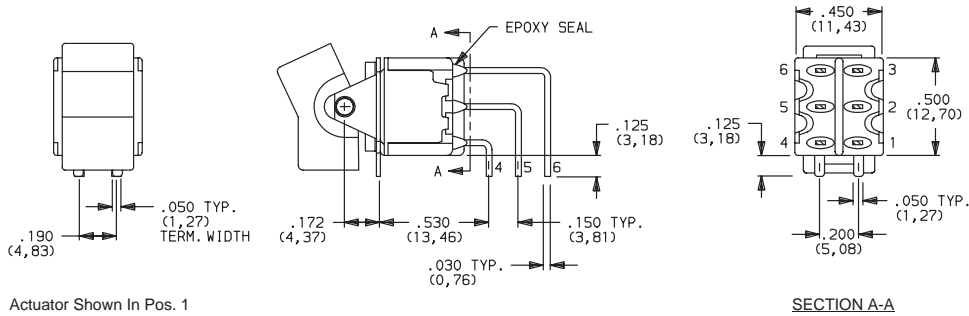
Not available with I seal option. Available actuators, see pages F-13 and F-14.  
Terminal bend radii and lead-in manufacturing option.



Rocker

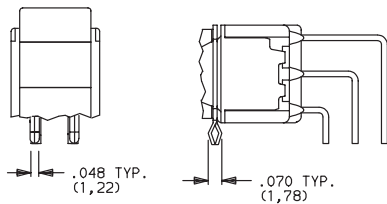
## TERMINATIONS

**V5** VERTICAL RIGHT ANGLE, PC THRU-HOLE,  
.150" PITCH

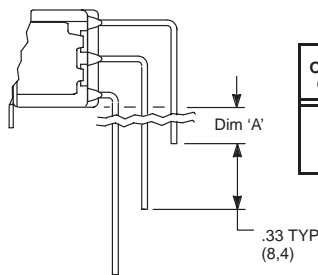


**7201J1V5BE2**  
Vertical Actuation  
**DPDT**

**V51** VERTICAL RIGHT ANGLE, SNAP-IN,  
PC THRU-HOLE, .150" PITCH

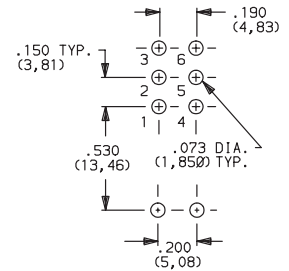


**V54, V55** VERTICAL RIGHT ANGLE, EXTENDED,  
PC THRU-HOLE, .150" PITCH



OPTION CODE	DIM 'A'
<b>V54</b>	.24 (6,1)
<b>V55</b>	.48 (12,2)

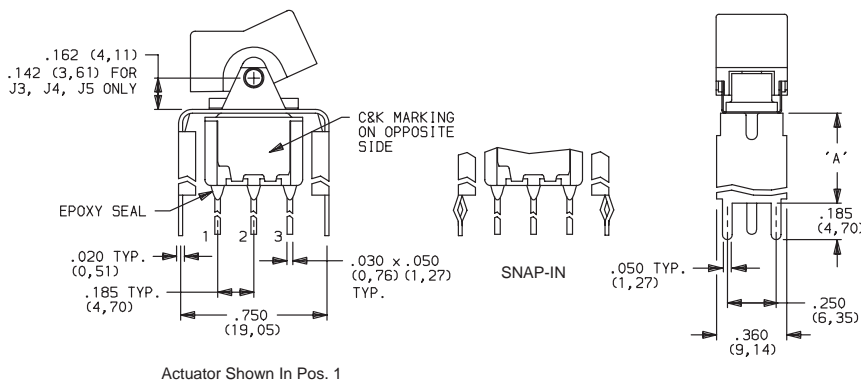
**PC MOUNTING**



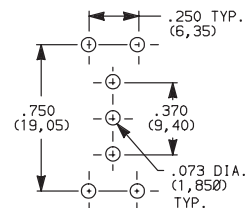
Not available with I seal option. Available actuators, see pages F-13 and F-14.  
Terminal bend radii and lead-in manufacturing option.

**V2, V6, V7, V8** VERTICAL MOUNT, V-BRACKET

**V21, V61, V71, V81** VERTICAL MOUNT, V-BRACKET, SNAP-IN



**PC MOUNTING**



**7101J1\_BE2**  
**SPDT**

OPTION CODE	DIM 'A'
<b>V2, V21</b>	.555 (14,10)
<b>V6, V61</b>	.460 (11,68)
<b>V7, V71</b>	.630 (16,00)
<b>V8, V81</b>	.953 (24,21)

Not available with I seal option.  
Available actuators, see pages F-13 and F-14.

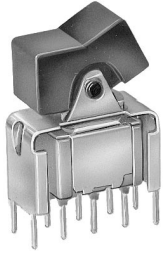
# C&K 7000 Series Rocker and Lever Handle Switches

www.DataSheet4U.com

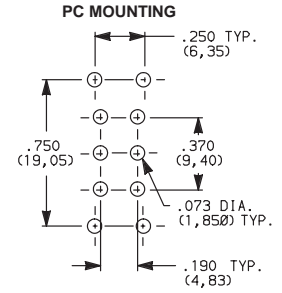
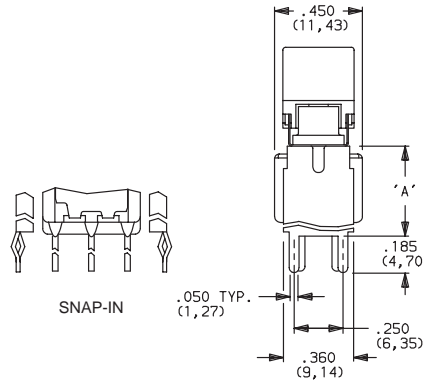
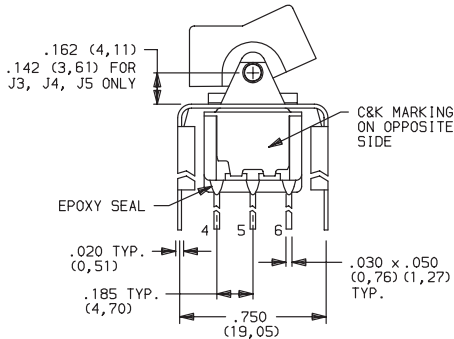
## TERMINATIONS

**V2, V6, V7, V8** VERTICAL MOUNT, V-BRACKET

**V21, V61, V71, V81** VERTICAL MOUNT, V-BRACKET, SNAP-IN



7201J1\_BE2  
DPDT



OPTION CODE	DIM 'A'
<b>V2, V21</b>	.555 (14,10)
<b>V6, V61</b>	.460 (11,68)
<b>V7, V71</b>	.630 (16,00)
<b>V8, V81</b>	.953 (24,21)

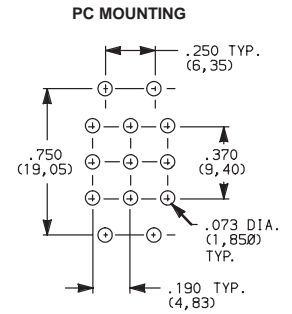
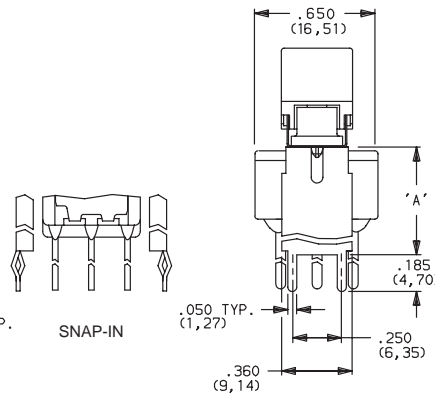
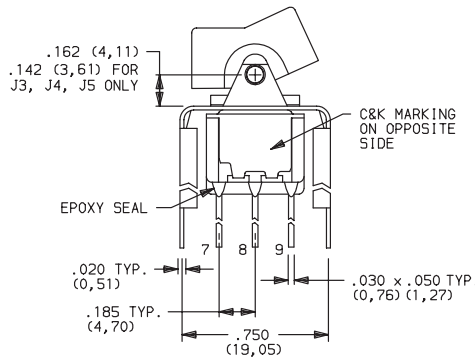
Not available with I seal option.  
Available actuators, see pages F-13 and F-14.

**V2, V7, V8** VERTICAL MOUNT, V-BRACKET

**V21, V71, V81** VERTICAL MOUNT, V-BRACKET, SNAP-IN



7301J1\_BE2  
3PDT



OPTION CODE	DIM 'A'
<b>V2, V21</b>	.555 (14,10)
<b>V7, V71</b>	.630 (16,00)
<b>V8, V81</b>	.953 (24,21)

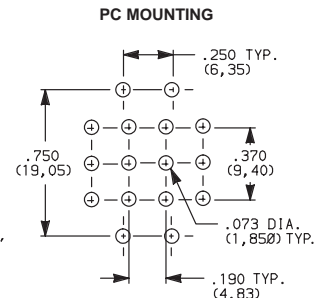
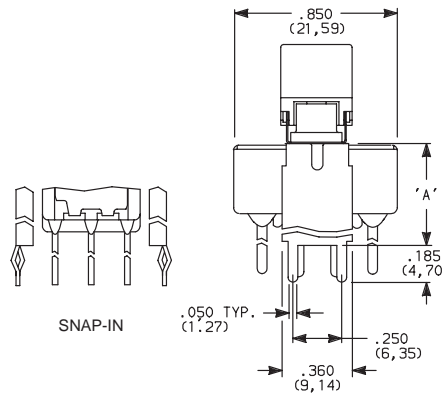
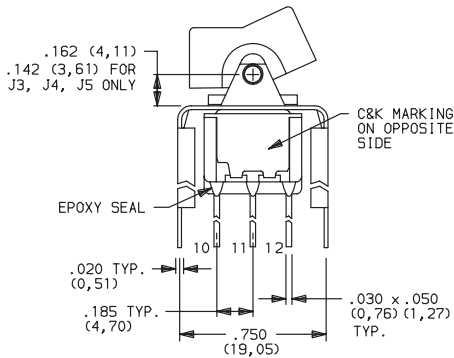
Not available with I seal option.  
Available actuators, see pages F-13 and F-14.

**V2, V7, V8** VERTICAL MOUNT, V-BRACKET

**V21, V71, V81** VERTICAL MOUNT, V-BRACKET, SNAP-IN



7401J1\_BE2  
4PDT



OPTION CODE	DIM 'A'
<b>V2, V21</b>	.555 (14,10)
<b>V7, V71</b>	.630 (16,00)
<b>V8, V81</b>	.953 (24,21)

Not available with I seal option.  
Available actuators, see pages F-13 and F-14.

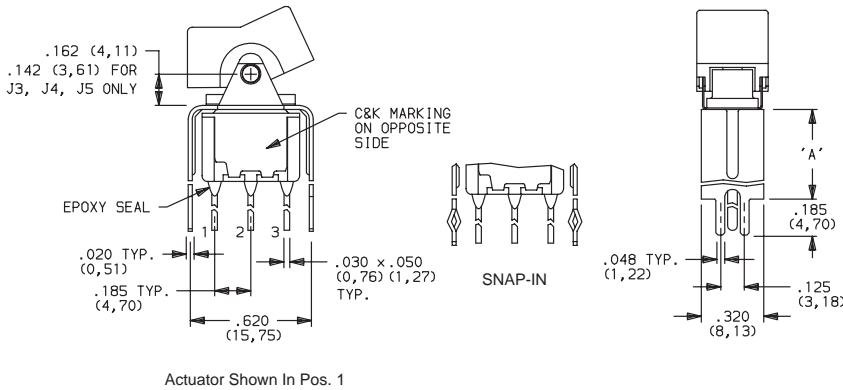


**Rocker**

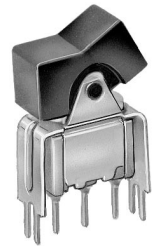
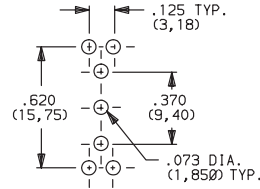
## TERMINATIONS

**V3, V4, V9** VERTICAL MOUNT, V-BRACKET

**V31, V41, V91** VERTICAL MOUNT, V-BRACKET, SNAP-IN



PC MOUNTING



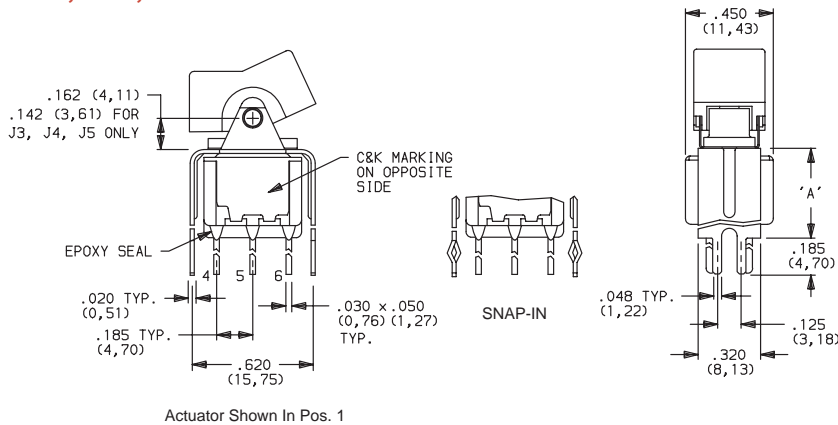
7101J1\_BE2  
SPDT

OPTION CODE	DIM 'A'
V3, V31	.460 (11,68)
V4, V41	.630 (16,00)
V9, V91	1.150 (29,21)

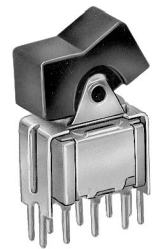
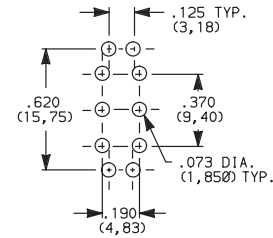
Not available with I seal option.  
Available actuators, see pages F-13 and F-14.

**V3, V4, V9** VERTICAL MOUNT, V-BRACKET

**V31, V41, V91** VERTICAL MOUNT, V-BRACKET, SNAP-IN



PC MOUNTING



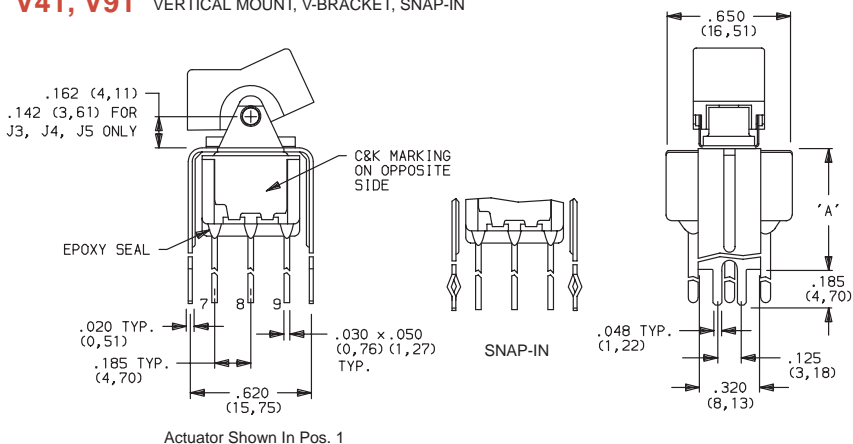
7201J1\_BE2  
DPDT

OPTION CODE	DIM 'A'
V3, V31	.460 (11,68)
V4, V41	.630 (16,00)
V9, V91	1.150 (29,21)

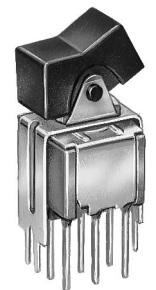
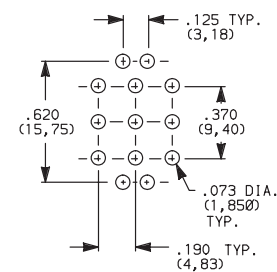
Not available with I seal option.  
Available actuators, see pages F-13 and F-14.

**V4, V9** VERTICAL MOUNT, V-BRACKET

**V41, V91** VERTICAL MOUNT, V-BRACKET, SNAP-IN



PC MOUNTING



7301J1\_BE2  
3PDT

OPTION CODE	DIM 'A'
V4, V41	.630 (16,00)
V9, V91	1.150 (29,21)

Not available with I seal option.  
Available actuators, see pages F-13 and F-14.



F

Rocker

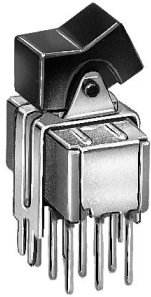
# C&K 7000 Series Rocker and Lever Handle Switches

www.DataSheet4U.com

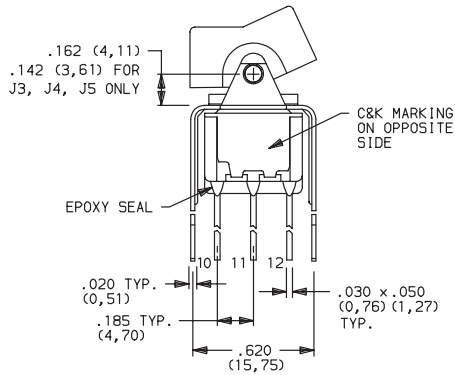
## TERMINATIONS

**V4, V9** VERTICAL MOUNT, V-BRACKET

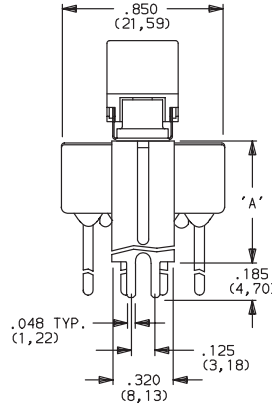
**V41, V91** VERTICAL MOUNT, V-BRACKET, SNAP-IN



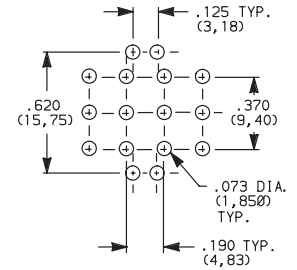
7401J1\_BE2  
4PDT



Actuator Shown In Pos. 1



## PC MOUNTING



OPTION CODE	DIM 'A'
<b>V4, V41</b>	.630 (16,00)
<b>V9, V91</b>	1.150 (29,21)

Not available with I seal option.  
Available actuators, see pages F-13 and F-14.

## CONTACT MATERIAL

OPTION CODE	CONTACT MATERIAL	TERMINAL PLATING	RATINGS	
<b>B (STD.)</b>	GOLD <sup>1</sup>	GOLD <sup>1</sup>	LOW LEVEL/ DRY CIRCUIT	0.4 VA MAX. @ 20 V AC OR DC MAX.
<b>K</b>		TIN-LEAD <sup>6</sup>		
<b>Q (STD.)</b>	SILVER <sup>4,5</sup>	SILVER <sup>5</sup>	POWER	5 AMPS @ 120 V AC OR 28 V DC; 2 AMPS @ 250 V AC.
<b>M</b>		TIN-LEAD <sup>6</sup>		
<b>G</b>	GOLD OVER SILVER <sup>2,3</sup>	GOLD <sup>3</sup>	LOW LEVEL/ DRY CIRCUIT OR POWER	0.4 VA MAX. @ 20 V AC OR DC MAX. OR 5 AMPS @ 120 V AC OR 28 V DC; 2 AMPS @ 250 V AC.
<b>L</b>		TIN-LEAD <sup>6</sup>		

CONTACT MATERIAL/APPLICATION RECOMMENDATIONS—SEE CHART, PAGE L-31.

- CONTACTS & TERMINALS: Copper alloy, with gold plate over nickel plate.
- END CONTACTS: Coin silver, with gold plate over nickel plate.
- CENTER CONTACTS & ALL TERMINALS: Copper alloy, with gold plate over nickel plate.
- END CONTACTS: Coin silver, silver plated.
- CENTER CONTACT & ALL TERMINALS: Copper alloy, silver plated.
- TERMINALS: Copper alloy, with tin-lead alloy over nickel plate.

U11-U415 model numbers with all options when ordered with G, L, M or Q contact material.

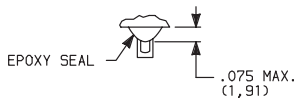
B contact material standard with all terminations except C, Z & Z3.

Q contact material standard with C, Z & Z3 terminations.

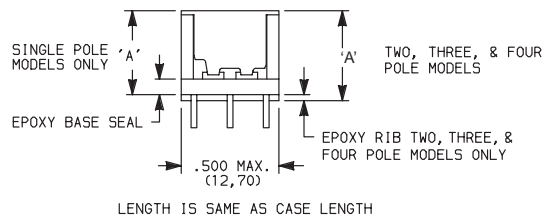
**K, L & M contact materials not available with Z & Z3 terminations.**

## SEAL

**E (STD.) EPOXY SEAL**



**I EPOXY POTTED BASE**



NO. POLES	DIM 'A'
SP	.410 (10,41)
DP	.440 (11,18)
3P	.505 (12,83)
4P	.505 (12,83)

Available with C, W-W5, Z & Z3 terminations.



Rocker