



Integrated Device Technology, Inc.

3.3V CMOS STATIC RAM 4 MEG (256K x 16-BIT)

ADVANCE INFORMATION IDT71V416

FEATURES:

- 256K x 16 advanced high-speed CMOS Static RAM
- JEDEC Center Power /GND pinout for reduced noise
- Equal access and cycle times
— 12/15/20ns
- Single 3.3V power supply
- One Chip Select plus one Output Enable pin
- Bidirectional data inputs and outputs directly TTL-compatible
- Low power consumption via chip deselect
- Upper and Lower Byte Enable Pins

www.IDT.com Available in 44-pin, 400 mil plastic SOJ package

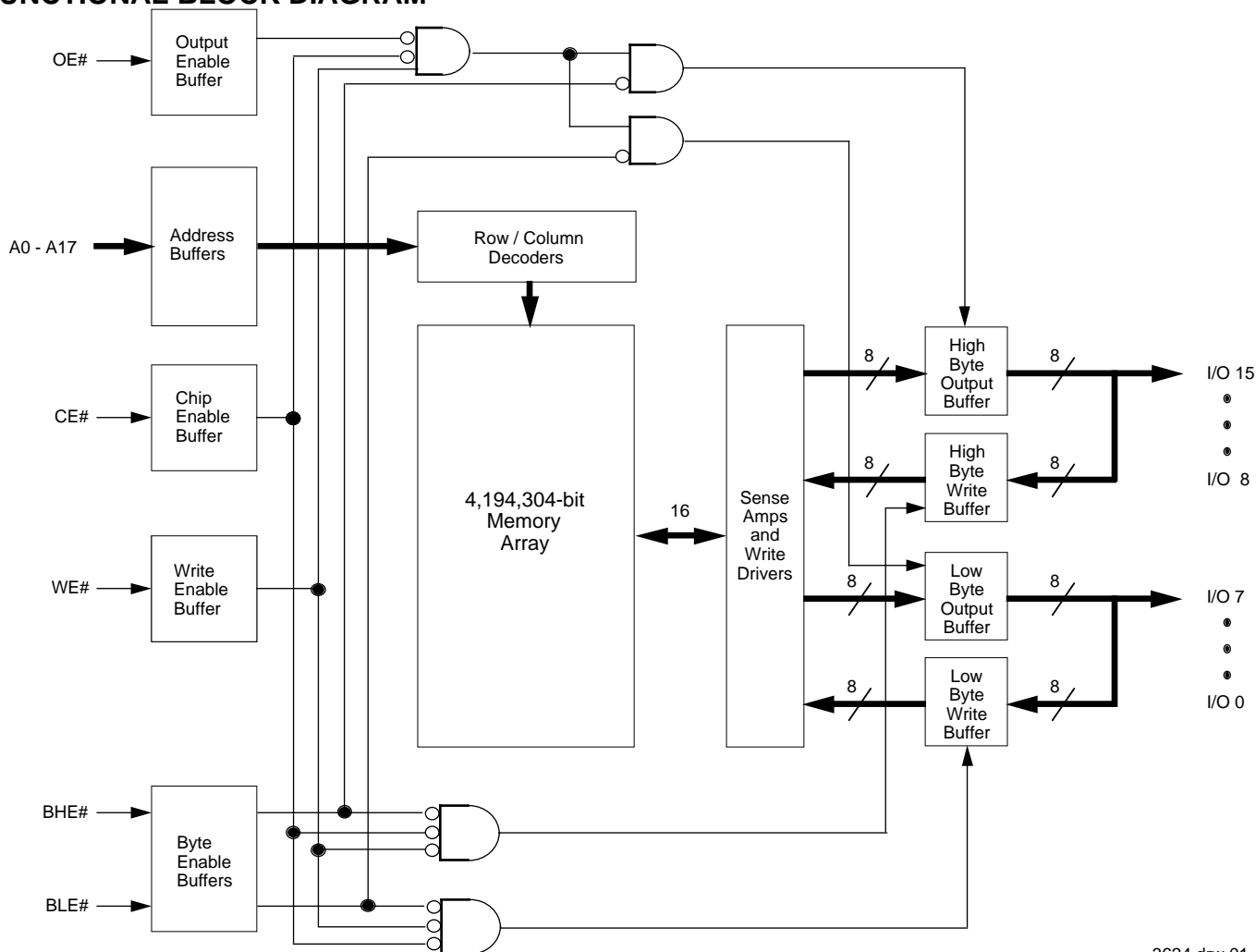
DESCRIPTION:

The IDT71V416 is a 4,194,304-bit high-speed Static RAM organized as 256K x 16. It is fabricated using IDT's high-performance, high-reliability CMOS technology. This state-of-the-art technology, combined with innovative circuit design techniques, provides a cost-effective solution for high-speed memory needs.

The IDT71V416 has an output enable pin which operates as fast as 6ns, with address access times as fast as 12ns. All bidirectional inputs and outputs of the IDT71V416 are TTL-compatible and operation is from a single 3.3V supply. Fully static asynchronous circuitry is used, requiring no clocks or refresh for operation.

The IDT71V416 is packaged in a 44-pin, 400mil Plastic SOJ.

FUNCTIONAL BLOCK DIAGRAM



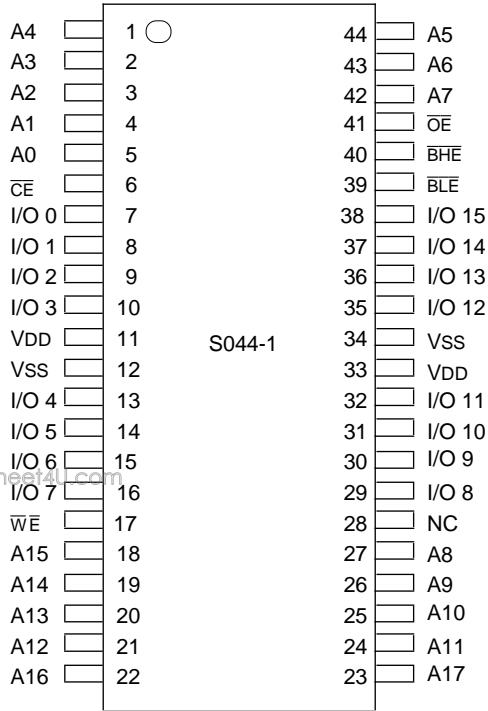
3624 drw 01

The IDT logo is a registered trademark of Integrated Device Technology, Inc.

COMMERCIAL TEMPERATURE RANGE

JULY 1996

PIN CONFIGURATION



3624 drw 02

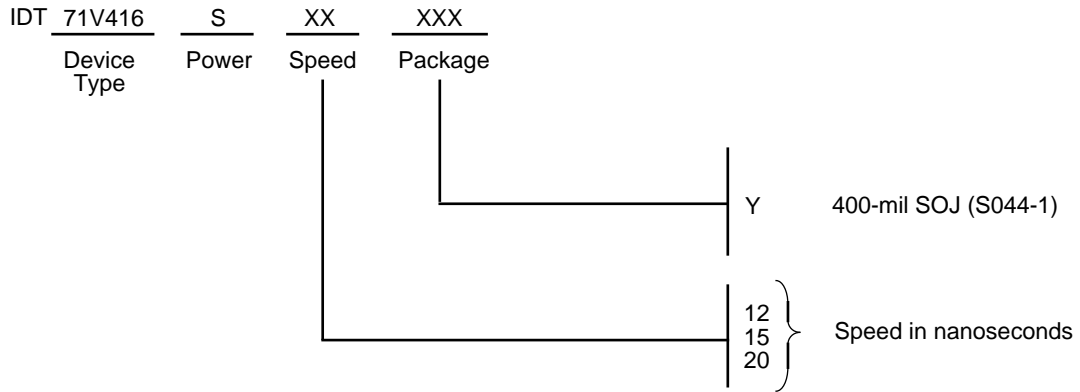
**SOJ
TOP VIEW**

PIN DESCRIPTION

A0 – A17	Address Inputs	Input
CS	Chip Select	Input
WE	Write Enable	Input
OE	Output Enable	Input
BHE	High Byte Enable	Input
BLE	Low Byte Enable	Input
I/O0 - I/O15	Data Input/Output	I/O
VDD	3.3V Power	Power
VSS	Ground	Gnd

3624 tbl 01

ORDERING INFORMATION



3624 drw 03