

SNx414 and SNx4LS14 Hex Schmitt-Trigger Inverters

1 Features

- Operation From Very Slow Edges
- Improved Line-Receiving Characteristics
- High Noise Immunity

2 Applications

- HVAC Gateways
- Residential Ductless Air Conditioning Outdoor Units
- Robotic Controls
- Industrial Stepper Motors
- Power Meter and Power Analyzers
- Digital Input Modules for Factory Automation

3 Description

Each circuit in SNx414 and SNx4LS14 functions as an inverter. However, because of the Schmitt-Trigger action, they have different input threshold levels for positive-going (V_{T+}) and negative-going (V_{T-}) signals.

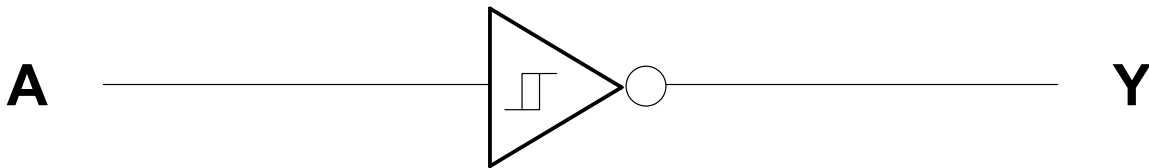
These circuits are temperature compensated and can be triggered from the slowest of input ramps and still give clean, jitter-free output signals.

Device Information⁽¹⁾

| PART NUMBER | PACKAGE | BODY SIZE (NOM) |
|---------------------|-----------|--------------------|
| SN7414, SN74LS14 | SOIC (14) | 4.90 mm × 3.91 mm |
| | SSOP (14) | 6.20 mm × 5.30 mm |
| | PDIP (14) | 19.30 mm × 6.35 mm |
| | SO (14) | 10.30 mm × 5.30 mm |
| SN5414, SN54LS14 | CDIP (14) | 19.56 mm × 6.67 mm |
| | CFP (14) | 9.21 mm × 5.97 mm |
| | LCCC (20) | 8.89 mm × 8.89 mm |

(1) For all available packages, see the orderable addendum at the end of the data sheet.

Logic Diagram (Positive Logic)



Copyright © 2016, Texas Instruments Incorporated



Table of Contents

| | | | |
|--|-----------|--|-----------|
| 1 Features | 1 | 8.3 Feature Description | 13 |
| 2 Applications | 1 | 8.4 Device Functional Modes | 13 |
| 3 Description | 1 | 9 Application and Implementation | 14 |
| 4 Revision History | 2 | 9.1 Application Information | 14 |
| 5 Pin Configuration and Functions | 3 | 9.2 Typical Application | 14 |
| 6 Specifications | 4 | 9.3 System Examples | 16 |
| 6.1 Absolute Maximum Ratings | 4 | 10 Power Supply Recommendations | 17 |
| 6.2 ESD Ratings | 4 | 11 Layout | 17 |
| 6.3 Recommended Operating Conditions | 4 | 11.1 Layout Guidelines | 17 |
| 6.4 Thermal Information | 4 | 11.2 Layout Example | 17 |
| 6.5 Electrical Characteristics | 5 | 12 Device and Documentation Support | 18 |
| 6.6 Switching Characteristics | 5 | 12.1 Related Links | 18 |
| 6.7 Typical Characteristics | 6 | 12.2 Receiving Notification of Documentation Updates | 18 |
| 7 Parameter Measurement Information | 9 | 12.3 Community Resources | 18 |
| 7.1 Series SN5414 and SN7414 Devices | 9 | 12.4 Trademarks | 18 |
| 7.2 Series SN54LS14 and SN74LS14 Devices | 11 | 12.5 Electrostatic Discharge Caution | 18 |
| 8 Detailed Description | 13 | 12.6 Glossary | 18 |
| 8.1 Overview | 13 | 13 Mechanical, Packaging, and Orderable Information | 18 |
| 8.2 Functional Block Diagram | 13 | | |

4 Revision History

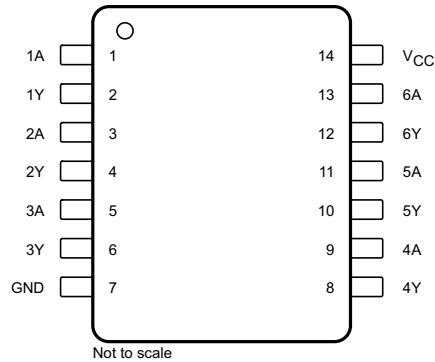
Changes from Revision B (February 2002) to Revision C

Page

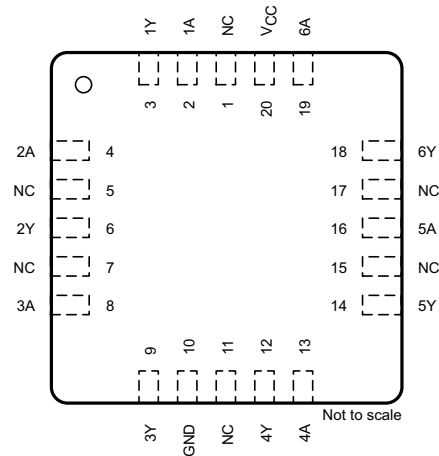
- Added *ESD Ratings* table, *Feature Description* section, *Device Functional Modes*, *Application and Implementation* section, *Power Supply Recommendations* section, *Layout* section, *Device and Documentation Support* section, and *Mechanical, Packaging, and Orderable Information* section. **1**
- Deleted *Ordering Information* table; see the *Package Option Addendum* at the end of the data sheet **1**
- Changed Package thermal impedance, $R_{\theta JA}$, values in *Thermal Information* table From: 86°C/W To: 90.1°C/W (D), From: 96°C/W To: 105.4°C/W (DB), From: 80°C/W To: 54.9°C/W (N), and From: 76°C/W To: 88.8°C/W (NS)..... **4**

5 Pin Configuration and Functions

D, DB, N, NS, J, or W Package
14-Pin SOIC, SSOP, PDIP, SO, CDIP, or CFP
Top View



FK Package
20-Pin LCCC
Top View



NC – No internal connection

Pin Functions

| NAME | PIN | | I/O | DESCRIPTION |
|-----------------|---|------------------------|-----|------------------------|
| | SOIC, SSOP, TVSOP, CDIP, PDIP, TSSOP, CFP | LCCC | | |
| 1A | 1 | 2 | I | Channel 1 input |
| 1Y | 2 | 3 | O | Channel 1 output |
| 2A | 3 | 4 | I | Channel 2 input |
| 2Y | 4 | 6 | O | Channel 2 output |
| 3A | 5 | 8 | I | Channel 3 input |
| 3Y | 6 | 9 | O | Channel 3 output |
| 4A | 9 | 13 | I | Channel 4 input |
| 4Y | 8 | 12 | O | Channel 4 output |
| 5A | 11 | 16 | I | Channel 5 input |
| 5Y | 10 | 14 | O | Channel 5 output |
| 6A | 13 | 19 | I | Channel 6 input |
| 6Y | 12 | 18 | O | Channel 6 output |
| GND | 7 | 10 | — | Ground |
| NC | — | 1, 5, 7, 11, 15, 17 | — | No internal connection |
| V _{CC} | 14 | 20 | — | Power supply |

6 Specifications

6.1 Absolute Maximum Ratings

 over operating free-air temperature range (unless otherwise noted)⁽¹⁾

| | | MIN | MAX | UNIT |
|---|----------|-----|-----|------|
| Supply voltage, V_{CC} ⁽²⁾ | | | 7 | V |
| Input voltage | SNx414 | | 5.5 | V |
| | SNx4LS14 | | 7 | |
| Junction temperature, T_J | | | 150 | °C |
| Storage temperature, T_{stg} | | -65 | 150 | °C |

- (1) Stresses beyond those listed under *Absolute Maximum Ratings* may cause permanent damage to the device. These are stress ratings only, which do not imply functional operation of the device at these or any other conditions beyond those indicated under *Recommended Operating Conditions*. Exposure to absolute-maximum-rated conditions for extended periods may affect device reliability.
- (2) Voltage values are with respect to network ground terminal.

6.2 ESD Ratings

| | | | VALUE | UNIT |
|-------------|-------------------------|--|-------|------|
| $V_{(ESD)}$ | Electrostatic discharge | Human-body model (HBM), per ANSI/ESDA/JEDEC JS-001 ⁽¹⁾ | ±1500 | V |
| | | Charged-device model (CDM), per JEDEC specification JESD22-C101 ⁽²⁾ | ±2000 | |

- (1) JEDEC document JEP155 states that 500-V HBM allows safe manufacturing with a standard ESD control process.
- (2) JEDEC document JEP157 states that 250-V CDM allows safe manufacturing with a standard ESD control process.

6.3 Recommended Operating Conditions

over operating free-air temperature range (unless otherwise noted)

| | | | MIN | NOM | MAX | UNIT |
|----------|--------------------------------|--------------------|------|-----|------|------|
| V_{CC} | Supply voltage | SN5414, SN54LS14 | 4.5 | 5 | 5.5 | V |
| | | SN7414, SN74LS14 | 4.75 | 5 | 5.25 | |
| I_{OH} | High-level output current | SN5414, SN7414 | | | -0.8 | mA |
| | | SN54LS14, SN74LS14 | | | -0.4 | |
| I_{OL} | Low-level output current | SN5414, SN7414 | | | 16 | mA |
| | | SN54LS14 | | | 4 | |
| | | SN74LS14 | | | 8 | |
| T_A | Operating free-air temperature | SN5414, SN54LS14 | -55 | | 125 | °C |
| | | SN7414, SN74LS14 | 0 | | 70 | |

6.4 Thermal Information

| THERMAL METRIC ⁽¹⁾ | SNx414, SNx4LS14 | | | | UNIT |
|---|------------------|-----------|----------|---------|------|
| | D (SOIC) | DB (SSOP) | N (PDIP) | NS (SO) | |
| | 14 PINS | 14 PINS | 14 PINS | 14 PINS | |
| $R_{\theta JA}$ Junction-to-ambient thermal resistance ⁽²⁾ | 90.1 | 105.4 | 54.9 | 88.8 | °C/W |
| $R_{\theta JC(top)}$ Junction-to-case (top) thermal resistance | 50.3 | 57.3 | 42.5 | 46.5 | °C/W |
| $R_{\theta JB}$ Junction-to-board thermal resistance | 44.3 | 52.7 | 34.7 | 47.5 | °C/W |
| ψ_{JT} Junction-to-top characterization parameter | 17.9 | 22.5 | 27.8 | 16.8 | °C/W |
| ψ_{JB} Junction-to-board characterization parameter | 44.1 | 52.2 | 34.6 | 47.2 | °C/W |

- (1) For more information about traditional and new thermal metrics, see the [Semiconductor and IC Package Thermal Metrics](#) application report.
- (2) The package thermal impedance is calculated in accordance with JESD 51-7.

6.5 Electrical Characteristics

over operating free-air temperature range (unless otherwise noted)

| PARAMETER | TEST CONDITIONS ⁽¹⁾ | | MIN | TYP ⁽²⁾ | MAX | UNIT |
|---|--|----------------------------------|-----|--------------------|------|------|
| V _{T+} | V _{CC} = 5 V | SNx414 | 1.5 | 1.7 | 2 | V |
| | | SNx4LS14 | 1.4 | 1.6 | 1.9 | |
| V _{T-} | V _{CC} = 5 V | SNx414 | 0.6 | 0.9 | 1.1 | V |
| | | SNx4LS14 | 0.5 | 0.8 | 1 | |
| Hysteresis (V _{T+} – V _{T-}) | V _{CC} = 5 V | | 0.4 | 0.8 | | V |
| V _{IK} | V _{CC} = MIN, I _I = –12 mA, SNx414 | | | | –1.5 | V |
| | V _{CC} = MIN, I _I = –18 mA, SNx4LS14 | | | | –1.5 | |
| V _{OH} | V _{CC} = MIN, V _I = 0.6 V, I _{OH} = –0.8 mA, SNx414 | | 2.4 | 3.4 | | V |
| | V _{CC} = MIN, V _I = 0.5 V, I _{OH} = –0.4 mA, SNx4LS14 | | 2.4 | 3.4 | | |
| V _{OL} | V _{CC} = MIN, V _I = 2 V, I _{OL} = 16 mA, SNx414 | | | 0.2 | 0.4 | V |
| | V _{CC} = MIN, V _I = 1.9 V | I _{OL} = 4 mA, SNx4LS14 | | 0.25 | 0.4 | |
| | | I _{OL} = 8 mA, SN74LS14 | | | 0.35 | |
| I _{T+} | V _{CC} = 5 V, V _I = V _{T+} | SNx414 | | –0.43 | | mA |
| | | SNx4LS14 | | –0.14 | | |
| I _{T-} | V _{CC} = 5 V, V _I = V _{T-} | SNx414 | | –0.56 | | mA |
| | | SNx4LS14 | | –0.18 | | |
| I _I | V _{CC} = MAX, V _I = 5.5 V, SNx414 | | | | 1 | mA |
| | V _{CC} = MAX, V _I = 7 V, SNx4LS14 | | | | 0.1 | |
| I _{IH} | V _{CC} = MAX, V _{IH} = 2.4 V, SNx414 | | | | 40 | μA |
| | V _{CC} = MAX, V _{IH} = 2.7 V, SNx4LS14 | | | | 20 | |
| I _{IL} | V _{CC} = MAX, V _{IL} = 0.4 V | SNx414 | | –0.8 | –1.2 | mA |
| | | SNx4LS14 | | | –0.4 | |
| I _{OS} ⁽³⁾ | V _{CC} = MAX | SNx414 | –18 | | –55 | mA |
| | | SNx4LS14 | –20 | | –100 | |
| I _{CCH} | V _{CC} = MAX | SNx414 | | 22 | 36 | mA |
| | | SNx4LS14 | | 8.6 | 16 | |
| I _{CCL} | V _{CC} = MAX | SNx414 | | 39 | 60 | mA |
| | | SNx4LS14 | | 12 | 21 | |

(1) For conditions shown as MIN or MAX, use the appropriate value specified under recommended operating conditions.

(2) All typical values are at V_{CC} = 5 V and T_A = 25°C.

(3) Not more than one output should be shorted at a time.

6.6 Switching Characteristics

V_{CC} = 5 V, T_A = 25°C, and over operating free-air temperature range (unless otherwise noted; see Figure 20)

| PARAMETER | FROM (INPUT) | TO (OUTPUT) | TEST CONDITIONS | MIN | TYP | MAX | UNIT |
|------------------|--------------|-------------|---|-----|-----|-----|------|
| t _{PLH} | A | Y | R _L = 400 Ω and C _L = 15 pF, or R _L = 2 kΩ and C _L = 15 pF | | 15 | 22 | ns |
| t _{PHL} | A | Y | R _L = 400 Ω and C _L = 15 pF, or R _L = 2 kΩ and C _L = 15 pF | | 15 | 22 | ns |

6.7 Typical Characteristics

6.7.1 SNx414 Circuits

Data for temperatures below 0°C and above 70°C and supply voltage below 4.75 V and above 5.25 V are applicable for SN5414 only.

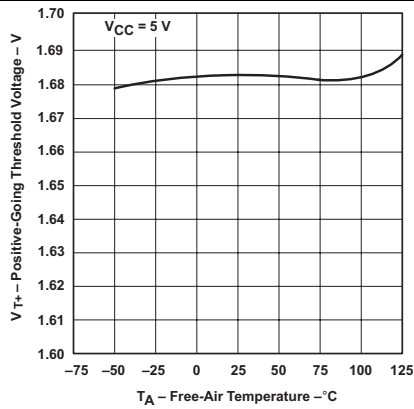


Figure 1. Positive-Going Threshold Voltage vs Free-Air Temperature

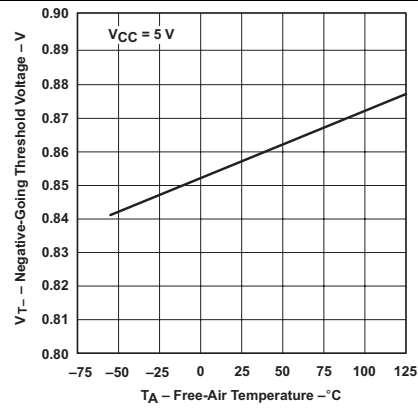


Figure 2. Negative-Going Threshold Voltage vs Free-Air Temperature

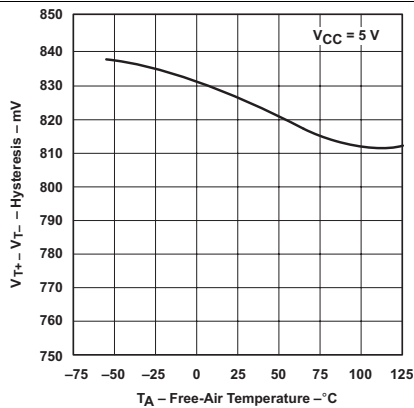


Figure 3. Hysteresis vs Free-Air Temperature

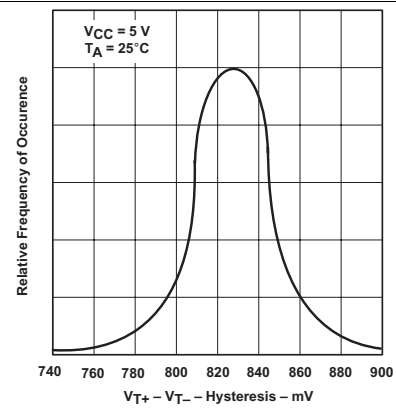


Figure 4. Distribution of Units for Hysteresis

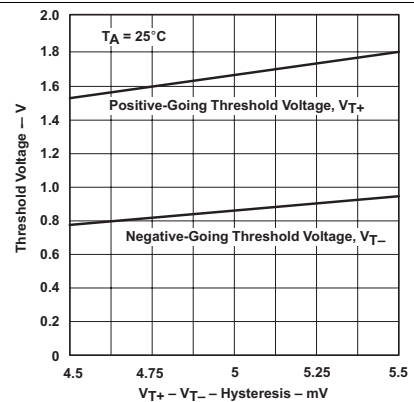


Figure 5. Threshold Voltages vs Supply Voltage

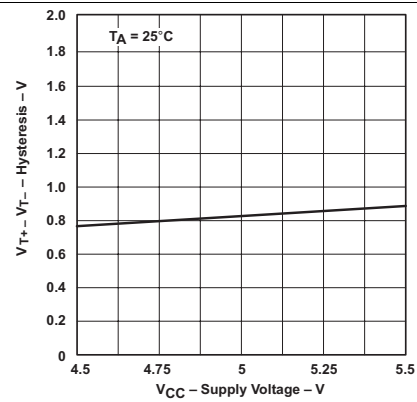


Figure 6. Hysteresis vs Supply Voltage

SNx414 Circuits (continued)

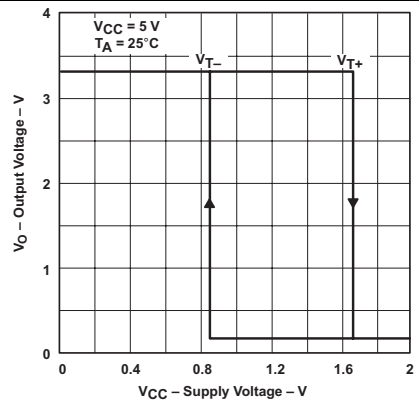


Figure 7. Output Voltage vs Input Voltage

6.7.2 SNx4LS14 Circuits

Data for temperatures below 0°C and above 70°C and supply voltage below 4.75 V and above 5.25 V are applicable for SNx4LS14 only.

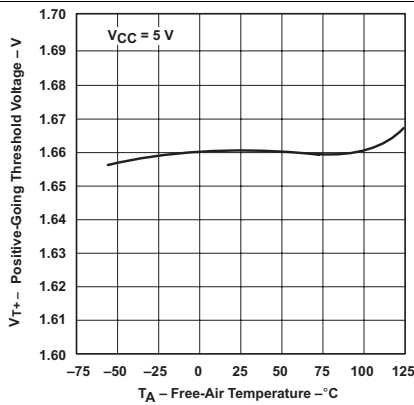


Figure 8. Positive-Going Threshold Voltage vs Free-Air Temperature

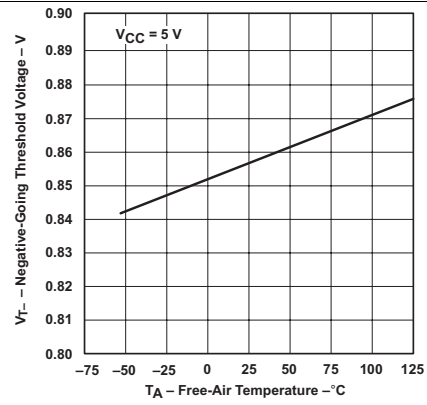


Figure 9. Negative-Going Threshold Voltage vs Free-Air Temperature

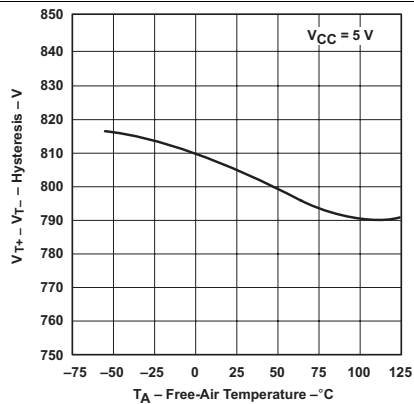


Figure 10. Hysteresis vs Free-Air Temperature

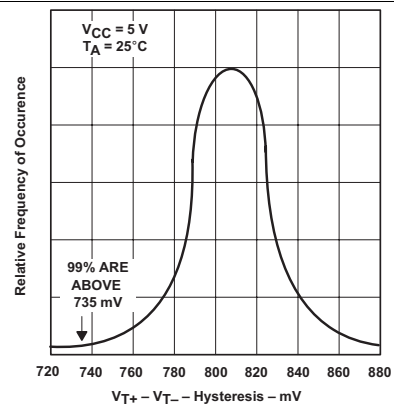


Figure 11. Distribution of Units for Hysteresis

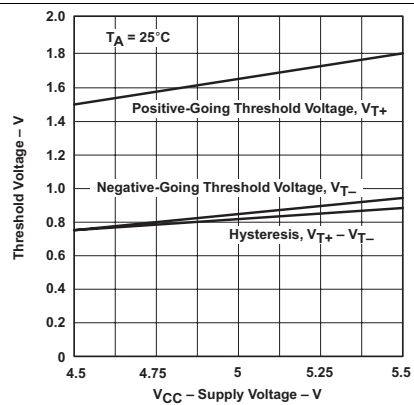


Figure 12. Threshold Voltages and Hysteresis vs Supply Voltage

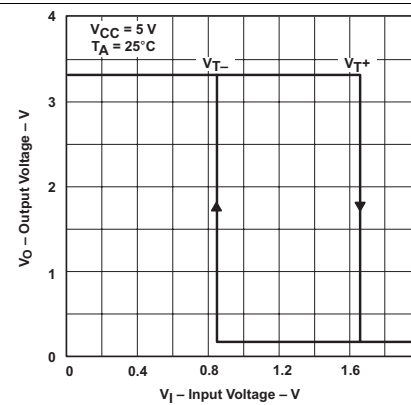


Figure 13. Output Voltage vs Input Voltage

7 Parameter Measurement Information

7.1 Series SN5414 and SN7414 Devices

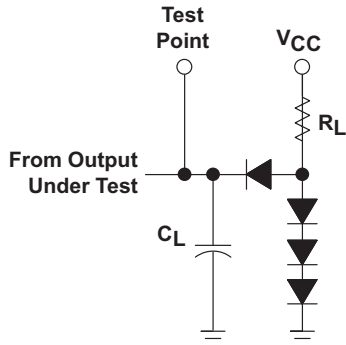


Figure 14. Load Circuit For 2-State Totem-Pole Outputs

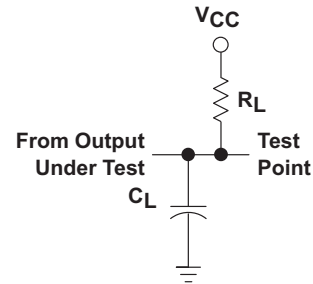


Figure 15. Load Circuit For Open-Collector Outputs

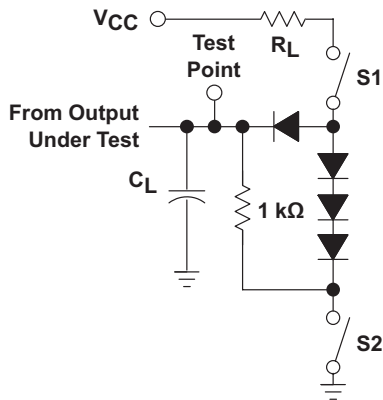


Figure 16. Load Circuit For 3-State Outputs

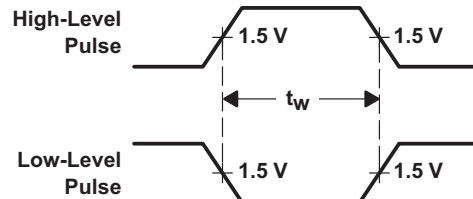


Figure 17. Voltage Waveforms Pulse Durations

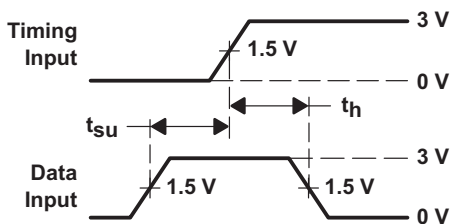


Figure 18. Voltage Waveforms Setup and Hold Times

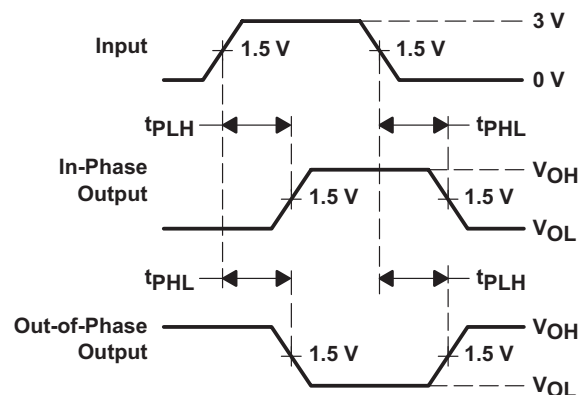
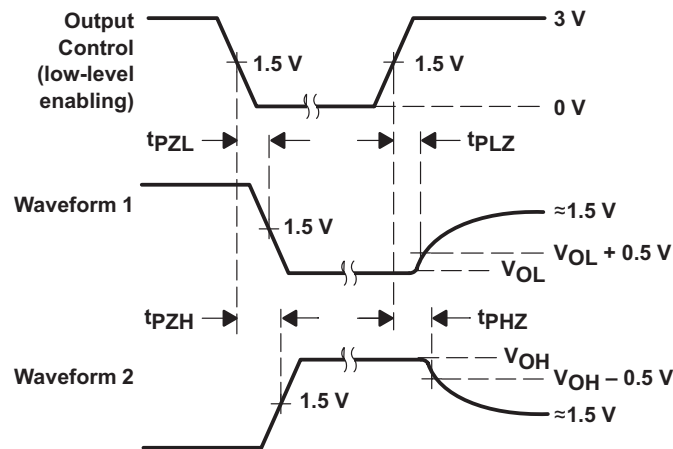


Figure 19. Voltage Waveforms Propagation Delay Times

Series SN5414 and SN7414 Devices (continued)


- A. C_L includes probe and jig capacitance.
- B. All diodes are 1N3064 or equivalent.
- C. Waveform 1 is for an output with internal conditions such that the output is low except when disabled by the output control. Waveform 2 is for an output with internal conditions such that the output is high except when disabled by the output control.
- D. S1 and S2 are closed for t_{PLH} , t_{PHL} , t_{PHZ} , and t_{PLZ} ; S1 is open and S2 is closed for t_{PZH} ; S1 is closed and S2 is open for t_{PZL} .
- E. All input pulses are supplied by generators having the following characteristics: $PRR \leq 1$ MHz, $Z_O \approx 50 \Omega$; t_r and $t_f \leq 7$ ns for Series SN5414 and SN7414 devices and t_r and $t_f \leq 2.5$ ns for Series SN54S14 and SN74S14 devices.
- F. The outputs are measured one at a time with one input transition per measurement.

Figure 20. Voltage Waveforms Enable and Disable Times, 3-State Outputs

7.2 Series SN54LS14 and SN74LS14 Devices

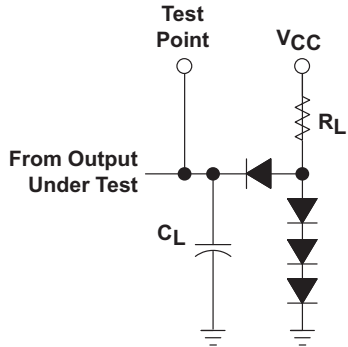


Figure 21. Load Circuit For 2-State Totem-Pole Outputs

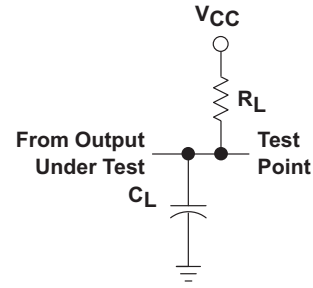


Figure 22. Load Circuit For Open-Collector Outputs

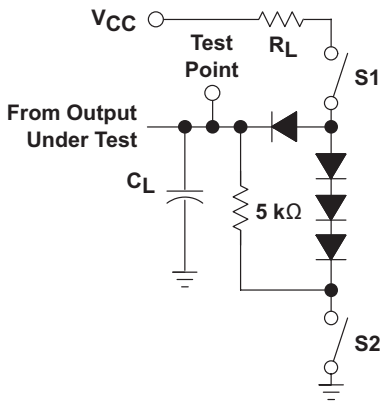


Figure 23. Load Circuit For 3-State Outputs

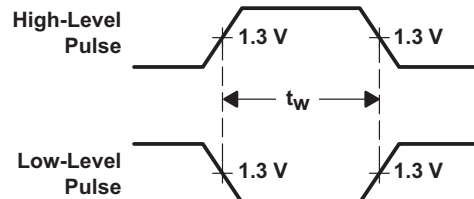


Figure 24. Voltage Waveforms Pulse Durations

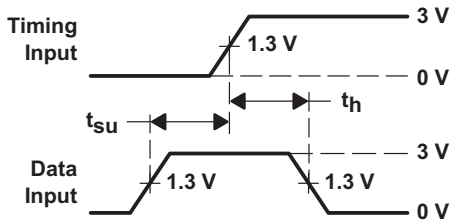


Figure 25. Voltage Waveforms Setup and Hold Times

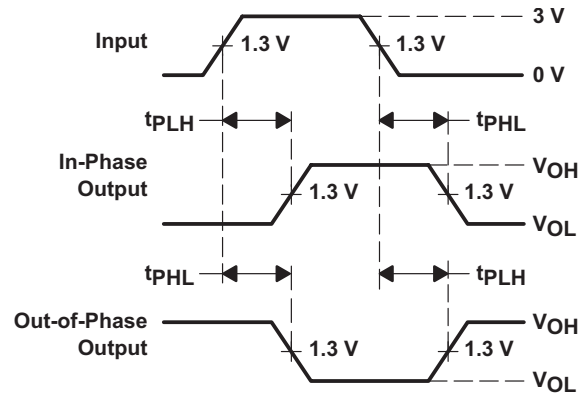
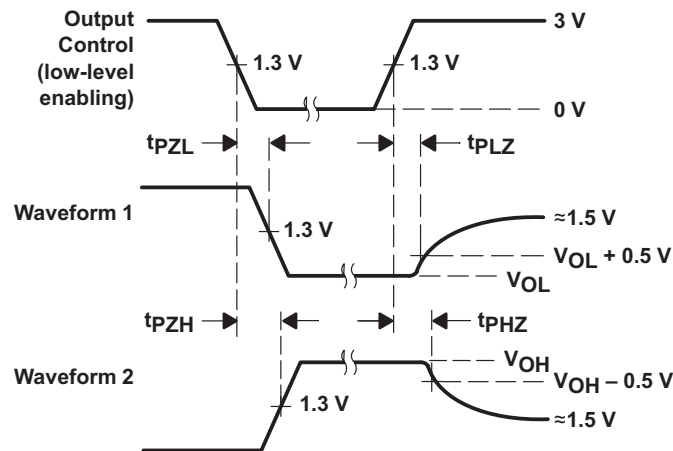


Figure 26. Voltage Waveforms Propagation Delay Times

Series SN54LS14 and SN74LS14 Devices (continued)


- A. C_L includes probe and jig capacitance.
- B. All diodes are 1N3064 or equivalent.
- C. Waveform 1 is for an output with internal conditions such that the output is low except when disabled by the output control. Waveform 2 is for an output with internal conditions such that the output is high except when disabled by the output control.
- D. S1 and S2 are closed for t_{PLH} , t_{PHL} , t_{PHZ} , and t_{PLZ} ; S1 is open and S2 is closed for t_{PZH} ; S1 is closed and S2 is open for t_{PZL} .
- E. Phase relationships between inputs and outputs have been chosen arbitrarily for these examples.
- F. All input pulses are supplied by generators having the following characteristics: $PRR \leq 1\text{ MHz}$, $Z_O \approx 50\ \Omega$, $t_r \leq 1.5\text{ ns}$, $t_f \leq 2.6\text{ ns}$.
- G. The outputs are measured one at a time with one input transition per measurement.

Figure 27. Voltage Waveforms Enable and Disable Times, 3-State Outputs

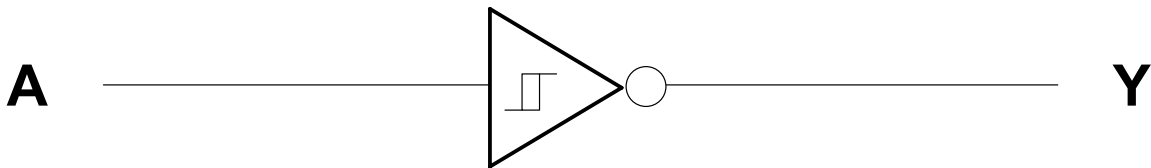
8 Detailed Description

8.1 Overview

The SNx414 and SNx4LS14 Schmitt-Trigger devices contain six independent inverters. They perform the Boolean function $Y = \bar{A}$ in positive logic.

Schmitt-Trigger inputs are designed to provide a minimum separation between positive and negative switching thresholds. This allows for noisy or slow inputs that would cause problems such as oscillation or excessive current draw with normal CMOS inputs.

8.2 Functional Block Diagram



Copyright © 2016, Texas Instruments Incorporated

8.3 Feature Description

The device can operate from very slow transition edge inputs. This device has high noise immunity.

8.4 Device Functional Modes

Table 1 lists the functional modes of the SNx414 and SNx4LS14.

Table 1. Function Table

| INPUT A | OUTPUT Y |
|---------|----------|
| H | L |
| L | H |

9 Application and Implementation

NOTE

Information in the following applications sections is not part of the TI component specification, and TI does not warrant its accuracy or completeness. TI's customers are responsible for determining suitability of components for their purposes. Customers should validate and test their design implementation to confirm system functionality.

9.1 Application Information

The SNx414 and SNx4LS14 device is a Schmitt-Trigger input CMOS device that can be used for a multitude of inverting buffer type functions. The application shown here takes advantage of the Schmitt-Trigger inputs to produce a delay for a logic input.

9.2 Typical Application

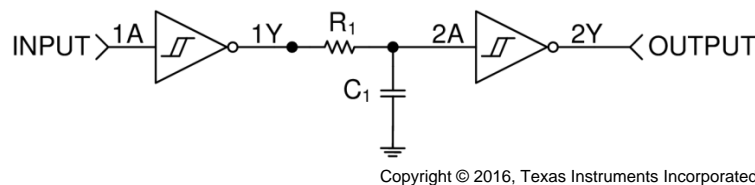


Figure 28. Simplified Application Schematic

9.2.1 Design Requirements

This device uses CMOS technology. Take care to avoid bus contention because it can drive currents that would exceed maximum limits. Parallel output drive can create fast edges into light loads, so consider routing and load conditions to prevent ringing.

9.2.2 Detailed Design Procedure

This circuit is designed around an RC network that produces a slow input to the second inverter. The RC time constant (τ) is calculated from: $\tau = RC$.

The delay time for this circuit is from $t_{\text{delay}(\text{min})} = -\ln |1 - V_{T+}(\text{min}) / V_{CC}| \tau$ to $t_{\text{delay}(\text{max})} = -\ln |1 - V_{T+}(\text{max}) / V_{CC}| \tau$. It must be noted that the delay is consistent for each device, but because the switching threshold is only ensured between the minimum and maximum value, the output pulse length varies between devices. These values must be calculated by using the minimum and maximum ensured V_{T+} values in the [Electrical Characteristics](#).

The resistor value must be chosen such that the maximum current to and from the SNx414/SNx4LS14 is 8 mA at 5-V V_{CC} .

Typical Application (continued)

9.2.3 Application Curve

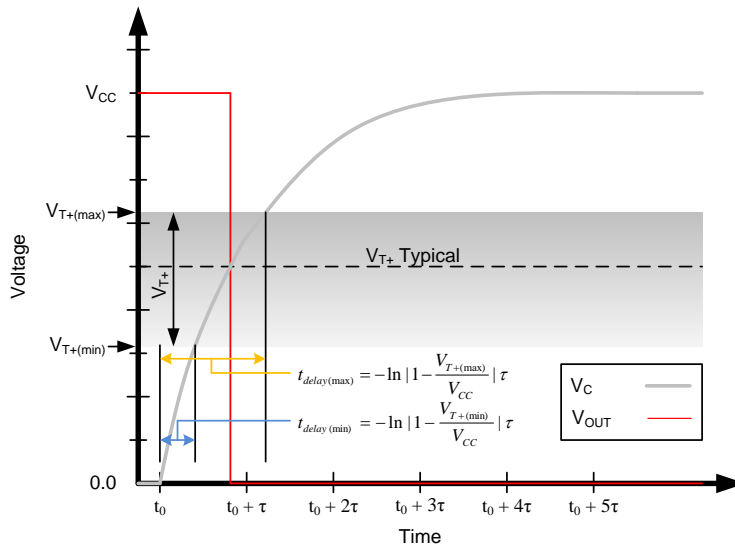


Figure 29. Ideal Capacitor Voltage and Output Voltage With Positive Switching Threshold

9.3 System Examples

Here are some examples of various applications using the SNx414 and SNx4LS14 device.

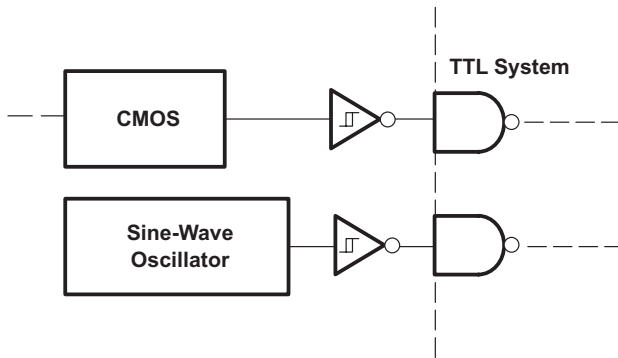


Figure 30. TTL System Interface For Slow Input Waveforms

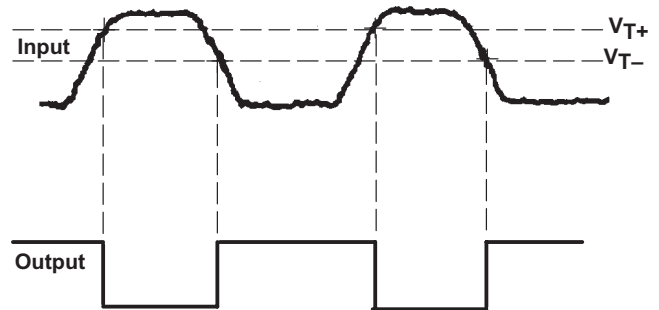
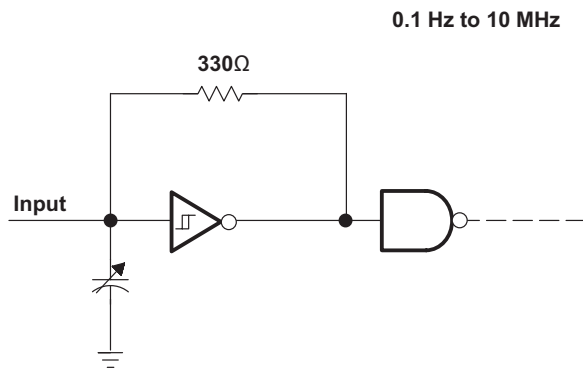


Figure 31. Pulse Shaper



0.1 Hz to 10 MHz

Figure 32. Multivibrator

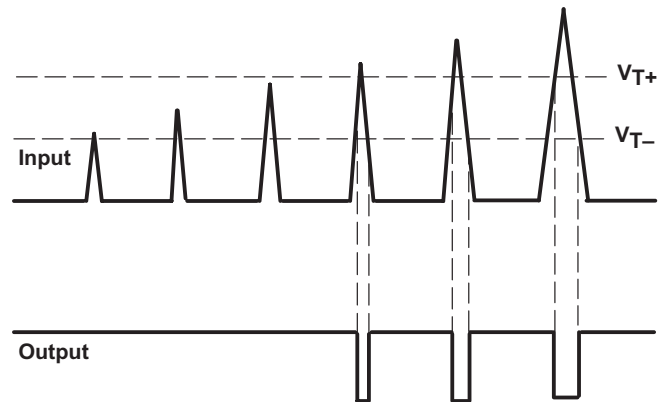


Figure 33. Threshold Detector

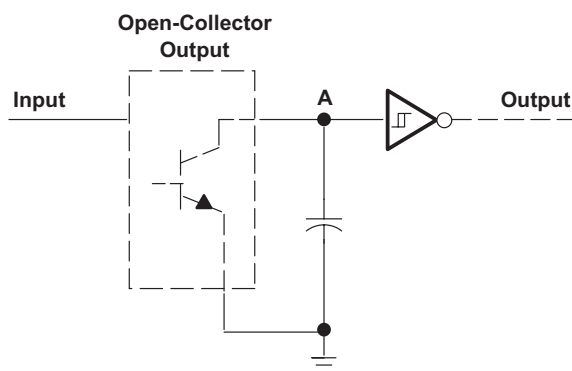
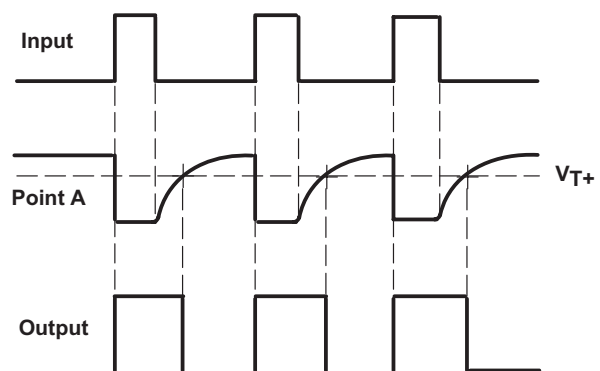


Figure 34. Pulse Stretcher



10 Power Supply Recommendations

The power supply can be any voltage between the minimum and maximum supply voltage rating located in the [Recommended Operating Conditions](#). The V_{CC} terminal must have a good bypass capacitor to prevent power disturbance. TI recommends using a 0.1- μ F capacitor on the V_{CC} terminal, and must be placed as close as possible to the pin for best results.

11 Layout

11.1 Layout Guidelines

When using multiple bit logic devices, inputs must never float. In many cases, functions or parts of functions of digital logic devices are unused, for example, when only two inputs of a triple-input AND gate are used or only three of the four buffer gates are used. Such inputs must not be left unconnected because the undefined voltages at the outside connections result in undefined operational states. All unused inputs of digital logic devices must be connected to a high or low bias to prevent them from floating. The logic level that must be applied to any particular unused input depends on the function of the device. Generally they are tied to GND or V_{CC} , whichever makes more sense or is more convenient. Floating outputs are generally acceptable, unless the part is a transceiver.

11.2 Layout Example

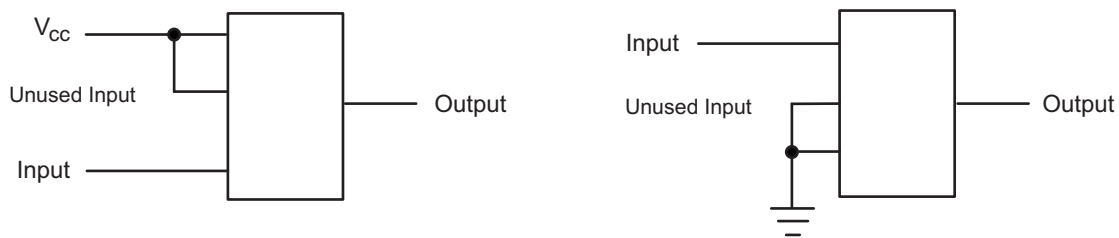


Figure 35. Layout Diagram

12 Device and Documentation Support

12.1 Related Links

The table below lists quick access links. Categories include technical documents, support and community resources, tools and software, and quick access to sample or buy.

Table 2. Related Links

| PARTS | PRODUCT FOLDER | SAMPLE & BUY | TECHNICAL DOCUMENTS | TOOLS & SOFTWARE | SUPPORT & COMMUNITY |
|----------|----------------------------|----------------------------|----------------------------|----------------------------|----------------------------|
| SN5414 | Click here | Click here | Click here | Click here | Click here |
| SN54LS14 | Click here | Click here | Click here | Click here | Click here |
| SN7414 | Click here | Click here | Click here | Click here | Click here |
| SN74LS14 | Click here | Click here | Click here | Click here | Click here |

12.2 Receiving Notification of Documentation Updates

To receive notification of documentation updates, navigate to the device product folder on ti.com. In the upper right corner, click on *Alert me* to register and receive a weekly digest of any product information that has changed. For change details, review the revision history included in any revised document.

12.3 Community Resources

The following links connect to TI community resources. Linked contents are provided "AS IS" by the respective contributors. They do not constitute TI specifications and do not necessarily reflect TI's views; see TI's [Terms of Use](#).

TI E2E™ Online Community *TI's Engineer-to-Engineer (E2E) Community*. Created to foster collaboration among engineers. At e2e.ti.com, you can ask questions, share knowledge, explore ideas and help solve problems with fellow engineers.

Design Support *TI's Design Support* Quickly find helpful E2E forums along with design support tools and contact information for technical support.

12.4 Trademarks

E2E is a trademark of Texas Instruments.
All other trademarks are the property of their respective owners.

12.5 Electrostatic Discharge Caution



These devices have limited built-in ESD protection. The leads should be shorted together or the device placed in conductive foam during storage or handling to prevent electrostatic damage to the MOS gates.

12.6 Glossary

[SLYZ022](#) — *TI Glossary*.

This glossary lists and explains terms, acronyms, and definitions.

13 Mechanical, Packaging, and Orderable Information

The following pages include mechanical, packaging, and orderable information. This information is the most current data available for the designated devices. This data is subject to change without notice and revision of this document. For browser-based versions of this data sheet, refer to the left-hand navigation.

PACKAGING INFORMATION

| Orderable Device | Status (1) | Package Type | Package Drawing | Pins | Package Qty | Eco Plan (2) | Lead finish/ Ball material (6) | MSL Peak Temp (3) | Op Temp (°C) | Device Marking (4/5) | Samples |
|------------------|---------------|--------------|-----------------|------|-------------|-------------------------|--------------------------------------|----------------------|--------------|--|-------------------------|
| 5962-9665801Q2A | ACTIVE | LCCC | FK | 20 | 1 | Non-RoHS & Non-Green | POST-PLATE | N / A for Pkg Type | -55 to 125 | 5962- 9665801Q2A SNJ54LS 14FK | Samples |
| 5962-9665801QCA | ACTIVE | CDIP | J | 14 | 1 | Non-RoHS & Non-Green | SNPB | N / A for Pkg Type | -55 to 125 | 5962-9665801QC A SNJ54LS14J | Samples |
| 5962-9665801QDA | ACTIVE | CFP | W | 14 | 1 | Non-RoHS & Non-Green | SNPB | N / A for Pkg Type | -55 to 125 | 5962-9665801QD A SNJ54LS14W | Samples |
| 5962-9665801VDA | ACTIVE | CFP | W | 14 | 1 | Non-RoHS & Non-Green | SNPB | N / A for Pkg Type | -55 to 125 | 5962-9665801VD A SNV54LS14W | Samples |
| JM38510/31302BCA | ACTIVE | CDIP | J | 14 | 1 | Non-RoHS & Non-Green | SNPB | N / A for Pkg Type | -55 to 125 | JM38510/ 31302BCA | Samples |
| M38510/31302BCA | ACTIVE | CDIP | J | 14 | 1 | Non-RoHS & Non-Green | SNPB | N / A for Pkg Type | -55 to 125 | JM38510/ 31302BCA | Samples |
| SN5414J | ACTIVE | CDIP | J | 14 | 1 | Non-RoHS & Non-Green | SNPB | N / A for Pkg Type | -55 to 125 | SN5414J | Samples |
| SN54LS14J | ACTIVE | CDIP | J | 14 | 1 | Non-RoHS & Non-Green | SNPB | N / A for Pkg Type | -55 to 125 | SN54LS14J | Samples |
| SN7414D | ACTIVE | SOIC | D | 14 | 50 | RoHS & Green | NIPDAU | Level-1-260C-UNLIM | 0 to 70 | 7414 | Samples |
| SN7414DG4 | ACTIVE | SOIC | D | 14 | 50 | RoHS & Green | NIPDAU | Level-1-260C-UNLIM | 0 to 70 | 7414 | Samples |
| SN7414DR | ACTIVE | SOIC | D | 14 | 2500 | RoHS & Green | NIPDAU | Level-1-260C-UNLIM | 0 to 70 | 7414 | Samples |
| SN7414N | ACTIVE | PDIP | N | 14 | 25 | RoHS & Green | NIPDAU | N / A for Pkg Type | 0 to 70 | SN7414N | Samples |
| SN7414NSR | ACTIVE | SO | NS | 14 | 2000 | RoHS & Green | NIPDAU | Level-1-260C-UNLIM | 0 to 70 | SN7414 | Samples |
| SN74LS14D | ACTIVE | SOIC | D | 14 | 50 | RoHS & Green | NIPDAU | Level-1-260C-UNLIM | 0 to 70 | LS14 | Samples |
| SN74LS14DBR | ACTIVE | SSOP | DB | 14 | 2000 | RoHS & Green | NIPDAU | Level-1-260C-UNLIM | 0 to 70 | LS14 | Samples |
| SN74LS14DE4 | ACTIVE | SOIC | D | 14 | 50 | RoHS & Green | NIPDAU | Level-1-260C-UNLIM | 0 to 70 | LS14 | Samples |

| Orderable Device | Status (1) | Package Type | Package Drawing | Pins | Package Qty | Eco Plan (2) | Lead finish/ Ball material (6) | MSL Peak Temp (3) | Op Temp (°C) | Device Marking (4/5) | Samples |
|------------------|---------------|--------------|-----------------|------|-------------|-------------------------|--------------------------------------|----------------------|--------------|--|-------------------------|
| SN74LS14DG4 | ACTIVE | SOIC | D | 14 | 50 | RoHS & Green | NIPDAU | Level-1-260C-UNLIM | 0 to 70 | LS14 | Samples |
| SN74LS14DR | ACTIVE | SOIC | D | 14 | 2500 | RoHS & Green | NIPDAU | Level-1-260C-UNLIM | 0 to 70 | LS14 | Samples |
| SN74LS14DRE4 | ACTIVE | SOIC | D | 14 | 2500 | RoHS & Green | NIPDAU | Level-1-260C-UNLIM | 0 to 70 | LS14 | Samples |
| SN74LS14DRG4 | ACTIVE | SOIC | D | 14 | 2500 | RoHS & Green | NIPDAU | Level-1-260C-UNLIM | 0 to 70 | LS14 | Samples |
| SN74LS14N | ACTIVE | PDIP | N | 14 | 25 | RoHS & Green | NIPDAU | N / A for Pkg Type | 0 to 70 | SN74LS14N | Samples |
| SN74LS14NE4 | ACTIVE | PDIP | N | 14 | 25 | RoHS & Green | NIPDAU | N / A for Pkg Type | 0 to 70 | SN74LS14N | Samples |
| SN74LS14NSR | ACTIVE | SO | NS | 14 | 2000 | RoHS & Green | NIPDAU | Level-1-260C-UNLIM | 0 to 70 | 74LS14 | Samples |
| SNJ5414J | ACTIVE | CDIP | J | 14 | 1 | Non-RoHS & Non-Green | SNPB | N / A for Pkg Type | -55 to 125 | SNJ5414J | Samples |
| SNJ5414W | ACTIVE | CFP | W | 14 | 1 | Non-RoHS & Non-Green | SNPB | N / A for Pkg Type | -55 to 125 | SNJ5414W | Samples |
| SNJ54LS14FK | ACTIVE | LCCC | FK | 20 | 1 | Non-RoHS & Non-Green | POST-PLATE | N / A for Pkg Type | -55 to 125 | 5962- 9665801Q2A SNJ54LS 14FK | Samples |
| SNJ54LS14J | ACTIVE | CDIP | J | 14 | 1 | Non-RoHS & Non-Green | SNPB | N / A for Pkg Type | -55 to 125 | 5962-9665801QC A SNJ54LS14J | Samples |
| SNJ54LS14W | ACTIVE | CFP | W | 14 | 1 | Non-RoHS & Non-Green | SNPB | N / A for Pkg Type | -55 to 125 | 5962-9665801QD A SNJ54LS14W | Samples |

(1) The marketing status values are defined as follows:

ACTIVE: Product device recommended for new designs.

LIFEBUY: TI has announced that the device will be discontinued, and a lifetime-buy period is in effect.

NRND: Not recommended for new designs. Device is in production to support existing customers, but TI does not recommend using this part in a new design.

PREVIEW: Device has been announced but is not in production. Samples may or may not be available.

OBSOLETE: TI has discontinued the production of the device.

(2) **RoHS:** TI defines "RoHS" to mean semiconductor products that are compliant with the current EU RoHS requirements for all 10 RoHS substances, including the requirement that RoHS substance do not exceed 0.1% by weight in homogeneous materials. Where designed to be soldered at high temperatures, "RoHS" products are suitable for use in specified lead-free processes. TI may reference these types of products as "Pb-Free".

RoHS Exempt: TI defines "RoHS Exempt" to mean products that contain lead but are compliant with EU RoHS pursuant to a specific EU RoHS exemption.

Green: TI defines "Green" to mean the content of Chlorine (Cl) and Bromine (Br) based flame retardants meet JS709B low halogen requirements of ≤ 1000 ppm threshold. Antimony trioxide based flame retardants must also meet the ≤ 1000 ppm threshold requirement.

(3) MSL, Peak Temp. - The Moisture Sensitivity Level rating according to the JEDEC industry standard classifications, and peak solder temperature.

(4) There may be additional marking, which relates to the logo, the lot trace code information, or the environmental category on the device.

(5) Multiple Device Markings will be inside parentheses. Only one Device Marking contained in parentheses and separated by a "~" will appear on a device. If a line is indented then it is a continuation of the previous line and the two combined represent the entire Device Marking for that device.

(6) Lead finish/Ball material - Orderable Devices may have multiple material finish options. Finish options are separated by a vertical ruled line. Lead finish/Ball material values may wrap to two lines if the finish value exceeds the maximum column width.

Important Information and Disclaimer: The information provided on this page represents TI's knowledge and belief as of the date that it is provided. TI bases its knowledge and belief on information provided by third parties, and makes no representation or warranty as to the accuracy of such information. Efforts are underway to better integrate information from third parties. TI has taken and continues to take reasonable steps to provide representative and accurate information but may not have conducted destructive testing or chemical analysis on incoming materials and chemicals. TI and TI suppliers consider certain information to be proprietary, and thus CAS numbers and other limited information may not be available for release.

In no event shall TI's liability arising out of such information exceed the total purchase price of the TI part(s) at issue in this document sold by TI to Customer on an annual basis.

OTHER QUALIFIED VERSIONS OF SN5414, SN54LS14, SN54LS14-SP, SN7414, SN74LS14 :

● Catalog: [SN7414](#), [SN74LS14](#), [SN54LS14](#)

● Military: [SN5414](#), [SN54LS14](#)

● Space: [SN54LS14-SP](#)

NOTE: Qualified Version Definitions:

- Catalog - TI's standard catalog product
- Military - QML certified for Military and Defense Applications
- Space - Radiation tolerant, ceramic packaging and qualified for use in Space-based application

TAPE AND REEL INFORMATION

QUADRANT ASSIGNMENTS FOR PIN 1 ORIENTATION IN TAPE


*All dimensions are nominal

| Device | Package Type | Package Drawing | Pins | SPQ | Reel Diameter (mm) | Reel Width W1 (mm) | A0 (mm) | B0 (mm) | K0 (mm) | P1 (mm) | W (mm) | Pin1 Quadrant |
|-------------|--------------|-----------------|------|------|--------------------|--------------------|---------|---------|---------|---------|--------|---------------|
| SN7414DR | SOIC | D | 14 | 2500 | 330.0 | 16.4 | 6.5 | 9.0 | 2.1 | 8.0 | 16.0 | Q1 |
| SN7414NSR | SO | NS | 14 | 2000 | 330.0 | 16.4 | 8.2 | 10.5 | 2.5 | 12.0 | 16.0 | Q1 |
| SN74LS14DR | SOIC | D | 14 | 2500 | 330.0 | 16.4 | 6.5 | 9.0 | 2.1 | 8.0 | 16.0 | Q1 |
| SN74LS14NSR | SO | NS | 14 | 2000 | 330.0 | 16.4 | 8.2 | 10.5 | 2.5 | 12.0 | 16.0 | Q1 |

TAPE AND REEL BOX DIMENSIONS


*All dimensions are nominal

| Device | Package Type | Package Drawing | Pins | SPQ | Length (mm) | Width (mm) | Height (mm) |
|-------------|--------------|-----------------|------|------|-------------|------------|-------------|
| SN7414DR | SOIC | D | 14 | 2500 | 367.0 | 367.0 | 38.0 |
| SN7414NSR | SO | NS | 14 | 2000 | 367.0 | 367.0 | 38.0 |
| SN74LS14DR | SOIC | D | 14 | 2500 | 367.0 | 367.0 | 38.0 |
| SN74LS14NSR | SO | NS | 14 | 2000 | 367.0 | 367.0 | 38.0 |

FK (S-CQCC-N**)

LEADLESS CERAMIC CHIP CARRIER

28 TERMINAL SHOWN



| NO. OF TERMINALS ** | A | | B | |
|---------------------|------------------|------------------|------------------|------------------|
| | MIN | MAX | MIN | MAX |
| 20 | 0.342 (8,69) | 0.358 (9,09) | 0.307 (7,80) | 0.358 (9,09) |
| 28 | 0.442 (11,23) | 0.458 (11,63) | 0.406 (10,31) | 0.458 (11,63) |
| 44 | 0.640 (16,26) | 0.660 (16,76) | 0.495 (12,58) | 0.560 (14,22) |
| 52 | 0.740 (18,78) | 0.761 (19,32) | 0.495 (12,58) | 0.560 (14,22) |
| 68 | 0.938 (23,83) | 0.962 (24,43) | 0.850 (21,6) | 0.858 (21,8) |
| 84 | 1.141 (28,99) | 1.165 (29,59) | 1.047 (26,6) | 1.063 (27,0) |



4040140/D 01/11

- NOTES:
- All linear dimensions are in inches (millimeters).
 - This drawing is subject to change without notice.
 - This package can be hermetically sealed with a metal lid.
 - Falls within JEDEC MS-004

MECHANICAL DATA

NS (R-PDSO-G**)

PLASTIC SMALL-OUTLINE PACKAGE

14-PINS SHOWN



- NOTES:
- A. All linear dimensions are in millimeters.
 - B. This drawing is subject to change without notice.
 - C. Body dimensions do not include mold flash or protrusion, not to exceed 0,15.

W (R-GDFP-F14)

CERAMIC DUAL FLATPACK



4040180-2/F 04/14

- NOTES:
- A. All linear dimensions are in inches (millimeters).
 - B. This drawing is subject to change without notice.
 - C. This package can be hermetically sealed with a ceramic lid using glass frit.
 - D. Index point is provided on cap for terminal identification only.
 - E. Falls within MIL STD 1835 GDFP1-F14

J 14

GENERIC PACKAGE VIEW
CDIP - 5.08 mm max height
CERAMIC DUAL IN LINE PACKAGE



Images above are just a representation of the package family, actual package may vary.
Refer to the product data sheet for package details.

4040083-5/G

J0014A



PACKAGE OUTLINE

CDIP - 5.08 mm max height

CERAMIC DUAL IN LINE PACKAGE



4214771/A 05/2017

NOTES:

1. All controlling linear dimensions are in inches. Dimensions in brackets are in millimeters. Any dimension in brackets or parenthesis are for reference only. Dimensioning and tolerancing per ASME Y14.5M.
2. This drawing is subject to change without notice.
3. This package is hermetically sealed with a ceramic lid using glass frit.
4. Index point is provided on cap for terminal identification only and on press ceramic glass frit seal only.
5. Falls within MIL-STD-1835 and GDIP1-T14.

EXAMPLE BOARD LAYOUT

J0014A

CDIP - 5.08 mm max height

CERAMIC DUAL IN LINE PACKAGE



LAND PATTERN EXAMPLE
NON-SOLDER MASK DEFINED
SCALE: 5X



4214771/A 05/2017

D (R-PDSO-G14)

PLASTIC SMALL OUTLINE



- NOTES:
- A. All linear dimensions are in inches (millimeters).
 - B. This drawing is subject to change without notice.
 - C. Body length does not include mold flash, protrusions, or gate burrs. Mold flash, protrusions, or gate burrs shall not exceed 0.006 (0,15) each side.
 - D. Body width does not include interlead flash. Interlead flash shall not exceed 0.017 (0,43) each side.
 - E. Reference JEDEC MS-012 variation AB.

D (R-PDSO-G14)

PLASTIC SMALL OUTLINE



- NOTES:
- All linear dimensions are in millimeters.
 - This drawing is subject to change without notice.
 - Publication IPC-7351 is recommended for alternate designs.
 - Laser cutting apertures with trapezoidal walls and also rounding corners will offer better paste release. Customers should contact their board assembly site for stencil design recommendations. Refer to IPC-7525 for other stencil recommendations.
 - Customers should contact their board fabrication site for solder mask tolerances between and around signal pads.

N (R-PDIP-T**)

PLASTIC DUAL-IN-LINE PACKAGE

16 PINS SHOWN



- NOTES:
- A. All linear dimensions are in inches (millimeters).
 - B. This drawing is subject to change without notice.
 - $\triangle C$ Falls within JEDEC MS-001, except 18 and 20 pin minimum body length (Dim A).
 - $\triangle D$ The 20 pin end lead shoulder width is a vendor option, either half or full width.

4040049/E 12/2002

DB (R-PDSO-G**)

PLASTIC SMALL-OUTLINE

28 PINS SHOWN



- NOTES: A. All linear dimensions are in millimeters.
 B. This drawing is subject to change without notice.
 C. Body dimensions do not include mold flash or protrusion not to exceed 0,15.
 D. Falls within JEDEC MO-150

IMPORTANT NOTICE AND DISCLAIMER

TI PROVIDES TECHNICAL AND RELIABILITY DATA (INCLUDING DATASHEETS), DESIGN RESOURCES (INCLUDING REFERENCE DESIGNS), APPLICATION OR OTHER DESIGN ADVICE, WEB TOOLS, SAFETY INFORMATION, AND OTHER RESOURCES "AS IS" AND WITH ALL FAULTS, AND DISCLAIMS ALL WARRANTIES, EXPRESS AND IMPLIED, INCLUDING WITHOUT LIMITATION ANY IMPLIED WARRANTIES OF MERCHANTABILITY, FITNESS FOR A PARTICULAR PURPOSE OR NON-INFRINGEMENT OF THIRD PARTY INTELLECTUAL PROPERTY RIGHTS.

These resources are intended for skilled developers designing with TI products. You are solely responsible for (1) selecting the appropriate TI products for your application, (2) designing, validating and testing your application, and (3) ensuring your application meets applicable standards, and any other safety, security, or other requirements. These resources are subject to change without notice. TI grants you permission to use these resources only for development of an application that uses the TI products described in the resource. Other reproduction and display of these resources is prohibited. No license is granted to any other TI intellectual property right or to any third party intellectual property right. TI disclaims responsibility for, and you will fully indemnify TI and its representatives against, any claims, damages, costs, losses, and liabilities arising out of your use of these resources.

TI's products are provided subject to TI's Terms of Sale (www.ti.com/legal/termsofsale.html) or other applicable terms available either on ti.com or provided in conjunction with such TI products. TI's provision of these resources does not expand or otherwise alter TI's applicable warranties or warranty disclaimers for TI products.

Mailing Address: Texas Instruments, Post Office Box 655303, Dallas, Texas 75265
Copyright © 2020, Texas Instruments Incorporated