

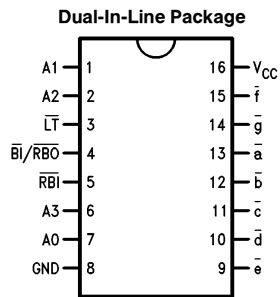
DM74LS247

BCD to 7-Segment Decoder/Driver with Open-Collector Outputs

General Description

The 'LS247 has active LOW open-collector outputs guaranteed to sink 24 mA. It has the same electrical characteristics and pin connections as the 'LS47. The only difference is that the 'LS247 will light the top bar (segment a) for numeral 6 and the bottom bar (segment d) for numeral 9. For detailed description and specifications please refer to the 'LS47 data sheet.

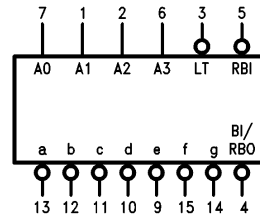
Connection Diagram



TL/F/9822-1

Order Number **DM74LS247M** or **DM74LS247N**
See NS Package Number **M16A** or **N16E**

Logic Symbol



V_{CC} = Pin 16
GND = Pin 8

TL/F/9822-2

Pin Names	Description
A0–A3	BCD Inputs
\overline{RBI}	Ripple Blanking Input (Active LOW)
\overline{LT}	Lamp Test Input (Active LOW)
$\overline{BI}/\overline{RBO}$	Blanking Input (Active LOW) or Ripple Blanking Output (Active LOW)
\overline{a} – \overline{g}	Segment Outputs (Active LOW)

Absolute Maximum Ratings (Note)

Supply Voltage	7V
Input Voltage	7V
Operating Free Air Temperature Range	0°C to +70°C
Storage Temperature Range	-65°C to +150°C

Note: The "Absolute Maximum Ratings" are those values beyond which the safety of the device cannot be guaranteed. The device should not be operated at these limits. The parametric values defined in the "Electrical Characteristics" table are not guaranteed at the absolute maximum ratings. The "Recommended Operating Conditions" table will define the conditions for actual device operation.

Recommended Operating Conditions

Symbol	Parameter	Min	Nom	Max	Units
V _{CC}	Supply Voltage	4.75	5	5.25	V
V _{IH}	High Level Input Voltage	2			V
V _{IL}	Low Level Input Voltage			0.8	V
I _{OH}	High Level Output Current $\overline{\text{BI}}/\overline{\text{RBO}}$			-50	μA
I _{OL}	Low Level Output Current			24	mA
T _A	Free Air Operating Temperature	0		70	°C

Electrical Characteristics over recommended operating free air temperature range (unless otherwise noted)

Symbol	Parameter	Conditions	Min	Typ (Note 1)	Max	Units	
V _I	Input Clamp Voltage	V _{CC} = Min, I _I = -18 mA			-1.5	V	
V _{OH}	High Level Output Voltage	V _{CC} = Min, I _{OH} = Max, V _{IL} = Max	$\overline{\text{BI}}/\overline{\text{RBO}}$	2.4	3.4	V	
I _{OFF}	Output High Current Segment Outputs	V _{CC} = 5.5V, V _O = 15V	$\overline{\text{a-g}}$		250	μA	
V _{OL}	Low Level Output Voltage	V _{CC} = Min	I _{OL} = Max, V _{IH} = Min	$\overline{\text{a-g}}$	0.35	0.5	V
			I _{OL} = 3.2 mA	$\overline{\text{BI}}/\overline{\text{RBO}}$		0.5	
			I _{OL} = 12 mA	$\overline{\text{a-g}}$	0.25	0.4	
			I _{OL} = 1.6 mA	$\overline{\text{BI}}/\overline{\text{RBO}}$		0.4	
I _I	Input Current @ Max Input Voltage	V _{CC} = Max, V _I = 7V			0.1	mA	
I _{IH}	High Level Input Current	V _{CC} = Max, V _I = 2.7V			20	μA	
I _{IL}	Low Level Input Current	V _{CC} = Max, V _I = 0.4V	Other Inputs			-0.4	mA
		V _{CC} = Max, V _I = 0.4V	$\overline{\text{BI}}/\overline{\text{RBO}}$ Input			-1.2	mA
I _{OS}	Short Circuit Output Current	V _{CC} = Max (Note 2)	-0.3		-2.0	mA	
I _{CC}	Supply Current	V _{CC} = Max			13	mA	

Note 1: All typicals are at V_{CC} = 5V, T_A = 25°C.

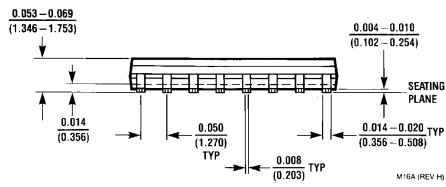
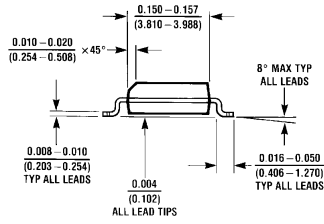
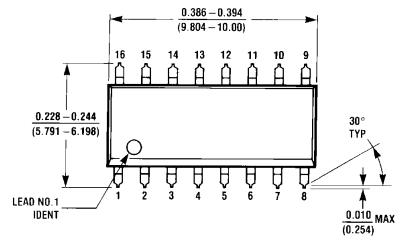
Note 2: Not more than one output should be shorted at a time, and the duration should not exceed one second.

Switching Characteristics

V_{CC} = +5V, T_A = +25°C

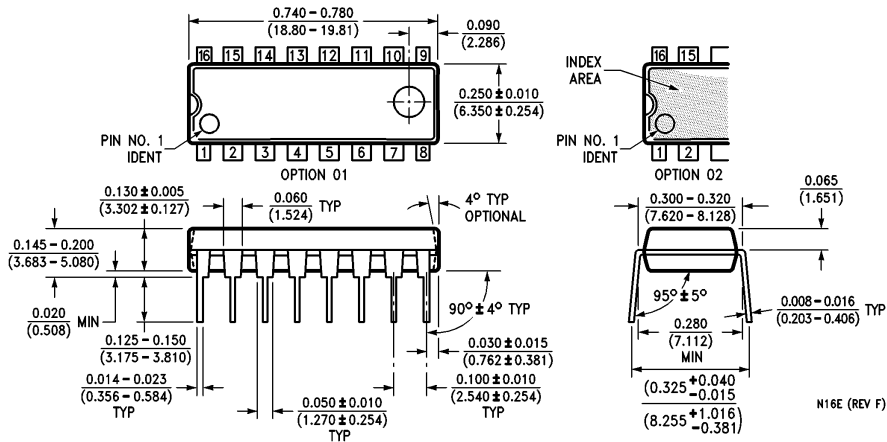
Symbol	Parameter	R _L = 2 kΩ		Units
		C _L = 15 pF		
		Min	Max	
t _{PLH}	Propagation Delay Time Low to High Level Output		100	ns
t _{PHL}	Propagation Delay Time High to Low Level Output		100	ns

Physical Dimensions inches (millimeters)



16-Lead Small Outline Molded Package (M)
Order Number DM74LS247M
NS Package Number M16A

Physical Dimensions inches (millimeters) (Continued)



16-Lead Molded Dual-In-Line Package (N)
Order Number DM74LS247N
NS Package Number N16E

LIFE SUPPORT POLICY

NATIONAL'S PRODUCTS ARE NOT AUTHORIZED FOR USE AS CRITICAL COMPONENTS IN LIFE SUPPORT DEVICES OR SYSTEMS WITHOUT THE EXPRESS WRITTEN APPROVAL OF THE PRESIDENT OF NATIONAL SEMICONDUCTOR CORPORATION. As used herein:

1. Life support devices or systems are devices or systems which, (a) are intended for surgical implant into the body, or (b) support or sustain life, and whose failure to perform, when properly used in accordance with instructions for use provided in the labeling, can be reasonably expected to result in a significant injury to the user.
2. A critical component is any component of a life support device or system whose failure to perform can be reasonably expected to cause the failure of the life support device or system, or to affect its safety or effectiveness.



National Semiconductor Corporation
 1111 West Bardin Road
 Arlington, TX 76017
 Tel: 1(800) 272-9959
 Fax: 1(800) 737-7018

National Semiconductor Europe
 Fax: (+49) 0-180-530 85 86
 Email: onjwge@tevm2.nsc.com
 Deutsch Tel: (+49) 0-180-530 85 85
 English Tel: (+49) 0-180-532 78 32
 Français Tel: (+49) 0-180-532 93 58
 Italiano Tel: (+49) 0-180-534 16 80

National Semiconductor Hong Kong Ltd.
 19th Floor, Straight Block,
 Ocean Centre, 5 Canton Rd.
 Tsimshatsui, Kowloon
 Hong Kong
 Tel: (852) 2737-1600
 Fax: (852) 2736-9960

National Semiconductor Japan Ltd.
 Tel: 81-043-299-2309
 Fax: 81-043-299-2408

National does not assume any responsibility for use of any circuitry described, no circuit patent licenses are implied and National reserves the right at any time without notice to change said circuitry and specifications.