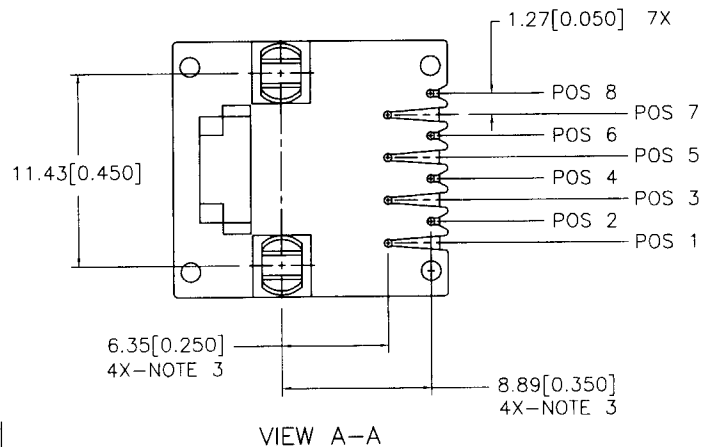
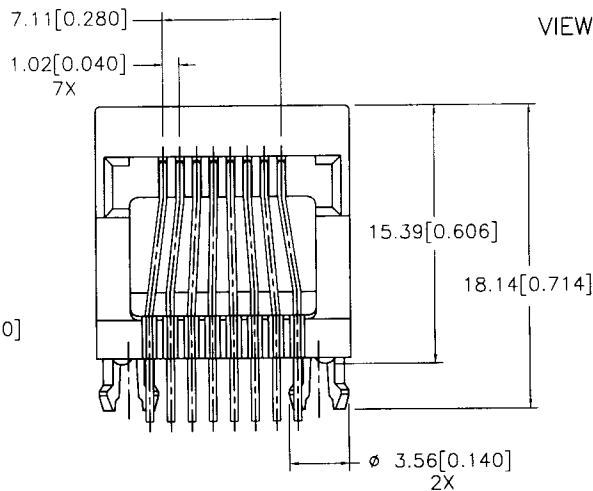
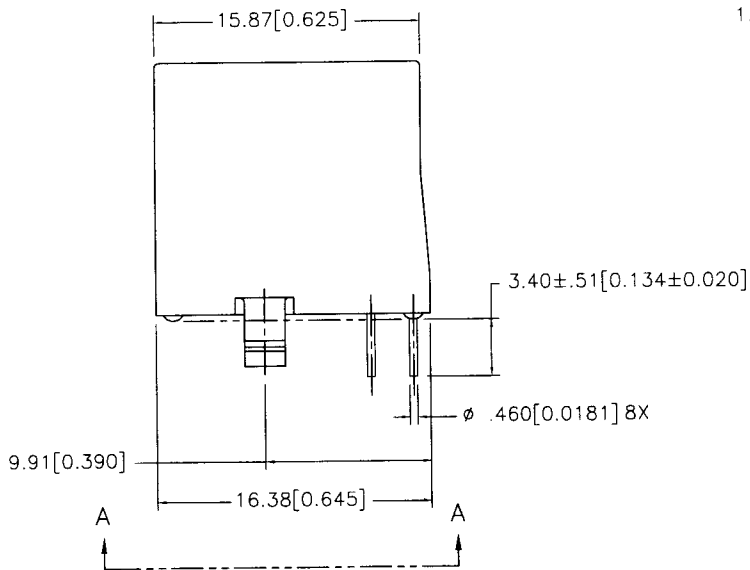
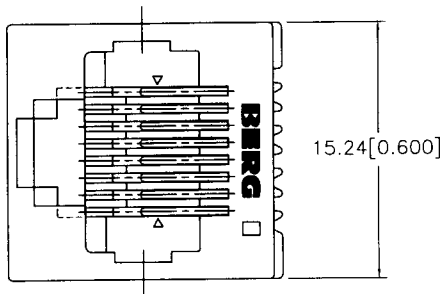


Tous droits strictement réservés. Reproduction ou communication a des tiers interdite sous quelque forme que ce soit sans autorisation écrite du propriétaire. Propriété de ©BERG ELECTRONICS. Droits de reproduction BERG ELECTRONICS INC.



All rights strictly reserved. Reproduction or issue to third parties in any form whatever is not permitted without written authority from the proprietor. Property of ©BERG ELECTRONICS Copyright BERG ELECTRONICS INC.

PRODUCT NO.
SEE TABLE



mat'l. code				tolerances unless otherwise specified		CUSTOMER COPY	
ltr	ecn no	dr	date	linear	.x±.3/.xx±.01		
A	V71534	GAH	10/30/97		.xx±.13/.xxx±.005		
B	V80048	BWN	1/13/98		.xxx±.051/.xxxx±.0020	mm/INCH 	product family MOD JACK size dwg no A4 74268
C	V80394	BWN	3/9/98	angles	0'±2'		
D	V81208	GAH	6/30/98	dr	G. HULL 10/13/97	scale 1:1	code sheet 1 of 2
				enrg	B. NAREHOOD 10/13/97		
				chr	B. NAREHOOD 10/13/97		
				appd	J. SPICKLER 10/13/97		
sheet index	revision sheet	D 1	B 2				

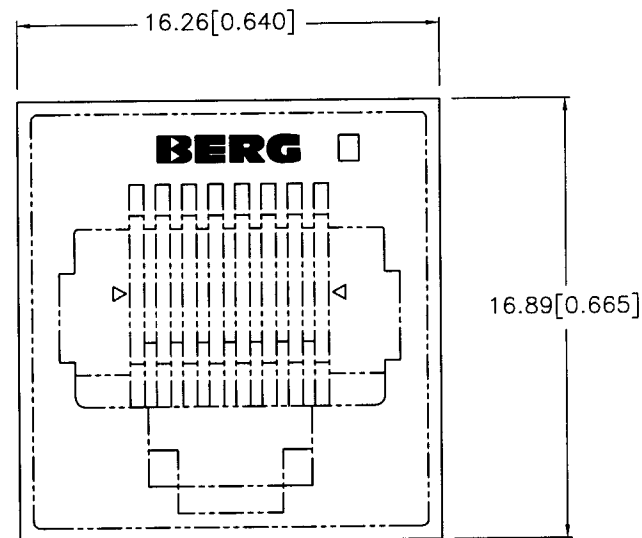
Tous droits strictement réservés. Reproduction ou communication à des tiers interdite sous quelque forme que ce soit sans autorisation écrite du propriétaire. Propriété de ©BERG ELECTRONICS. Droits de reproduction BERG ELECTRONICS INC.



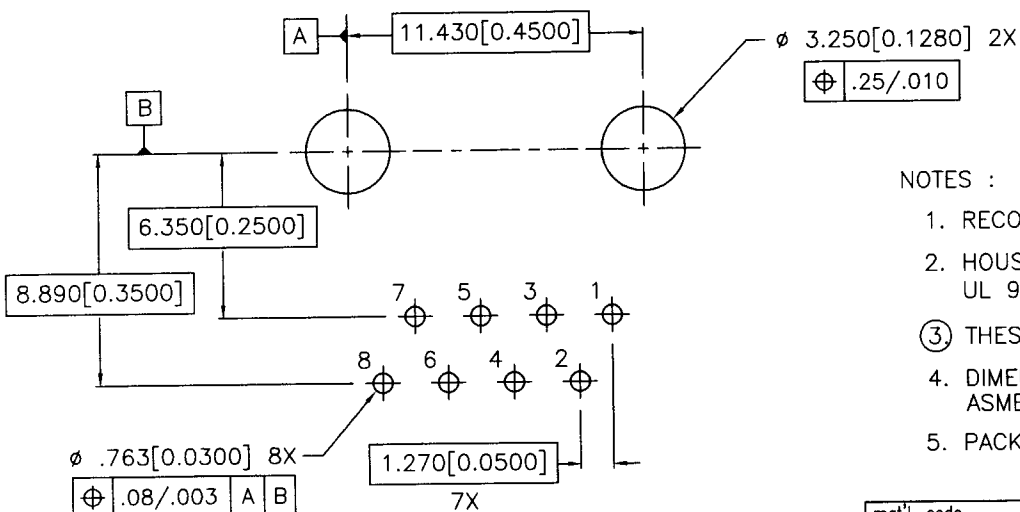
All rights strictly reserved. Reproduction or issue to third parties in any form whatever is not permitted without written authority from the proprietor. Property of ©BERG ELECTRONICS Copyright BERG ELECTRONICS INC.

PRODUCT NO	POSITIONS LOADED
74268-X01	ALL

PLATING CODE "X"	CONTACT PLATING
0	30u"/.76uM GXT
3	30u"/.76uM Au
5	50u"/1.27uM Au



RECOMMENDED PANEL CUTOUT



RECOMMENDED PCB LAYOUT
AS VIEWED FROM TOP SIDE (COMPONENT SIDE)

NOTES :

1. RECOMMENDED PCB THICKNESS 1.57 [0.062].
2. HOUSING MATL.: HIGH TEMPERATURE THERMOPLASTIC MATERIAL. UL 94V-0, COLOR BLACK.
3. THESE DIMENSIONS ARE TAKEN FROM THE TOP OF THE PEG.
4. DIMENSIONS AND TOLERANCES ARE IN ACCORDANCE WITH ASME Y14.5M 1994.
5. PACKAGE IN TUBES.

mat'l. code				tolerances unless otherwise specified		CUSTOMER COPY		BERG ELECTRONICS	
ltr	ecn no	dr	date	linear	.X±.3/.XX±.01	projection	title 8 POS VERT. SNAP PEG P.C.B. III MOD JACK ASSY		
B					.XX±.13/.XXX±.005		product family MOD JACK		code
				angles	.XXX±.051/.XXX±.0020		mm/INCH	size	
				dr	G. HULL 10/13/97	scale	A4	74268	2 of
				engr	B. NAREHOOD 10/13/97	1:1	dwg no		
				chr	B. NAREHOOD 10/13/97				
				appd	B. NAREHOOD 10/13/97				
sheet index	revision sheet							cage code	4
								22526	