

# 7496, LS96 Shift Registers

## 5-Bit Shift Register Product Specification

### Logic Products

#### FEATURES

- 5-bit parallel-to-serial or serial-to-parallel converter
- Asynchronous ones transfer preset entry
- Buffered positive-triggered clock
- Buffered active LOW Clear (Master Reset)

#### DESCRIPTION

The '96 is a 5-bit shift register with both serial and parallel (ones transfer) data entry. Since the '96 has the output of each stage available as well as a D-type serial input and ones transfer inputs on each stage, it can be used in 5-bit serial-to-parallel, serial-to-serial and some parallel-to-serial data operations.

The '96 is five master/slave flip-flops connected to perform right shift. The flip-flops change state on the LOW-to-HIGH transition of the clock. The Serial (S) input is edge-triggered and must be stable only one set-up time before the LOW-to-HIGH clock transition.

TYPE	TYPICAL PROPAGATION DELAY	TYPICAL SUPPLY CURRENT (TOTAL)
7496	25ns	48mA
74LS96	25ns	12mA

#### ORDERING CODE

PACKAGES	COMMERCIAL RANGE $V_{CC} = 5V \pm 5\%$ ; $T_A = 0^\circ C$ to $+70^\circ C$
Plastic DIP	N7496N, N74LS96N

#### NOTE:

For information regarding devices processed to Military Specifications, see the Signetics Military Products Data Manual.

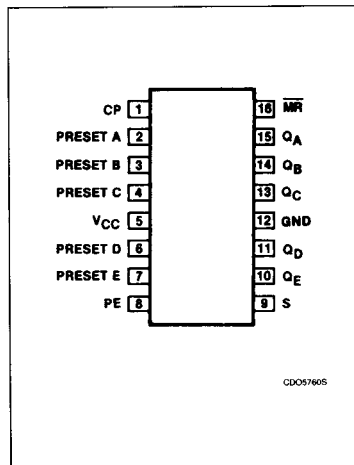
#### INPUT AND OUTPUT LOADING AND FAN-OUT TABLE

PINS	DESCRIPTION	74	74LS
Preset enable	Inputs	5uI	5LSuI
All other	Inputs	1uI	1LSuI
Q	Outputs	10uI	10LSuI

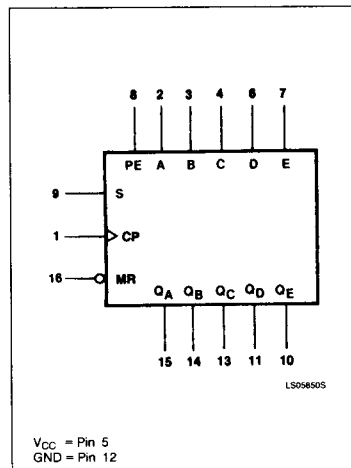
#### NOTE:

A 74 unit load (uI) is understood to be  $40\mu A I_{IH}$  and  $-1.6mA I_{IL}$ , and a 74LS unit load (LSuI) is  $20\mu A I_{IH}$  and  $-0.4mA I_{IL}$ .

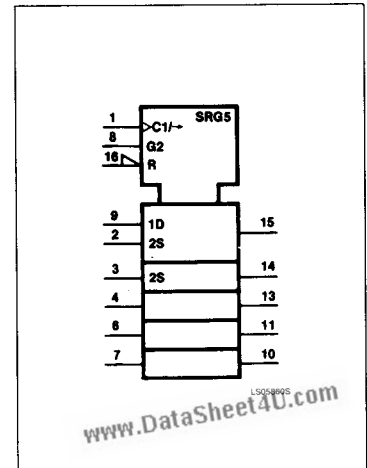
#### PIN CONFIGURATION



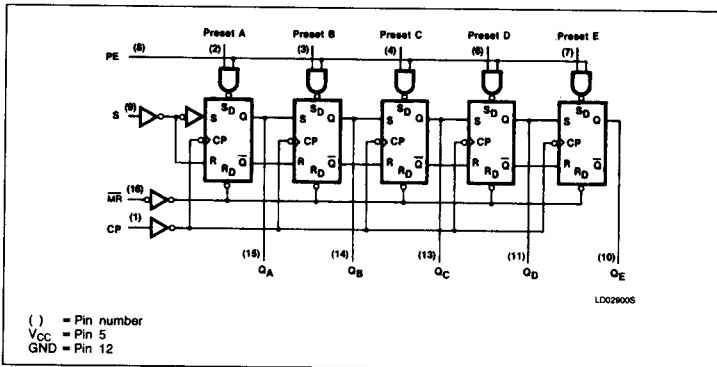
#### LOGIC SYMBOL



#### LOGIC SYMBOL (IEEE/IEC)



LOGIC DIAGRAM



Each flip-flop has asynchronous set inputs, allowing them to be independently set HIGH. The set inputs are controlled by a common active HIGH Preset Enable (PE) input. The PE input is not buffered, and care must be taken not to overload the driving element. When the PE is HIGH, a HIGH on the Preset (A - E) inputs will set the associated flip-flops HIGH. A LOW on the A - E inputs will cause "no change" in the appropriate flip-flops.

The asynchronous active LOW Clear ( $\overline{MR}$ ) is buffered. When LOW, the  $\overline{MR}$  overrides the clock and clears the register if the PE is not active. The Preset inputs override the  $\overline{MR}$ , forcing the flip-flops HIGH if both are activated simultaneously. However, for predictable operation, both signals should not be deactivated simultaneously.

FUNCTION TABLE

Master Reset	Preset Enable	INPUTS					Clock	Serial	OUTPUTS				
		A	B	C	D	E			Q <sub>A</sub>	Q <sub>B</sub>	Q <sub>C</sub>	Q <sub>D</sub>	Q <sub>E</sub>
L	L	X	X	X	X	X	X	X	L	L	L	L	L
L	X	L	L	L	L	L	X	X	L	L	L	L	L
H	H	H	H	H	H	H	X	X	H	H	H	H	H
H	H	L	L	L	L	L	L	X	Q <sub>A0</sub>	Q <sub>B0</sub>	Q <sub>C0</sub>	Q <sub>D0</sub>	Q <sub>E0</sub>
H	H	H	L	H	L	H	L	X	H	Q <sub>B0</sub>	H	Q <sub>D0</sub>	H
H	L	X	X	X	X	X	L	X	Q <sub>A0</sub>	Q <sub>B0</sub>	Q <sub>C0</sub>	Q <sub>D0</sub>	Q <sub>E0</sub>
H	L	X	X	X	X	X	L	X	H	Q <sub>An</sub>	Q <sub>Bn</sub>	Q <sub>Cn</sub>	Q <sub>Dn</sub>
H	L	X	X	X	X	X	↑	L	L	Q <sub>An</sub>	Q <sub>Bn</sub>	Q <sub>Cn</sub>	Q <sub>Dn</sub>

H = HIGH voltage level, (steady state)

L = LOW voltage level (steady state)

X = Irrelevant (any input, including transitions)

↑ = Transition from LOW-to-HIGH level

Q<sub>A0</sub>, Q<sub>B0</sub>, etc = The level of Q<sub>A</sub>, Q<sub>B</sub>, etc, respectively before the indicated steady-state input conditions were established.

Q<sub>An</sub>, Q<sub>Bn</sub>, etc = The level of Q<sub>A</sub>, Q<sub>B</sub>, etc, respectively before the most recent ↑ transition of the clock.

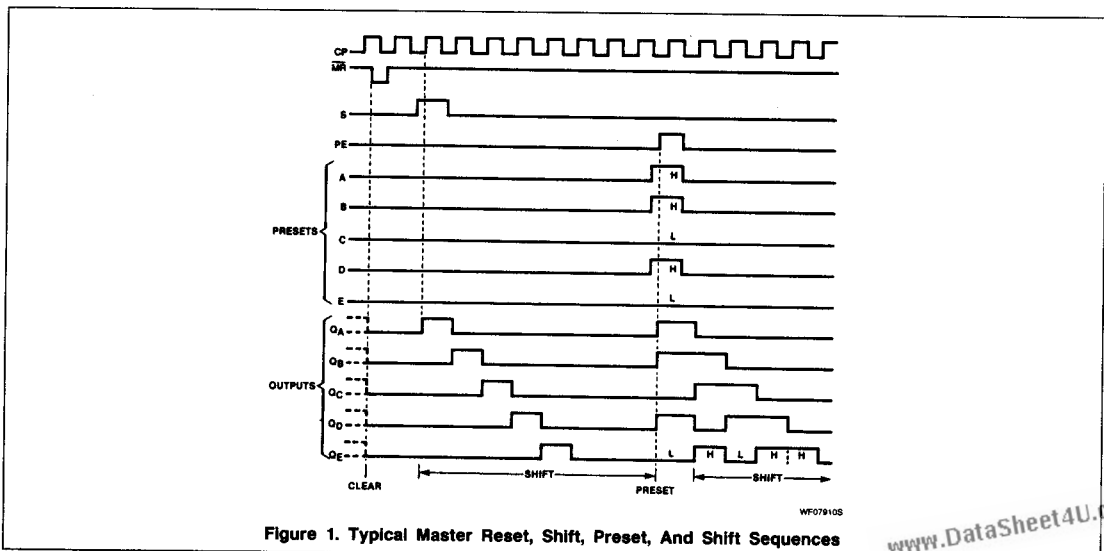


Figure 1. Typical Master Reset, Shift, Preset, And Shift Sequences

www.DataSheet4U.com  
Shift Registers

7496, LS96

**ABSOLUTE MAXIMUM RATINGS** (Over operating free-air temperature range unless otherwise noted.)

PARAMETER		74	74LS	UNIT
V <sub>CC</sub>	Supply voltage	7.0	7.0	V
V <sub>IN</sub>	Input voltage	-0.5 to +5.5	-0.5 to +7.0	V
I <sub>IN</sub>	Input current	-30 to +5	-30 to +1	mA
V <sub>OUT</sub>	Voltage applied to output in HIGH output state	-0.5 to +V <sub>CC</sub>	-0.5 to +V <sub>CC</sub>	V
T <sub>A</sub>	Operating free-air temperature range	0 to 70		°C

**RECOMMENDED OPERATING CONDITIONS**

PARAMETER	74			74LS			UNIT
	Min	Nom	Max	Min	Nom	Max	
V <sub>CC</sub>	4.75	5.0	5.25	4.75	5.0	5.25	V
V <sub>IH</sub>	2.0			2.0			V
V <sub>IL</sub>			+0.8			+0.8	V
I <sub>IK</sub>			-12			-18	mA
I <sub>OH</sub>			-400			-400	μA
I <sub>OL</sub>			16			8	mA
T <sub>A</sub>	0		70	0		70	°C

**DC ELECTRICAL CHARACTERISTICS** (Over recommended operating free-air temperature range unless otherwise noted.)

PARAMETER	TEST CONDITIONS <sup>1</sup>	7496			74LS96			UNIT		
		Min	Typ <sup>2</sup>	Max	Min	Typ <sup>2</sup>	Max			
V <sub>OH</sub>	HIGH-level output voltage	V <sub>CC</sub> = MIN, V <sub>IH</sub> = MIN, V <sub>IL</sub> = MAX, I <sub>OH</sub> = MAX		2.4	3.4		2.7	3.4	V	
V <sub>OL</sub>	LOW-level output voltage	V <sub>CC</sub> = MIN, V <sub>IH</sub> = MIN, V <sub>IL</sub> = MAX			0.2	0.4		0.35	0.5	V
		I <sub>OL</sub> = MAX						0.25	0.4	V
V <sub>IK</sub>	Input clamp voltage	V <sub>CC</sub> = MIN, I <sub>I</sub> = I <sub>IK</sub>				-1.5			-1.5	V
		V <sub>I</sub> = 5.5V				1.0				mA
I <sub>I</sub>	Input current at maximum input voltage	V <sub>CC</sub> = MAX							0.5	mA
		V <sub>I</sub> = 7.0V								0.1
I <sub>IH</sub>	HIGH-level input current	V <sub>CC</sub> = MAX								μA
		V <sub>I</sub> = 2.4V				200				μA
		Other inputs				40				μA
		V <sub>I</sub> = 2.7V								100
I <sub>IL</sub>	LOW-level input current	V <sub>CC</sub> = MAX V <sub>I</sub> = 0.4V							20	μA
		Other inputs								100
I <sub>OS</sub>	Short-circuit output current <sup>3</sup>	V <sub>CC</sub> = MAX		-18		-57	-20		-100	mA
I <sub>CC</sub>	Supply current <sup>4</sup> (total)	V <sub>CC</sub> = MAX			48	79		12	20	mA

**NOTES:**

- For conditions shown as MIN or MAX, use the appropriate value specified under recommended operating conditions for the applicable type.
- All typical values are at V<sub>CC</sub> = 5V, T<sub>A</sub> = 25°C.
- I<sub>OS</sub> is tested with V<sub>OUT</sub> = +0.5V and V<sub>CC</sub> = MAX + 0.5V. Not more than one output should be shorted at a time and duration of the short circuit should not exceed one second.
- Measure I<sub>CC</sub> with Clear grounded and all other inputs and outputs open.

**AC ELECTRICAL CHARACTERISTICS**  $T_A = 25^\circ\text{C}$ ,  $V_{CC} = 5.0\text{V}$ 

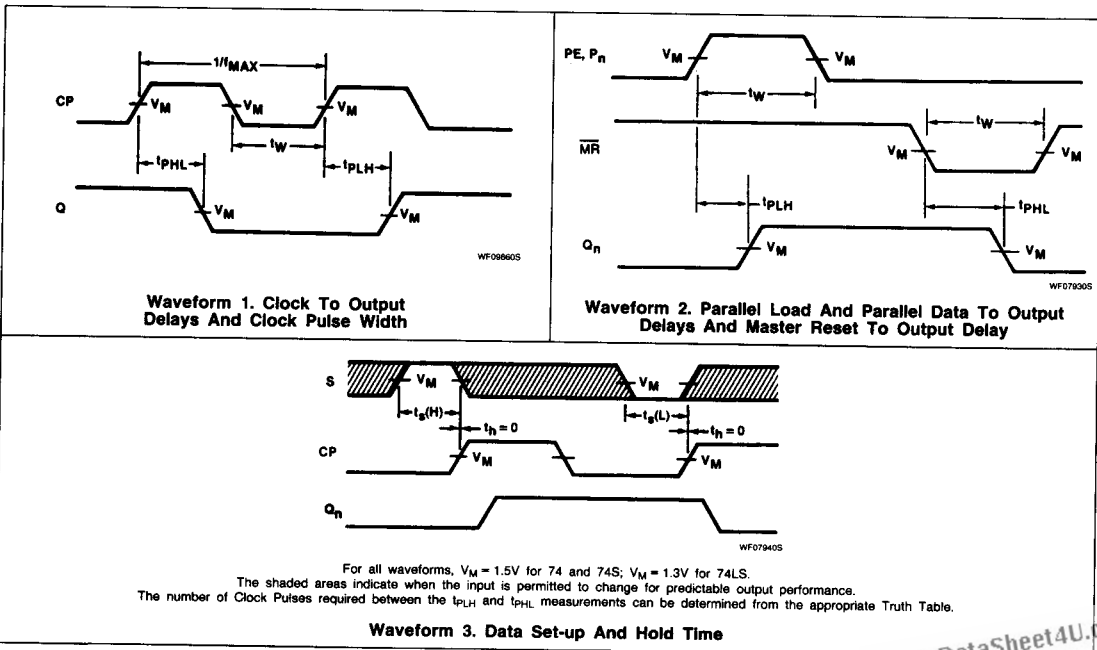
PARAMETER	TEST CONDITIONS	74		74LS		UNIT
		$C_L = 15\text{pF}$ , $R_L = 400\Omega$		$C_L = 15\text{pF}$ , $R_L = 2\text{k}\Omega$		
		Min	Max	Min	Max	
$f_{\text{MAX}}$ Maximum clock frequency	Waveform 1	10		25		MHz
$t_{\text{PLH}}$ Propagation delay $t_{\text{PHL}}$ Clock to output	Waveform 1		40 40		40 40	ns
$t_{\text{PLH}}$ Propagation delay Preset or preset enable to output	Waveform 2		35		35	ns
$t_{\text{PHL}}$ Propagation delay $\overline{\text{MR}}$ to output	Waveform 2		55		55	ns

**NOTE:**

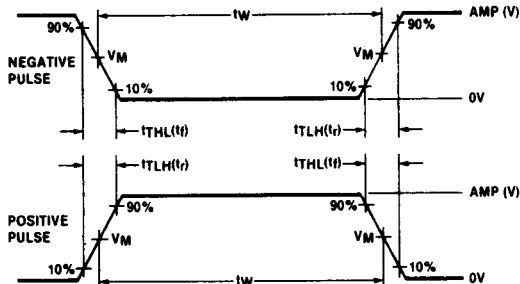
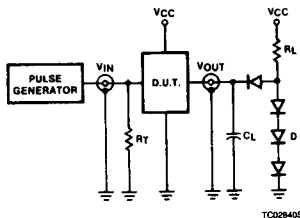
Per industry convention,  $f_{\text{MAX}}$  is the worst case value of the maximum device operating frequency with no constraints on  $t_r$ ,  $t_f$ , pulse width or duty cycle.

**AC SET-UP REQUIREMENTS**  $T_A = 25^\circ\text{C}$ ,  $V_{CC} = 5.0\text{V}$ 

PARAMETER	TEST CONDITIONS	74		74LS		UNIT
		Min	Max	Min	Max	
$t_{\text{W(L)}}$ Clock pulse width, LOW	Waveform 1	35		20		ns
$t_{\text{W(L)}}$ $\overline{\text{MR}}$ pulse width, LOW	Waveform 2	30		30		ns
$t_{\text{W(H)}}$ Preset or preset enable pulse width, HIGH	Waveform 2	30		30		ns
$t_s$ Set-up time, S to CP	Waveform 3	30		30		ns
$t_h$ Hold time, S to CP	Waveform 3	0		0		ns

**AC WAVEFORMS**

**TEST CIRCUITS AND WAVEFORMS**



$V_M = 1.3V$  for 74LS;  $V_M = 1.5V$  for all other TTL families.

**Test Circuit For 74 Totem-Pole Outputs**

**DEFINITIONS**

$R_L$  = Load resistor to  $V_{CC}$ ; see AC CHARACTERISTICS for value.

$C_L$  = Load capacitance includes jig and probe capacitance; see AC CHARACTERISTICS for value.

$R_T$  = Termination resistance should be equal to  $Z_{OUT}$  of Pulse Generators.

D = Diodes are 1N916, 1N3064, or equivalent.

$t_{TLH}$ ,  $t_{THL}$  Values should be less than or equal to the table entries.

**Input Pulse Definition**

FAMILY	INPUT PULSE REQUIREMENTS				
	Amplitude	Rep. Rate	Pulse Width	$t_{TLH}$	$t_{THL}$
74	3.0V	1MHz	500ns	7ns	7ns
74LS	3.0V	1MHz	500ns	15ns	6ns
74S	3.0V	1MHz	500ns	2.5ns	2.5ns