

DATA SHEET

74ABT16501A

74ABTH16501A

18-bit universal bus transceiver (3-State)

Product specification
Supersedes data of 1997 Jun 12
IC23 Data Handbook

1998 Feb 27

18-bit universal bus transceiver (3-State)

74ABT16501A 74ABTH16501A

FEATURES

- 18-bit bidirectional bus interface
- 3-State buffers
- Output capability: +64mA/-32mA
- TTL input and output switching levels
- 74ABTH16501A incorporates bus-hold data inputs which eliminate the need for external pull-up resistors to hold unused inputs
- Live insertion/extraction permitted
- Power-up reset
- Power-up 3-State
- Positive edge-triggered clock inputs
- Latch-up protection exceeds 500mA per JEDEC Std 17
- ESD protection exceeds 2000V per MIL STD 883 Method 3015 and 200V per Machine Model
- Flexible operation permits 18 embedded D-type latches or flip-flops to operate in clocked, transparent, and latched modes.

DESCRIPTION

The 74ABT16501A high-performance BiCMOS device combines low static and dynamic power dissipation with high speed and high output drive.

This device is an 18-bit universal transceiver featuring non-inverting 3-State bus compatible outputs in both send and receive directions. Data flow in each direction is controlled by output enable (OEAB and OEBA), latch enable (LEAB and LEBA), and clock (CPAB and CPBA) inputs. For A-to-B data flow, the device operates in the transparent mode when LEAB is High. When LEAB is Low, the A data is latched if CPAB is held at a High or Low logic level. If LEAB is Low, the A-bus data is stored in the latch/flip-flop on the Low-to-High transition of CPAB. When OEAB is High, the outputs are active. When OEAB is Low, the outputs are in the high-impedance state.

Data flow for B-to-A is similar to that of A-to-B but uses OEBA, LEBA and CPBA. The output enables are complimentary (OEAB is active High, and OEBA is active Low).

Active bus-hold circuitry is provided to hold unused or floating data inputs at a valid logic level.

Two options are available, 74ABT16501A which does not have the bus-hold feature and 74ABTH16501A which incorporates the bus-hold feature.

QUICK REFERENCE DATA

SYMBOL	PARAMETER	CONDITIONS $T_{amb} = 25^{\circ}\text{C}; \text{GND} = 0\text{V}$	TYPICAL	UNIT
t_{PLH} t_{PHL}	Propagation delay An to Bn or Bn to An	$C_L = 50\text{pF};$ $V_{CC} = 5\text{V}$	2.2 1.8	ns
C_{IN}	Input capacitance (Control pins)	$V_I = 0\text{V}$ or V_{CC}	3	pF
$C_{I/O}$	I/O pin capacitance	Outputs disabled; $V_{I/O} = 0\text{V}$ or V_{CC}	7	pF
I_{CCZ}	Quiescent supply current	Outputs disabled; $V_{CC} = 5.5\text{V}$	500	μA
I_{CCL}		Outputs low; $V_{CC} = 5.5\text{V}$	9	mA

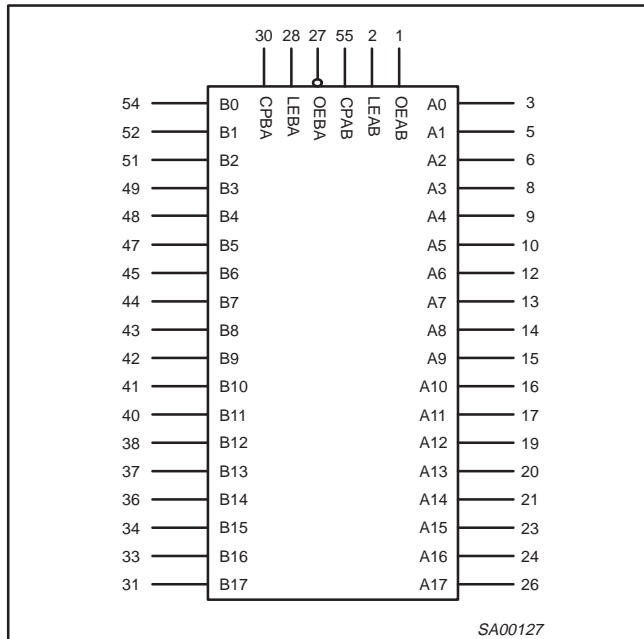
ORDERING INFORMATION

PACKAGES	TEMPERATURE RANGE	OUTSIDE NORTH AMERICA	NORTH AMERICA	DWG NUMBER
56-Pin Plastic SSOP Type III	-40°C to +85°C	74ABT16501A DL	BT16501A DL	SOT371-1
56-Pin Plastic TSSOP Type II	-40°C to +85°C	74ABT16501A DGG	BT16501A DGG	SOT364-1
56-Pin Plastic SSOP Type III	-40°C to +85°C	74ABTH16501A DL	BH16501A DL	SOT371-1
56-Pin Plastic TSSOP Type II	-40°C to +85°C	74ABTH16501A DGG	BH16501A DGG	SOT364-1

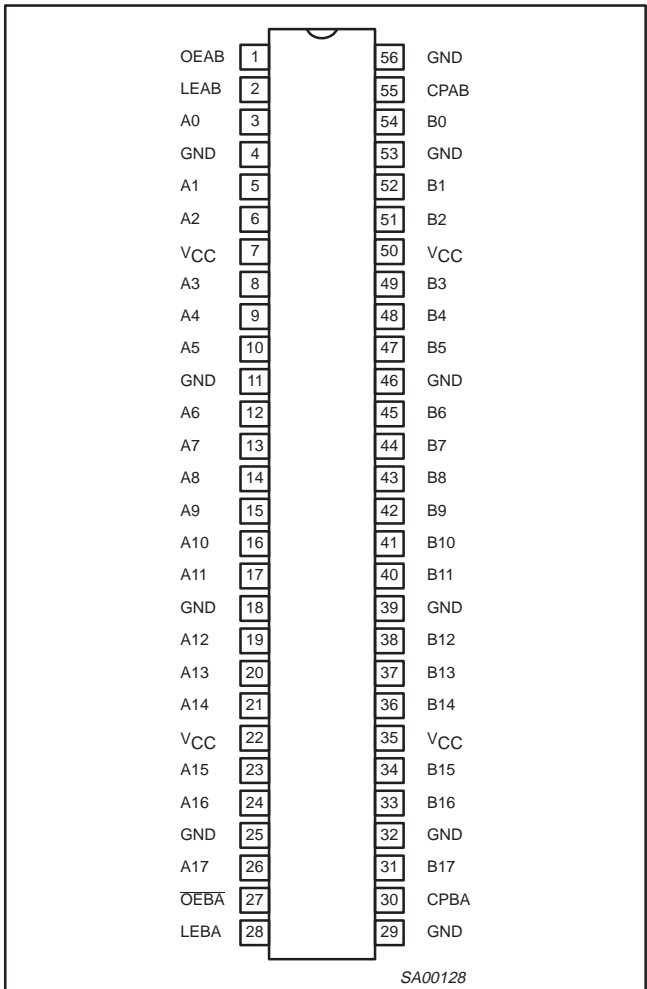
18-bit universal bus transceiver (3-State)

74ABT16501A
74ABTH16501A

LOGIC SYMBOL



PIN CONFIGURATION



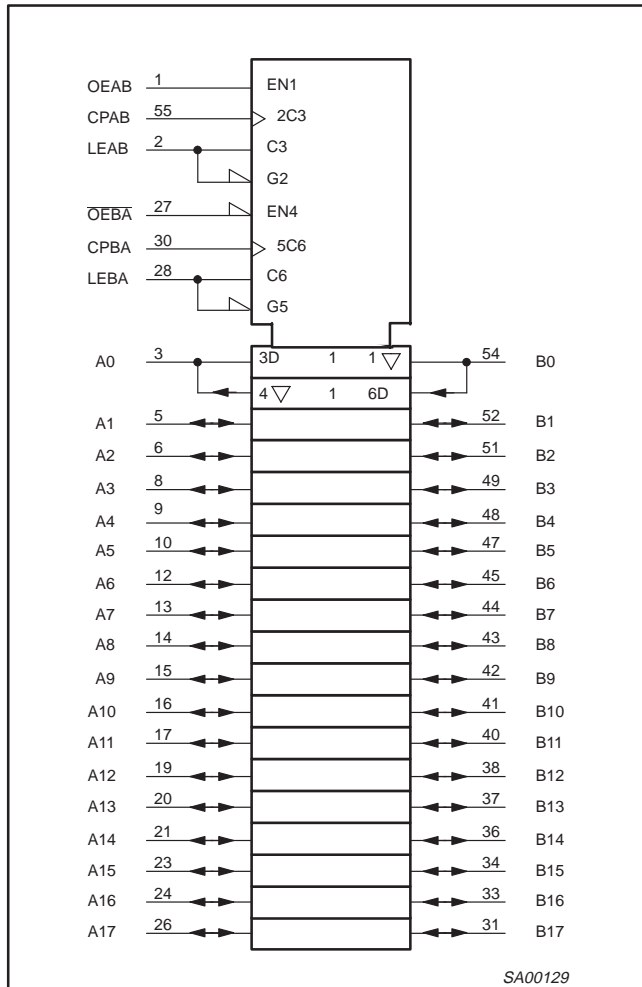
PIN DESCRIPTION

PIN NUMBER	SYMBOL	NAME AND FUNCTION
1	OEAB	A-to-B Output enable input
27	\overline{OEBA}	B-to-A Output enable input (active low)
2, 28	LEAB/LEBA	A-to-B/B-to-A Latch enable input
55, 30	CPAB/CPBA	A-to-B/B-to-A Clock input (active rising edge)
3, 5, 6, 8, 9, 10, 12, 13, 14, 15, 16, 17, 19, 20, 21, 23, 24, 26	A0-A17	Data inputs/outputs (A side)
54, 52, 51, 49, 48, 47, 45, 44, 43, 42, 41, 40, 38, 37, 36, 34, 33, 31	B0-B17	Data inputs/outputs (B side)
4, 11, 18, 25, 32, 39, 46, 53	GND	Ground (0V)
7, 22, 35, 50	V _{CC}	Positive supply voltage

18-bit universal bus transceiver (3-State)

74ABT16501A
74ABTH16501A

LOGIC SYMBOL (IEEE/IEC)



18-bit universal bus transceiver (3-State)

74ABT16501A
74ABTH16501A

FUNCTION TABLE

INPUTS				Internal Registers	OUTPUTS	OPERATING MODE
OEAB	LEAB	CPAB	An		Bn	
L	H	X	X	X	Z	Disabled
L	↓	X	h	H	Z	Disabled, Latch data
L	↓	X	l	L	Z	
L	L	H or L	X	NC	Z	Disabled, Hold data
L	L	↑	h	H	Z	Disabled, Clock data
L	L	↑	l	L	Z	
H	H	X	H	H	H	Transparent
H	H	X	L	L	L	
H	↓	X	h	H	H	Latch data & display
H	↓	X	l	L	L	
H	L	↑	h	H	H	Clock data & display
H	L	↑	l	L	L	
H	L	H or L	X	H	H	Hold data & display
H	L	H or L	X	L	L	

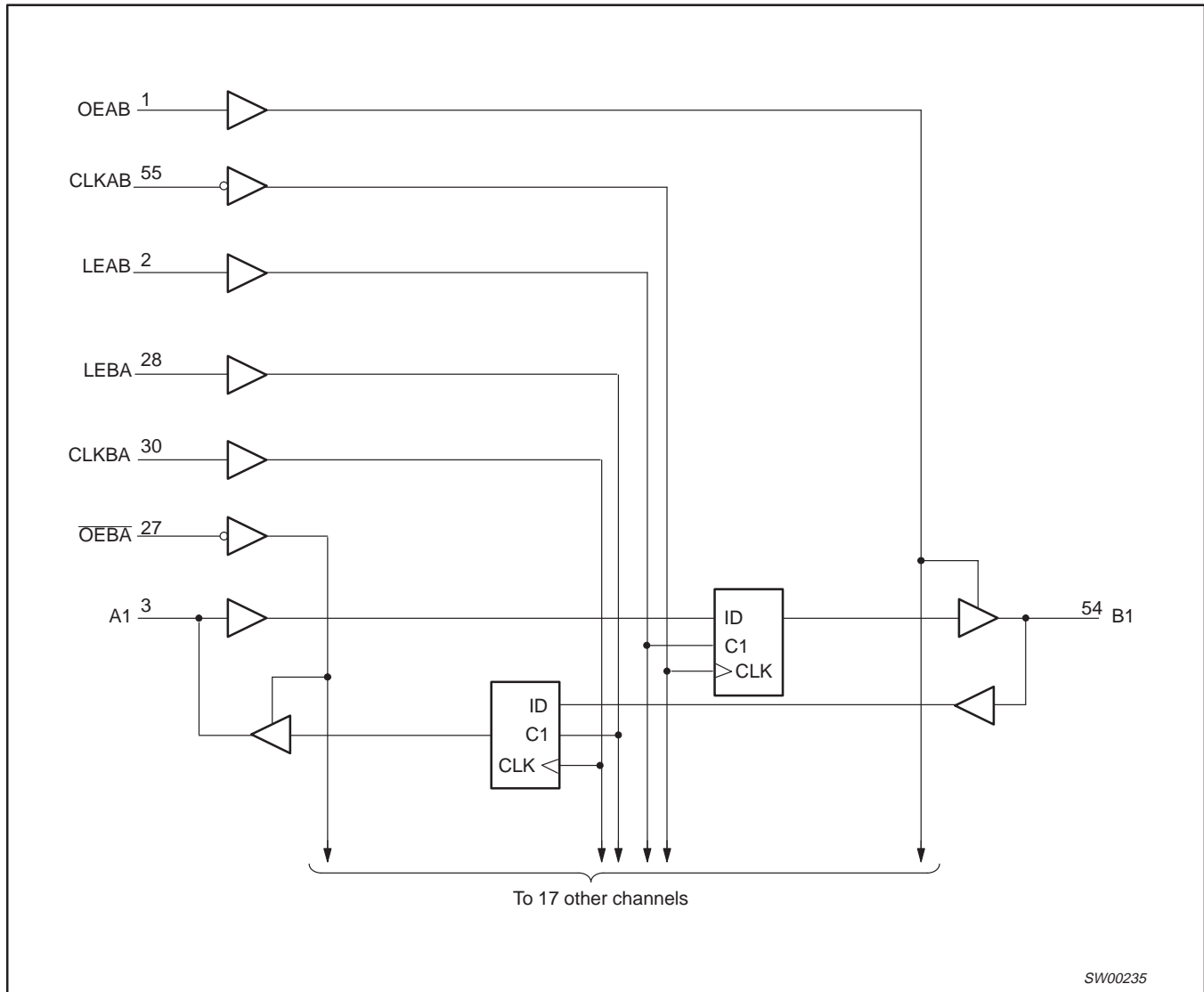
NOTE: A-to-B data flow is shown; B-to-A flow is similar but uses OEBA, LEBA, and CPBA.

- H = High voltage level
- h = High voltage level one set-up time prior to the Enable or Clock transition
- L = Low voltage level
- l = Low voltage level one set-up time prior to the Enable or Clock transition
- NC= No Change
- X = Don't care
- Z = High Impedance "off" state
- ↓ = High-to-Low Enable or Clock transition
- ↑ = Low-to-High Clock transition

18-bit universal bus transceiver (3-State)

74ABT16501A
74ABTH16501A

LOGIC DIAGRAM



SW00235

18-bit universal bus transceiver (3-State)

74ABT16501A
74ABTH16501A**ABSOLUTE MAXIMUM RATINGS^{1, 2}**

SYMBOL	PARAMETER	CONDITIONS	RATING	UNIT
V _{CC}	DC supply voltage		-0.5 to +7.0	V
I _{IK}	DC input diode current	V _I < 0	-18	mA
V _I	DC input voltage ³		-1.2 to +7.0	V
I _{OK}	DC output diode current	V _O < 0	-50	mA
V _{OUT}	DC output voltage ³	Output in Off or High state	-0.5 to +5.5	V
I _{OUT}	DC output current	Output in Low state	128	mA
		Output in High state	-64	
T _{stg}	Storage temperature range		-65 to +150	°C

NOTES:

- Stresses beyond those listed may cause permanent damage to the device. These are stress ratings only and functional operation of the device at these or any other conditions beyond those indicated under "recommended operating conditions" is not implied. Exposure to absolute-maximum-rated conditions for extended periods may affect device reliability.
- The performance capability of a high-performance integrated circuit in conjunction with its thermal environment can create junction temperatures which are detrimental to reliability. The maximum junction temperature of this integrated circuit should not exceed 150°C.
- The input and output negative voltage ratings may be exceeded if the input and output clamp current ratings are observed.

RECOMMENDED OPERATING CONDITIONS

SYMBOL	PARAMETER	LIMITS		UNIT
		MIN	MAX	
V _{CC}	DC supply voltage	4.5	5.5	V
V _I	Input voltage	0	V _{CC}	V
V _{IH}	High-level input voltage	2.0		V
V _{IL}	Input voltage		0.8	V
I _{OH}	High-level output current		-32	mA
I _{OL}	Low-level output current		64	mA
Δt/Δv	Input transition rise or fall rate; Outputs enabled		10	ns/V
T _{amb}	Operating free-air temperature range	-40	+85	°C

18-bit universal bus transceiver (3-State)

74ABT16501A
74ABTH16501A

DC ELECTRICAL CHARACTERISTICS

SYMBOL	PARAMETER	TEST CONDITIONS	LIMITS					UNIT	
			T _{amb} = +25°C			T _{amb} = -40°C to +85°C			
			MIN	TYP	MAX	MIN	MAX		
V _{IK}	Input clamp voltage	V _{CC} = 4.5V; I _{IK} = -18mA		-0.8	-1.2		-1.2	V	
V _{OH}	High-level output voltage	V _{CC} = 4.5V; I _{OH} = -3mA; V _I = V _{IL} or V _{IH}	2.5	2.9		2.5		V	
		V _{CC} = 5.0V; I _{OH} = -3mA; V _I = V _{IL} or V _{IH}	3.0	4.0		3.0		V	
		V _{CC} = 4.5V; I _{OH} = -32mA; V _I = V _{IL} or V _{IH}	2.0	2.4		2.0		V	
V _{OL}	Low-level output voltage	V _{CC} = 4.5V; I _{OL} = 64mA; V _I = V _{IL} or V _{IH}		0.35	0.55		0.55	V	
V _{RST}	Power-up output voltage ³	V _{CC} = 5.5V; I _O = 1mA; V _I = GND or V _{CC}		0.13	0.55		0.55	V	
I _I	Input leakage current	V _{CC} = 5.5V; V _I = GND or 5.5V	Control pins		±0.01	±1.0		±1.0	μA
I _{HOLD}	Bus Hold current A and B ports ⁵ 74ABTH16501A	V _{CC} = 4.5V; V _I = 0.8V		35			35		μA
		V _{CC} = 4.5V; V _I = 2.0V		-75			-75		
		V _{CC} = 5.5V; V _I = 0 to 5.5V		±800					
I _{OFF}	Power-off leakage current	V _{CC} = 0.0V; V _O or V _I ≤ 4.5V		±2	±100		±100	μA	
I _{PU/PD}	Power-up/down 3-State output current ⁴	V _{CC} = 2.1V; V _O = 0.0V or V _{CC} ; V _I = GND or V _{CC} ; V _{OE} = Don't care		±2	±50		±50	μA	
I _{IH} + I _{OZH}	3-State output High current	V _{CC} = 5.5V; V _O = 5.5V; V _I = V _{IL} or V _{IH}		1.0	10		10	μA	
I _{IL} + I _{OZL}	3-State output Low current	V _{CC} = 5.5V; V _O = 0.0V; V _I = V _{IL} or V _{IH}		-1.0	-10		-10	μA	
I _{CEX}	Output High leakage current	V _{CC} = 5.5V; V _O = 5.5V; V _I = GND or V _{CC}		2.0	50		50	μA	
I _O	Output current ¹	V _{CC} = 5.5V; V _O = 2.5V		-50	-80	-180	-50	-180	mA
I _{CCH}	Quiescent supply current	V _{CC} = 5.5V; Outputs High, V _I = GND or V _{CC}		0.5	2		2	mA	
I _{CCL}		V _{CC} = 5.5V; Outputs Low, V _I = GND or V _{CC}		9	19		19	mA	
I _{CCZ}		V _{CC} = 5.5V; Outputs 3-State; V _I = GND or V _{CC}		0.5	2		2	mA	
ΔI _{CC}	Additional supply current per input pin ² 74ABT16501A	V _{CC} = 5.5V; one input at 3.4V, other inputs at V _{CC} or GND		5.0	50		50	μA	
ΔI _{CC}	Additional supply current per input pin ² 74ABTH16501A	V _{CC} = 5.5V; one input at 3.4V, other inputs at V _{CC} or GND		200	500		500	μA	

NOTES:

- Not more than one output should be tested at a time, and the duration of the test should not exceed one second.
- This is the increase in supply current for each input at 3.4V.
- For valid test results, data must not be loaded into the flip-flops (or latches) after applying the power.
- This parameter is valid for any V_{CC} between 0V and 2.1V, with a transition time of up to 10msec. From V_{CC} = 2.1V to V_{CC} = 5V ± 10% a transition time of up to 100μsec is permitted.
- This is the bus hold overdrive current required to force the input to the opposite logic state.

18-bit universal bus transceiver (3-State)

74ABT16501A
74ABTH16501A

AC CHARACTERISTICS

GND = 0V, $t_R = t_F = 2.5\text{ns}$, $C_L = 50\text{pF}$, $R_L = 500\Omega$

SYMBOL	PARAMETER	WAVEFORM	LIMITS					UNIT
			$T_{\text{amb}} = +25^\circ\text{C}$ $V_{\text{CC}} = +5.0\text{V}$			$T_{\text{amb}} = -40 \text{ to } +85^\circ\text{C}$ $V_{\text{CC}} = +5.0\text{V} \pm 0.5\text{V}$		
			MIN	TYP	MAX	MIN	MAX	
f_{max}	Maximum clock frequency	1	150	225		150		MHz
t_{PLH} t_{PHL}	Propagation delay An to Bn or Bn to An	2	1.0 1.0	2.2 1.8	3.0 2.5	1.0 1.0	3.5 3.0	ns
t_{PLH} t_{PHL}	Propagation delay LEAB to Bn or LEBA to An	3	1.5 1.4	3.2 2.9	4.3 3.8	1.5 1.4	5.0 4.2	ns
t_{PLH} t_{PHL}	Propagation delay CPAB to Bn or CPBA to An	1	1.6 1.4	3.5 2.9	4.5 3.8	1.6 1.4	5.0 4.2	ns
t_{PZH} t_{PZL}	Output enable time to HIGH and LOW level	5 6	1.1 1.0	3.0 2.4	4.0 3.4	1.1 1.0	4.7 3.9	ns
t_{PHZ} t_{PLZ}	Output disable time from HIGH and LOW level	5 6	1.3 1.0	3.3 2.4	4.3 3.4	1.3 1.0	5.3 3.9	ns

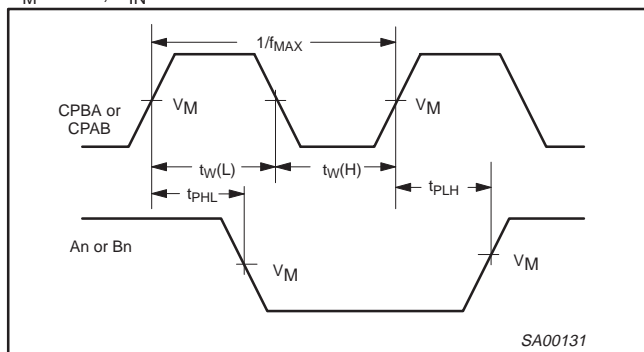
AC SETUP REQUIREMENTS

GND = 0V, $t_R = t_F = 2.5\text{ns}$, $C_L = 50\text{pF}$, $R_L = 500\Omega$

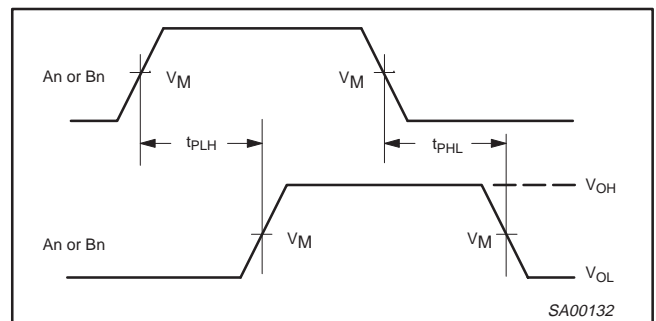
SYMBOL	PARAMETER	WAVEFORM	LIMITS			UNIT
			$T_{\text{amb}} = +25^\circ\text{C}$ $V_{\text{CC}} = +5.0\text{V}$		$T_{\text{amb}} = -40 \text{ to } +85^\circ\text{C}$ $V_{\text{CC}} = +5.0\text{V} \pm 0.5\text{V}$	
			MIN	TYP	MIN	
$t_s(\text{H})$ $t_s(\text{L})$	Setup time, HIGH or LOW An to CPAB or Bn to CPBA	4	2.0 2.0	0.5 0.5	2.0 2.0	ns
$t_h(\text{H})$ $t_h(\text{L})$	Hold time, HIGH or LOW An to CPAB or Bn to CPBA	4	0.7 0.7	-0.5 -0.5	0.7 0.7	ns
$t_s(\text{H})$ $t_s(\text{L})$	Setup time, HIGH or LOW An to LEAB or Bn to LEBA	4	2.0 2.0	0.5 0.4	2.0 2.0	ns
$t_h(\text{H})$ $t_h(\text{L})$	Hold time HIGH or LOW An to LEAB or Bn to LEBA	4	0.7 0.7	-0.4 -0.5	0.7 0.7	ns
t_w	Pulse width, HIGH or LOW CPAB or CPBA	1	3	1.9	3	ns
$t_w(\text{H})$	Pulse width, HIGH LEAB or LEBA	3	3	1.2	3	ns

AC WAVEFORMS

$V_M = 1.5\text{V}$, $V_{\text{IN}} = \text{GND to } 3.0\text{V}$



Waveform 1. Propagation Delay, Clock Input to Output, Clock Pulse Width, and Maximum Clock Frequency



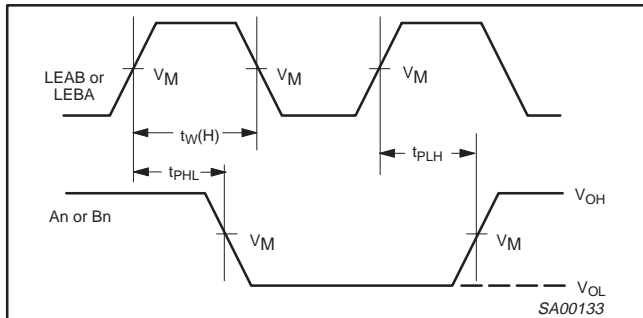
Waveform 2. Propagation Delay, Transparent Mode

18-bit universal bus transceiver (3-State)

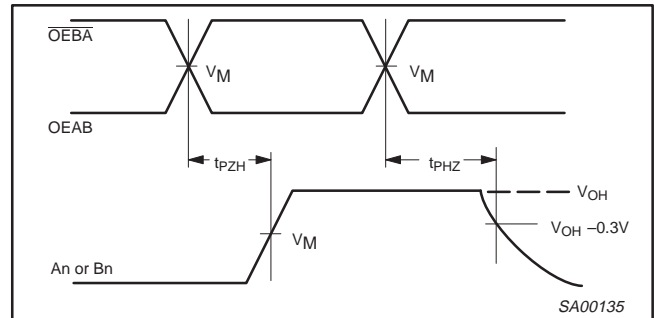
74ABT16501A
74ABTH16501A

AC WAVEFORMS (Continued)

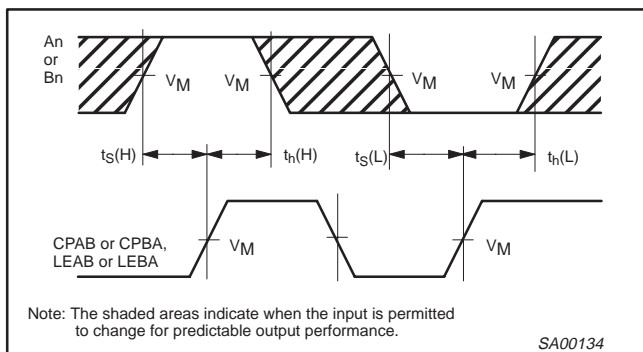
$V_M = 1.5V$, $V_{IN} = GND$ to $3.0V$



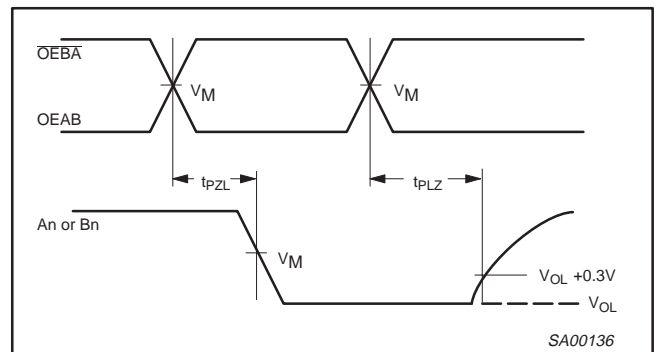
Waveform 3. Propagation Delay, Enable to Output, and Enable Pulse Width



Waveform 5. 3-State Output Enable Time to High Level and Output Disable Time from High Level



Waveform 4. Data Setup and Hold Times



Waveform 6. 3-State Output Enable Time to Low Level and Output Disable Time from Low Level

TEST CIRCUIT AND WAVEFORMS

Test Circuit for 3-State Outputs

Input Pulse Definition

$V_M = 1.5V$

SWITCH POSITION

TEST	SWITCH
t_{pLZ}	closed
t_{pZL}	closed
All other	open

DEFINITIONS

R_L = Load resistor; see AC CHARACTERISTICS for value.

C_L = Load capacitance includes jig and probe capacitance; see AC CHARACTERISTICS for value.

R_T = Termination resistance should be equal to Z_{OUT} of pulse generators.

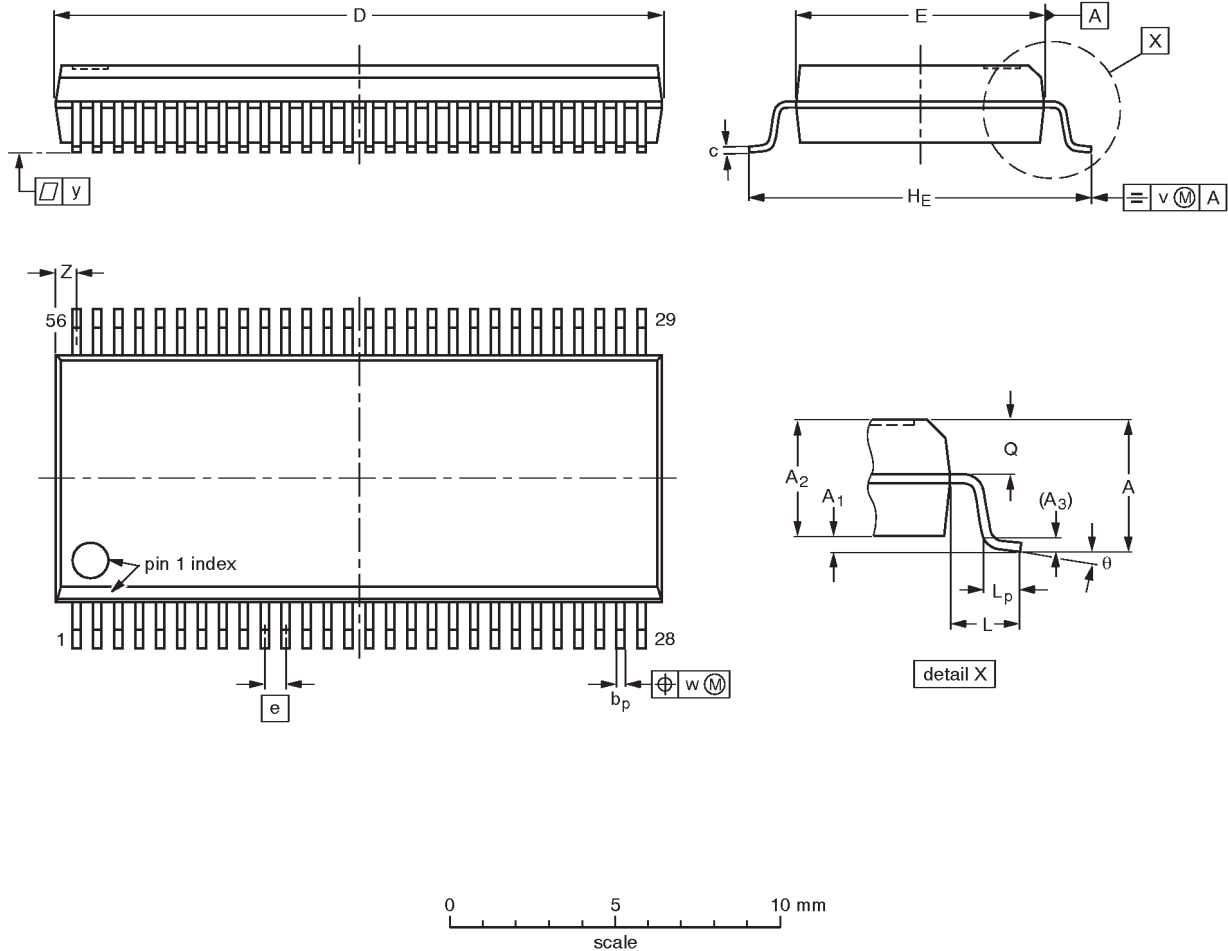
FAMILY	INPUT PULSE REQUIREMENTS				
	Amplitude	Rep. Rate	t_w	t_r	t_f
74ABT/H16	3.0V	1MHz	500ns	2.5ns	2.5ns

18-bit universal bus transceiver (3-State)

74ABT16501A
74ABTH16501A

SSOP56: plastic shrink small outline package; 56 leads; body width 7.5 mm

SOT371-1



DIMENSIONS (mm are the original dimensions)

UNIT	A max.	A ₁	A ₂	A ₃	b _p	c	D ⁽¹⁾	E ⁽¹⁾	e	H _E	L	L _p	Q	v	w	y	Z ⁽¹⁾	θ
mm	2.8	0.4 0.2	2.35 2.20	0.25	0.3 0.2	0.22 0.13	18.55 18.30	7.6 7.4	0.635	10.4 10.1	1.4	1.0 0.6	1.2 1.0	0.25	0.18	0.1	0.85 0.40	8° 0°

Note

1. Plastic or metal protrusions of 0.25 mm maximum per side are not included.

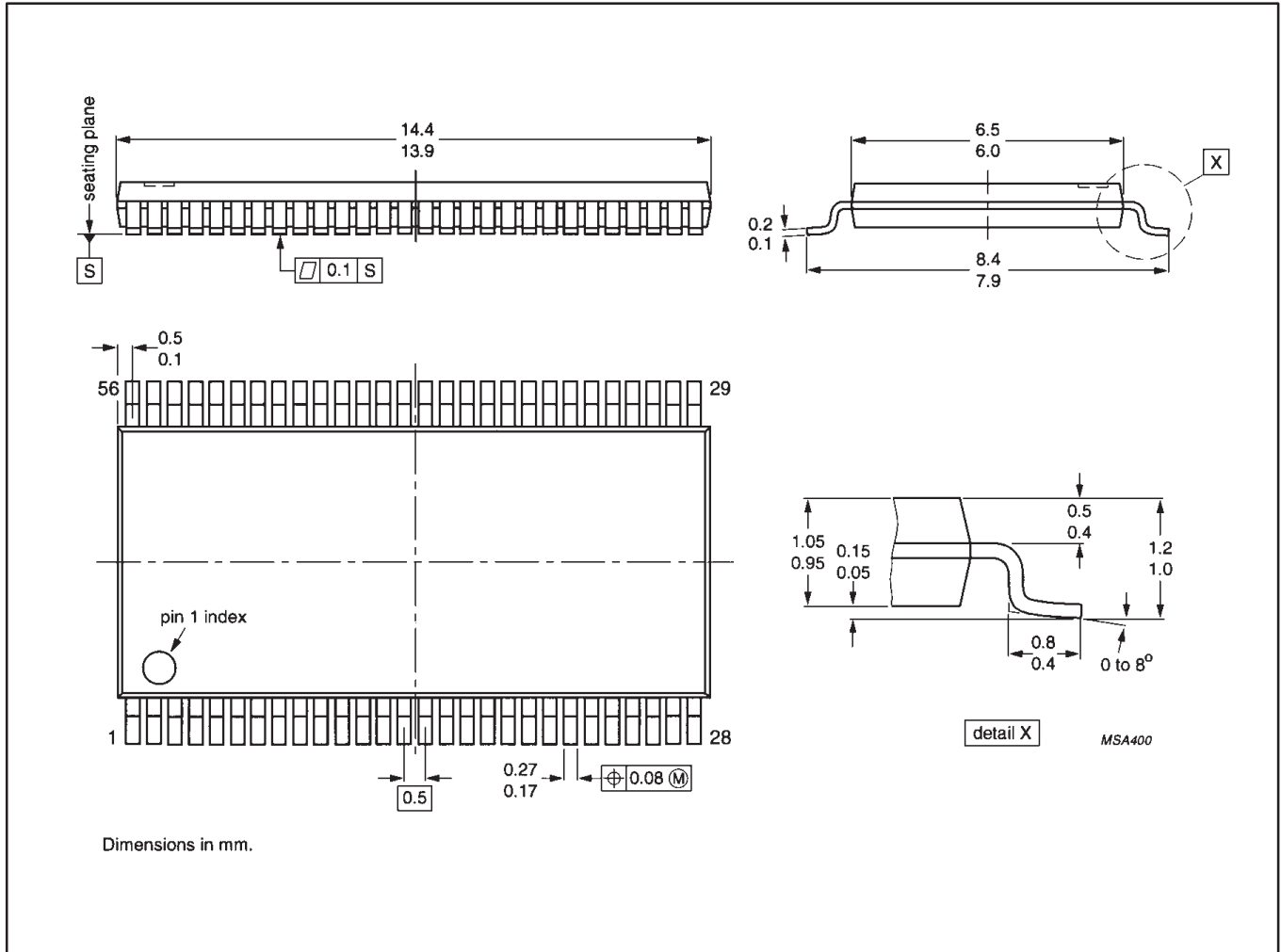
OUTLINE VERSION	REFERENCES				EUROPEAN PROJECTION	ISSUE DATE
	IEC	JEDEC	EIAJ			
SOT371-1		MO-118AB				93-11-02 95-02-04

18-bit universal bus transceiver (3-State)

74ABT16501A 74ABTH16501A

TSSOP56: plastic thin shrink small outline package; 56 leads; body width 6.1mm

SOT364-1



74ABT16501A

74ABTH16501A

Data sheet status

Data sheet status	Product status	Definition [1]
Objective specification	Development	This data sheet contains the design target or goal specifications for product development. Specification may change in any manner without notice.
Preliminary specification	Qualification	This data sheet contains preliminary data, and supplementary data will be published at a later date. Philips Semiconductors reserves the right to make changes at any time without notice in order to improve design and supply the best possible product.
Product specification	Production	This data sheet contains final specifications. Philips Semiconductors reserves the right to make changes at any time without notice in order to improve design and supply the best possible product.

[1] Please consult the most recently issued datasheet before initiating or completing a design.

Definitions

Short-form specification — The data in a short-form specification is extracted from a full data sheet with the same type number and title. For detailed information see the relevant data sheet or data handbook.

Limiting values definition — Limiting values given are in accordance with the Absolute Maximum Rating System (IEC 134). Stress above one or more of the limiting values may cause permanent damage to the device. These are stress ratings only and operation of the device at these or at any other conditions above those given in the Characteristics sections of the specification is not implied. Exposure to limiting values for extended periods may affect device reliability.

Application information — Applications that are described herein for any of these products are for illustrative purposes only. Philips Semiconductors make no representation or warranty that such applications will be suitable for the specified use without further testing or modification.

Disclaimers

Life support — These products are not designed for use in life support appliances, devices or systems where malfunction of these products can reasonably be expected to result in personal injury. Philips Semiconductors customers using or selling these products for use in such applications do so at their own risk and agree to fully indemnify Philips Semiconductors for any damages resulting from such application.

Right to make changes — Philips Semiconductors reserves the right to make changes, without notice, in the products, including circuits, standard cells, and/or software, described or contained herein in order to improve design and/or performance. Philips Semiconductors assumes no responsibility or liability for the use of any of these products, conveys no license or title under any patent, copyright, or mask work right to these products, and makes no representations or warranties that these products are free from patent, copyright, or mask work right infringement, unless otherwise specified.

Philips Semiconductors
811 East Arques Avenue
P.O. Box 3409
Sunnyvale, California 94088-3409
Telephone 800-234-7381

© Copyright Philips Electronics North America Corporation 1998
All rights reserved. Printed in U.S.A.

print code

Date of release: 05-96

Document order number:

9397-750-03494

Let's make things better.