

DATA SHEET

74ABT843

9-bit interface latch with set and reset
(3-State)

Product specification
Supersedes data of 1995 Sep 06
IC23 Data Handbook

1998 Jan 16

9-bit bus interface latch with set and reset (3-State)

74ABT843

FEATURES

- High speed parallel latches
- Extra data width for wide address/data paths or buses carrying parity
- Ideal where high speed, light loading, or increased fan-in are required with MOS microprocessors
- Slim DIP 300 mil package
- Broadside pinout
- Output capability: +64mA/-32mA
- Latch-up protection exceeds 500mA per Jedec Std 17
- ESD protection exceeds 2000V per MIL STD 883 Method 3015 and 200V per Machine Model
- Power-up 3-State
- Power-up reset

DESCRIPTION

The 74ABT843 Bus interface latch is designed to eliminate the extra packages required to buffer existing registers and provide extra data width for wider data/address paths of buses carrying parity.

The 74ABT843 consists of nine D-type latches with 3-State outputs. In addition to the LE and \overline{OE} pins, it has a Master Reset (\overline{MR}) pin and Preset (\overline{PRE}) pin. These pins are ideal for parity bus interfacing in high performance systems. When \overline{MR} is Low, the outputs are Low if \overline{OE} is Low. When \overline{MR} is High, data can be entered into the latch. When \overline{PRE} is Low, the outputs are High, if \overline{OE} is Low. \overline{PRE} overrides \overline{MR} .

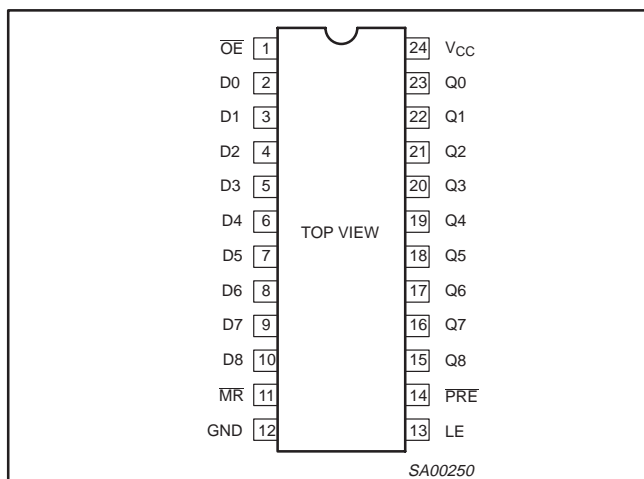
QUICK REFERENCE DATA

SYMBOL	PARAMETER	CONDITIONS $T_{amb} = 25^{\circ}\text{C}; \text{GND} = 0\text{V}$	TYPICAL	UNIT
t_{PLH} t_{PHL}	Propagation delay Dn to Qn	$C_L = 50\text{pF}; V_{CC} = 5\text{V}$	5.0	ns
C_{IN}	Input capacitance	$V_I = 0\text{V}$ or V_{CC}	4	pF
C_{OUT}	Output capacitance	Outputs disabled; $V_O = 0\text{V}$ or V_{CC}	7	pF
I_{CCZ}	Total supply current	Outputs disabled; $V_{CC} = 5.5\text{V}$	500	nA

ORDERING INFORMATION

PACKAGES	TEMPERATURE RANGE	OUTSIDE NORTH AMERICA	NORTH AMERICA	DWG NUMBER
24-Pin Plastic DIP	-40°C to +85°C	74ABT843 N	74ABT843 N	SOT222-1
24-Pin plastic SO	-40°C to +85°C	74ABT843 D	74ABT843 D	SOT137-1
24-Pin Plastic SSOP Type II	-40°C to +85°C	74ABT843 DB	74ABT843 DB	SOT340-1
24-Pin Plastic TSSOP Type I	-40°C to +85°C	74ABT843 PW	74ABT843PW DH	SOT355-1

PIN CONFIGURATION



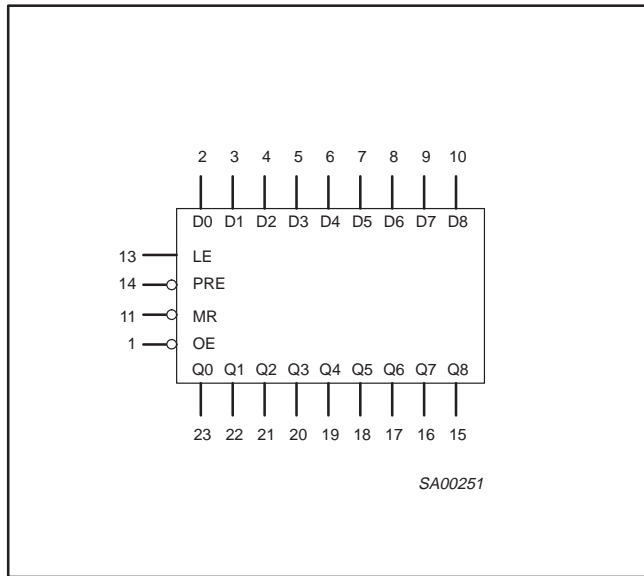
PIN DESCRIPTION

PIN NUMBER	SYMBOL	FUNCTION
1	\overline{OE}	Output enable input (active-Low)
2, 3, 4, 5, 6, 7, 8, 9, 10	D0-D8	Data inputs
23, 22, 21, 20, 19, 18, 17, 16, 15	Q0-Q8	Data outputs
11	\overline{MR}	Master reset input (active-Low)
13	LE	Latch enable input (active rising edge)
14	\overline{PRE}	Preset input (active-Low)
12	GND	Ground (0V)
24	V_{CC}	Positive supply voltage

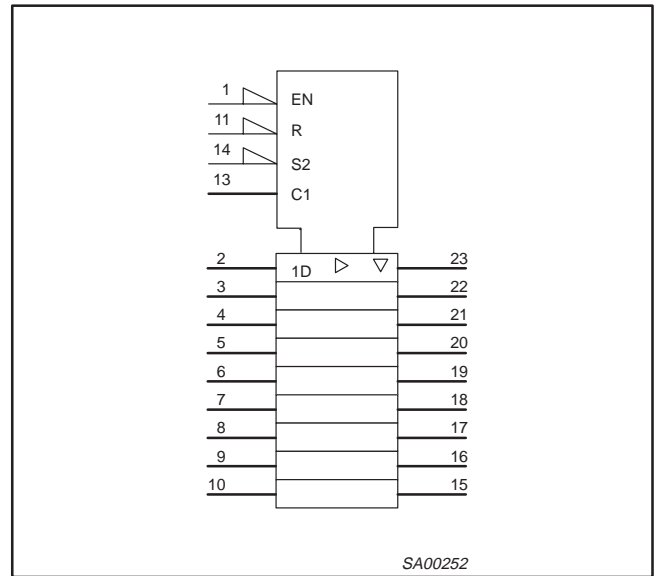
9-bit bus interface latch with set and reset (3-State)

74ABT843

LOGIC SYMBOL



LOGIC SYMBOL (IEEE/IEC)



FUNCTION TABLE

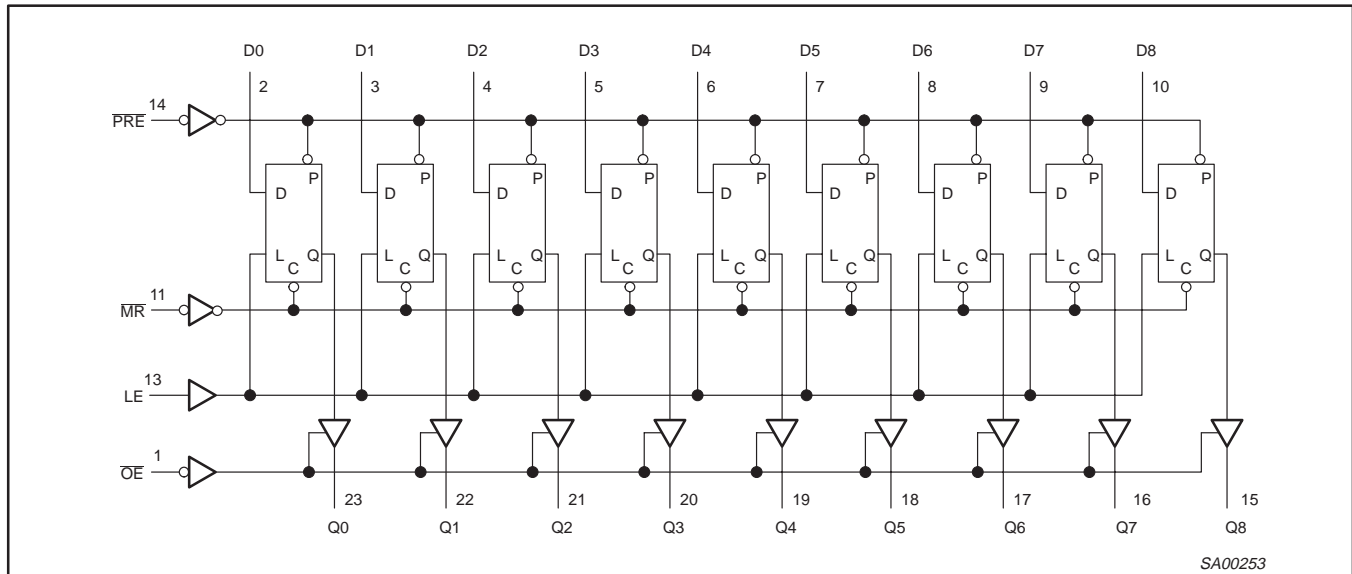
INPUTS				OUTPUTS		OPERATING MODE
OE	PRE	MR	LE	Dn	Qn	
L	L	X	X	X	H	Preset
L	H	L	X	X	L	Clear
L	H	H	H	L	L	Transparent
L	H	H	H	H	H	
L	H	H	↓	l	L	Latched
L	H	H	↓	h	H	
H	X	X	X	X	Z	High impedance
L	H	H	L	X	NC	Hold

- H = High voltage level
- h = High voltage level one set-up time prior to the High-to-Low LE transition
- L = Low voltage level
- l = Low voltage level one set-up time prior to the High-to-Low LE transition
- NC= No change
- X = Don't care
- Z = High impedance "off" state
- ↓ = High-to-Low transition

9-bit bus interface latch with set and reset (3-State)

74ABT843

LOGIC DIAGRAM



ABSOLUTE MAXIMUM RATINGS^{1, 2}

SYMBOL	PARAMETER	CONDITIONS	RATING	UNIT
V_{CC}	DC supply voltage		-0.5 to +7.0	V
I_{IK}	DC input diode current	$V_I < 0$	-18	mA
V_I	DC input voltage ³		-1.2 to +7.0	V
I_{OK}	DC output diode current	$V_O < 0$	-50	mA
V_{OUT}	DC output voltage ³	output in Off or High state	-0.5 to +5.5	V
I_{OUT}	DC output current	output in Low state	128	mA
T_{stg}	Storage temperature range		-65 to 150	°C

NOTES:

- Stresses beyond those listed may cause permanent damage to the device. These are stress ratings only and functional operation of the device at these or any other conditions beyond those indicated under "recommended operating conditions" is not implied. Exposure to absolute-maximum-rated conditions for extended periods may affect device reliability.
- The performance capability of a high-performance integrated circuit in conjunction with its thermal environment can create junction temperatures which are detrimental to reliability. The maximum junction temperature of this integrated circuit should not exceed 150°C.
- The input and output voltage ratings may be exceeded if the input and output current ratings are observed.

9-bit bus interface latch with set and reset (3-State)

74ABT843

RECOMMENDED OPERATING CONDITIONS

SYMBOL	PARAMETER	LIMITS		UNIT
		Min	Max	
V_{CC}	DC supply voltage	4.5	5.5	V
V_I	Input voltage	0	V_{CC}	V
V_{IH}	High-level input voltage	2.0		V
V_{IL}	Low-level input voltage		0.8	V
I_{OH}	High-level output current		-32	mA
I_{OL}	Low-level output current		64	mA
$\Delta t/\Delta v$	Input transition rise or fall rate	0	10	ns/V
T_{amb}	Operating free-air temperature range	-40	+85	°C

DC ELECTRICAL CHARACTERISTICS

SYMBOL	PARAMETER	TEST CONDITIONS	LIMITS					UNIT
			$T_{amb} = +25^\circ\text{C}$			$T_{amb} = -40^\circ\text{C}$ to $+85^\circ\text{C}$		
			Min	Typ	Max	Min	Max	
V_{IK}	Input clamp voltage	$V_{CC} = 4.5\text{V}; I_{IK} = -18\text{mA}$		-0.9	-1.2		-1.2	V
V_{OH}	High-level output voltage	$V_{CC} = 4.5\text{V}; I_{OH} = -3\text{mA}; V_I = V_{IL}$ or V_{IH}	2.5	2.9		2.5		V
		$V_{CC} = 5.0\text{V}; I_{OH} = -3\text{mA}; V_I = V_{IL}$ or V_{IH}	3.0	3.4		3.0		V
		$V_{CC} = 4.5\text{V}; I_{OH} = -32\text{mA}; V_I = V_{IL}$ or V_{IH}	2.0	2.4		2.0		V
V_{OL}	Low-level output voltage	$V_{CC} = 4.5\text{V}; I_{OL} = 64\text{mA}; V_I = V_{IL}$ or V_{IH}		0.42	0.55		0.55	V
V_{RST}	Power-up output low voltage ³	$V_{CC} = 5.5\text{V}; I_O = 1\text{mA}; V_I = V_{CC}$ or GND		0.13	0.55		0.55	V
I_I	Input leakage current	$V_{CC} = 5.5\text{V}; V_I = \text{GND}$ or 5.5V		± 0.01	± 1.0		± 1.0	μA
I_{OFF}	Power-off leakage current	$V_{CC} = 0.0\text{V}; V_O$ or $V_I \leq 4.5\text{V}$		± 5.0	± 100		± 100	μA
I_{PU}/I_{PD}	Power-up/down 3-state output current ⁴	$V_{CC} = 2.0\text{V}; V_O = 0.5\text{V}; \overline{V_{OE}} = V_{CC}; V_I = \text{GND}$ or V_{CC}		± 5.0	± 50		± 50	μA
I_{OZH}	3-State output High current	$V_{CC} = 5.5\text{V}; V_O = 2.7\text{V}; V_I = V_{IL}$ or V_{IH}		5.0	50		50	μA
I_{OZL}	3-State output Low current	$V_{CC} = 5.5\text{V}; V_O = 0.5\text{V}; V_I = V_{IL}$ or V_{IH}		-5.0	-50		-50	μA
I_{CEX}	Output high leakage current	$V_{CC} = 5.5\text{V}; V_O = 5.5\text{V}; V_I = \text{GND}$ or V_{CC}		5.0	50		50	μA
I_O	Output current ¹	$V_{CC} = 5.5\text{V}; V_O = 2.5\text{V}$	-50	-80	-180	-50	-180	mA
I_{CCH}	Quiescent supply current	$V_{CC} = 5.5\text{V}; \text{Outputs High}, V_I = \text{GND}$ or V_{CC}		0.5	250		250	μA
I_{CCL}		$V_{CC} = 5.5\text{V}; \text{Outputs Low}, V_I = \text{GND}$ or V_{CC}		25	34		34	mA
I_{CCZ}		$V_{CC} = 5.5\text{V}; \text{Outputs 3-State}; V_I = \text{GND}$ or V_{CC}		0.5	250		250	μA
ΔI_{CC}	Additional supply current per input pin ²	$V_{CC} = 5.5\text{V}; \text{one input at } 3.4\text{V}, \text{ other inputs at } V_{CC}$ or GND		0.5	1.5		1.5	mA

NOTES:

- Not more than one output should be tested at a time, and the duration of the test should not exceed one second.
- This is the increase in supply current for each input at 3.4V.
- For valid test results, data must not be loaded into the flip-flops (or latches) after applying the power.
- This parameter is valid for any V_{CC} between 0V and 2.1V with a transition time of up to 10msec. For $V_{CC} = 2.1\text{V}$ to $V_{CC} = 5\text{V} \pm 10\%$, a transition time of up to 100 μsec is permitted.

9-bit bus interface latch with set and reset (3-State)

74ABT843

AC CHARACTERISTICS

SYMBOL	PARAMETER	WAVEFORM	LIMITS					UNIT
			$T_{amb} = +25^{\circ}C$ $V_{CC} = +5.0V$			$T_{amb} = -40$ to $+85^{\circ}C$ $V_{CC} = +5.0V \pm 0.5V$		
			Min	Typ	Max	Min	Max	
t_{PLH} t_{PHL}	Propagation delay Dn to Qn	1	1.6 2.2	3.6 5.0	5.2 6.3	1.6 2.2	6.0 7.2	ns
t_{PLH} t_{PHL}	Propagation delay LE to Qn	2	2.0 2.8	4.1 4.8	5.6 6.3	2.0 2.8	6.5 6.9	ns
t_{PLH} t_{PHL}	Propagation delay PRE to Qn	1	2.2 3.0	4.7 5.2	6.2 6.5	2.2 3.0	7.4 7.2	ns
t_{PLH} t_{PHL}	Propagation delay MR to Qn	1	2.5 3.1	5.0 5.5	6.3 6.8	2.5 3.1	7.1 8.0	ns
t_{PZH} t_{PZL}	Output enable time \overline{OE} to Qn	4 5	1.0 2.0	2.7 4.2	4.2 5.5	1.0 2.0	5.2 6.5	ns
t_{PHZ} t_{PLZ}	Output disable time \overline{OE} to Qn	4 5	2.9 2.2	4.9 5.0	6.2 6.3	2.9 2.2	6.8 6.7	ns

AC SETUP REQUIREMENTS

GND = 0V, $t_R = t_F = 2.5ns$, $C_L = 50pF$, $R_L = 500\Omega$

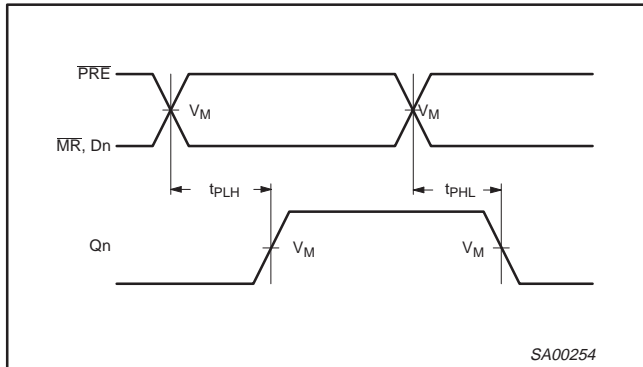
SYMBOL	PARAMETER	WAVEFORM	LIMITS			UNIT
			$T_{amb} = +25^{\circ}C$ $V_{CC} = +5.0V$		$T_{amb} = -40$ to $+85^{\circ}C$ $V_{CC} = +5.0V \pm 0.5V$	
			Min	Typ	Min	
$t_s(H)$ $t_s(L)$	Setup time, High or Low Dn to LE	3	2.5 3.0	1.1 1.3	2.5 3.0	ns
$t_h(H)$ $t_h(L)$	Hold time, High or Low Dn to LE	3	1.0 1.0	-1.0 -1.0	1.0 1.0	ns
$t_w(H)$	LE pulse width, High	3	3.3	1.8	3.3	ns
$t_w(L)$	PRE pulse width, Low	6	4.5	3.0	4.5	ns
$t_w(L)$	MR pulse width, Low	6	5.5	4.0	5.5	ns
t_{rec}	PRE recovery time	6	2.9	1.6	2.9	ns
t_{rec}	MR recovery time	6	3.6	2.0	3.6	ns

9-bit bus interface latch with set and reset (3-State)

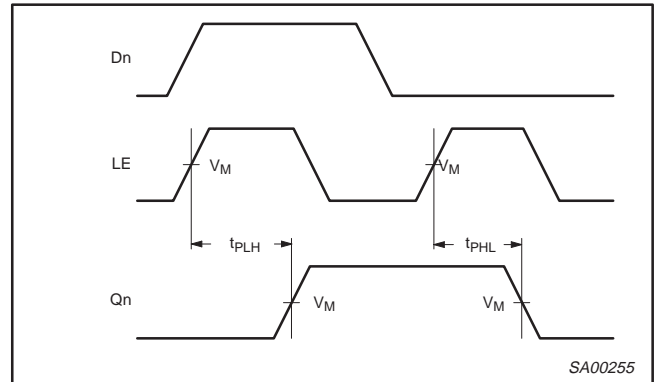
74ABT843

AC WAVEFORMS

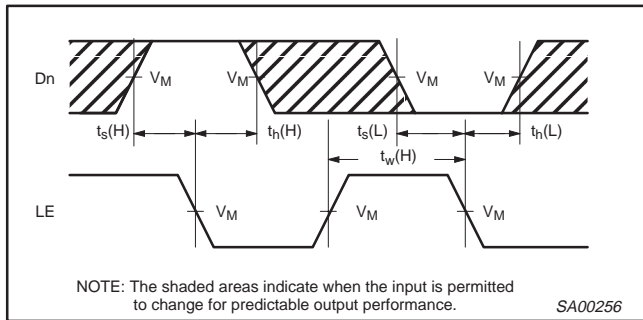
$V_M = 1.5V, V_{IN} = GND \text{ to } 3.0V$



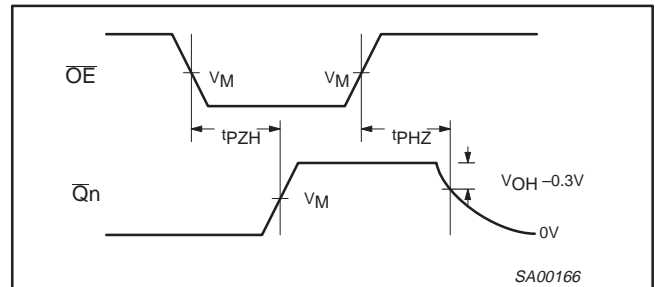
Waveform 1. Propagation Delay, Data to Output, Master Reset to Output, Preset to Output



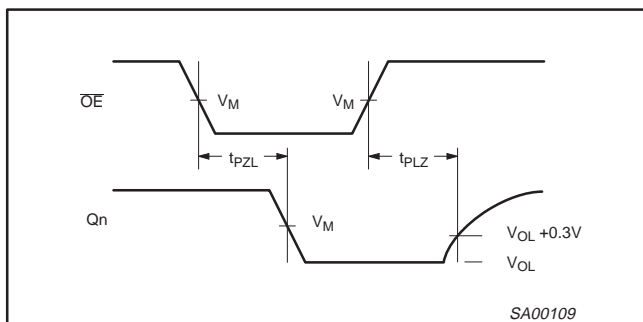
Waveform 2. Propagation Delay, Latch Enable to Output



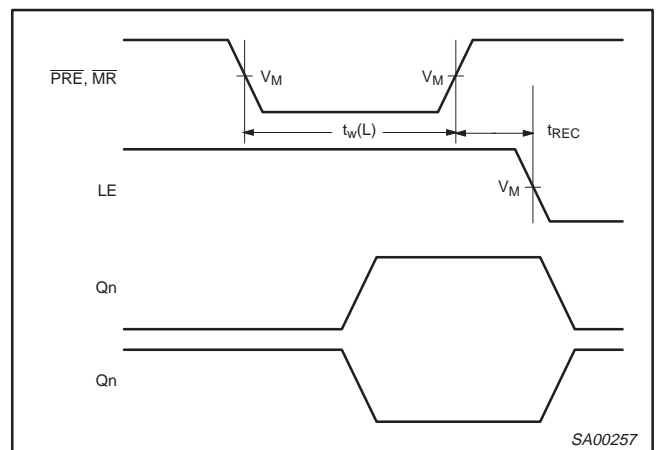
Waveform 3. Data Setup and Hold Times and Latch Enable Pulse Width



Waveform 4. 3-State Output Enable Time to High Level and Output Disable Time from High Level



Waveform 5. 3-State Output Enable Time to Low Level and Output Disable Time from Low Level

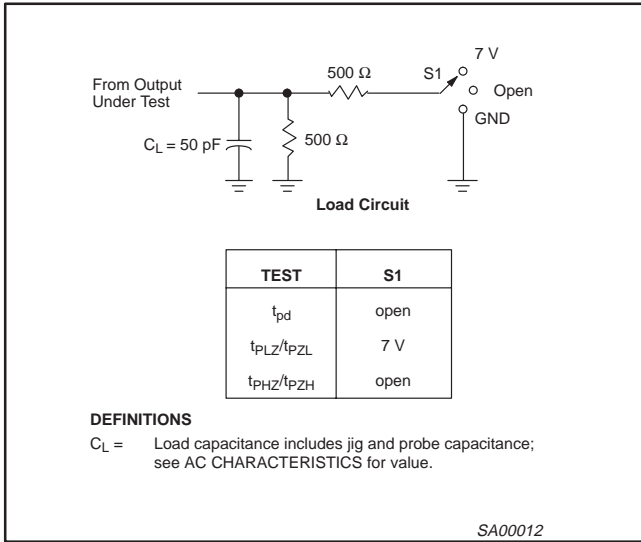


Waveform 6. Master Reset and Preset Pulse Width, Master Reset and Preset to Latch Enable Recovery Time

TEST CIRCUIT AND WAVEFORM

9-bit bus interface latch with set and reset (3-State)

74ABT843

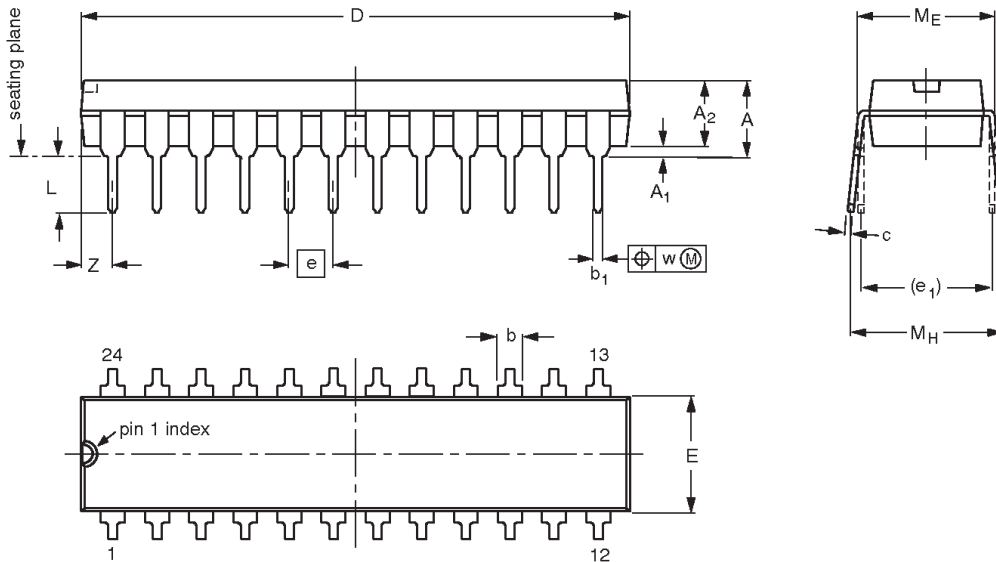


9-bit bus interface latch with set and reset (3-State)

74ABT843

DIP24: plastic dual in-line package; 24 leads (300 mil)

SOT222-1



DIMENSIONS (millimetre dimensions are derived from the original inch dimensions)

UNIT	A max.	A ₁ min.	A ₂ max.	b	b ₁	c	D ⁽¹⁾	E ⁽¹⁾	e	e ₁	L	M _E	M _H	w	Z ⁽¹⁾ max.
mm	4.70	0.38	3.94	1.63 1.14	0.56 0.43	0.36 0.25	31.9 31.5	6.73 6.48	2.54	7.62	3.51 3.05	8.13 7.62	10.03 7.62	0.25	2.05
inches	0.185	0.015	0.155	0.064 0.045	0.022 0.017	0.014 0.010	1.256 1.240	0.265 0.255	0.100	0.300	0.138 0.120	0.32 0.30	0.395 0.300	0.01	0.081

Note

1. Plastic or metal protrusions of 0.01 inches maximum per side are not included.

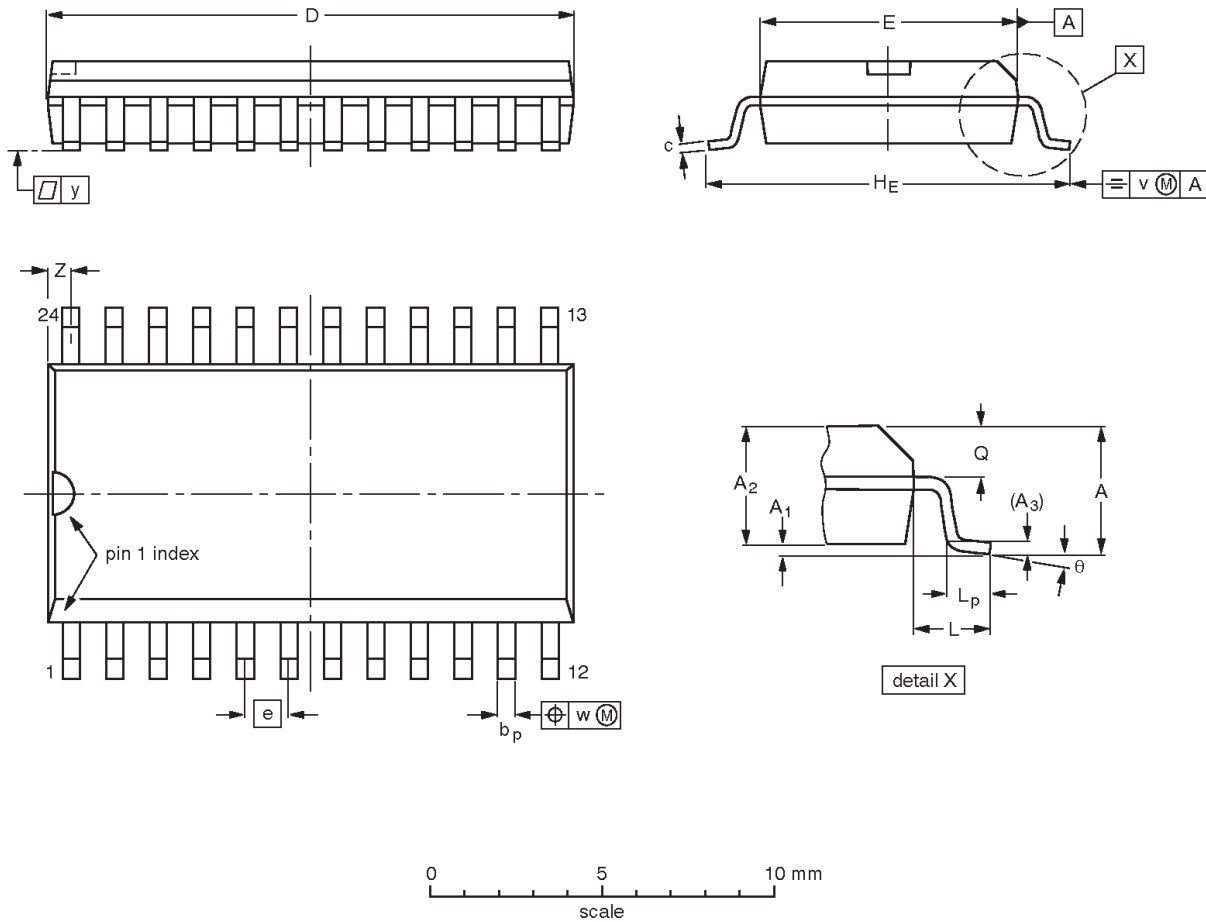
OUTLINE VERSION	REFERENCES				EUROPEAN PROJECTION	ISSUE DATE
	IEC	JEDEC	EIAJ			
SOT222-1		MS-001AF				95-03-11

9-bit bus interface latch with set and reset (3-State)

74ABT843

SO24: plastic small outline package; 24 leads; body width 7.5 mm

SOT137-1



DIMENSIONS (inch dimensions are derived from the original mm dimensions)

UNIT	A max.	A ₁	A ₂	A ₃	b _p	c	D ⁽¹⁾	E ⁽¹⁾	e	H _E	L	L _p	Q	v	w	y	z ⁽¹⁾	θ
mm	2.65	0.30 0.10	2.45 2.25	0.25	0.49 0.36	0.32 0.23	15.6 15.2	7.6 7.4	1.27	10.65 10.00	1.4	1.1 0.4	1.1 1.0	0.25	0.25	0.1	0.9 0.4	8° 0°
inches	0.10	0.012 0.004	0.096 0.089	0.01	0.019 0.014	0.013 0.009	0.61 0.60	0.30 0.29	0.050	0.419 0.394	0.055	0.043 0.016	0.043 0.039	0.01	0.01	0.004	0.035 0.016	

Note

1. Plastic or metal protrusions of 0.15 mm maximum per side are not included.

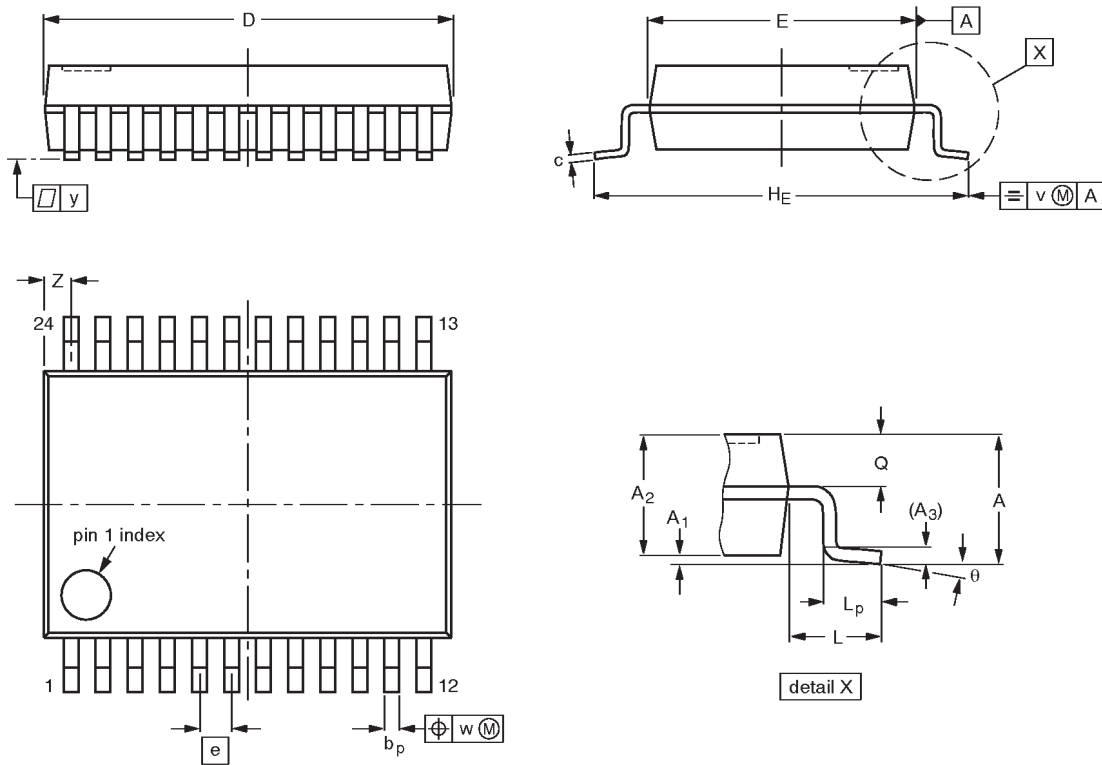
OUTLINE VERSION	REFERENCES				EUROPEAN PROJECTION	ISSUE DATE
	IEC	JEDEC	EIAJ			
SOT137-1	075E05	MS-013AD				95-01-24 97-05-22

9-bit bus interface latch with set and reset (3-State)

74ABT843

SSOP24: plastic shrink small outline package; 24 leads; body width 5.3 mm

SOT340-1



DIMENSIONS (mm are the original dimensions)

UNIT	A max.	A ₁	A ₂	A ₃	b _p	c	D ⁽¹⁾	E ⁽¹⁾	e	H _E	L	L _p	Q	v	w	y	Z ⁽¹⁾	θ
mm	2.0	0.21 0.05	1.80 1.65	0.25	0.38 0.25	0.20 0.09	8.4 8.0	5.4 5.2	0.65	7.9 7.6	1.25	1.03 0.63	0.9 0.7	0.2	0.13	0.1	0.8 0.4	8° 0°

Note

1. Plastic or metal protrusions of 0.20 mm maximum per side are not included.

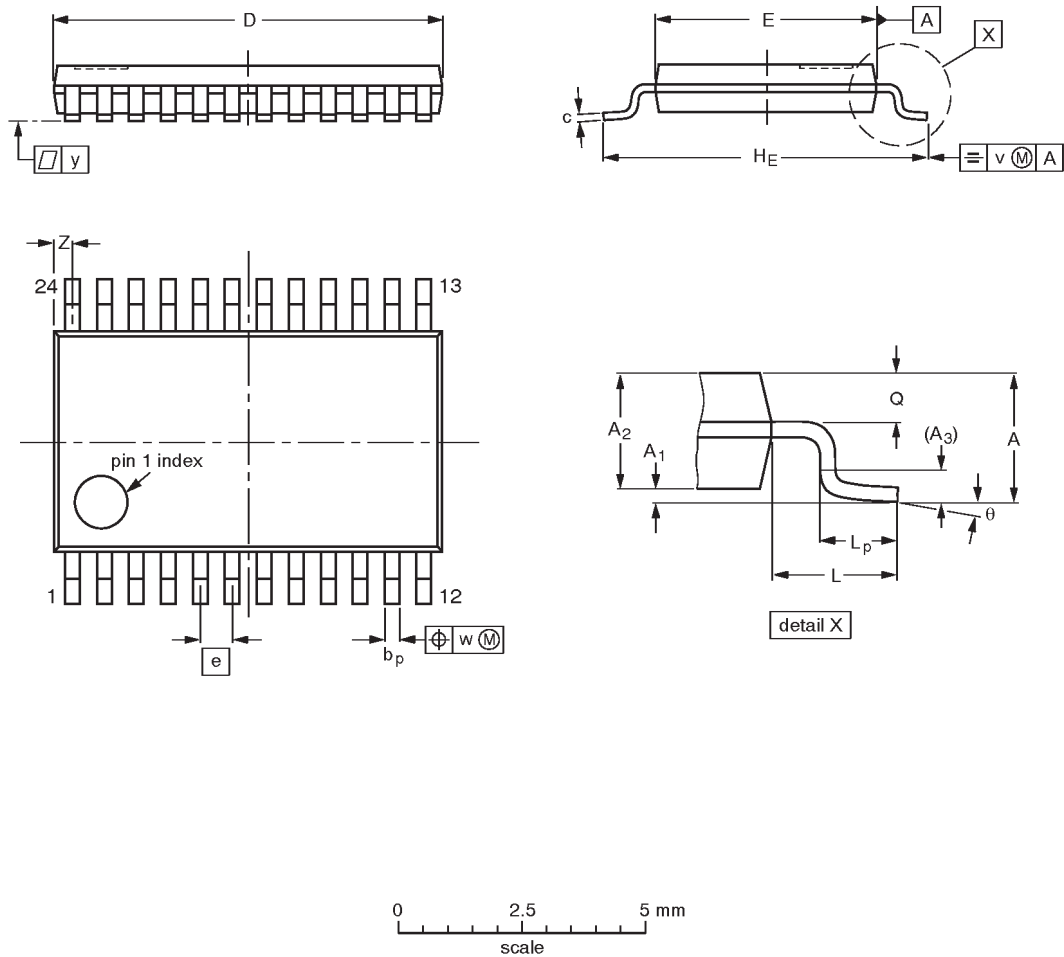
OUTLINE VERSION	REFERENCES				EUROPEAN PROJECTION	ISSUE DATE
	IEC	JEDEC	EIAJ			
SOT340-1		MO-150AG				93-09-08 95-02-04

9-bit bus interface latch with set and reset (3-State)

74ABT843

TSSOP24: plastic thin shrink small outline package; 24 leads; body width 4.4 mm

SOT355-1



DIMENSIONS (mm are the original dimensions)

UNIT	A max.	A ₁	A ₂	A ₃	b _p	c	D ⁽¹⁾	E ⁽²⁾	e	H _E	L	L _p	Q	v	w	y	z ⁽¹⁾	θ
mm	1.10	0.15 0.05	0.95 0.80	0.25	0.30 0.19	0.2 0.1	7.9 7.7	4.5 4.3	0.65	6.6 6.2	1.0	0.75 0.50	0.4 0.3	0.2	0.13	0.1	0.5 0.2	8° 0°

Notes

1. Plastic or metal protrusions of 0.15 mm maximum per side are not included.
2. Plastic interlead protrusions of 0.25 mm maximum per side are not included.

OUTLINE VERSION	REFERENCES				EUROPEAN PROJECTION	ISSUE DATE
	IEC	JEDEC	EIAJ			
SOT355-1		MO-153AD				93-06-16 95-02-04

9-bit bus interface latch with set and reset
(3-State)

74ABT843

NOTES

9-bit bus interface latch with set and reset (3-State)

74ABT843

Data sheet status

Data sheet status	Product status	Definition [1]
Objective specification	Development	This data sheet contains the design target or goal specifications for product development. Specification may change in any manner without notice.
Preliminary specification	Qualification	This data sheet contains preliminary data, and supplementary data will be published at a later date. Philips Semiconductors reserves the right to make changes at any time without notice in order to improve design and supply the best possible product.
Product specification	Production	This data sheet contains final specifications. Philips Semiconductors reserves the right to make changes at any time without notice in order to improve design and supply the best possible product.

[1] Please consult the most recently issued datasheet before initiating or completing a design.

Definitions

Short-form specification — The data in a short-form specification is extracted from a full data sheet with the same type number and title. For detailed information see the relevant data sheet or data handbook.

Limiting values definition — Limiting values given are in accordance with the Absolute Maximum Rating System (IEC 134). Stress above one or more of the limiting values may cause permanent damage to the device. These are stress ratings only and operation of the device at these or at any other conditions above those given in the Characteristics sections of the specification is not implied. Exposure to limiting values for extended periods may affect device reliability.

Application information — Applications that are described herein for any of these products are for illustrative purposes only. Philips Semiconductors make no representation or warranty that such applications will be suitable for the specified use without further testing or modification.

Disclaimers

Life support — These products are not designed for use in life support appliances, devices or systems where malfunction of these products can reasonably be expected to result in personal injury. Philips Semiconductors customers using or selling these products for use in such applications do so at their own risk and agree to fully indemnify Philips Semiconductors for any damages resulting from such application.

Right to make changes — Philips Semiconductors reserves the right to make changes, without notice, in the products, including circuits, standard cells, and/or software, described or contained herein in order to improve design and/or performance. Philips Semiconductors assumes no responsibility or liability for the use of any of these products, conveys no license or title under any patent, copyright, or mask work right to these products, and makes no representations or warranties that these products are free from patent, copyright, or mask work right infringement, unless otherwise specified.

Philips Semiconductors
811 East Arques Avenue
P.O. Box 3409
Sunnyvale, California 94088-3409
Telephone 800-234-7381

© Copyright Philips Electronics North America Corporation 1998
All rights reserved. Printed in U.S.A.

print code

Date of release: 05-96

Document order number:

9397-750-03475

Let's make things better.