

74AUP1T97

TinyLogic® Low Power Configurable Gate with Voltage-Level Translator

Features

- Single Supply Voltage Translator
 - 1.8V to 3.3V Input at $V_{CC}=3.3V$
 - 1.8V to 2.5V Input at $V_{CC}=2.5V$
- 2.3V to 3.6V V_{CC} Supply Voltage Operation
- 3.6V Over-Voltage Tolerant I/O's at V_{CC} from 2.3V to 3.6V
- Power-Off High-Impedance Inputs and Outputs
- Low Static Power Consumption
 - $I_{CC}=0.9\mu A$ Maximum
- Low Dynamic Power Consumption
 - $C_{PD}=2.7pF$ Typical at 3.3V
- Ultra-Small MicroPak™ Packages

Description

The 74AUP1T97 is a universal configurable 2-input logic gate that provides single supply voltage level translation. This device is designed for applications with inputs switching levels that accept 1.8V low voltage CMOS signals while operating from either a single 2.5V or 3.3V supply voltage. The 74AUP1T97 is an ideal low power solution for mixed voltage signal applications especially for battery-powered portable applications. This product guarantees very low static and dynamic power consumption across entire voltage range. All inputs are implemented with hysteresis to allow for slower transition input signals and better switching noise immunity.

The 74AUP1T97 provides for multiple functions as determined by various configurations of the three inputs. The potential logic functions provided are MUX, AND, NAND, OR, and NOR, inverter and buffer. Refer to Figures 3 to 9.

Ordering Information

Part Number	Top Mark	Package	Packing Method
74AUP1T97L6X	AH	6-Lead MicroPak™, 1.0mm Wide	5000 Units on Tape & Reel
74AUP1T97FHX	AH	6-Lead, MicroPak2™, 1x1mm Body, .35mm Pitch	5000 Units on Tape & Reel

Logic Diagram

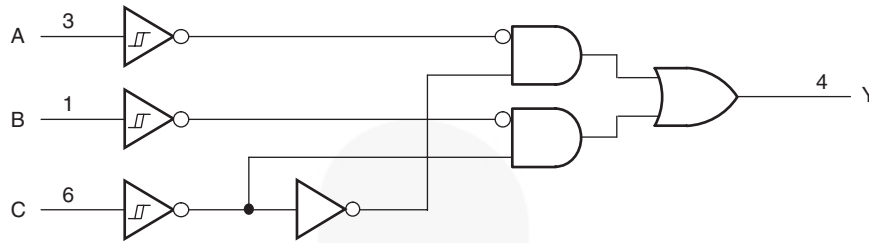


Figure 1. Logic Diagram (Positive Logic)

Pin Configurations

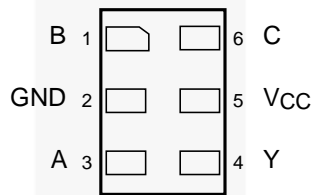


Figure 2. MicroPak™ (Top Through View)

Pin Definitions

Pin #	Name	Description
1	B	Data Input
2	GND	Ground
3	A	Data Input
4	Y	Output
5	V _{CC}	Supply Voltage
6	C	Data Input

Function Table

Inputs			74AUP1T97
C	B	A	Y=Output
L	L	L	L
L	L	H	L
L	H	L	H
L	H	H	H
H	L	L	L
H	L	H	H
H	H	L	L
H	H	H	H

H = HIGH Logic Level

L = LOW Logic Level

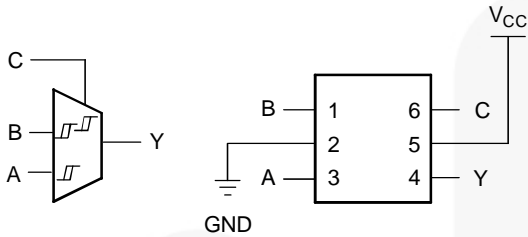
Function Selection Table

Logic Function	Connection Configuration
2-to-1 MUX	Figure 3
2-Input AND Gate	Figure 4
2-Input OR Gate with One Inverted Input	Figure 5
2-Input NAND Gate with One Inverted Input	Figure 5
2-Input AND Gate with One Inverted Input	Figure 6
2-Input NOR Gate with One Inverted Input	Figure 6
2-Input OR Gate	Figure 7
Inverter	Figure 8
Buffer	Figure 9

74AUP1T97 Logic Configurations

Figure 3 through Figure 9 show the logical functions that can be implemented using the 74AUP1T97. The diagrams show the DeMorgan's equivalent logic duals for a given two-input function. The logical

implementation is next to the board-level physical implementation of how the pins of the function should be connected.



Note:

1. When C is L, Y=B.
2. When C is H, Y=A.

Figure 3. 2-to-1 MUX

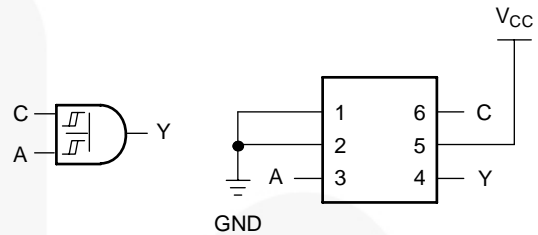
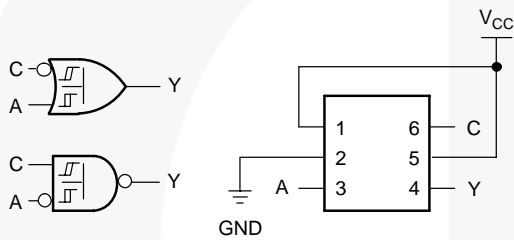
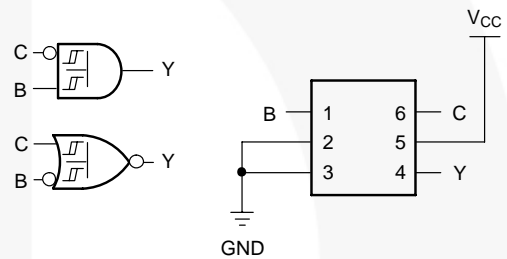


Figure 4. 2-Input AND Gate



**Figure 5. Input OR Gate with One Inverted Input
2-Input NAND Gate with One Inverted Input**



**Figure 6. 2-Input AND Gate with One Inverted Input
2-Input NOR Gate with One Inverted Input**

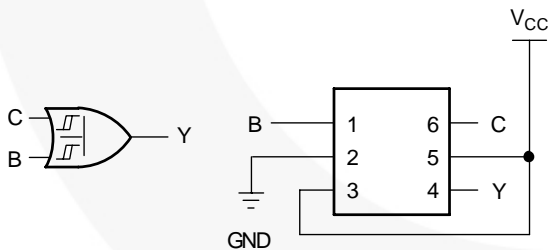


Figure 7. 2-Input OR Gate

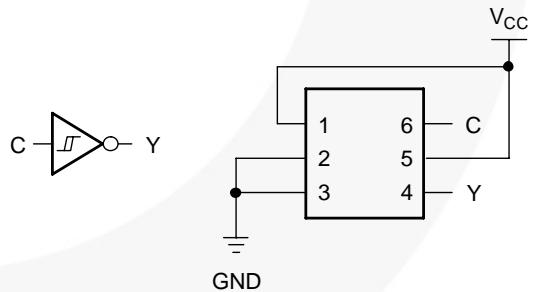


Figure 8. Inverter

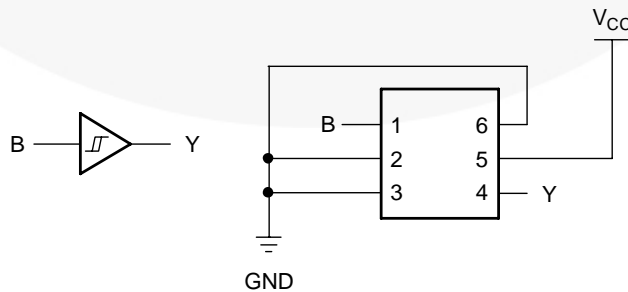


Figure 9. Buffer

Absolute Maximum Ratings

Stresses exceeding the absolute maximum ratings may damage the device. The device may not function or be operable above the recommended operating conditions and stressing the parts to these levels is not recommended. In addition, extended exposure to stresses above the recommended operating conditions may affect device reliability. The absolute maximum ratings are stress ratings only.

Symbol	Parameter	Min.	Max.	Unit
V_{CC}	Supply Voltage	-0.5	4.6	V
V_{IN}	DC Input Voltage	-0.5	4.6	V
V_{OUT}	DC Output Voltage	HIGH or LOW State ⁽³⁾	$V_{CC} + 0.5$	V
		$V_{CC}=0V$	4.6	
I_{IK}	DC Input Diode Current	$V_{IN} < 0V$	-50	mA
I_{OK}	DC Output Diode Current	$V_{OUT} < 0V$	-50	mA
		$V_{OUT} > V_{CC}$	+50	
I_{OH} / I_{OL}	DC Output Source / Sink Current		±50	mA
I_o	Continuous Output Current		±20	mA
I_{CC} or I_{GND}	DC V_{CC} or Ground Current per Supply Pin		±50	mA
T_{STG}	Storage Temperature Range	-65	+150	°C
T_J	Junction Temperature Under Bias		+150	°C
T_L	Junction Lead Temperature, Soldering 10s		+260	°C
P_D	Power Dissipation at +85°C	MicroPak-6	130	mW
		MicroPak2-6	120	
ESD	Human Body Model, JEDEC:JESD22-A114		5000+	V
	Charged Device Model, JEDEC:JESD22-C101		2000	

Note:

3. I_o absolute maximum rating must be observed.

Recommended Operating Conditions⁽⁴⁾

The Recommended Operating Conditions table defines the conditions for actual device operation. Recommended operating conditions are specified to ensure optimal performance to the datasheet specifications. Fairchild does not recommend exceeding them or designing to Absolute Maximum Ratings.

Symbol	Parameter	Conditions	Min.	Max.	Unit
V_{CC}	Supply Voltage		2.3	3.6	V
V_{IN}	Input Voltage		0	3.6	V
V_{OUT}	Output Voltage	$V_{CC}=0V$	0	3.6	V
		HIGH or LOW State	0	V_{CC}	
I_{OH}/I_{OL}	Output Current	$V_{CC}=3.0V$ to $3.6V$		±4.0	mA
		$V_{CC}=2.3V$ to $2.7V$		±3.1	
T_A	Operating Temperature, Free Air		-40	+85	°C
θ_{JA}	Thermal Resistance	MicroPak-6		500	°C/W
		MicroPak2-6		560	

Note:

4. Unused inputs must be held HIGH or LOW. They may not float.

DC Electrical Characteristics

Symbol	Parameter	V _{CC}	Conditions	T _A =+25°C		T _A =-40 to +85°C		Units
				Min.	Max.	Min.	Max.	
V _P	Positive Threshold Voltage	2.3V to 2.7V		0.60	1.10	0.60	1.10	V
		3.0V to 3.6V		0.75	1.16	0.75	1.19	
V _N	Negative Threshold Voltage	2.3V to 2.7V		0.35	0.60	0.35	0.60	V
		3.0V to 3.6V		0.50	0.85	0.50	0.85	
V _H	Hysteresis Voltage	2.3V to 2.7V		0.23	0.60	0.10	0.60	V
		3.0V to 3.6V		0.25	0.56	0.15	0.56	
V _{OH}	HIGH Level Output Voltage	2.3V ≤ V _{CC} ≤ 3.6V	I _{OH} =-20μA	V _{CC} -0.1		V _{CC} -0.1		V
		2.3V	I _{OH} =-2.3mA	2.05		1.97		
			I _{OH} =-3.1mA	1.90		1.85		
		3.0V	I _{OH} =-2.7mA	2.72		2.67		
I _{OH} =-4mA	2.60			2.55				
V _{OL}	LOW Level Output Voltage	2.3V ≤ V _{CC} ≤ 3.6V	I _{OL} =20μA		0.10		0.10	V
		2.3V	I _{OL} =2.3mA		0.31		0.33	
			I _{OL} =3.1mA		0.44		0.45	
		3.0V	I _{OL} =2.7mA		0.31		0.33	
I _{OL} =4.0mA			0.44		0.45			
I _{IN}	Input Leakage Current	0V to 3.6V	0 ≤ V _{IN} ≤ 3.6		±0.10		±0.50	μA
I _{OFF}	Power Off Leakage Current	0V	0 ≤ (V _{IN} , V _O) ≤ 3.6		0.10		0.50	μA
ΔI _{OFF}	Additional Power Off Leakage Current	0V to 0.2V	V _{IN} or V _O =0V to 3.6V		0.20		0.60	μA
I _{CC}	Quiescent Supply Current	2.3V to 3.6V	V _{IN} =V _{CC} or GND		0.50		0.90	μA
			V _{CC} ≤ V _{IN} ≤ 3.6V				±0.90	
ΔI _{CC}	Increase in I _{CC} per Input	2.3V to 2.7V	One Input at 0.3V or 1.1V, other Inputs at 0 or V _{CC}				4	μA
		3.0V to 3.6V	One Input at 0.45V or 1.2V, other Inputs at 0 or V _{CC}				12	

AC Electrical Characteristics

Symbol	Parameter	V _{CC}	Conditions	T _A =+25°C			T _A =-40 to +85°C		Units	Figure			
				Min.	Typ.	Max.	Typ.	Max.					
t _{PHL} , t _{PLH}	Propagation Delay	2.30V ≤ V _{CC} ≤ 2.70V, V _{IN} =1.65V to 1.95V	C _L =5pF, R _L =1MΩ	1.1	3.7	5.5	1.1	6.8	ns	Figure 10 Figure 11			
		2.30V ≤ V _{CC} ≤ 2.70V, V _{IN} =2.30V to 2.70V		1.1	3.8	6.5	1.1	7.0					
		2.30V ≤ V _{CC} ≤ 2.70V, V _{IN} =3.0V to 3.60V		1.1	3.9	6.0	1.1	6.5					
		3.00V ≤ V _{CC} ≤ 3.60V, V _{IN} =1.65V to 1.95V		1.0	3.3	4.9	1.0	8.0					
		3.00V ≤ V _{CC} ≤ 3.60V, V _{IN} =2.30V to 2.70V		1.0	3.2	4.6	1.0	5.8					
		3.00V ≤ V _{CC} ≤ 3.60V, V _{IN} =3.00V to 3.60V		1.0	3.1	4.7	1.0	5.5					
		2.30V ≤ V _{CC} ≤ 2.70V, V _{IN} =1.65V to 1.95V	C _L =10pF, R _L =1MΩ	1.3	4.1	6.5	1.0	7.9					
		2.30V ≤ V _{CC} ≤ 2.70V, V _{IN} =2.30V to 2.70V		1.3	4.0	6.2	1.0	7.1					
		2.30V ≤ V _{CC} ≤ 2.70V, V _{IN} =3.0V to 3.60V		1.3	3.7	5.7	1.0	6.5					
		3.00V ≤ V _{CC} ≤ 3.60V, V _{IN} =1.65V to 1.95V		1.3	3.5	5.6	1.0	8.5					
		3.00V ≤ V _{CC} ≤ 3.60V, V _{IN} =2.30V to 2.70V		1.3	3.4	5.3	1.0	6.1					
		3.00V ≤ V _{CC} ≤ 3.60V, V _{IN} =3.00V to 3.60V		1.3	3.3	5.2	1.0	5.9					
		2.30V ≤ V _{CC} ≤ 2.70V, V _{IN} =1.65V to 1.95V	C _L =15pF, R _L =1MΩ	1.5	4.6	6.9	1.0	8.7					
		2.30V ≤ V _{CC} ≤ 2.70V, V _{IN} =2.30V to 2.70V		1.5	4.4	6.8	1.0	7.9					
		2.30V ≤ V _{CC} ≤ 2.70V, V _{IN} =3.0V to 3.60V		1.5	4.2	6.3	1.0	7.4					
		3.00V ≤ V _{CC} ≤ 3.60V, V _{IN} =1.65V to 1.95V		1.3	3.9	6.2	1.0	9.1					
		3.00V ≤ V _{CC} ≤ 3.60V, V _{IN} =2.30V to 2.70V		1.3	3.8	5.6	1.0	6.8					
		3.00V ≤ V _{CC} ≤ 3.60V, V _{IN} =3.00V to 3.60V		1.3	3.8	5.6	1.0	6.2					
		2.30V ≤ V _{CC} ≤ 2.70V, V _{IN} =1.65V to 1.95V	C _L =30pF, R _L =1MΩ	1.3	4.2	7.9	1.3	8.5					
		2.30V ≤ V _{CC} ≤ 2.70V, V _{IN} =2.30V to 2.70V		1.3	3.9	7.9	1.3	8.5					
		2.30V ≤ V _{CC} ≤ 2.70V, V _{IN} =3.0V to 3.60V		1.0	3.7	7.3	1.0	8.9					
		3.00V ≤ V _{CC} ≤ 3.60V, V _{IN} =1.65V to 1.95V		1.3	3.5	6.1	1.3	7.9					
		3.00V ≤ V _{CC} ≤ 3.60V, V _{IN} =2.30V to 2.70V		1.1	3.0	5.9	1.1	6.8					
		3.00V ≤ V _{CC} ≤ 3.60V, V _{IN} =3.00V to 3.60V		1.0	2.7	5.7	1.0	6.5					
		C _{IN}	Input Capacitance	0		2.1						pF	
		C _{OUT}	Output Capacitance	0		3.0						pF	
		C _{PD}	Power Dissipation Capacitance	2.30V ≤ V _{CC} ≤ 2.70V		2.0						pF	
				3.00V ≤ V _{CC} ≤ 3.60V		2.7							

AC Loadings and Waveforms

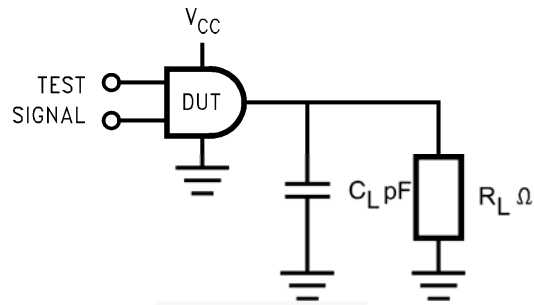


Figure 10. AC Test Circuit

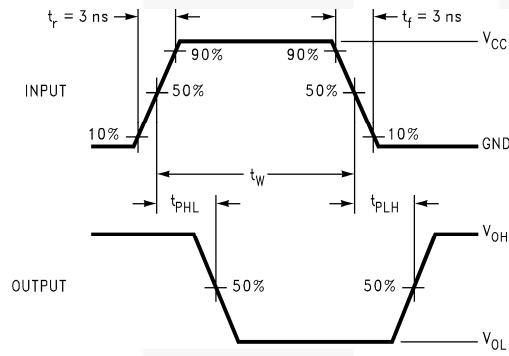
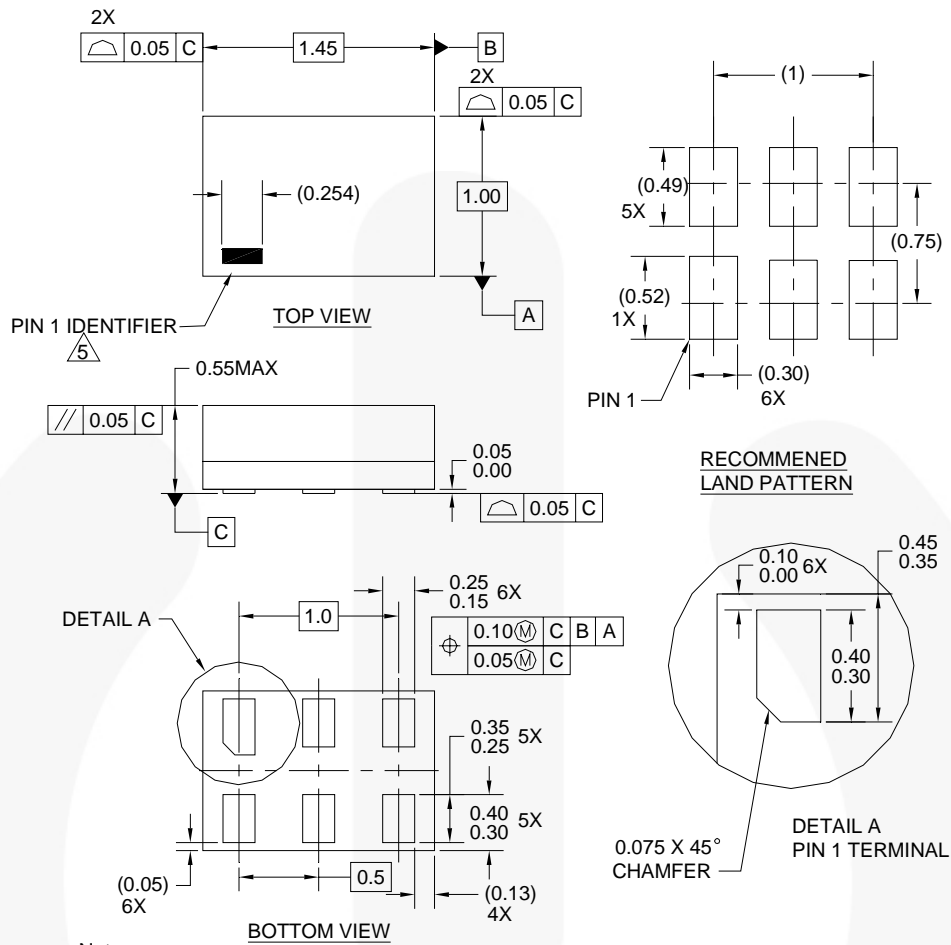


Figure 11. AC Waveforms

Symbol	V _{CC}	
	3.3V ± 0.3V	2.5V ± 0.2V
V _{mi}	V _{IN} /2	V _{IN} /2
V _{mo}	V _{CC} /2	V _{CC} /2

Physical Dimensions



Notes:

1. CONFORMS TO JEDEC STANDARD M0-252 VARIATION UAAD
2. DIMENSIONS ARE IN MILLIMETERS
3. DRAWING CONFORMS TO ASME Y14.5M-1994
4. FILENAME AND REVISION: MAC06AREV4
- △. PIN ONE IDENTIFIER IS 2X LENGTH OF ANY OTHER LINE IN THE MARK CODE LAYOUT.

Figure 12. 6-Lead, MicroPak™, 1.0mm Wide

Package drawings are provided as a service to customers considering Fairchild components. Drawings may change in any manner without notice. Please note the revision and/or date on the drawing and contact a Fairchild Semiconductor representative to verify or obtain the most recent revision. Package specifications do not expand the terms of Fairchild's worldwide terms and conditions, specifically the warranty therein, which covers Fairchild products.

Always visit Fairchild Semiconductor's online packaging area for the most recent package drawings:
<http://www.fairchildsemi.com/packaging/>.

Tape and Reel Specifications

Please visit Fairchild Semiconductor's online packaging area for the most recent tape and reel specifications:
http://www.fairchildsemi.com/products/logic/pdf/micropak_tr.pdf.

Package Designator	Tape Section	Cavity Number	Cavity Status	Cover Type Status
L6X	Leader (Start End)	125 (Typical)	Empty	Sealed
	Carrier	5000	Filled	Sealed
	Trailer (Hub End)	75 (Typical)	Empty	Sealed

Physical Dimensions

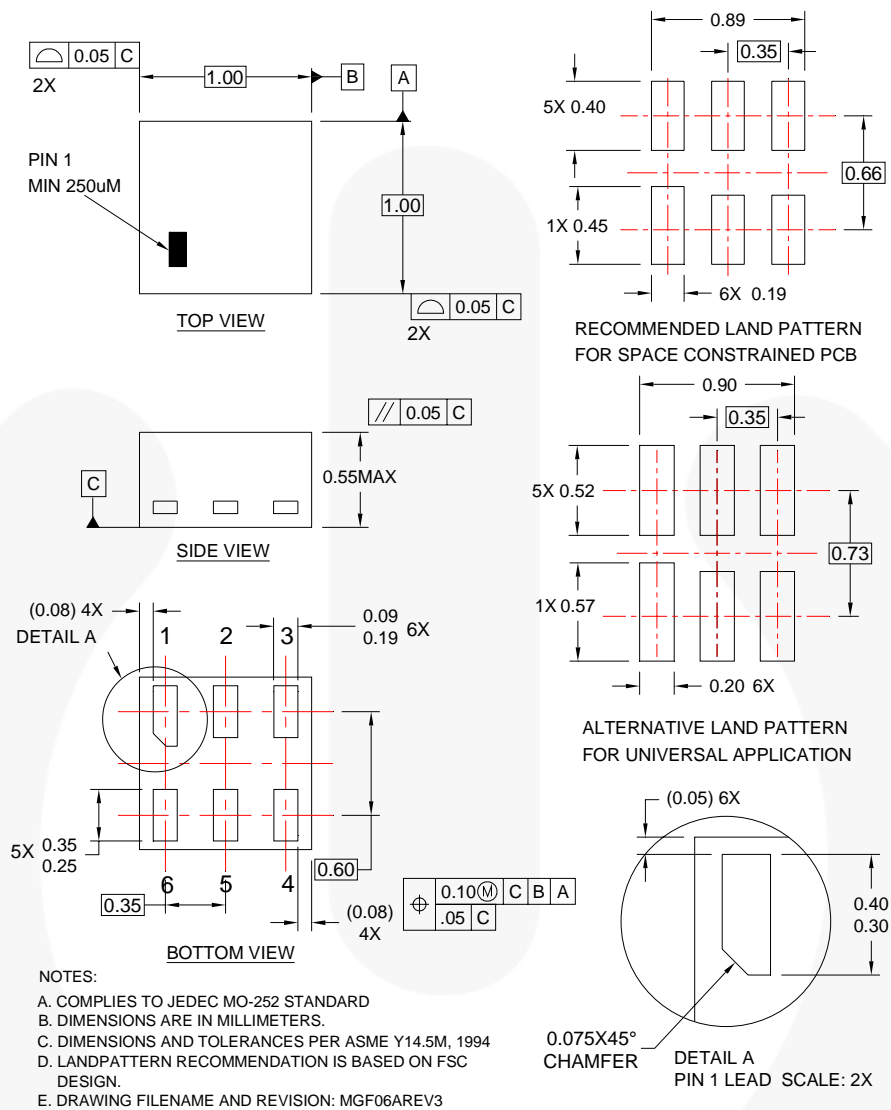


Figure 13. 6-Lead, MicroPak2™, 1x1mm Body, .35mm Pitch

Package drawings are provided as a service to customers considering Fairchild components. Drawings may change in any manner without notice. Please note the revision and/or date on the drawing and contact a Fairchild Semiconductor representative to verify or obtain the most recent revision. Package specifications do not expand the terms of Fairchild's worldwide terms and conditions, specifically the warranty therein, which covers Fairchild products.

Always visit Fairchild Semiconductor's online packaging area for the most recent package drawings:
<http://www.fairchildsemi.com/packaging/>.

Tape and Reel Specifications

Please visit Fairchild Semiconductor's online packaging area for the most recent tape and reel specifications:
http://www.fairchildsemi.com/packaging/MicroPAK2_6L_tr.pdf.

Package Designator	Tape Section	Cavity Number	Cavity Status	Cover Type Status
FHX	Leader (Start End)	125 (Typical)	Empty	Sealed
	Carrier	5000	Filled	Sealed
	Trailer (Hub End)	75 (Typical)	Empty	Sealed


TRADEMARKS

The following includes registered and unregistered trademarks and service marks, owned by Fairchild Semiconductor and/or its global subsidiaries, and is not intended to be an exhaustive list of all such trademarks.

AccuPower™
 Auto-SPM™
 Build it Now™
 CorePLUS™
 CorePOWER™
 CROSSVOLT™
 CTL™
 Current Transfer Logic™
 DEUXPEED®
 Dual Cool™
 EcoSPARK®
 EfficientMax™
 ESBC™
 Fairchild®
 Fairchild Semiconductor®
 FACT Quiet Series™
 FACT®
 FAST®
 FastvCore™
 FETBench™
 FlashWriter®
 FPS™

F-PFS™
 FRFET®
 Global Power ResourceSM
 Green FPST™
 Green FPST™ e-Series™
 Gmax™
 GTO™
 IntelliMAX™
 ISOPLANAR™
 MegaBuck™
 MICROCOUPLER™
 MicroFET™
 MicroPak™
 MicroPak2™
 MillerDrive™
 MotionMax™
 Motion-SPM™
 OptoHIT™
 OPTOLOGIC®
 OPTOPLANAR®
 PDP SPM™

Power-SPM™
 PowerTrench®
 PowerXS™
 Programmable Active Droop™
 QFET®
 QS™
 Quiet Series™
 RapidConfigure™
 Saving our world, 1mW/WkW at a time™
 SignalWise™
 SmartMax™
 SMART START™
 SPM®
 STEALTH™
 SuperFET®
 SuperSOT™.3
 SuperSOT™.6
 SuperSOT™.8
 SupreMOS®
 SyncFET™
 Sync-Lock™

 SYSTEM GENERAL®
 The Power Franchise®
 the power franchise
 TinyBoost™
 TinyBuck™
 TinyCalc™
 TinyLogic®
 TINYOPTO™
 TinyPower™
 TinyPVM™
 TinyWire™
 TriFault Detect™
 TRUECURRENT™*
 µSerDes™
 SerDes®
 UHC®
 Ultra FRFET™
 UniFET™
 VCX™
 VisualMax™
 XS™

* Trademarks of System General Corporation, used under license by Fairchild Semiconductor.

DISCLAIMER

FAIRCHILD SEMICONDUCTOR RESERVES THE RIGHT TO MAKE CHANGES WITHOUT FURTHER NOTICE TO ANY PRODUCTS HEREIN TO IMPROVE RELIABILITY, FUNCTION, OR DESIGN. FAIRCHILD DOES NOT ASSUME ANY LIABILITY ARISING OUT OF THE APPLICATION OR USE OF ANY PRODUCT OR CIRCUIT DESCRIBED HEREIN; NEITHER DOES IT CONVEY ANY LICENSE UNDER ITS PATENT RIGHTS, NOR THE RIGHTS OF OTHERS. THESE SPECIFICATIONS DO NOT EXPAND THE TERMS OF FAIRCHILD'S WORLDWIDE TERMS AND CONDITIONS, SPECIFICALLY THE WARRANTY THEREIN, WHICH COVERS THESE PRODUCTS.

LIFE SUPPORT POLICY

FAIRCHILD'S PRODUCTS ARE NOT AUTHORIZED FOR USE AS CRITICAL COMPONENTS IN LIFE SUPPORT DEVICES OR SYSTEMS WITHOUT THE EXPRESS WRITTEN APPROVAL OF FAIRCHILD SEMICONDUCTOR CORPORATION.

As used herein:

1. Life support devices or systems are devices or systems which, (a) are intended for surgical implant into the body or (b) support or sustain life, and (c) whose failure to perform when properly used in accordance with instructions for use provided in the labeling, can be reasonably expected to result in a significant injury of the user.
2. A critical component in any component of a life support, device, or system whose failure to perform can be reasonably expected to cause the failure of the life support device or system, or to affect its safety or effectiveness.

ANTI-COUNTERFEITING POLICY

Fairchild Semiconductor Corporation's Anti-Counterfeiting Policy. Fairchild's Anti-Counterfeiting Policy is also stated on our external website, www.fairchildsemi.com, under Sales Support.

Counterfeiting of semiconductor parts is a growing problem in the industry. All manufacturers of semiconductor products are experiencing counterfeiting of their parts. Customers who inadvertently purchase counterfeit parts experience many problems such as loss of brand reputation, substandard performance, failed applications, and increased cost of production and manufacturing delays. Fairchild is taking strong measures to protect ourselves and our customers from the proliferation of counterfeit parts. Fairchild strongly encourages customers to purchase Fairchild parts either directly from Fairchild or from Authorized Fairchild Distributors who are listed by country on our web page cited above. Products customers buy either from Fairchild directly or from Authorized Fairchild Distributors are genuine parts, have full traceability, meet Fairchild's quality standards for handling and storage and provide access to Fairchild's full range of up-to-date technical and product information. Fairchild and our Authorized Distributors will stand behind all warranties and will appropriately address any warranty issues that may arise. Fairchild will not provide any warranty coverage or other assistance for parts bought from Unauthorized Sources. Fairchild is committed to combat this global problem and encourage our customers to do their part in stopping this practice by buying direct or from authorized distributors.

PRODUCT STATUS DEFINITIONS
Definition of Terms

Datasheet Identification	Product Status	Definition
Advance Information	Formative / In Design	Datasheet contains the design specifications for product development. Specifications may change in any manner without notice.
Preliminary	First Production	Datasheet contains preliminary data; supplementary data will be published at a later date. Fairchild Semiconductor reserves the right to make changes at any time without notice to improve design.
No Identification Needed	Full Production	Datasheet contains final specifications. Fairchild Semiconductor reserves the right to make changes at any time without notice to improve the design.
Obsolete	Not In Production	Datasheet contains specifications on a product that is discontinued by Fairchild Semiconductor. The datasheet is for reference information only.

Rev. I50