

# DATA SHEET

## **74AVC16334A**

16-bit registered driver with  
inverted register enable and  
Dynamic Controlled Outputs™ (3-State)

Product specification  
Supersedes data of 2000 May 02

2000 Aug 03

[www.DataSheet4U.com](http://www.DataSheet4U.com)

# 16-bit registered driver with inverted register enable and Dynamic Controlled Outputs™ (3-State)

74AVC16334A

## FEATURES

- Wide supply voltage range of 1.2 V to 3.6 V
- Complies with JEDEC standard no. 8-1A/5/7.
- CMOS low power consumption
- Input/output tolerant up to 3.6 V
- DCO (Dynamic Controlled Output) circuit dynamically changes output impedance, resulting in noise reduction without speed degradation
- Low inductance multiple  $V_{CC}$  and GND pins for minimum noise and ground bounce
- Power off disables 74AVC16334A outputs, permitting Live Insertion
- Integrated input diodes to minimize input overshoot and undershoot
- Full PC133 solution provided when used with PCK2509S or PCK2510S and CBT16292

## DESCRIPTION

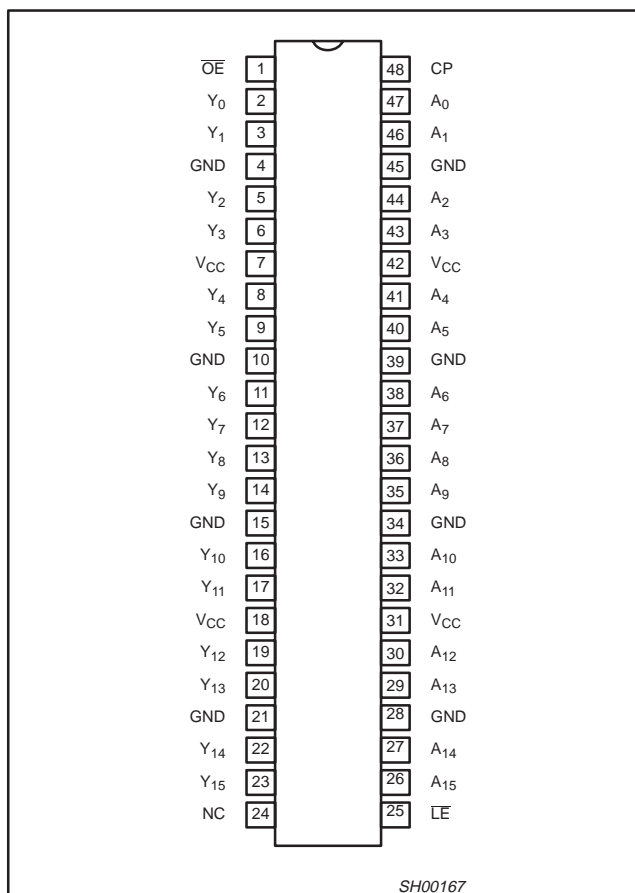
The 74AVC16334A is a 16-bit universal bus driver. Data flow is controlled by output enable ( $\overline{OE}$ ), latch enable ( $\overline{LE}$ ) and clock inputs (CP).

This product is designed to have an extremely fast propagation delay and a minimum amount of power consumption.

To ensure the high-impedance state during power up or power down,  $\overline{OE}$  should be tied to  $V_{CC}$  through a pullup resistor (Live Insertion).

A Dynamic Controlled Output (DCO) circuitry is implemented to support termination line drive during transient. See the graphs on page 8 for typical curves.

## PIN CONFIGURATION



SH00167

## QUICK REFERENCE DATA

GND = 0 V;  $T_{amb} = 25^{\circ}\text{C}$ ;  $t_r = t_f \leq 2.0 \text{ ns}$ ;  $C_L = 30 \text{ pF}$ .

| SYMBOL            | PARAMETER   | CONDITIONS   |                 | TYPICAL           | UNIT |
|-------------------|---|--|-----------------|-------------------|------|
| $t_{PHL}/t_{PLH}$ | Propagation delay<br>An to Yn                           | $V_{CC} = 1.8 \text{ V}$<br>$V_{CC} = 2.5 \text{ V}$<br>$V_{CC} = 3.3 \text{ V}$ |                 | 2.5<br>1.7<br>1.5 | ns   |
| $t_{PHL}/t_{PLH}$ | Propagation delay<br>$\overline{LE}$ to Yn;<br>CP to Yn | $V_{CC} = 1.8 \text{ V}$<br>$V_{CC} = 2.5 \text{ V}$<br>$V_{CC} = 3.3 \text{ V}$ |                 | 2.7<br>2.0<br>1.6 | ns   |
| $C_I$             | Input capacitance                                       |  |                 | 3.8               | pF   |
| $C_{PD}$          | Power dissipation capacitance per buffer                | $V_I = \text{GND to } V_{CC}^1$  | Outputs enabled | 25                | pF   |
|                   |   |  | Output disabled | 6                 |      |

### NOTE:

1)  $C_{PD}$  is used to determine the dynamic power dissipation ( $P_D$  in  $\mu\text{W}$ ):

$P_D = C_{PD} \times V_{CC}^2 \times f_i + \Sigma (C_L \times V_{CC}^2 \times f_o)$  where:  $f_i$  = input frequency in MHz;  $C_L$  = output load capacitance in pF;  
 $f_o$  = output frequency in MHz;  $V_{CC}$  = supply voltage in V;  $\Sigma (C_L \times V_{CC}^2 \times f_o)$  = sum of outputs.

## ORDERING INFORMATION

| PACKAGES   | TEMPERATURE RANGE                              | OUTSIDE NORTH AMERICA | NORTH AMERICA | DRAWING NUMBER |
|--|--|-----------------------|---------------|----------------|
| 48-Pin Plastic Thin Shrink Small Outline (TSSOP) Type II | $-40^{\circ}\text{C}$ to $+85^{\circ}\text{C}$ | AVC16334A DGG         |               | SOT362-1       |

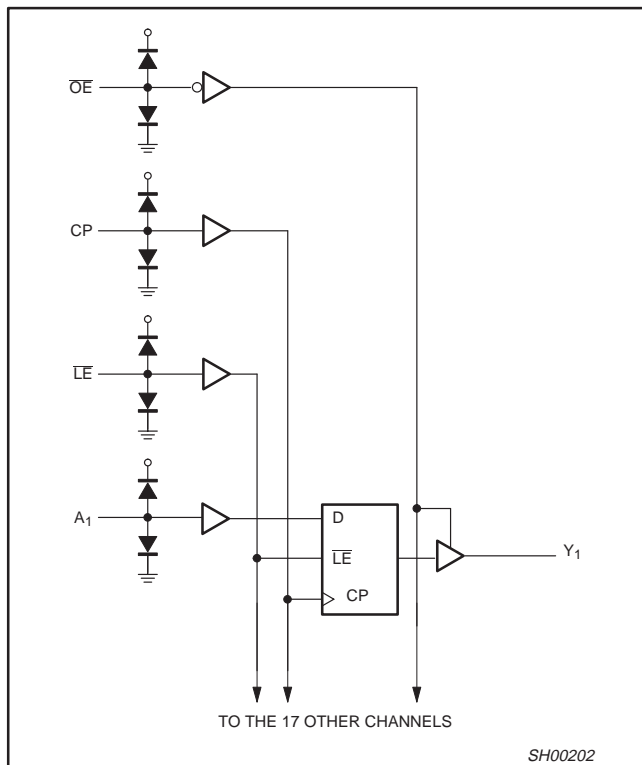
# 16-bit registered driver with inverted register enable and Dynamic Controlled Outputs™ (3-State)

74AVC16334A

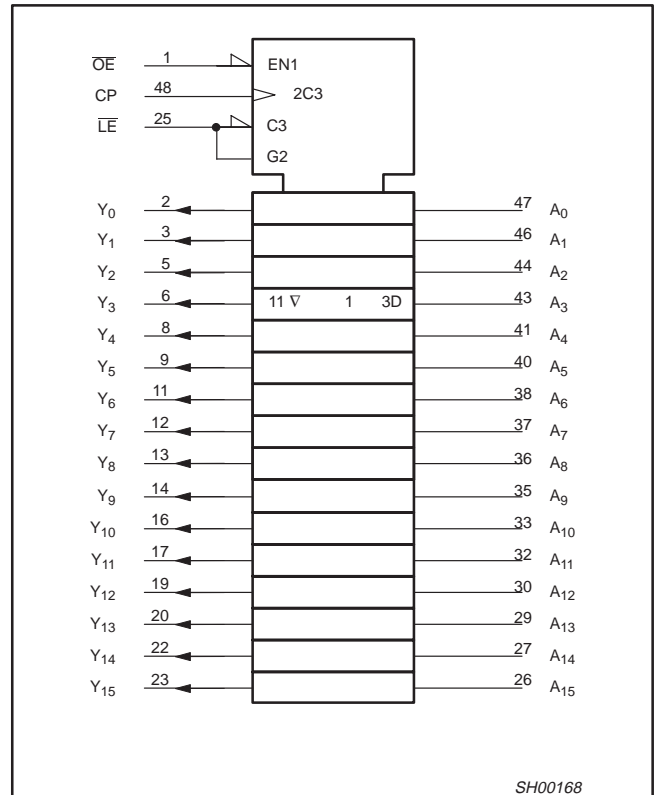
## PIN DESCRIPTION

| PIN NUMBER   | SYMBOL                            | NAME AND FUNCTION                |
|--|-----------------------------------|----------------------------------|
| 24   | NC                                | No connection                    |
| 2, 3, 5, 6, 8, 9, 11, 12, 13, 14, 16, 17, 19, 20, 22, 23       | Y <sub>0</sub> to Y <sub>15</sub> | Data outputs                     |
| 4, 10, 15, 21, 28, 34, 39, 45                                  | GND                               | Ground (0 V)                     |
| 7, 18, 31, 42  | V <sub>CC</sub>                   | Positive supply voltage          |
| 1  | $\overline{OE}$                   | Output enable input (active LOW) |
| 25   | $\overline{LE}$                   | Latch enable input (active LOW)  |
| 48   | CLK                               | Clock input                      |
| 47, 46, 44, 43, 41, 40, 38, 37, 36, 35, 33, 32, 30, 29, 27, 26 | A <sub>0</sub> to A <sub>15</sub> | Data inputs                      |

## LOGIC SYMBOL



## LOGIC SYMBOL (IEEE/IEC)



## FUNCTION TABLE

| INPUTS          |                 |        |   | OUTPUTS                     |
|-----------------|-----------------|--------|---|-----------------------------|
| $\overline{OE}$ | $\overline{LE}$ | CLK    | A |                             |
| H               | X               | X      | X | Z                           |
| L               | L               | X      | L | L                           |
| L               | L               | X      | H | H                           |
| L               | H               | ↑      | L | L                           |
| L               | H               | ↑      | H | H                           |
| L               | H               | L or H | X | Y <sub>0</sub> <sup>1</sup> |

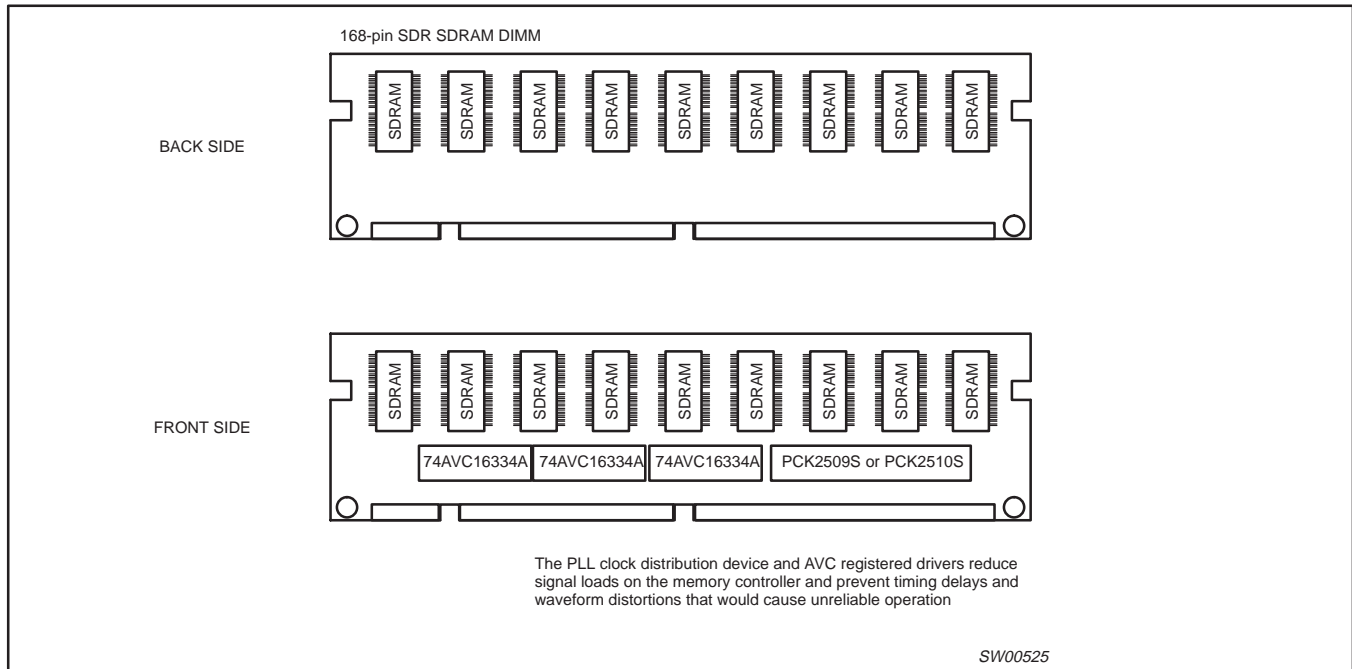
- H = HIGH voltage level
- L = LOW voltage level
- X = Don't care
- Z = High impedance "off" state
- ↑ = LOW-to-HIGH level transition

### NOTE:

- Output level before the indicated steady-state input conditions were established.

# 16-bit registered driver with inverted register enable and Dynamic Controlled Outputs™ (3-State)

74AVC16334A



## RECOMMENDED OPERATING CONDITIONS

| SYMBOL     | PARAMETER   | CONDITIONS   | MIN                | MAX                | UNIT |
|------------|---|--|--------------------|--------------------|------|
| $V_{CC}$   | DC supply voltage<br>(according to JEDEC Low Voltage Standards) |  | 1.65<br>2.3<br>3.0 | 1.95<br>2.7<br>3.6 | V    |
| $V_{CC}$   | DC supply voltage (for low voltage applications)                |  | 1.2                | 3.6                | V    |
| $V_I$      | DC Input voltage range  |  | 0                  | 3.6                | V    |
| $V_O$      | DC output voltage range; output 3-State                         |  | 0                  | 3.6                | V    |
|            | DC output voltage range; output HIGH or LOW state               |  | 0                  | $V_{CC}$           |      |
| $T_{amb}$  | Operating free-air temperature range                            |  | -40                | +85                | °C   |
| $t_r, t_f$ | Input rise and fall times                                       | $V_{CC} = 1.65$ to $2.3$ V<br>$V_{CC} = 2.3$ to $3.0$ V<br>$V_{CC} = 3.0$ to $3.6$ V | 0<br>0<br>0        | 30<br>20<br>10     | ns/V |

## ABSOLUTE MAXIMUM RATINGS

In accordance with the Absolute Maximum Rating System (IEC 134). Voltages are referenced to GND (ground = 0 V).

| SYMBOL            | PARAMETER  | CONDITIONS   | RATING                 | UNIT |
|-------------------|--|--|------------------------|------|
| $V_{CC}$          | DC supply voltage  |  | -0.5 to +4.6           | V    |
| $I_{IK}$          | DC input diode current   | $V_I < 0$  | -50                    | mA   |
| $V_I$             | DC input voltage   | For data inputs <sup>1</sup>   | -0.5 to 4.6            | V    |
| $I_{OK}$          | DC output diode current  | $V_O > V_{CC}$ or $V_O < 0$  | ±50                    | mA   |
| $V_O$             | DC output voltage; output 3-State                                    | Note 1   | -0.5 to 4.6            | V    |
| $V_O$             | DC output voltage; output HIGH or LOW state                          | Note 1   | -0.5 to $V_{CC} + 0.5$ | V    |
| $I_O$             | DC output source or sink current                                     | $V_O = 0$ to $V_{CC}$  | ±50                    | mA   |
| $I_{GND}, I_{CC}$ | DC $V_{CC}$ or GND current   |  | ±100                   | mA   |
| $T_{stg}$         | Storage temperature range  |  | -65 to +150            | °C   |
| $P_{TOT}$         | Power dissipation per package<br>-plastic thin-medium-shrink (TSSOP) | For temperature range: -40 to +125 °C<br>above +55°C derate linearly with 8 mW/K | 600                    | mW   |

**NOTE:**

1. The input and output voltage ratings may be exceeded if the input and output current ratings are observed.

# 16-bit registered driver with inverted register enable and Dynamic Controlled Outputs™ (3-State)

74AVC16334A

## DC ELECTRICAL CHARACTERISTICS

Over recommended operating conditions. Voltage are referenced to GND (ground = 0 V).

| SYMBOL           | PARAMETER                        | TEST CONDITIONS   | LIMITS                 |                        |                      | UNIT |
|------------------|----------------------------------|---|------------------------|------------------------|----------------------|------|
|                  |                                  |   | Temp = -40°C to +85°C  |                        |                      |      |
|                  |                                  |   | MIN                    | TYP <sup>1</sup>       | MAX                  |      |
| V <sub>IH</sub>  | HIGH level Input voltage         | V <sub>CC</sub> = 1.2 V   | V <sub>CC</sub>        | –                      | –                    | V    |
|                  |                                  | V <sub>CC</sub> = 1.65 to 1.95 V  | 0.65 V <sub>CC</sub>   | 0.9                    | –                    |      |
|                  |                                  | V <sub>CC</sub> = 2.3 to 2.7 V  | 1.7                    | 1.2                    | –                    |      |
|                  |                                  | V <sub>CC</sub> = 3.0 to 3.6 V  | 2.0                    | 1.5                    | –                    |      |
| V <sub>IL</sub>  | LOW level Input voltage          | V <sub>CC</sub> = 1.2 V   | –                      | –                      | GND                  | V    |
|                  |                                  | V <sub>CC</sub> = 1.65 to 1.95 V  | –                      | 0.9                    | 0.35 V <sub>CC</sub> |      |
|                  |                                  | V <sub>CC</sub> = 2.3 to 2.7 V  | –                      | 1.2                    | 0.7                  |      |
|                  |                                  | V <sub>CC</sub> = 3.0 to 3.6 V  | –                      | 1.5                    | 0.8                  |      |
| V <sub>OH</sub>  | HIGH level output voltage        | V <sub>CC</sub> = 1.65 to 3.6 V; V <sub>I</sub> = V <sub>IH</sub> or V <sub>IL</sub> ; I <sub>O</sub> = -100 μA                   | V <sub>CC</sub> - 0.20 | V <sub>CC</sub>        | –                    | V    |
|                  |                                  | V <sub>CC</sub> = 1.65 V; V <sub>I</sub> = V <sub>IH</sub> or V <sub>IL</sub> ; I <sub>O</sub> = -4 mA                            | V <sub>CC</sub> - 0.45 | V <sub>CC</sub> - 0.10 | –                    |      |
|                  |                                  | V <sub>CC</sub> = 2.3 V; V <sub>I</sub> = V <sub>IH</sub> or V <sub>IL</sub> ; I <sub>O</sub> = -8 mA                             | V <sub>CC</sub> - 0.55 | V <sub>CC</sub> - 0.28 | –                    |      |
|                  |                                  | V <sub>CC</sub> = 3.0 V; V <sub>I</sub> = V <sub>IH</sub> or V <sub>IL</sub> ; I <sub>O</sub> = -12 mA                            | V <sub>CC</sub> - 0.70 | V <sub>CC</sub> - 0.32 | –                    |      |
| V <sub>OL</sub>  | LOW level output voltage         | V <sub>CC</sub> = 1.65 to 3.6 V; V <sub>I</sub> = V <sub>IH</sub> or V <sub>IL</sub> ; I <sub>O</sub> = 100 μA                    | –                      | GND                    | 0.20                 | V    |
|                  |                                  | V <sub>CC</sub> = 1.65 V; V <sub>I</sub> = V <sub>IH</sub> or V <sub>IL</sub> ; I <sub>O</sub> = 4 mA                             | –                      | 0.10                   | 0.45                 |      |
|                  |                                  | V <sub>CC</sub> = 2.3 V; V <sub>I</sub> = V <sub>IH</sub> or V <sub>IL</sub> ; I <sub>O</sub> = 8 mA                              | –                      | 0.26                   | 0.55                 |      |
|                  |                                  | V <sub>CC</sub> = 3.0 V; V <sub>I</sub> = V <sub>IH</sub> or V <sub>IL</sub> ; I <sub>O</sub> = 12 mA                             | –                      | 0.36                   | 0.70                 |      |
| I <sub>I</sub>   | Input leakage current            | V <sub>CC</sub> = 3.6 V;<br>V <sub>I</sub> = V <sub>CC</sub> or GND   | –                      | 0.1                    | 2.5                  | μA   |
| I <sub>OFF</sub> | 3-State output OFF-state current | V <sub>CC</sub> = 0 V; V <sub>I</sub> or V <sub>O</sub> = 3.6 V   | –                      | 0.1                    | ± 10                 | μA   |
| I <sub>OZ</sub>  | 3-State output OFF-state current | V <sub>CC</sub> = 1.65 to 2.7 V; V <sub>I</sub> = V <sub>IH</sub> or V <sub>IL</sub> ;<br>V <sub>O</sub> = V <sub>CC</sub> or GND | –                      | 0.1                    | 5                    | μA   |
|                  |                                  | V <sub>CC</sub> = 3.0 to 3.6 V; V <sub>I</sub> = V <sub>IH</sub> or V <sub>IL</sub> ;<br>V <sub>O</sub> = V <sub>CC</sub> or GND  | –                      | 0.1                    | 10                   |      |
| I <sub>CC</sub>  | Quiescent supply current         | V <sub>CC</sub> = 1.65 to 2.7 V; V <sub>I</sub> = V <sub>CC</sub> or GND; I <sub>O</sub> = 0                                      | –                      | 0.1                    | 20                   | μA   |
|                  |                                  | V <sub>CC</sub> = 3.0 to 3.6 V; V <sub>I</sub> = V <sub>CC</sub> or GND; I <sub>O</sub> = 0                                       | –                      | 0.2                    | 40                   |      |

### NOTE:

1. All typical values are at T<sub>amb</sub> = 25°C.

# 16-bit registered driver with inverted register enable and Dynamic Controlled Outputs™ (3-State)

74AVC16334A

## AC CHARACTERISTICS

GND = 0 V;  $t_r = t_f \leq 2.0$  ns;  $C_L = 30$  pF

| SYMBOL            | PARAMETER                                  | WAVEFORM | LIMITS                   |                  |     |                          |                  |     |                           |                  |     |                          |     |                  | UNIT |
|-------------------|--|----------|--------------------------|------------------|-----|--------------------------|------------------|-----|---------------------------|------------------|-----|--------------------------|-----|------------------|------|
|                   |  |          | $V_{CC} = 3.3 \pm 0.3$ V |                  |     | $V_{CC} = 2.5 \pm 0.2$ V |                  |     | $V_{CC} = 1.8 \pm 0.15$ V |                  |     | $V_{CC} = 1.5 \pm 0.1$ V |     | $V_{CC} = 1.2$ V |      |
|                   |  |          | MIN                      | TYP <sup>1</sup> | MAX | MIN                      | TYP <sup>1</sup> | MAX | MIN                       | TYP <sup>1</sup> | MAX | MIN                      | MAX | TYP              |      |
| $t_{PHL}/t_{PLH}$ | Propagation delay<br>An to Yn              | 1        | 0.7                      | 1.5              | 2.6 | 0.8                      | 1.7              | 3.0 | 1.0                       | 2.5              | 4.4 | 1.7                      | 5.3 | 5.0              | ns   |
|                   | Propagation delay<br>$\overline{LE}$ to Yn | 2        | 0.7                      | 1.6              | 3.2 | 1.0                      | 2.0              | 3.3 | 1.2                       | 2.7              | 4.8 | 1.7                      | 6.0 | 5.3              |      |
|                   | Propagation delay<br>CP to Yn              | 3        | 0.7                      | 1.6              | 2.8 | 0.8                      | 1.7              | 3.0 | 1.0                       | 2.3              | 3.9 | 1.4                      | 4.6 | 4.1              |      |
| $t_{PZH}/t_{PZL}$ | 3-State output<br>enable time<br>OE to Yn  | 6        | 0.7                      | 1.7              | 3.4 | 1.0                      | 2.2              | 3.8 | 1.5                       | 3.1              | 5.3 | 2.0                      | 6.7 | 6.0              | ns   |
| $t_{PHZ}/t_{PLZ}$ | 3-State output<br>disable time<br>OE to Yn | 6        | 1.0                      | 2.1              | 3.7 | 0.9                      | 2.0              | 3.9 | 1.5                       | 3.7              | 6.5 | 1.7                      | 7.1 | 6.1              | ns   |
| $t_w$             | CP pulse width<br>HIGH or LOW              | 3        | 1.0                      | –                | –   | 1.2                      | –                | –   | 2.0                       | –                | –   | –                        | –   | –                | ns   |
|                   | $\overline{LE}$ pulse width<br>LOW         | 2        | 1.0                      | –                | –   | 1.2                      | –                | –   | 2.0                       | –                | –   | –                        | –   | –                |      |
| $t_{SU}$          | Set-up time<br>An to CP                    | 5        | 0.2                      | –0.1             | –   | 0.1                      | –0.1             | –   | 0.1                       | –0.1             | –   | 0.1                      | –   | 0.0              | ns   |
|                   | Set-up time<br>An to $\overline{LE}$       | 4        | 0.4                      | 0.1              | –   | 0.5                      | 0.1              | –   | 0.8                       | 0.3              | –   | 1.2                      | –   | 1.0              |      |
| $t_h$             | Hold time<br>An to CP                      | 5        | 0.6                      | 0.2              | –   | 0.6                      | 0.2              | –   | 0.6                       | 0.2              | –   | 0.6                      | –   | 0.1              | ns   |
|                   | Hold time<br>An to $\overline{LE}$         | 4        | 0.4                      | 0.1              | –   | 0.4                      | 0.1              | –   | 0.3                       | 0.1              | –   | 0.3                      | –   | –0.4             |      |
| $f_{max}$         | Maximum clock<br>pulse frequency           | 3        | 500                      | –                | –   | 400                      | –                | –   | 250                       | –                | –   | –                        | –   | –                | MHz  |

### NOTE:

1. All typical values are measured at  $T_{amb} = 25^\circ\text{C}$  and at  $V_{CC} = 1.8$  V, 2.5 V, 3.3 V.

# 16-bit registered driver with inverted register enable and Dynamic Controlled Outputs™ (3-State)

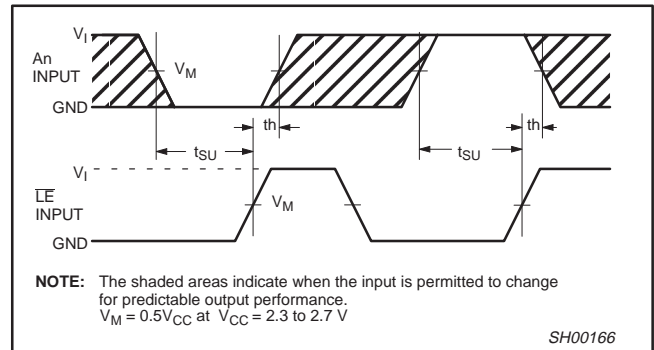
74AVC16334A

## AC WAVEFORMS FOR $V_{CC} = 3.0\text{ V TO }3.6\text{ V RANGE}$

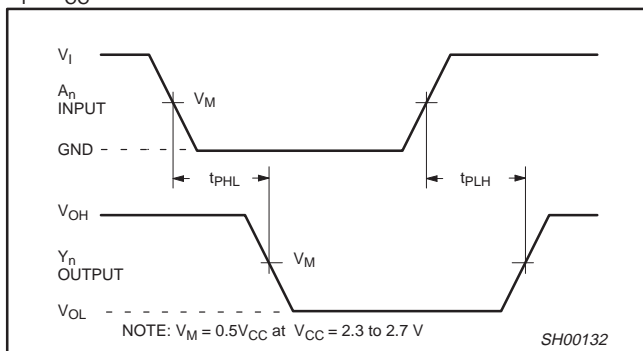
$V_M = 0.5 V_{CC}$   
 $V_X = V_{OL} + 0.300\text{ V}$   
 $V_Y = V_{OH} - 0.300\text{ V}$   
 $V_{OL}$  and  $V_{OH}$  are the typical output voltage drop that occur with the output load.  
 $V_I = V_{CC}$

## AC WAVEFORMS FOR $V_{CC} = 2.3\text{ V TO }2.7\text{ V AND }V_{CC} < 2.3\text{ V RANGE}$

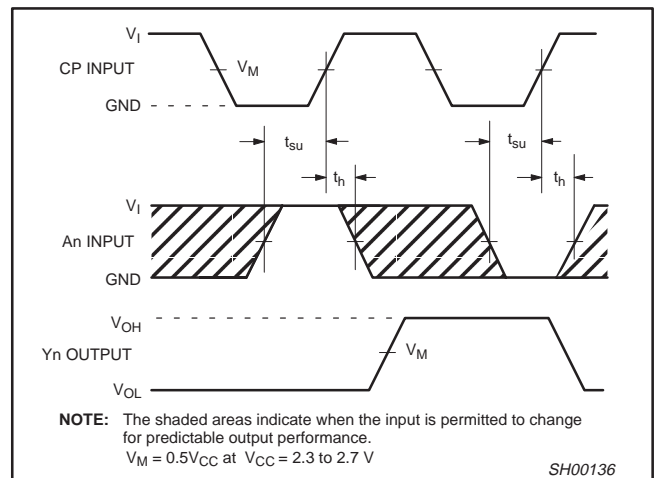
$V_M = 0.5 V_{CC}$   
 $V_X = V_{OL} + 0.15\text{ V}$   
 $V_Y = V_{OH} - 0.15\text{ V}$   
 $V_{OL}$  and  $V_{OH}$  are the typical output voltage drop that occur with the output load.  
 $V_I = V_{CC}$



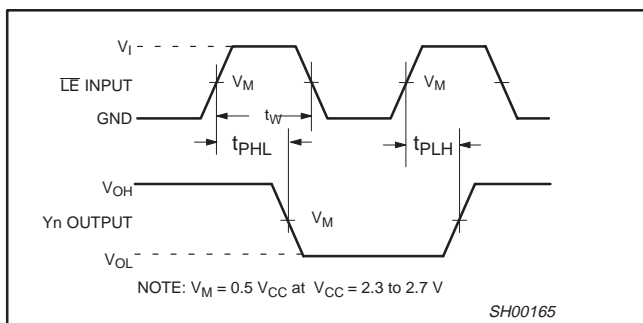
**Waveform 4. Data set-up and hold times for the An input to the LE input**



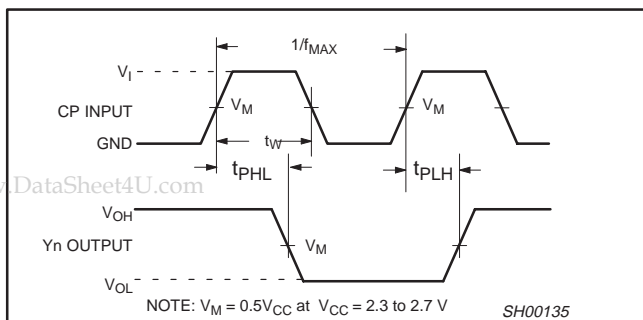
**Waveform 1. Input (An) to output (Yn) propagation delay**



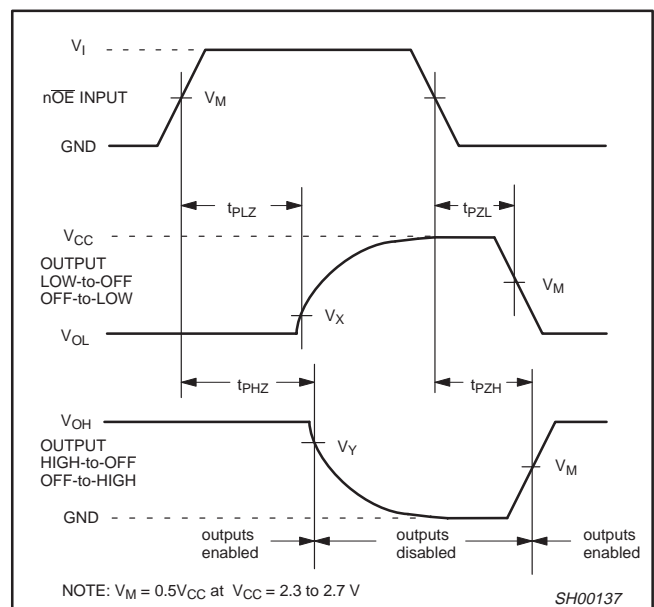
**Waveform 5. Data set-up and hold times for the An input to the clock CP input**



**Waveform 2. Latch enable input (LE) pulse width, the latch enable input to output (Yn) propagation delays.**



**Waveform 3. The clock (CP) to Yn propagation delays, the clock pulse width and the maximum clock frequency.**



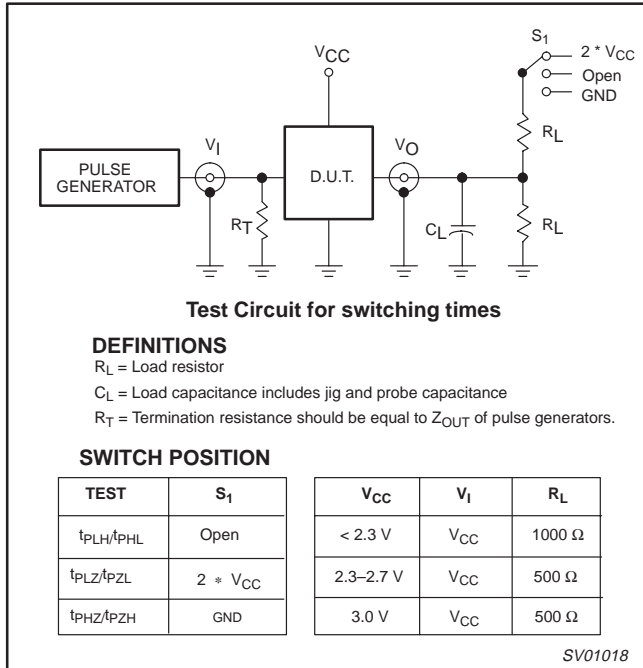
**Waveform 6. 3-State enable and disable times**

www.DataSheet4U.com

# 16-bit registered driver with inverted register enable and Dynamic Controlled Outputs™ (3-State)

74AVC16334A

## TEST CIRCUIT



Waveform 7. Load circuitry for switching times

## GRAPHS

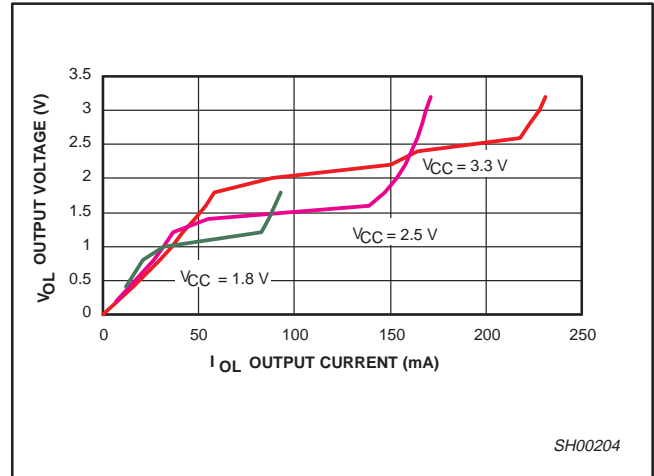


Figure 1. Output voltage ( $V_{OL}$ ) vs. output current ( $I_{OL}$ )

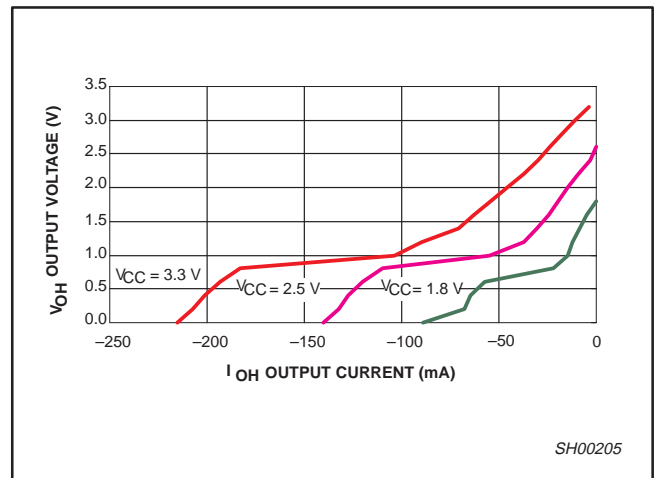


Figure 2. Output voltage ( $V_{OH}$ ) vs. output current ( $I_{OH}$ )

A Dynamic Controlled Output (DCO) circuit is designed in. During the transition, it initially lowers the output impedance to effectively drive the load and, subsequently, raises the impedance to reduce noise. Figures 1 and 2 show  $V_{OL}$  vs.  $I_{OL}$  and  $V_{OH}$  vs.  $I_{OH}$  curves to illustrate the output impedance and drive capability of the circuit. At the beginning of the signal transition, the DCO circuit provides a maximum dynamic drive that is equivalent to a high drive standard output device.

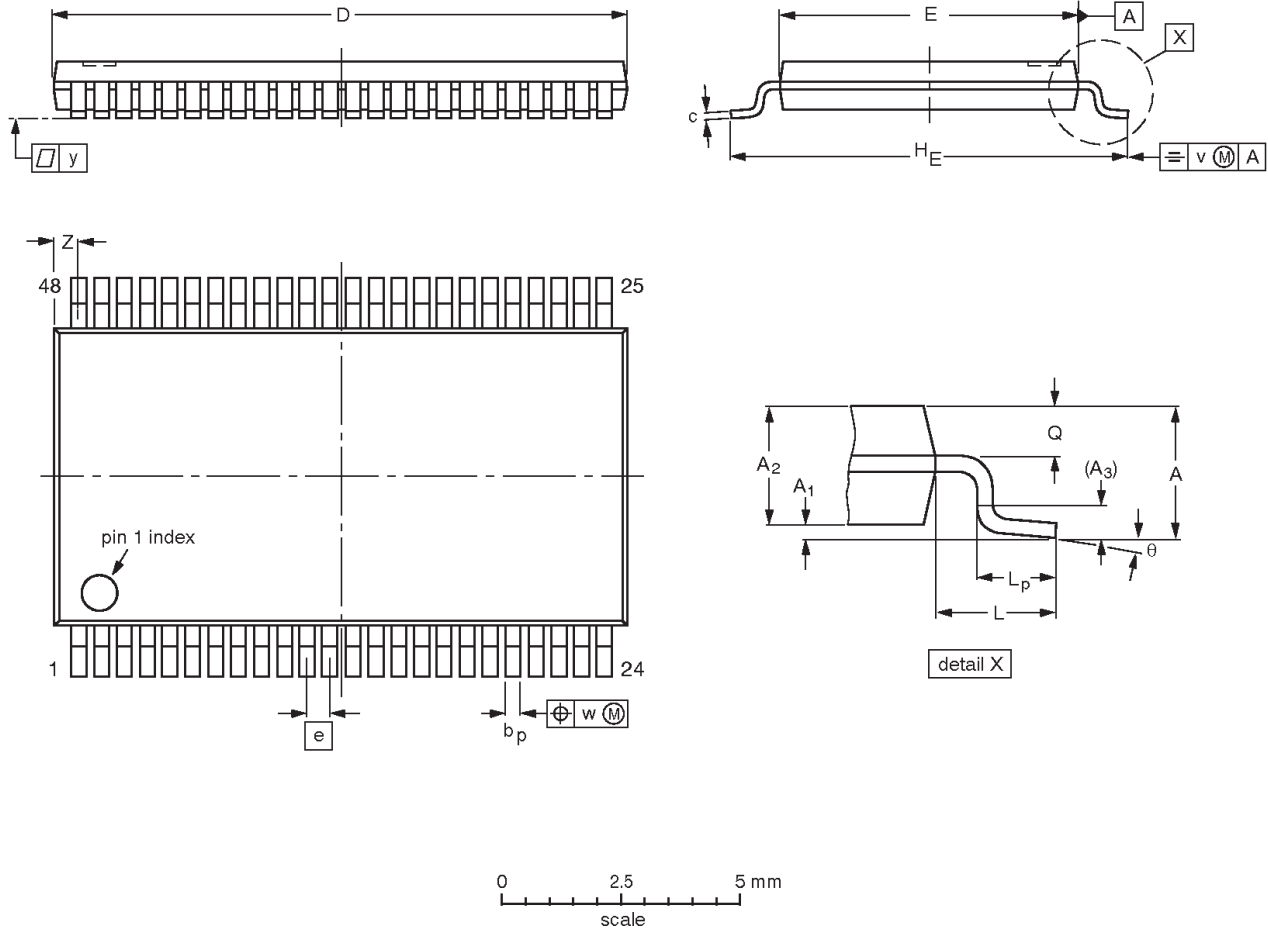


# 16-bit registered driver with inverted register enable and Dynamic Controlled Outputs™ (3-State)

## 74AVC16334A

**TSSOP48:** plastic thin shrink small outline package; 48 leads; body width 6.1mm

**SOT362-1**



**DIMENSIONS (mm are the original dimensions).**

| UNIT | A max. | A <sub>1</sub> | A <sub>2</sub> | A <sub>3</sub> | b <sub>p</sub> | c          | D <sup>(1)</sup> | E <sup>(2)</sup> | e   | H <sub>E</sub> | L | L <sub>p</sub> | Q            | v    | w    | y   | Z          | θ        |
|------|--------|----------------|----------------|----------------|----------------|------------|------------------|------------------|-----|----------------|---|----------------|--------------|------|------|-----|------------|----------|
| mm   | 1.2    | 0.15<br>0.05   | 1.05<br>0.85   | 0.25           | 0.28<br>0.17   | 0.2<br>0.1 | 12.6<br>12.4     | 6.2<br>6.0       | 0.5 | 8.3<br>7.9     | 1 | 0.8<br>0.4     | 0.50<br>0.35 | 0.25 | 0.08 | 0.1 | 0.8<br>0.4 | 8°<br>0° |

**Notes**

1. Plastic or metal protrusions of 0.15 mm maximum per side are not included.
2. Plastic interlead protrusions of 0.25 mm maximum per side are not included.

| OUTLINE VERSION | REFERENCES |          |      |  | EUROPEAN PROJECTION | ISSUE DATE           |
|-----------------|------------|----------|------|--|---------------------|----------------------|
|                 | IEC        | JEDEC    | EIAJ |  |                     |                      |
| SOT362-1        |            | MO-153ED |      |  |                     | 93-02-03<br>95-02-10 |

# 16-bit registered driver with inverted register enable and Dynamic Controlled Outputs™ (3-State)

74AVC16334A

## Data sheet status

| Data sheet status         | Product status | Definition [1]   |
|---------------------------|----------------|--|
| Objective specification   | Development    | This data sheet contains the design target or goal specifications for product development. Specification may change in any manner without notice.  |
| Preliminary specification | Qualification  | This data sheet contains preliminary data, and supplementary data will be published at a later date. Philips Semiconductors reserves the right to make changes at any time without notice in order to improve design and supply the best possible product. |
| Product specification     | Production     | This data sheet contains final specifications. Philips Semiconductors reserves the right to make changes at any time without notice in order to improve design and supply the best possible product.   |

[1] Please consult the most recently issued datasheet before initiating or completing a design.

## Definitions

**Short-form specification** — The data in a short-form specification is extracted from a full data sheet with the same type number and title. For detailed information see the relevant data sheet or data handbook.

**Limiting values definition** — Limiting values given are in accordance with the Absolute Maximum Rating System (IEC 134). Stress above one or more of the limiting values may cause permanent damage to the device. These are stress ratings only and operation of the device at these or at any other conditions above those given in the Characteristics sections of the specification is not implied. Exposure to limiting values for extended periods may affect device reliability.

**Application information** — Applications that are described herein for any of these products are for illustrative purposes only. Philips Semiconductors make no representation or warranty that such applications will be suitable for the specified use without further testing or modification.

## Disclaimers

**Life support** — These products are not designed for use in life support appliances, devices or systems where malfunction of these products can reasonably be expected to result in personal injury. Philips Semiconductors customers using or selling these products for use in such applications do so at their own risk and agree to fully indemnify Philips Semiconductors for any damages resulting from such application.

**Right to make changes** — Philips Semiconductors reserves the right to make changes, without notice, in the products, including circuits, standard cells, and/or software, described or contained herein in order to improve design and/or performance. Philips Semiconductors assumes no responsibility or liability for the use of any of these products, conveys no license or title under any patent, copyright, or mask work right to these products, and makes no representations or warranties that these products are free from patent, copyright, or mask work right infringement, unless otherwise specified.

Philips Semiconductors  
811 East Arques Avenue  
P.O. Box 3409  
Sunnyvale, California 94088–3409  
Telephone 800-234-7381

© Copyright Philips Electronics North America Corporation 2000  
All rights reserved. Printed in U.S.A.

Date of release: 08-00

Document order number:

9397-750 07394

[www.DataSheet4U.com](http://www.DataSheet4U.com)

*Let's make things better.*

Philips  
Semiconductors



**PHILIPS**  
[www.DataSheet4U.com](http://www.DataSheet4U.com)